

[54] EYE GLASSES

[76] Inventor: Pierre Berthet-Bondet, Izernore, France, 01580

[**] Term: 14 Years

[21] Appl. No.: 778,469

[22] Filed: Sep. 20, 1985

[30] Foreign Application Priority Data

Apr. 18, 1985 [FR] France 85.1772

[52] U.S. Cl. D16/102; D16/112

[58] Field of Search D16/102-123; 351/41, 44-48, 51-53, 56, 60, 83, 85, 87, 88-93, 95, 102-109, 114, 123, 127, 156

[56] References Cited

U.S. PATENT DOCUMENTS

- D. 133,171 7/1942 Bernheim 2/12 X
- D. 147,168 7/1947 Villanueva D16/108
- D. 273,794 5/1984 Markovitz D16/112
- 2,136,679 11/1938 Euler 351/90
- 2,359,435 10/1944 Miller, Jr. 2/12
- 4,102,566 7/1978 Shelton 351/131

FOREIGN PATENT DOCUMENTS

- 1085988 2/1955 France 351/41

OTHER PUBLICATIONS

Hong Kong Enterprise 9/1983, p. 124, eyeglasses on left of page.

Optometric Monthly, 2/1986, p. 63, Avante Garde Optics ad. model #1240, bottom left of page.

Mannini GN "25 years", catalogue, p. 2, Mod. 70, believed published—1979.

-BBSOL, Lunettes de Soleil, 1983, p. 4, 2824-04 Optamid.

"Solar International," design 80, France, jogging/velo vosges 09-035-091.

Primary Examiner—Susan J. Lucas

Assistant Examiner—C. E. Heflin

Attorney, Agent, or Firm—Dowell & Dowell

[57] CLAIM

The ornamental design for eye glasses, as shown and described.

DESCRIPTION

FIG. 1 is a front elevational view of the eye glasses showing my new design;

FIG. 2 is a rear elevational view thereof;

FIG. 3 is a left side elevational view thereof, the right side being a mirror image.

FIG. 4 is a top plan view thereof; and

FIG. 5 is a bottom plan view thereof.

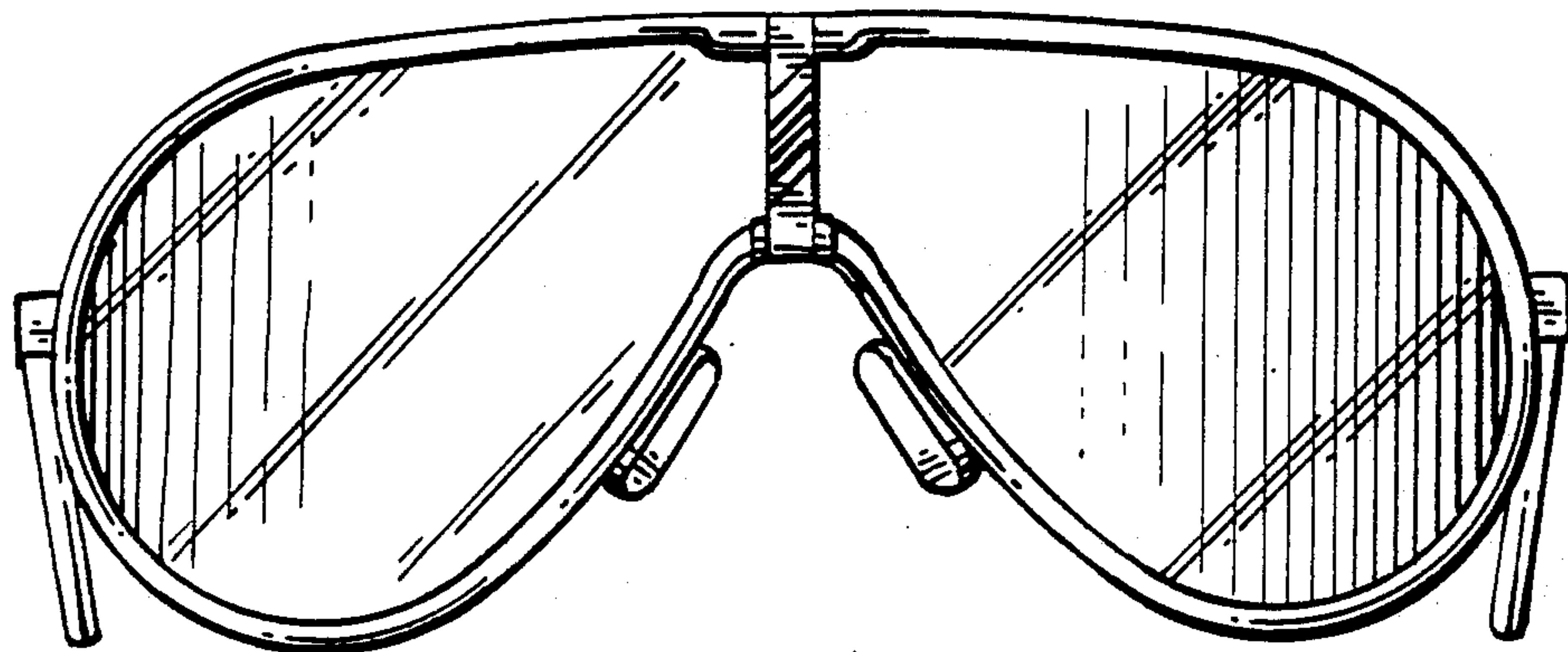


FIG. 1.

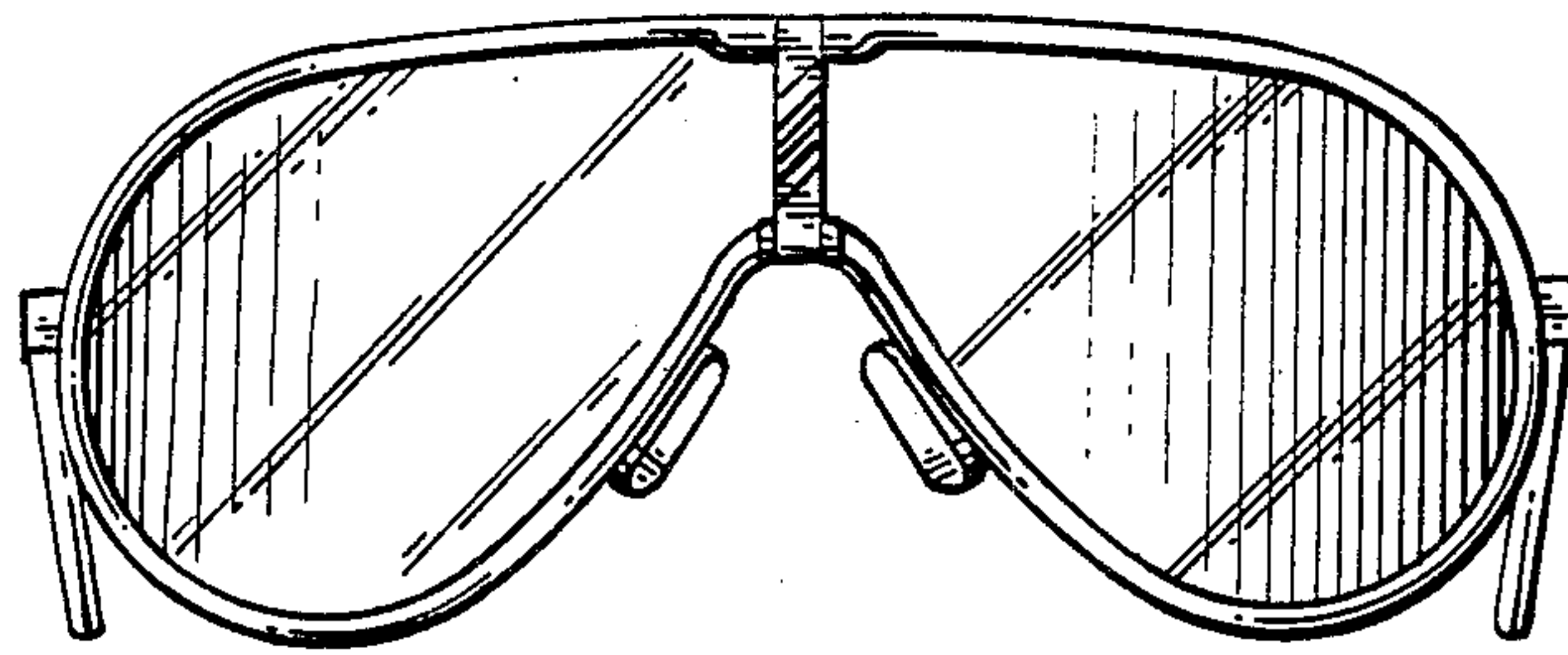


FIG. 2.

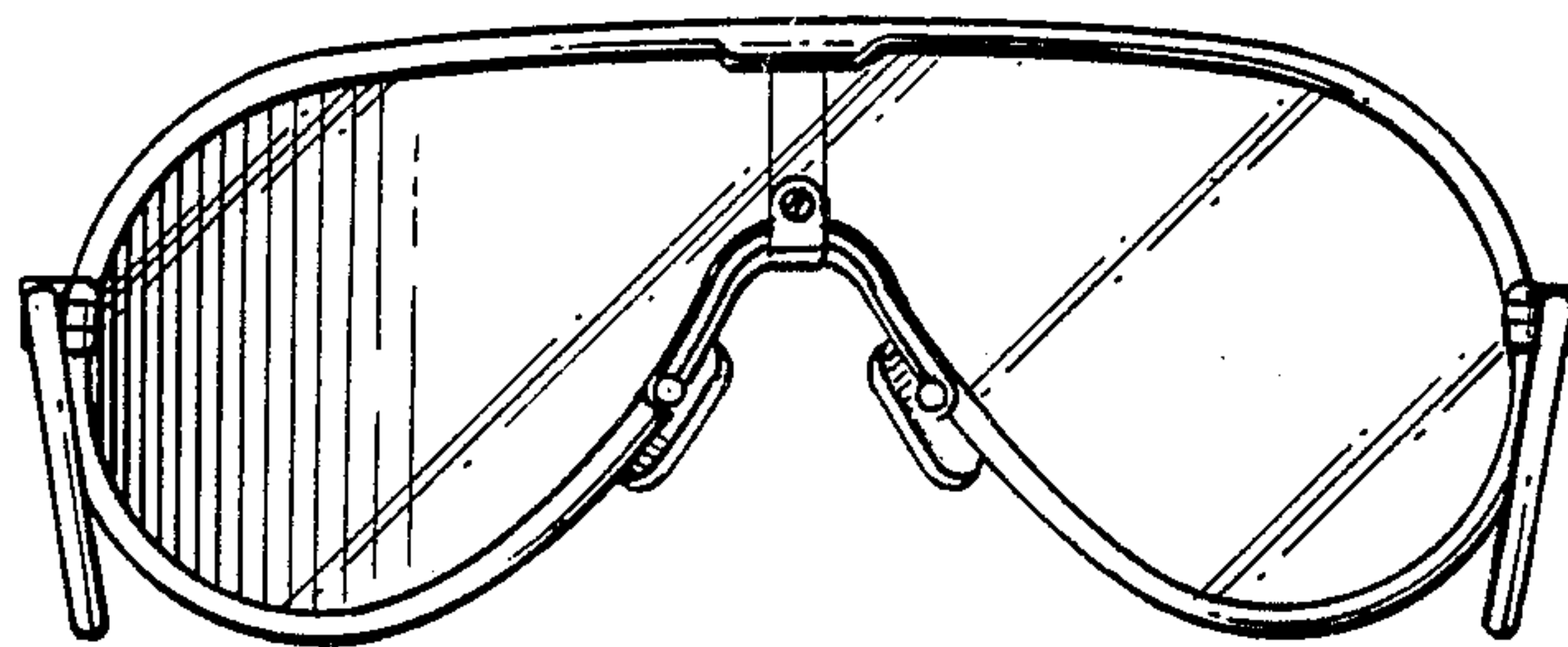


FIG. 3.

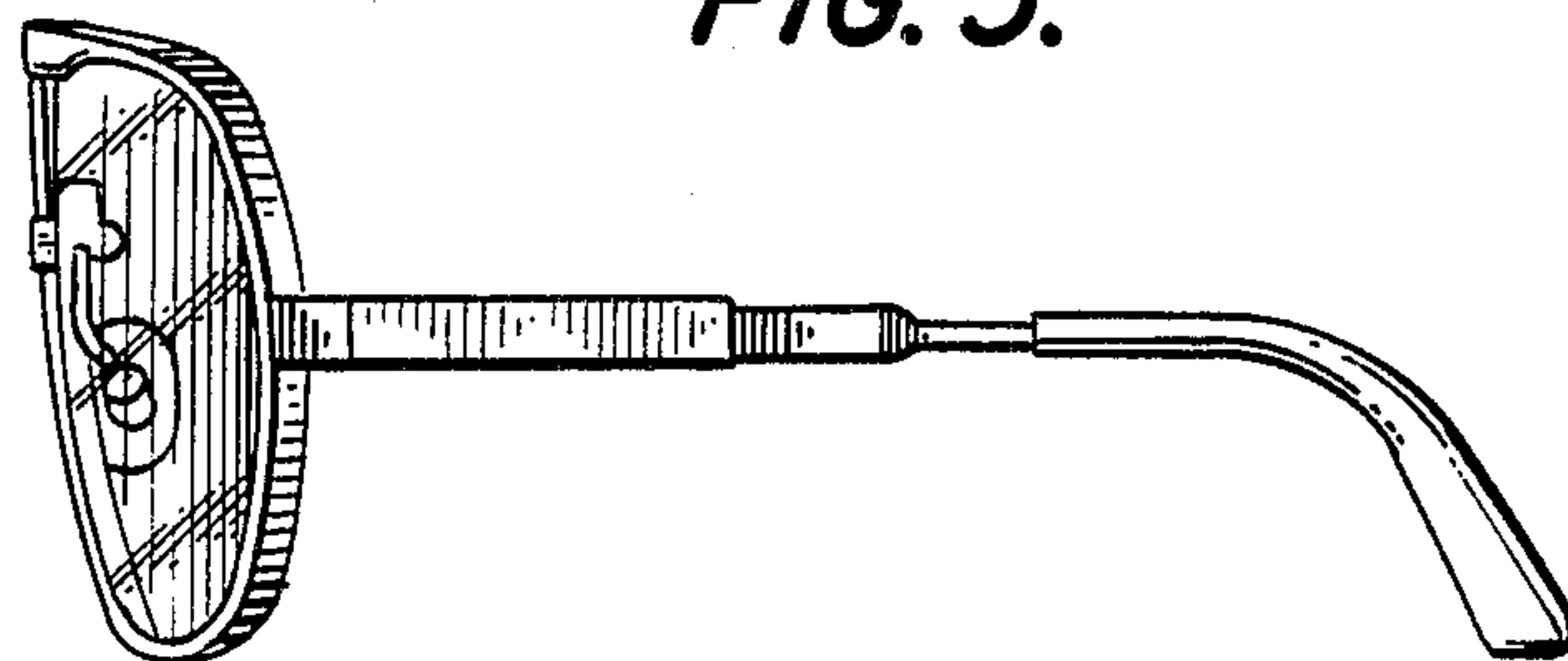


FIG. 4.

FIG. 5.

