

[54] CAMERA

[75] Inventors: Luigi Colani, Sassenberg, Fed. Rep. of Germany; Yoshiaki Sugiyama, Zushi; Tatsuo Konno; Yoichi Tosaka, both of Yokohama; Hiromi Someya, Kawasaki, all of Japan

[73] Assignee: Canon Kabushiki Kaisha, Tokyo, Japan

[**] Term: 14 Years

[21] Appl. No.: 814,975

[22] Filed: Dec. 31, 1985

[30] Foreign Application Priority Data

Jul. 8, 1985 [JP] Japan 60-29010

[52] U.S. Cl. D16/6; D16/1

[58] Field of Search D16/1-10; 354/83-86, 149.11, 152, 173.1, 173.11, 204, 212, 288 A-288 F, 288 M, 288 P, 288 U

[56] References Cited

U.S. PATENT DOCUMENTS

D. 284,287 6/1986 Kato D16/8

D. 288,209 2/1987 Park D16/9

OTHER PUBLICATIONS

35 mm Photography, 6/85, p. 54, Canon T-80. Chinon Brochure, p. 3, bottom right, Chinon CE-4 Memotron.

Primary Examiner—Bernard Ansher
Assistant Examiner—Theodore M. Shooman
Attorney, Agent, or Firm—Fitzpatrick, Cella, Harper & Scinto

CLAIM

[57] The ornamental design for camera, as shown and described.

DESCRIPTION

FIG. 1 is a front elevational view of a camera showing our new design;
FIG. 2 is a rear elevational view thereof;
FIG. 3 is a top plan view thereof;
FIG. 4 is a bottom plan view thereof;
FIG. 5 is a left side elevational view thereof;
FIG. 6 is a right side elevational view thereof; and
FIG. 7 is a top, front and left side perspective view thereof.

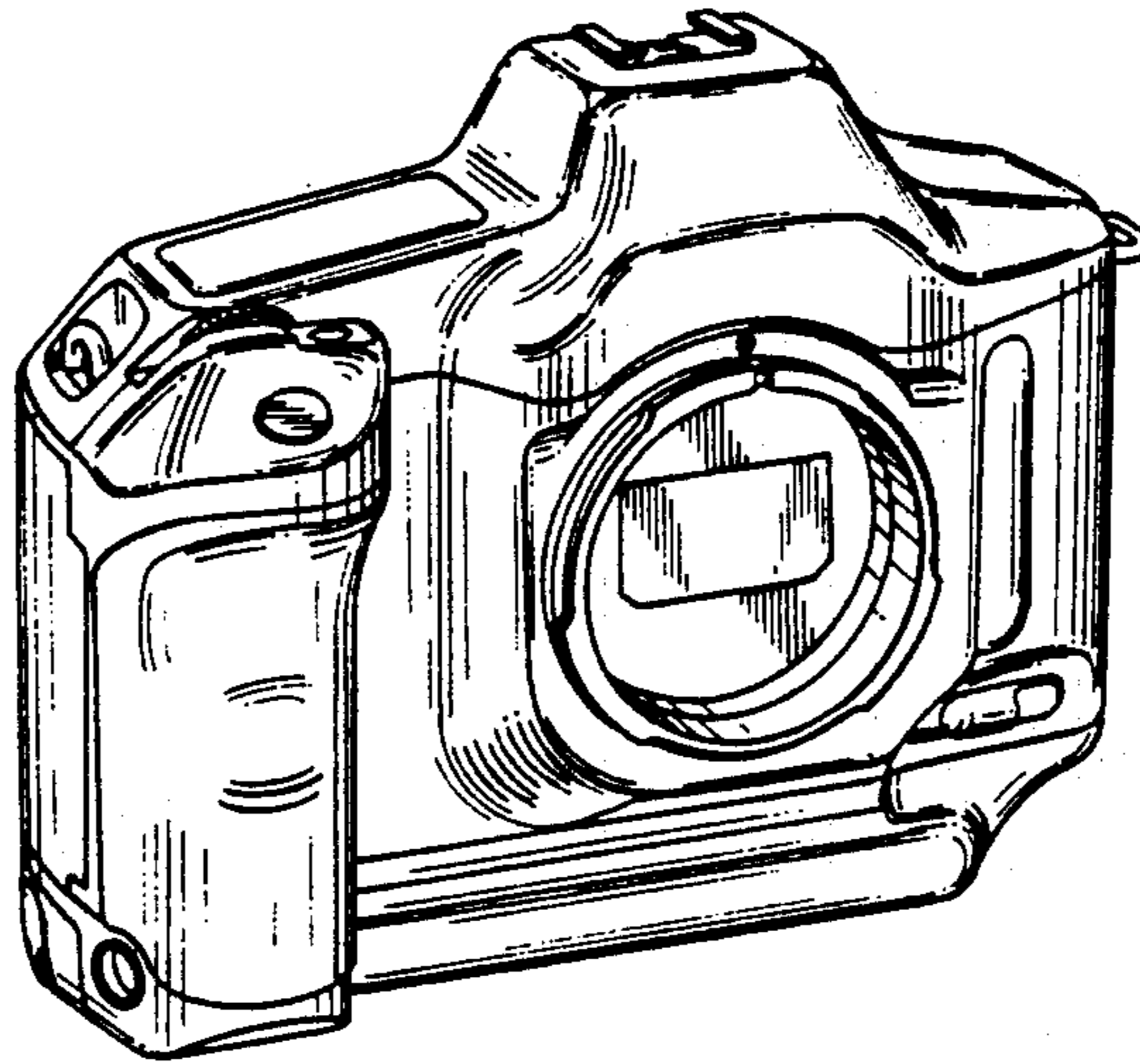


FIG. 1

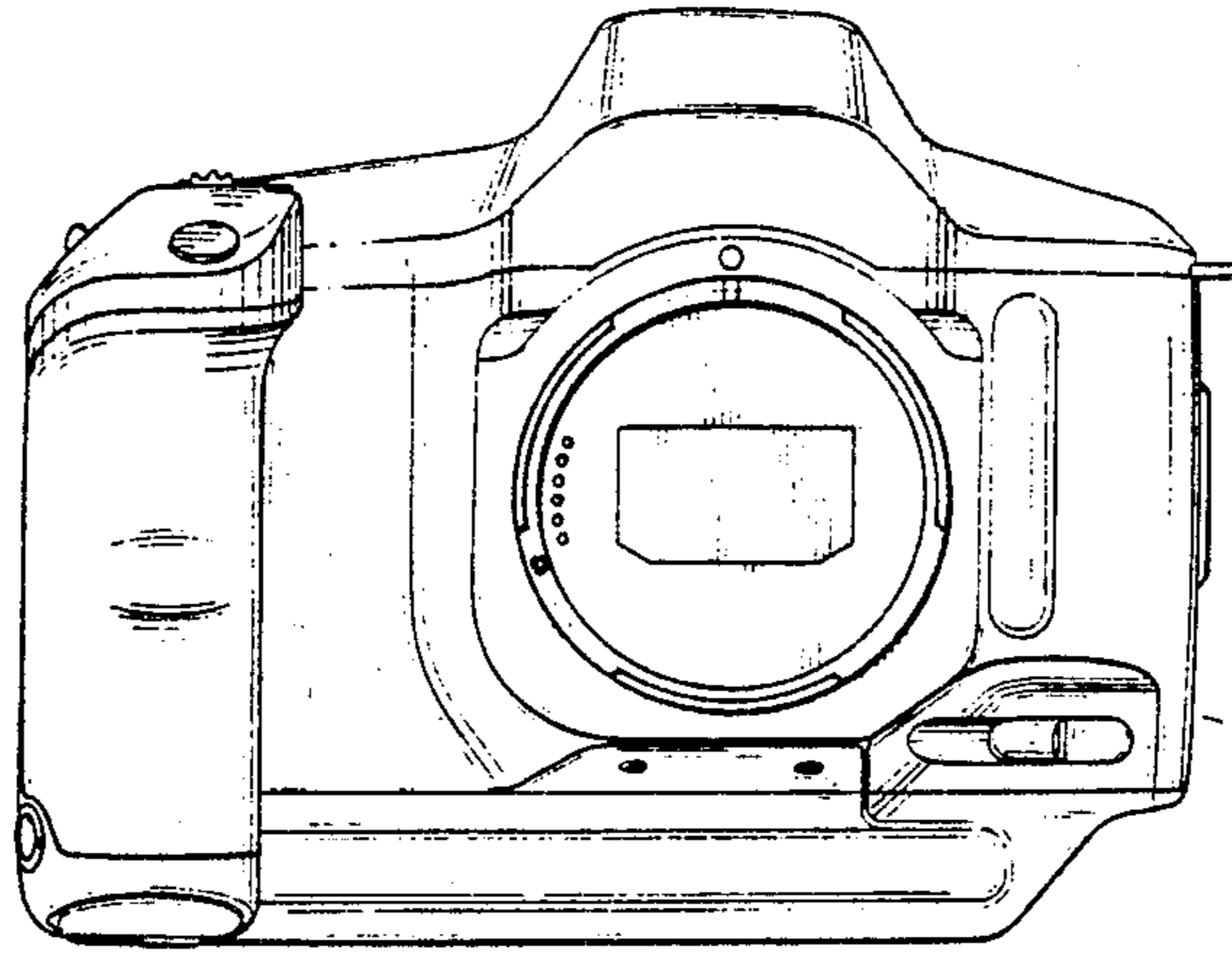


FIG. 2

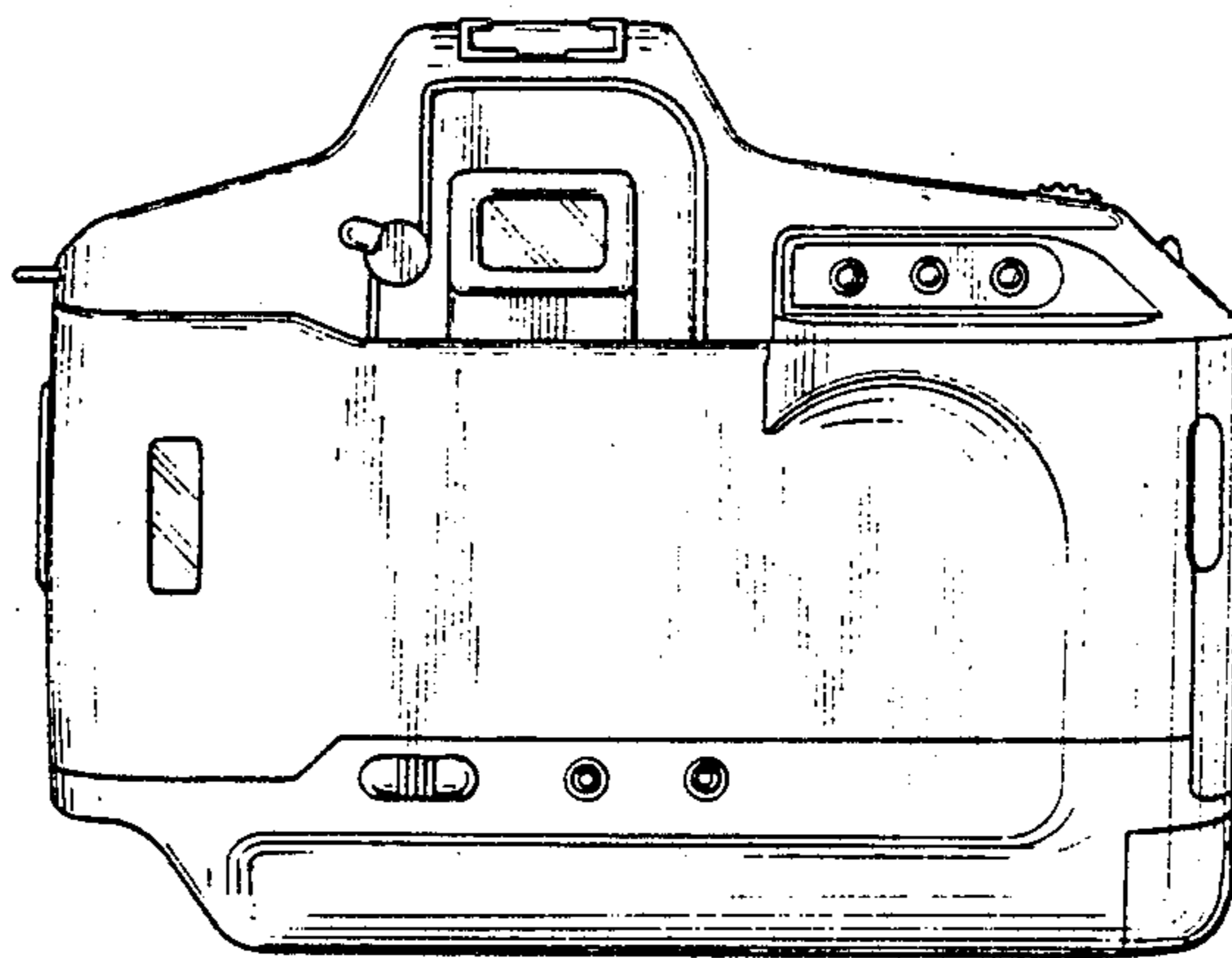


FIG. 3

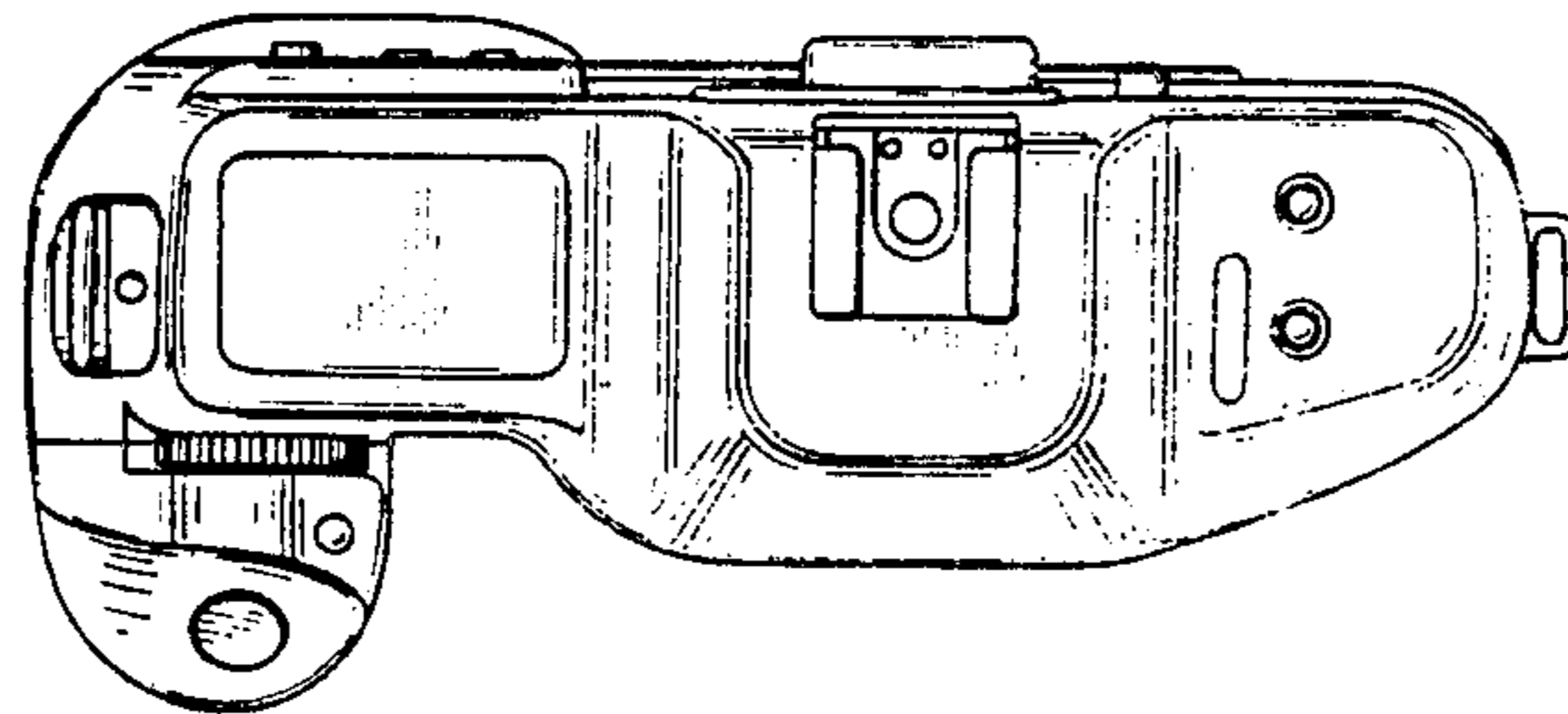


FIG. 4

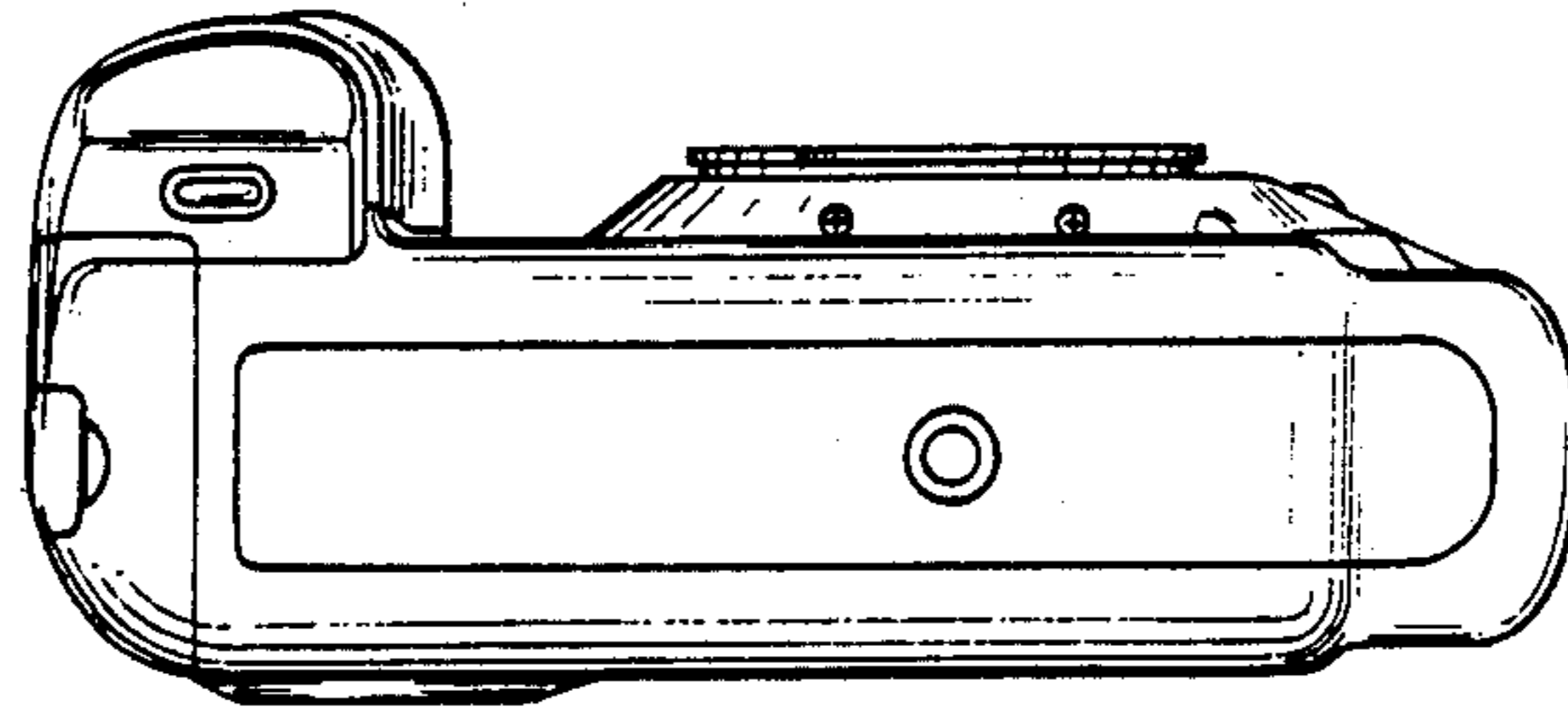


FIG. 5

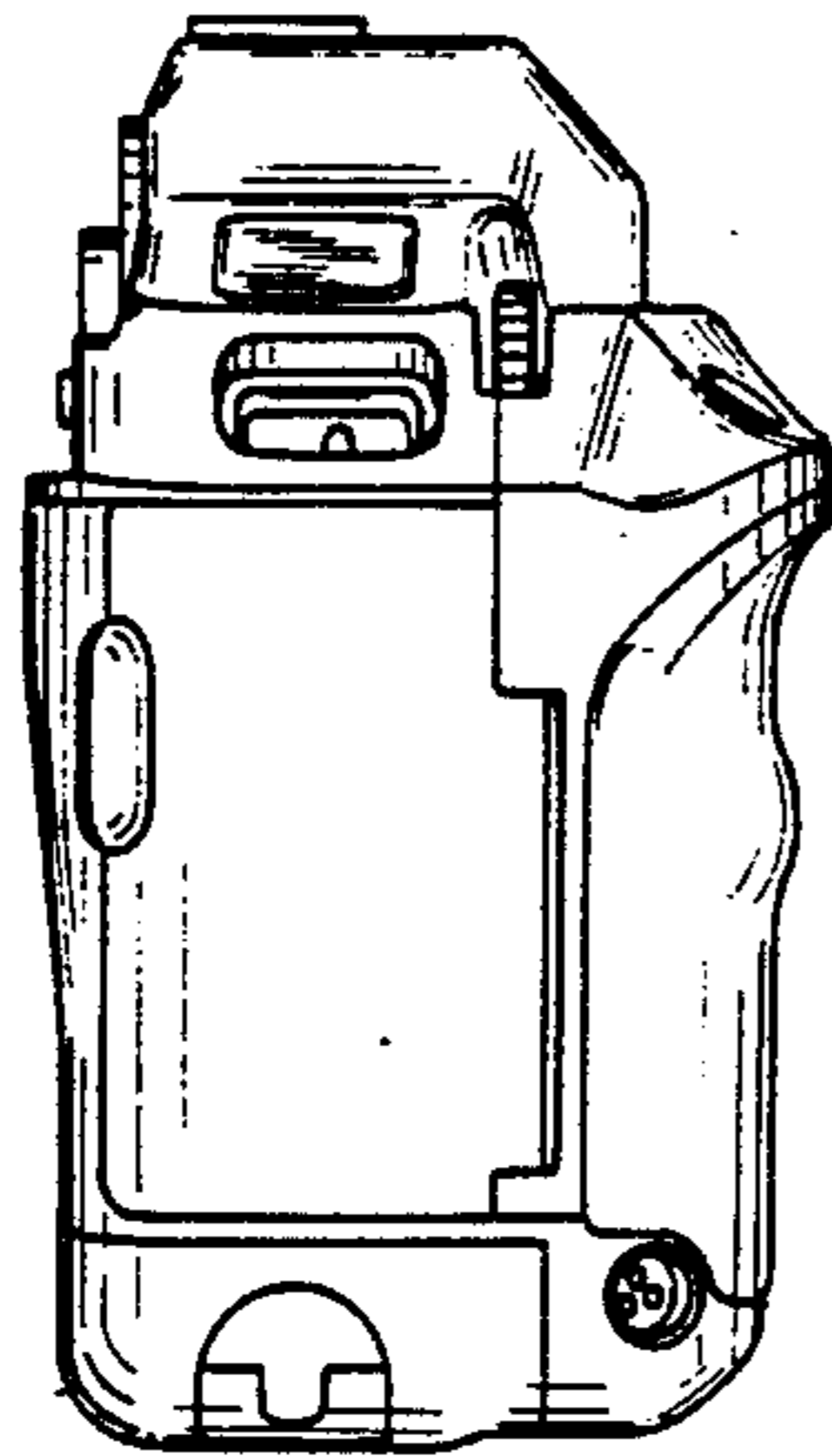


FIG. 6

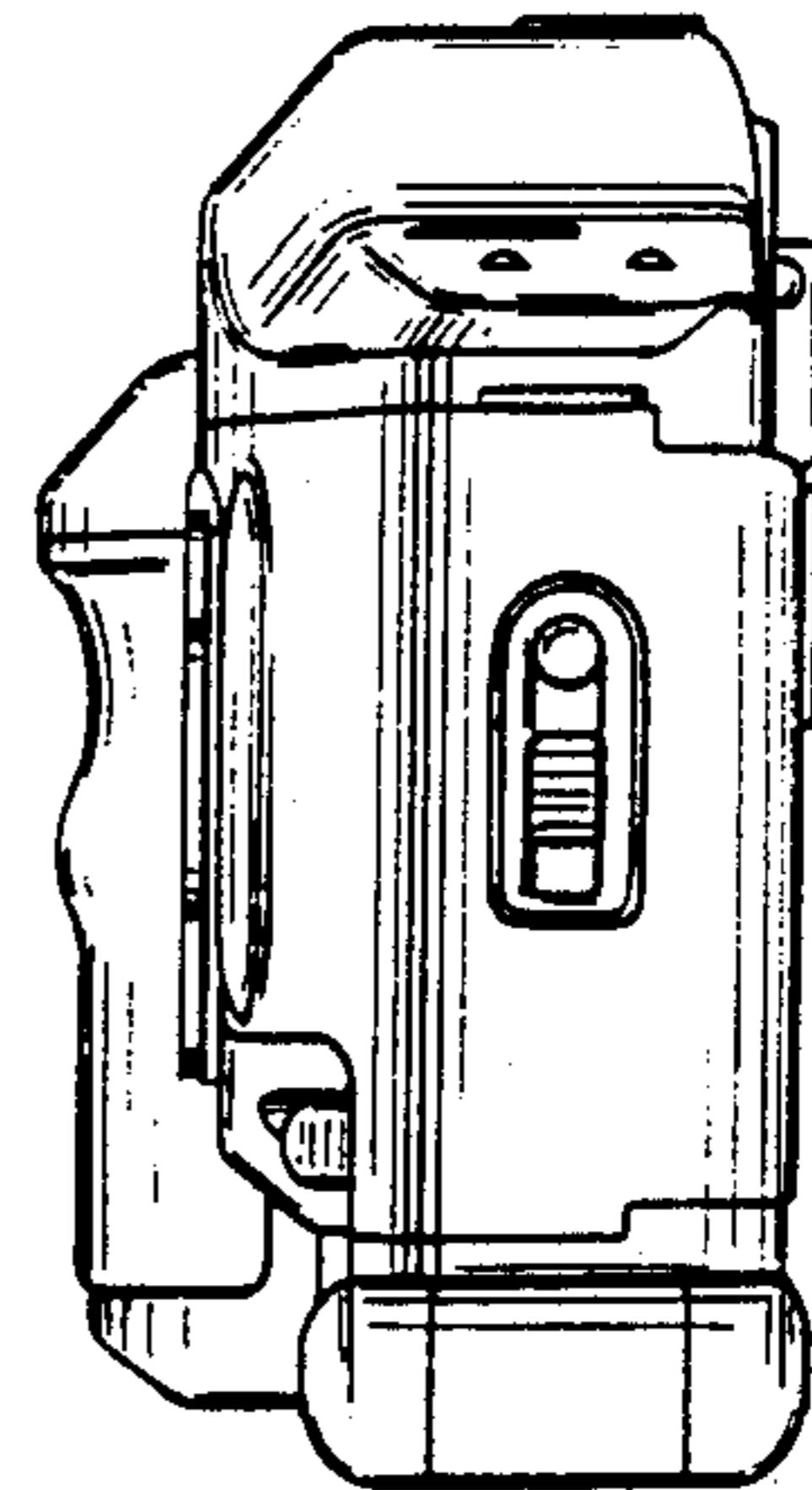


FIG. 7

