

[54] DRAW TUBE ADAPTER

3,746,353 7/1973 Allen 279/1 A

[75] Inventor: Francis M. Drabinski, Elmira Heights, N.Y.

[73] Assignee: Hardinge Brothers, Inc., Elmira, N.Y.

[**] Term: 14 Years

[21] Appl. No.: 670,988

[22] Filed: Nov. 13, 1984

[52] U.S. Cl. D15/140

[58] Field of Search D15/138, 140, 141; 279/1 A, 1 N, 46 R, 51-53; 408/239 R, 239 A, 240; D8/70-71; D23/262, 266

[56] References Cited

U.S. PATENT DOCUMENTS

D. 229,496	12/1973	Hand	D23/262
D. 271,977	12/1983	Baker	D15/140
2,361,683	10/1944	Greenberg	279/1 A
2,432,860	2/1945	Clatfelter	279/1 A
2,478,195	8/1949	Hull	279/1 A

OTHER PUBLICATIONS

Smith Tool International Corp., p. 15, front end.
Smith Tool International Corp., p. 11, Over Spindle Adaptor (OSA).

Primary Examiner—Wallace R. Burke
Assistant Examiner—Ruth Takemoto
Attorney, Agent, or Firm—Shlesinger, Arkwright & Garvey

[57] CLAIM

The ornamental design for a draw tube adapter, as shown and described.

DESCRIPTION

FIG. 1 is a front perspective view of a draw tube adapter, showing my new design;
FIG. 2 is a rear perspective view thereof;
FIG. 3 is a right side elevational view thereof;
FIG. 4 is a left side elevational view thereof;
FIG. 5 is a top plan view thereof; and,
FIG. 6 is a bottom plan view thereof.

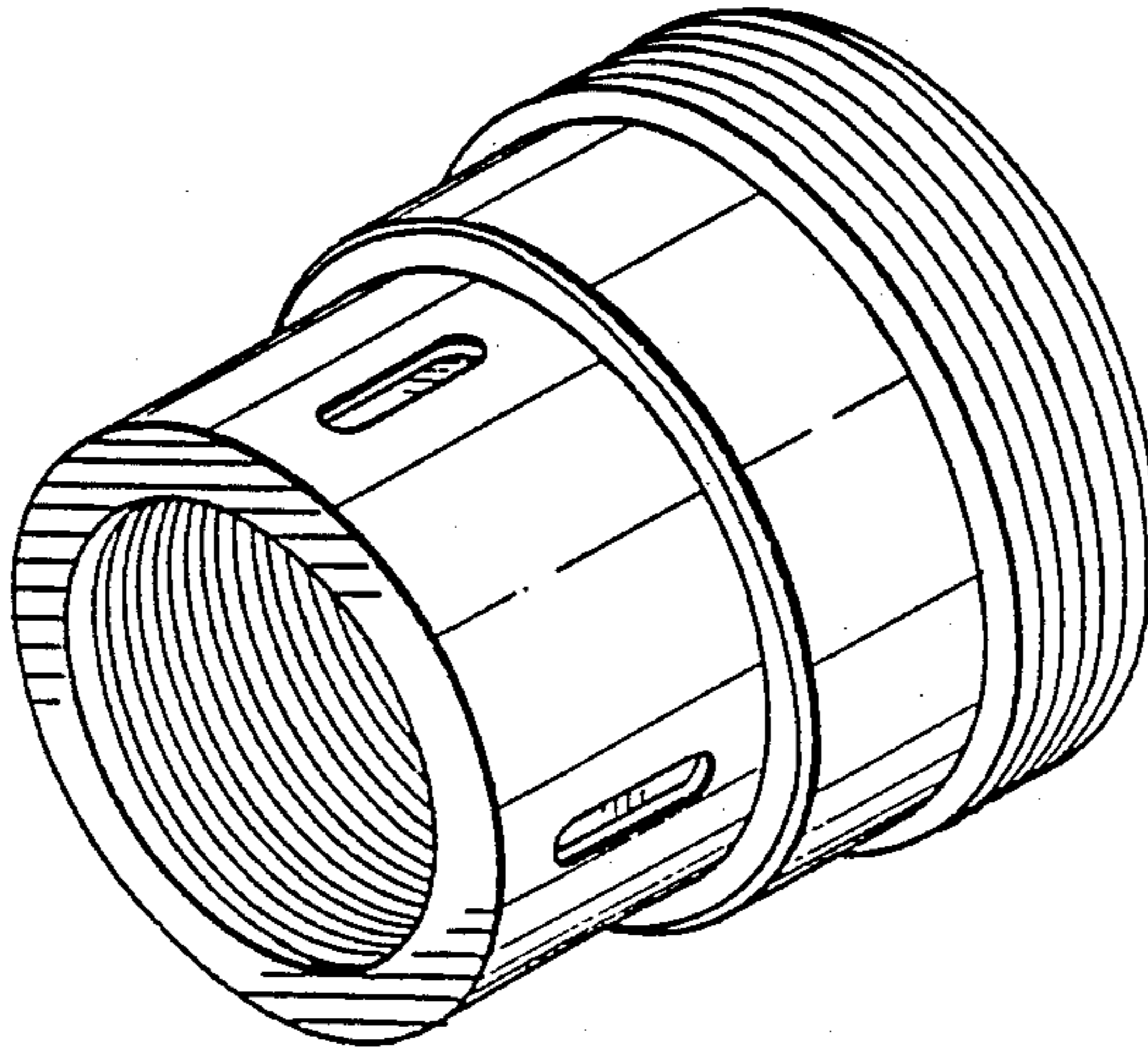


FIG 1

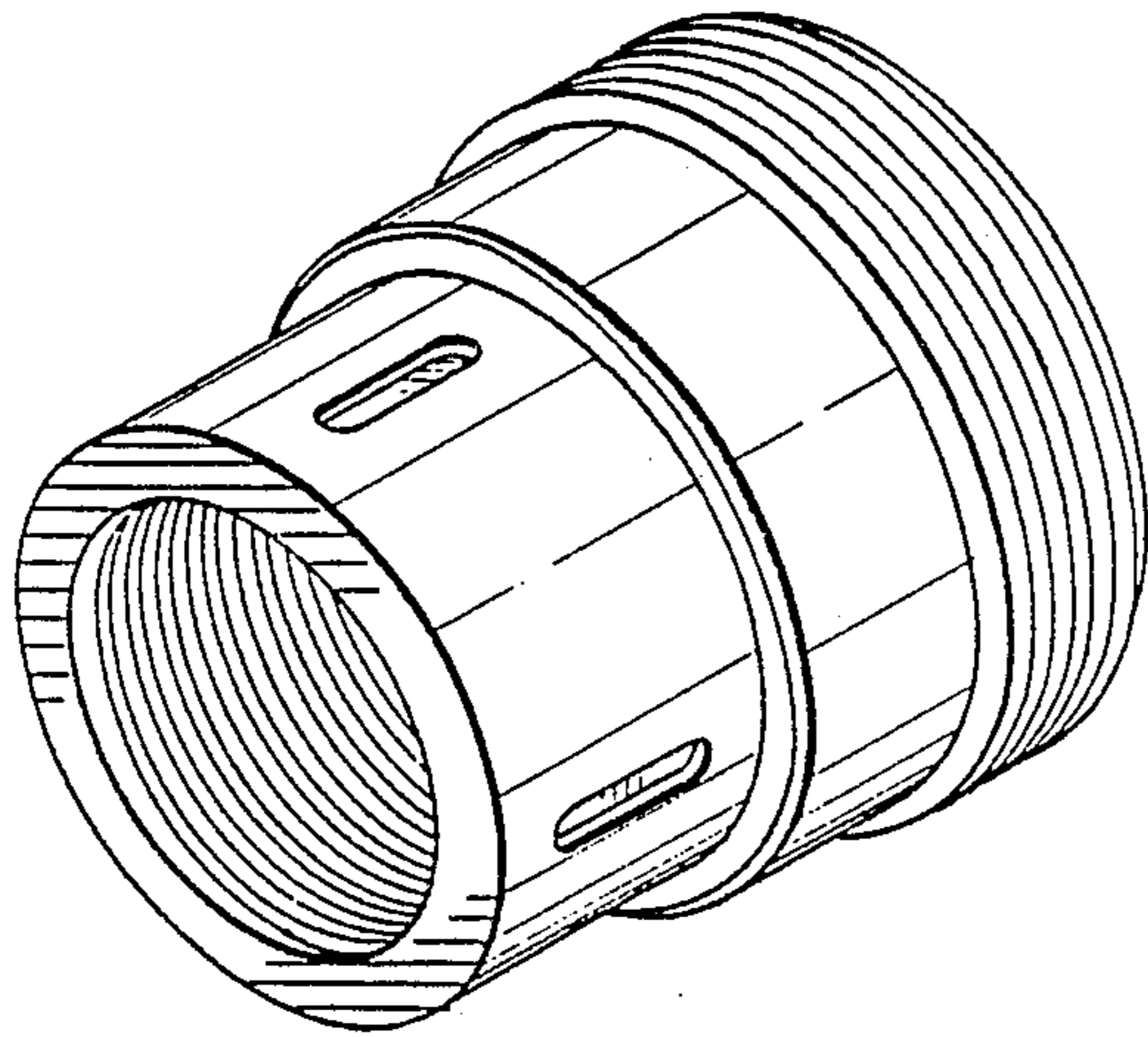


FIG 2

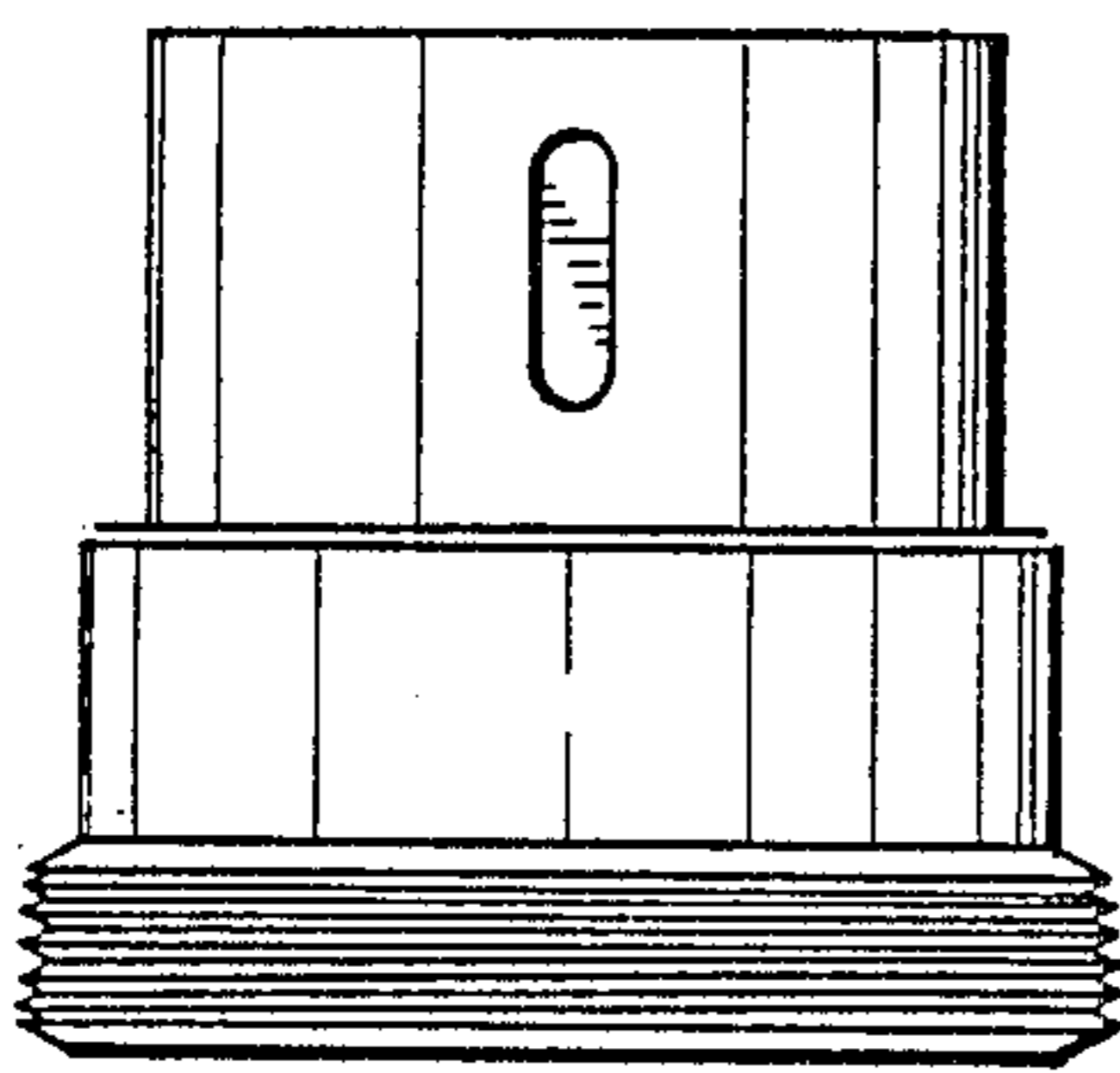
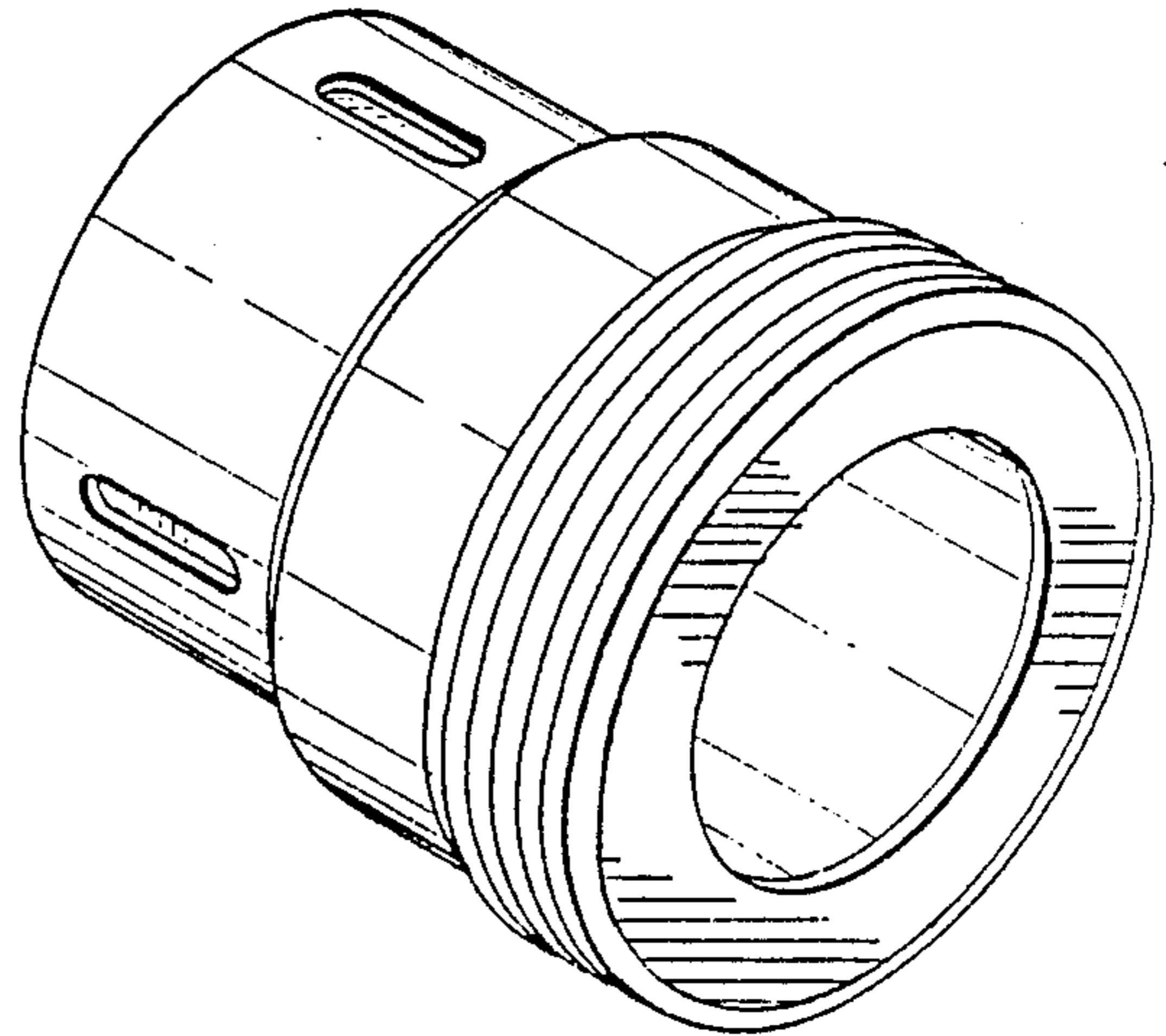


FIG 3

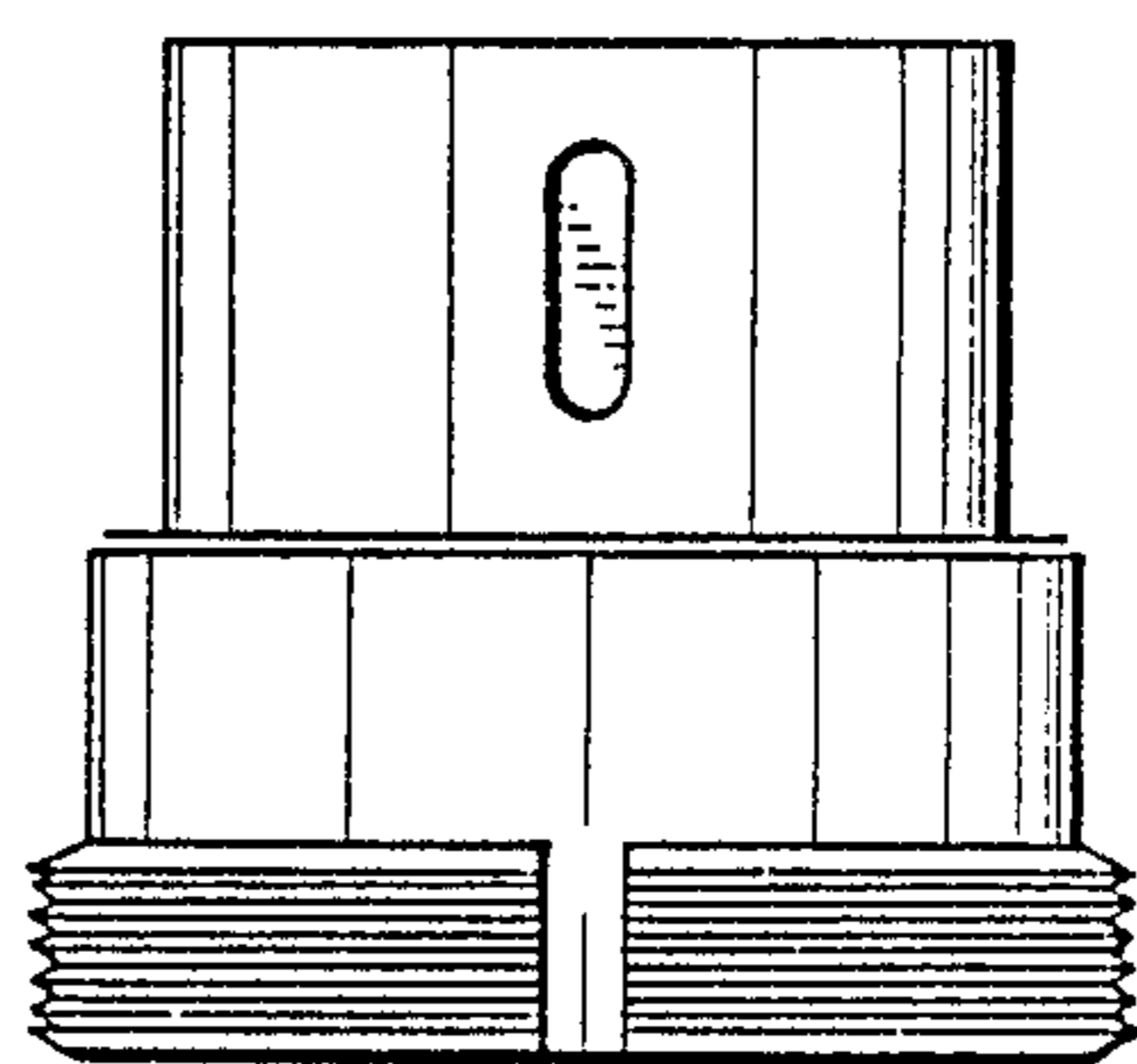


FIG 4

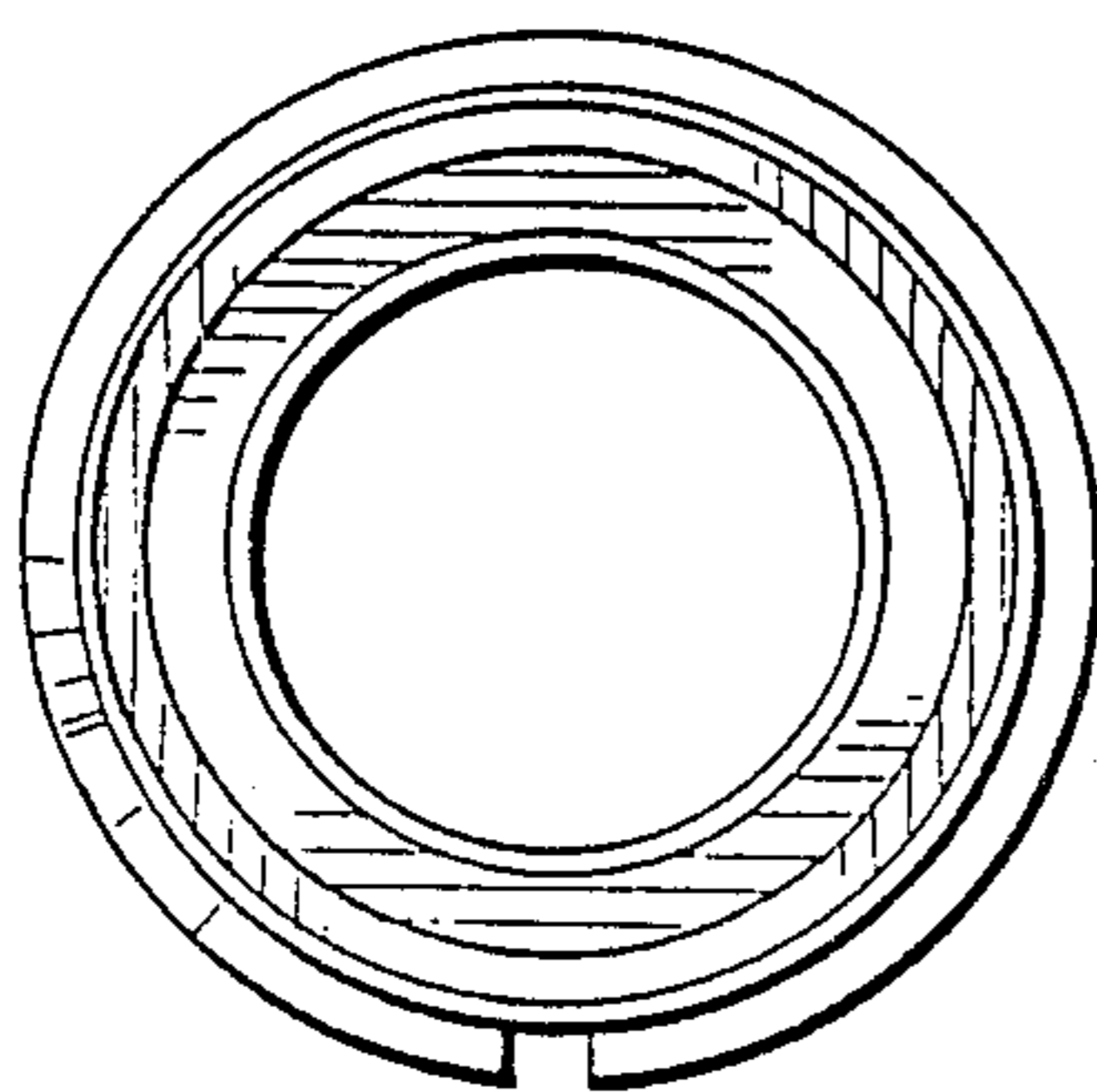


FIG 5

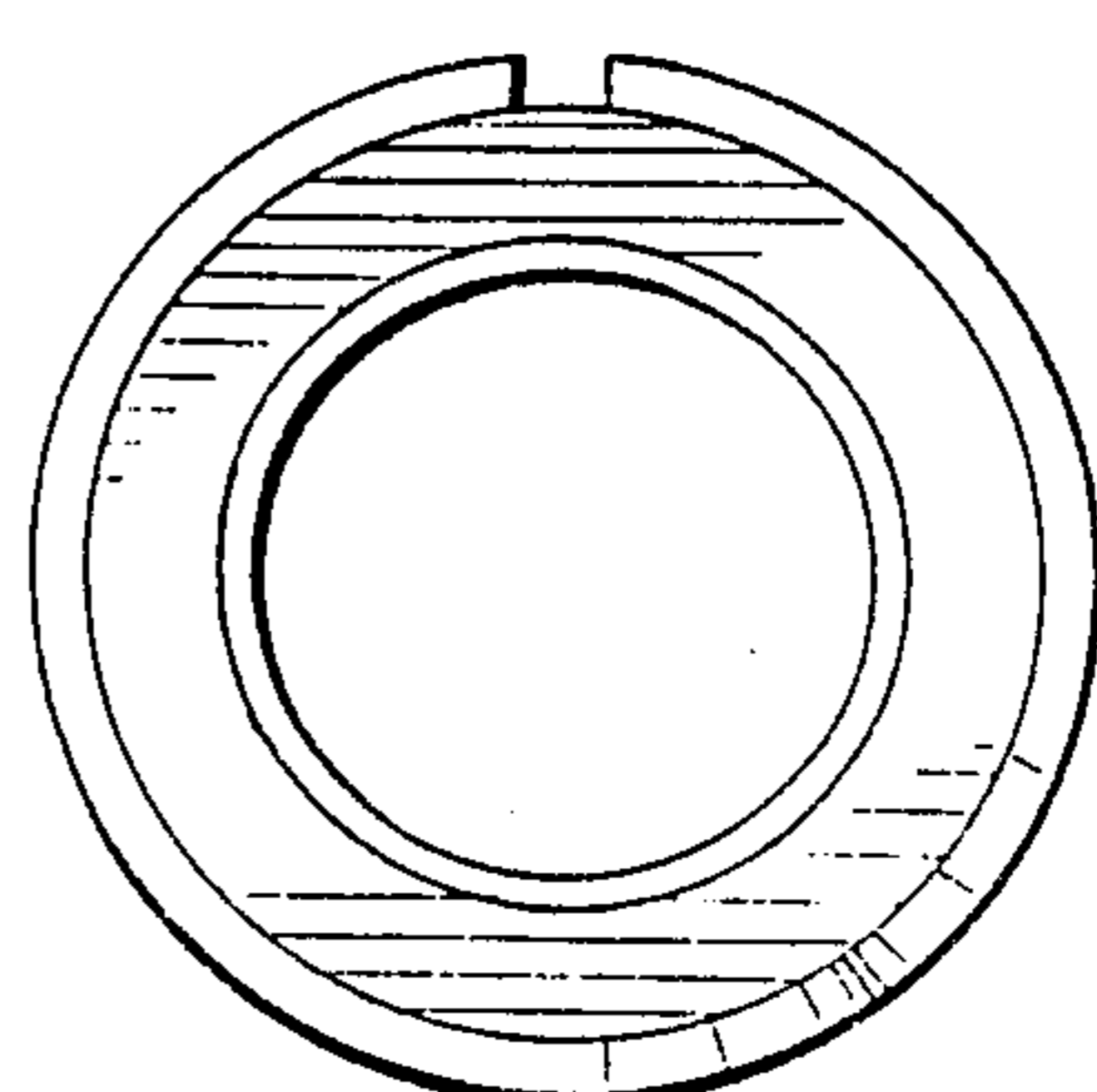


FIG 6