

United States Patent [19]

Yoneda

[11] Patent Number: **Des. 296,558**

[45] Date of Patent: **** Jul. 5, 1988**

[54] SEWING MACHINE

[75] Inventor: Yoshihide Yoneda, Osaka, Japan

[73] Assignee: Maruzen Sewing Machine Co., Ltd.,
Osaka, Japan

[**] Term: 14 Years

[21] Appl. No.: 700,662

[22] Filed: Feb. 11, 1985

[30] Foreign Application Priority Data

Sep. 28, 1984 [JP] Japan 59-40299

Sep. 28, 1984 [JP] Japan 59-40300

[52] U.S. Cl. D15/69

[58] Field of Search D15/69, 70; 112/63,
112/258-261

[56] References Cited

U.S. PATENT DOCUMENTS

D. 274,910 7/1984 Szostak et al. D15/69

3,570,431 3/1971 Fresard 112/63 X

3,954,073 5/1976 Varin 112/259

3,990,375 11/1976 Adams 112/258

4,187,794 2/1980 Ross et al. D15/69 X

Primary Examiner—Melvin B. Feifer

Attorney, Agent, or Firm—Lowe, Price, Leblanc, Becker
& Shur

[57] CLAIM

The ornamental design for a sewing machine, as shown.

DESCRIPTION

FIG. 1 is a top plan view of a sewing machine showing my new design;

FIG. 2 is a front view thereof;

FIG. 3 is a bottom plan view thereof;

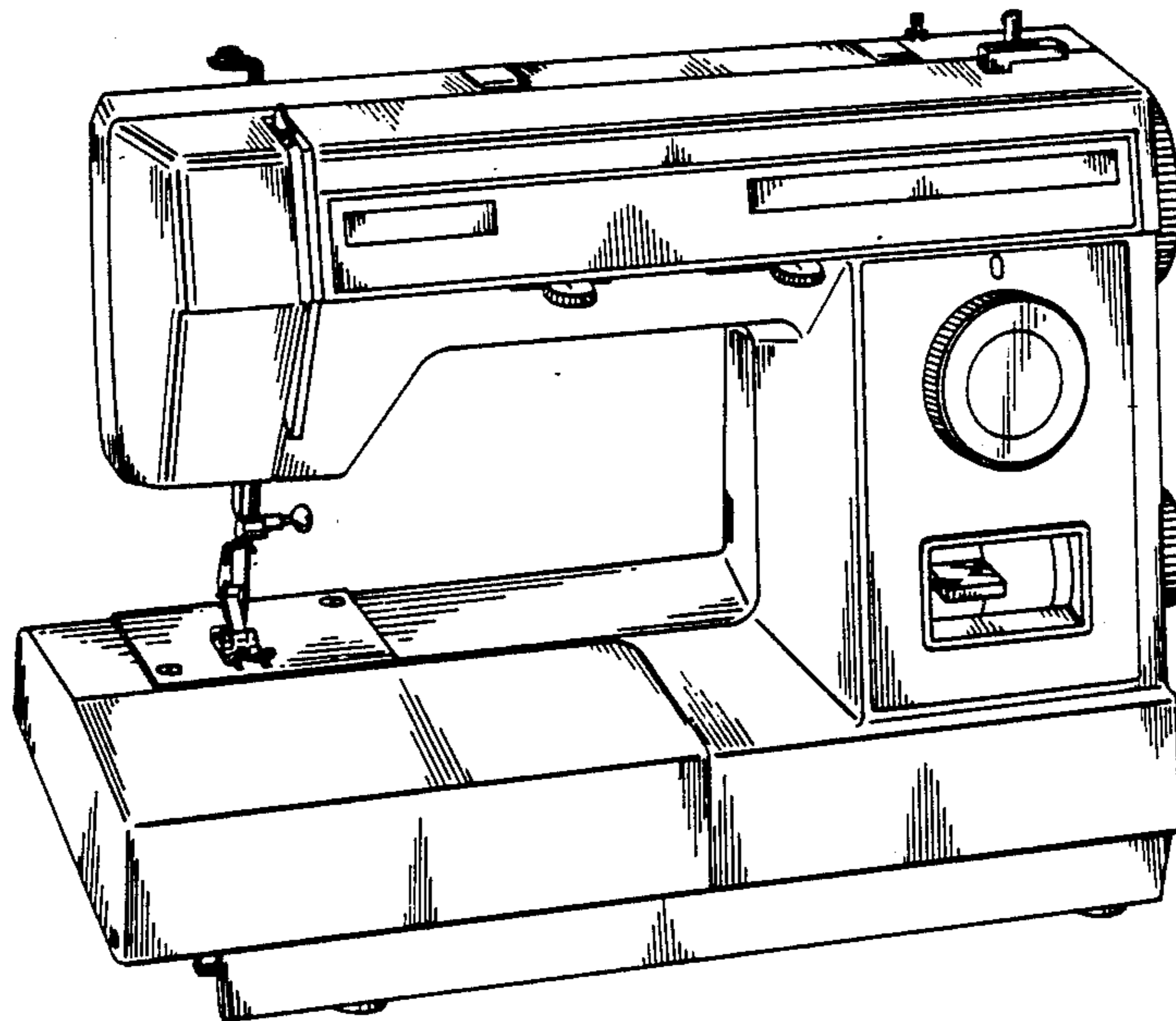
FIG. 4 is a rear view thereof;

FIG. 5 is a left side view thereof;

FIG. 6 is a right side view thereof;

FIG. 7 is a front perspective view thereof;

FIG. 8 is a referential rear perspective view thereof.



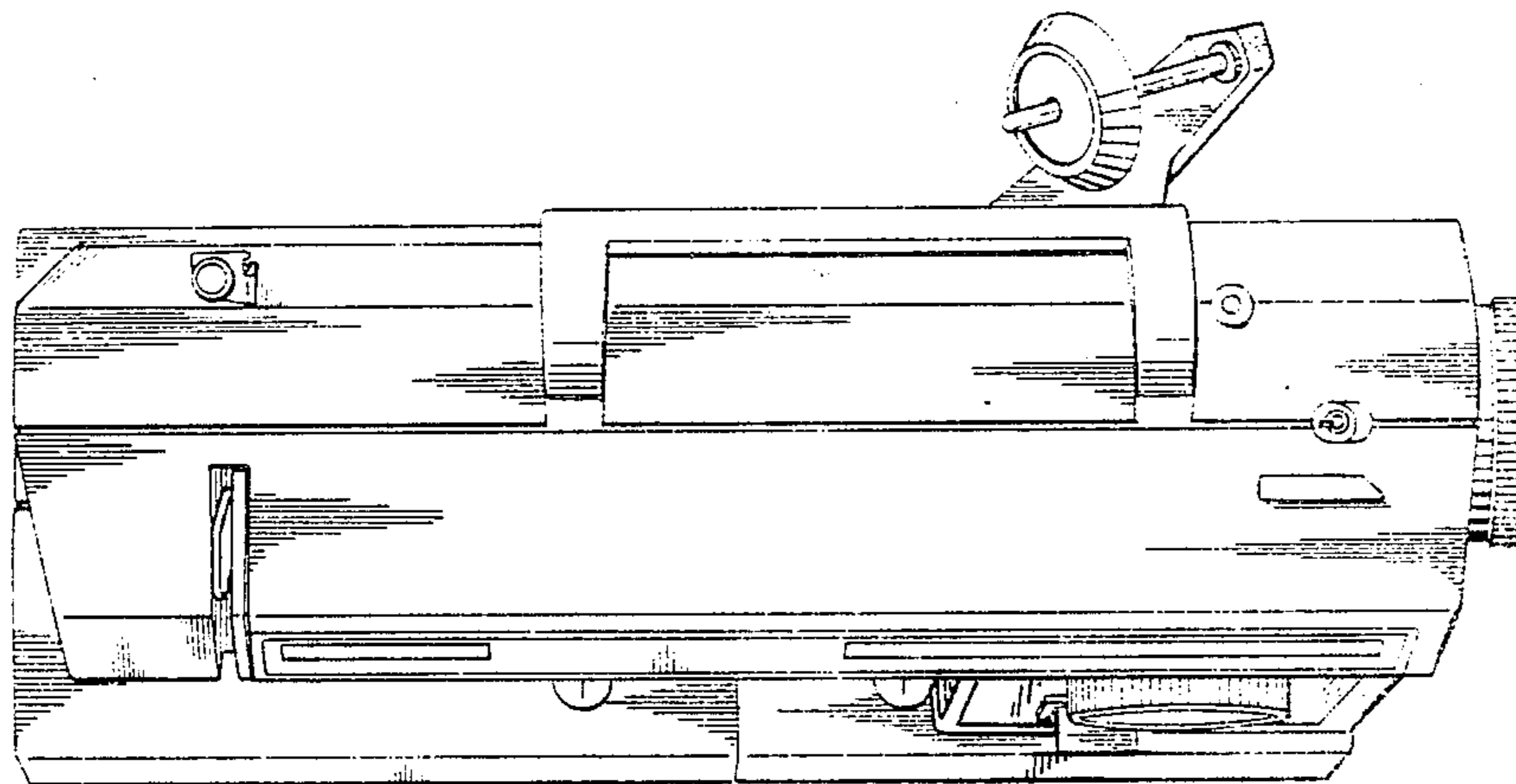


Fig. 1

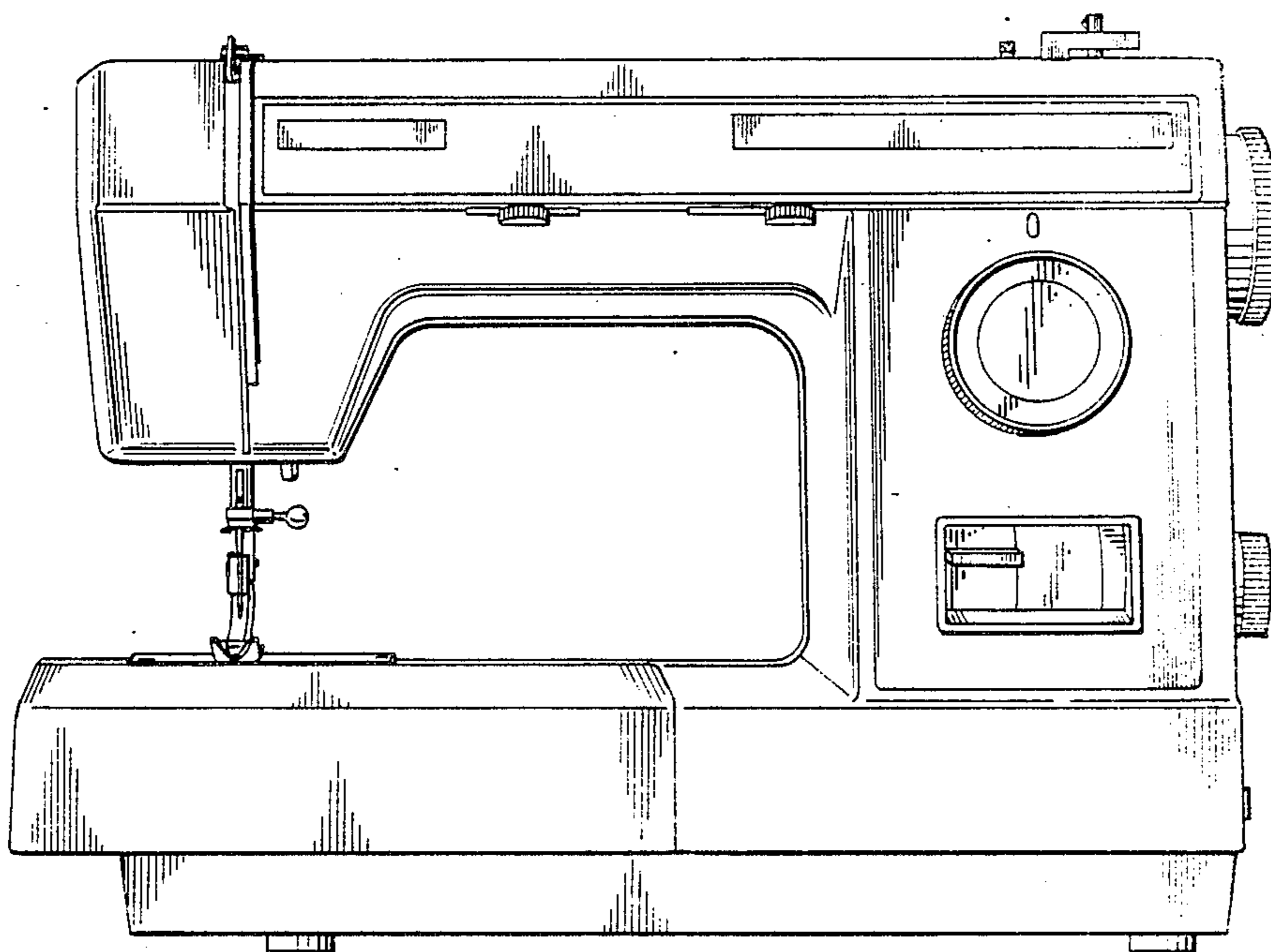


Fig. 2

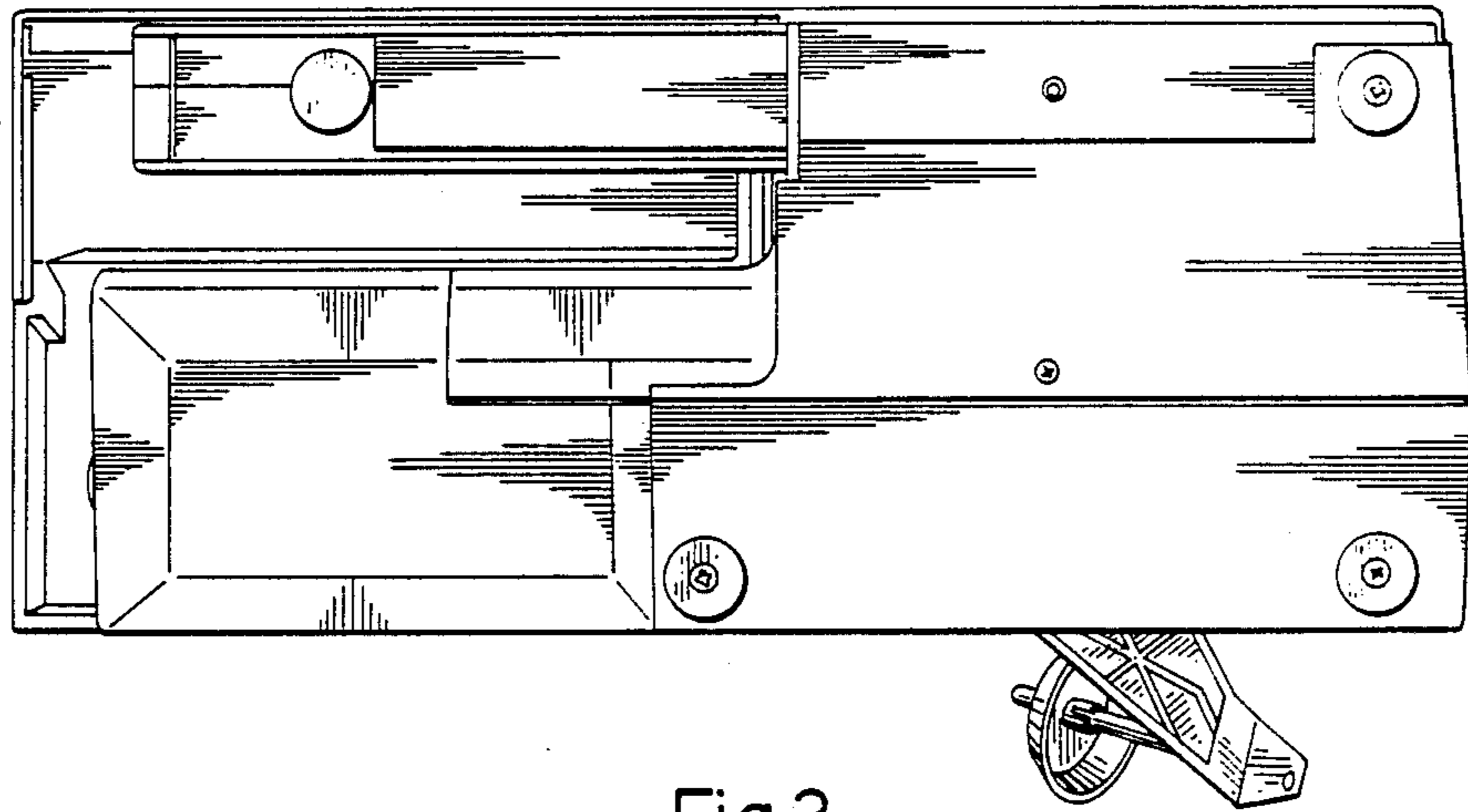


Fig.3

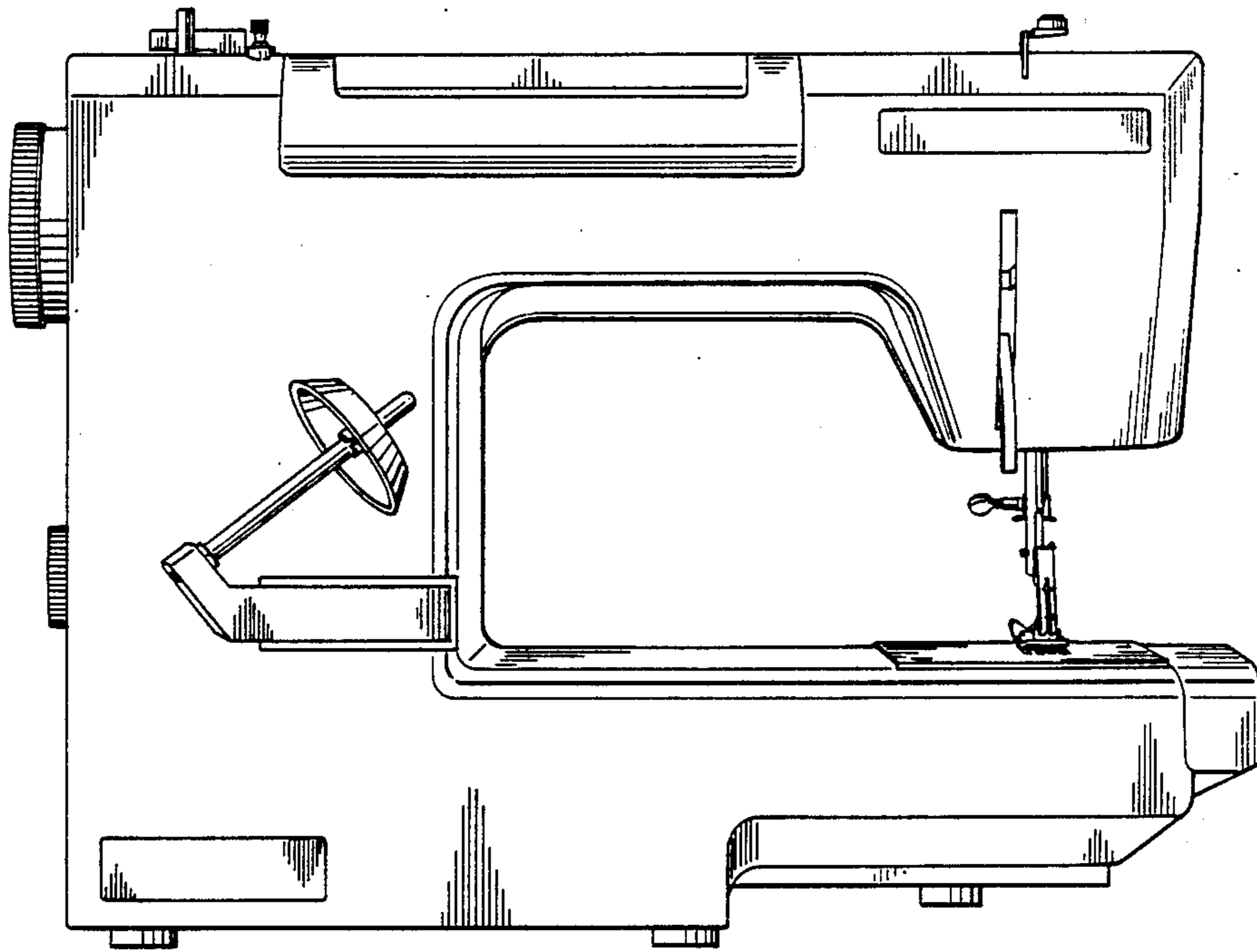


Fig.4

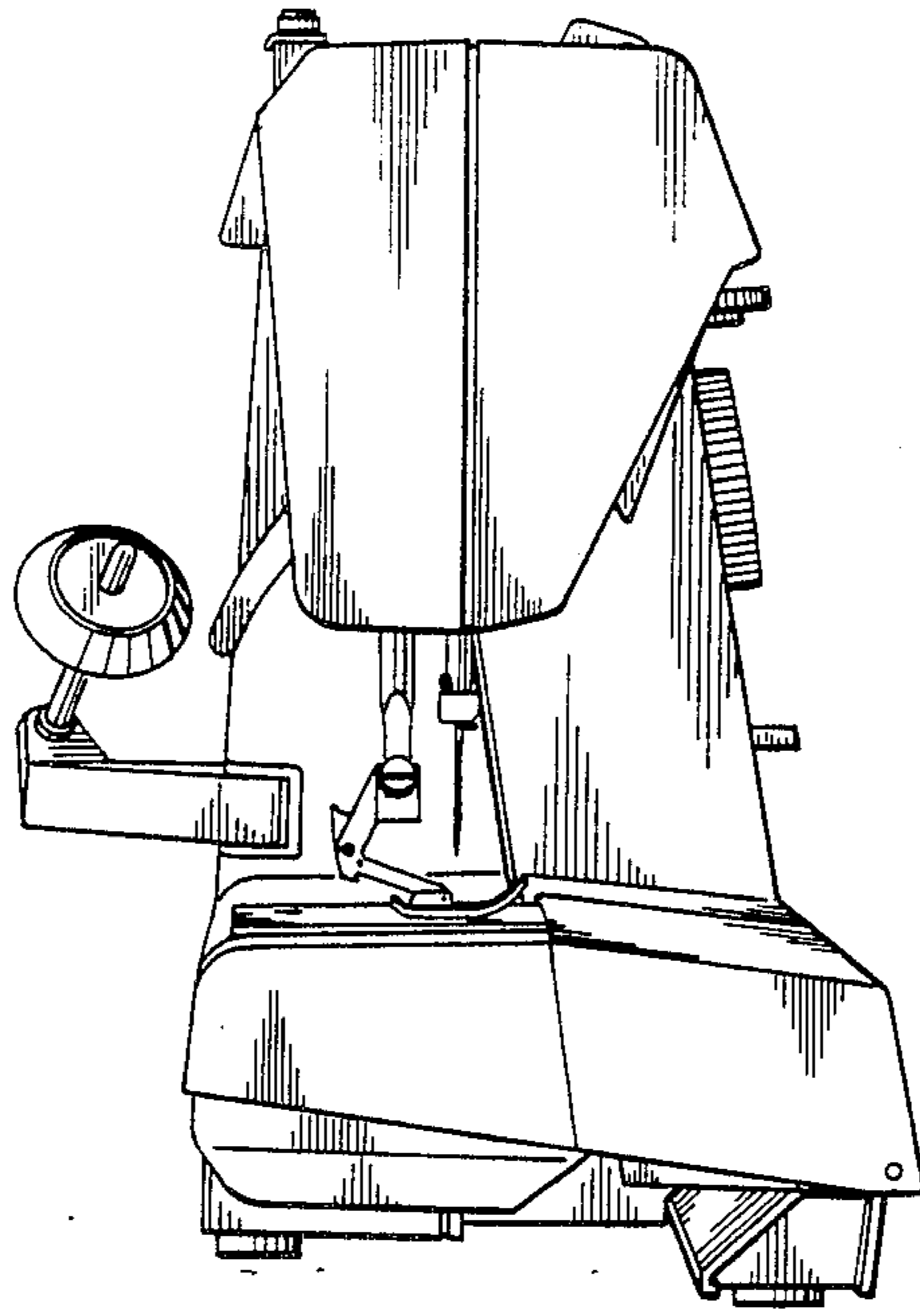


Fig. 5

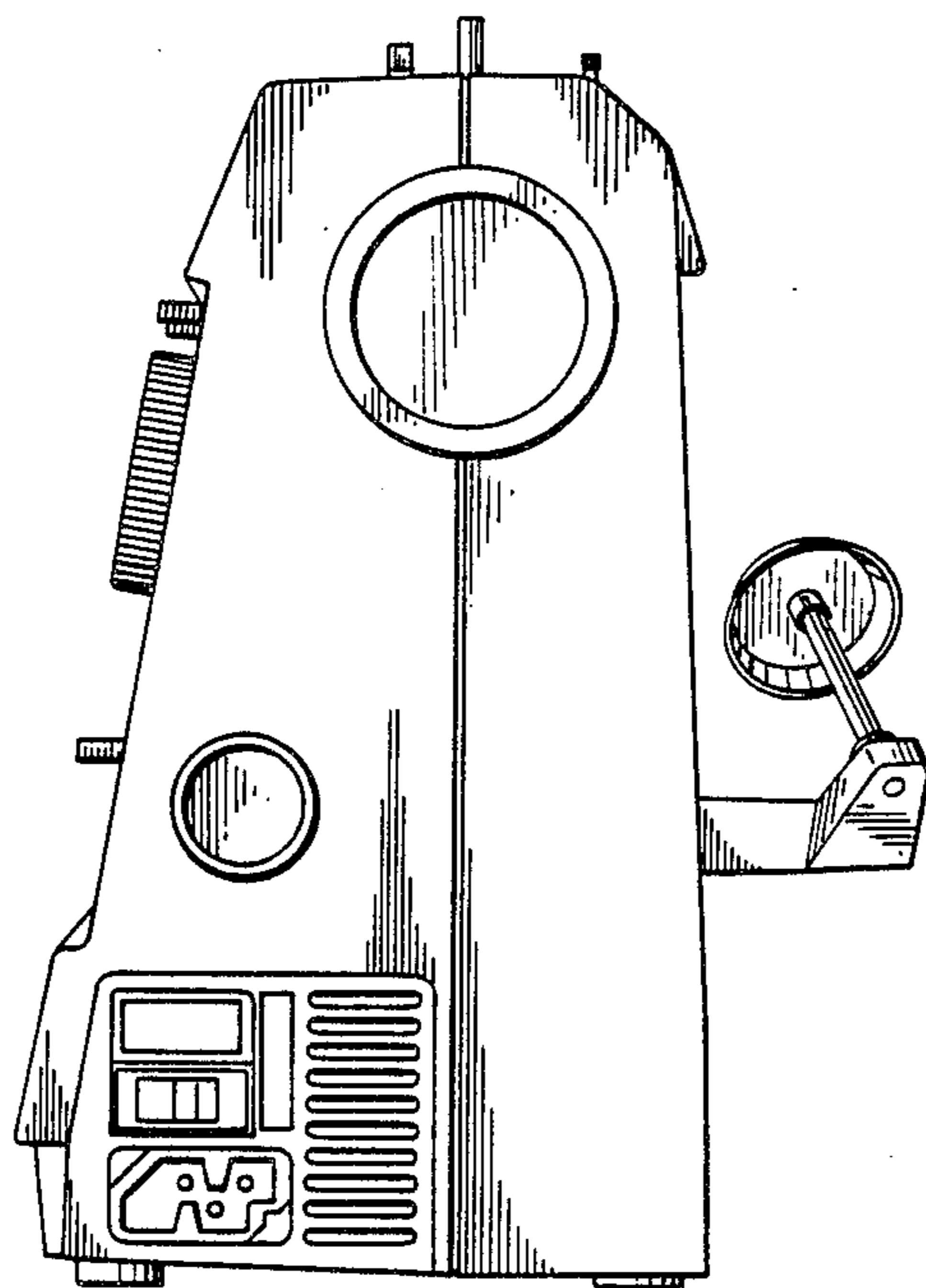


Fig. 6

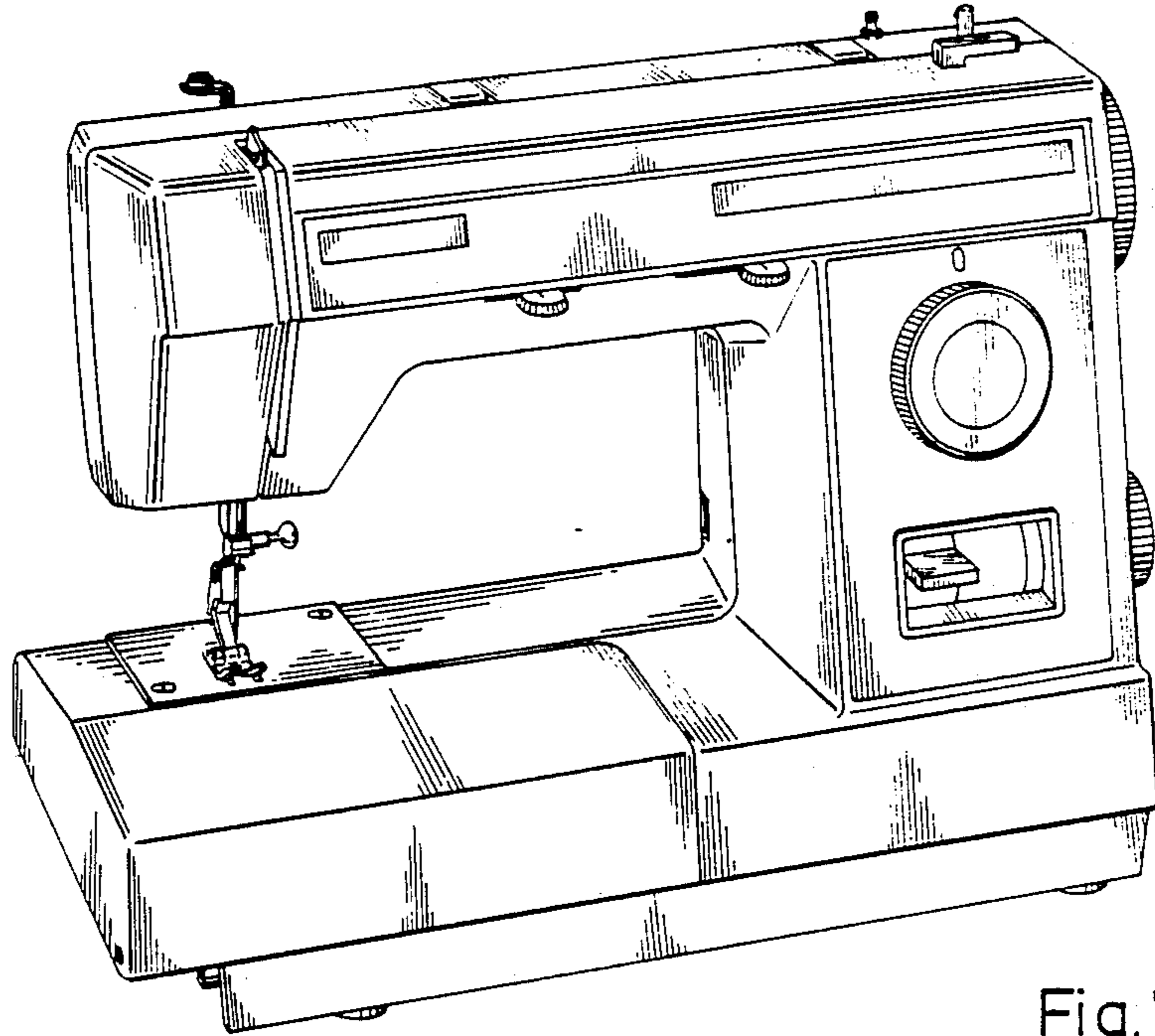


Fig. 7

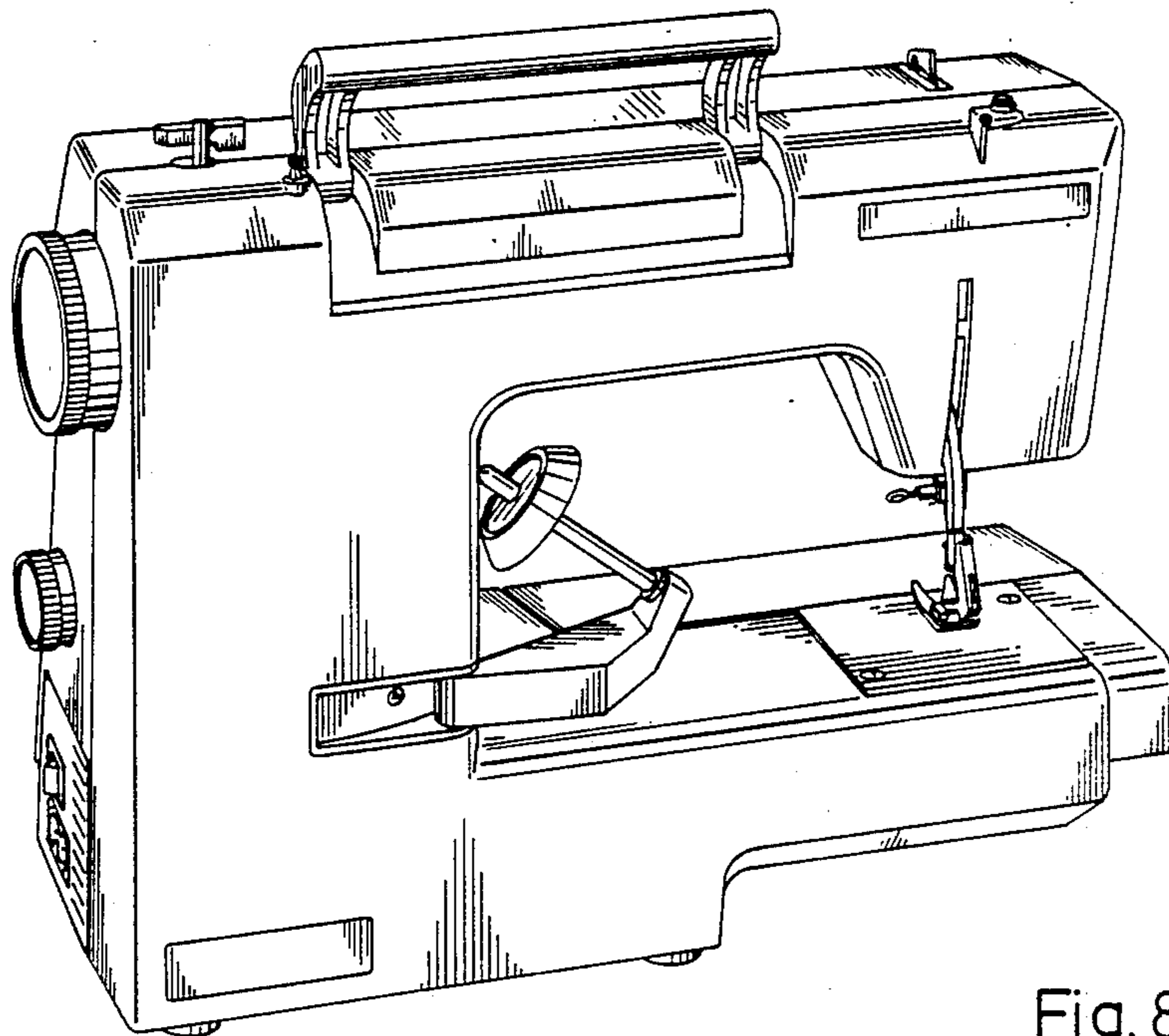


Fig. 8

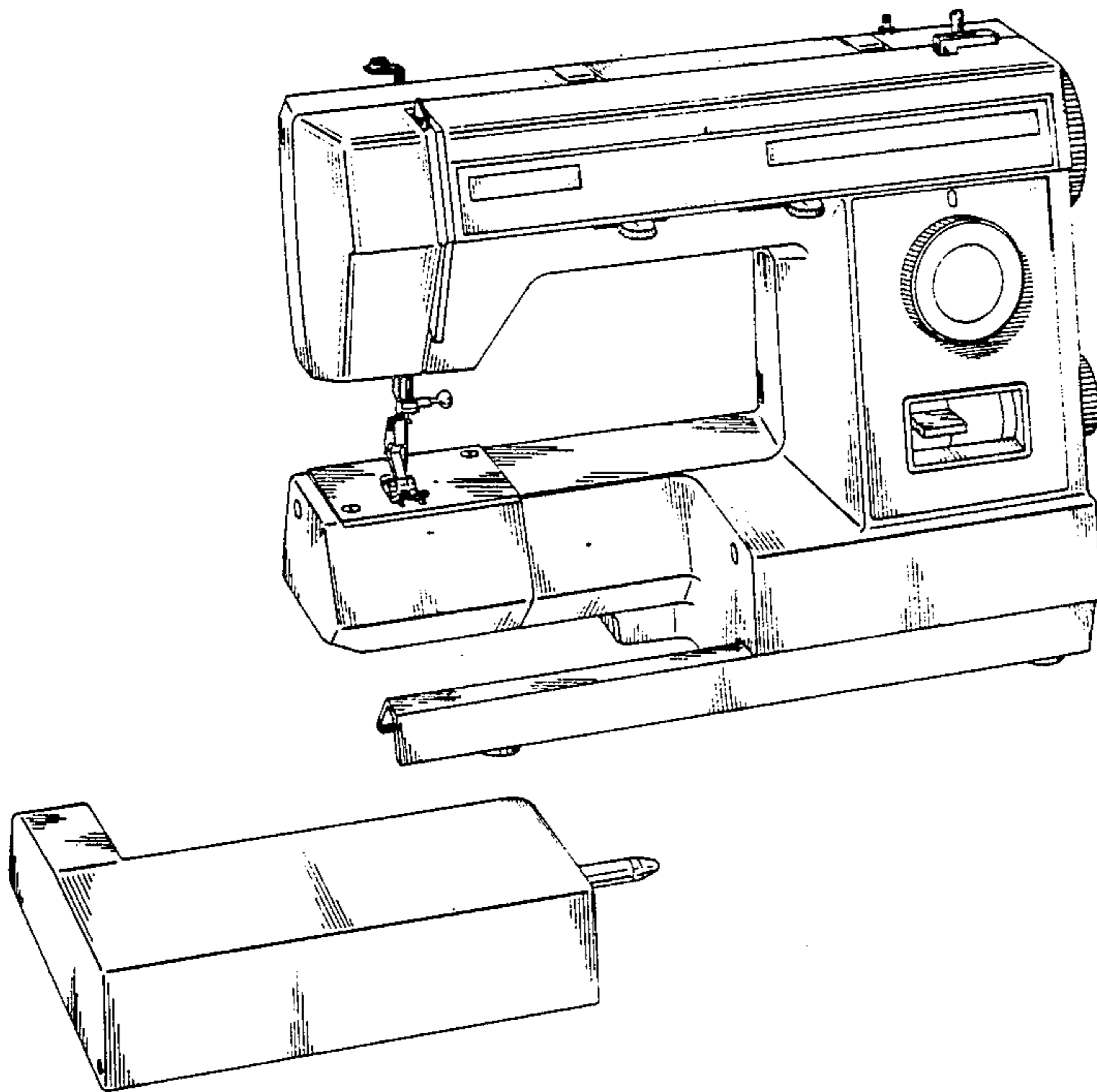


Fig. 9