

[54] HOOD FOR A LAWN AND GARDEN TRACTOR

[75] Inventor: Richard D. Williams, Brentwood, Tenn.

[73] Assignee: The Murray Ohio Manufacturing Company, Brentwood, Tenn.

[**] Term: 14 Years

[21] Appl. No.: 913,854

[22] Filed: Sep. 30, 1986

[52] U.S. Cl. D15/31

[58] Field of Search D15/10, 23-26, D15/28, 30-31, 33; 180/69.2, 69.21, 69.22, 69.24, 69.25, 89.1, 89.12, 89.19; 296/194

[56] References Cited

U.S. PATENT DOCUMENTS

- D. 245,604 8/1977 Cognata et al. D15/23
- D. 246,370 11/1977 Lorenz D15/31
- D. 256,801 9/1980 Skyer et al. D15/23

D. 270,351 8/1983 Montgomery et al. D15/31

FOREIGN PATENT DOCUMENTS

2504700 8/1976 Fed. Rep. of Germany 316/180

Primary Examiner—Wallace R. Burke

Assistant Examiner—Ruth Takemoto

Attorney, Agent, or Firm—Cushman, Darby & Cushman

[57] CLAIM

The ornamental design for a hood for a lawn and garden tractor, substantially as shown and described.

DESCRIPTION

FIG. 1 is a side elevational view of a hood for a lawn and garden tractor showing my new design, the opposite side being a mirror image thereof;

FIG. 2 is a top plan view thereof;

FIG. 3 is a front elevational view thereof; and

FIG. 4 is a side elevational view thereof, in an open position.

The portion of the tractor shown in broken lines in FIGS. 1 and 4 is for illustrative purposes only and forms no part of the claimed design.

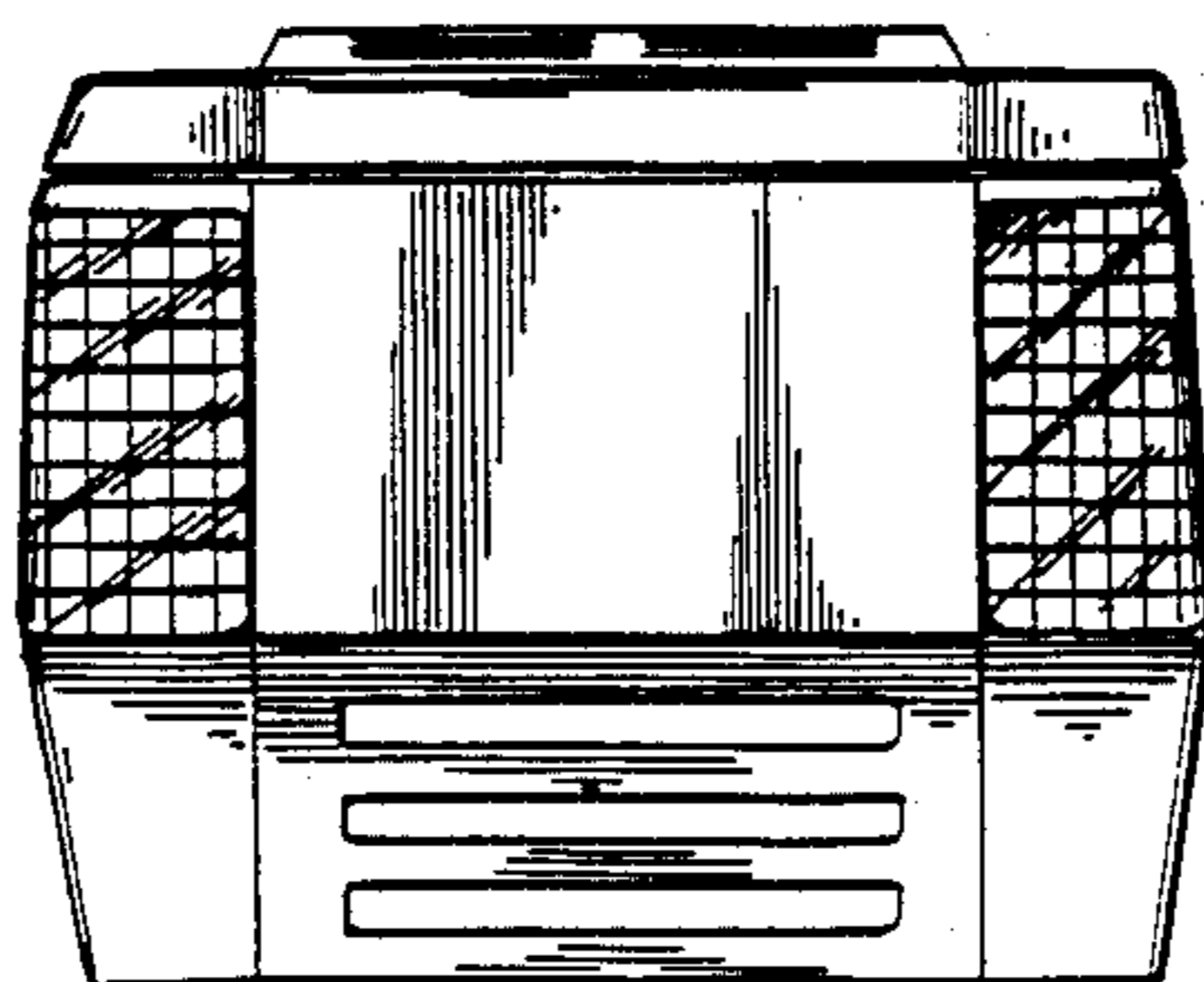
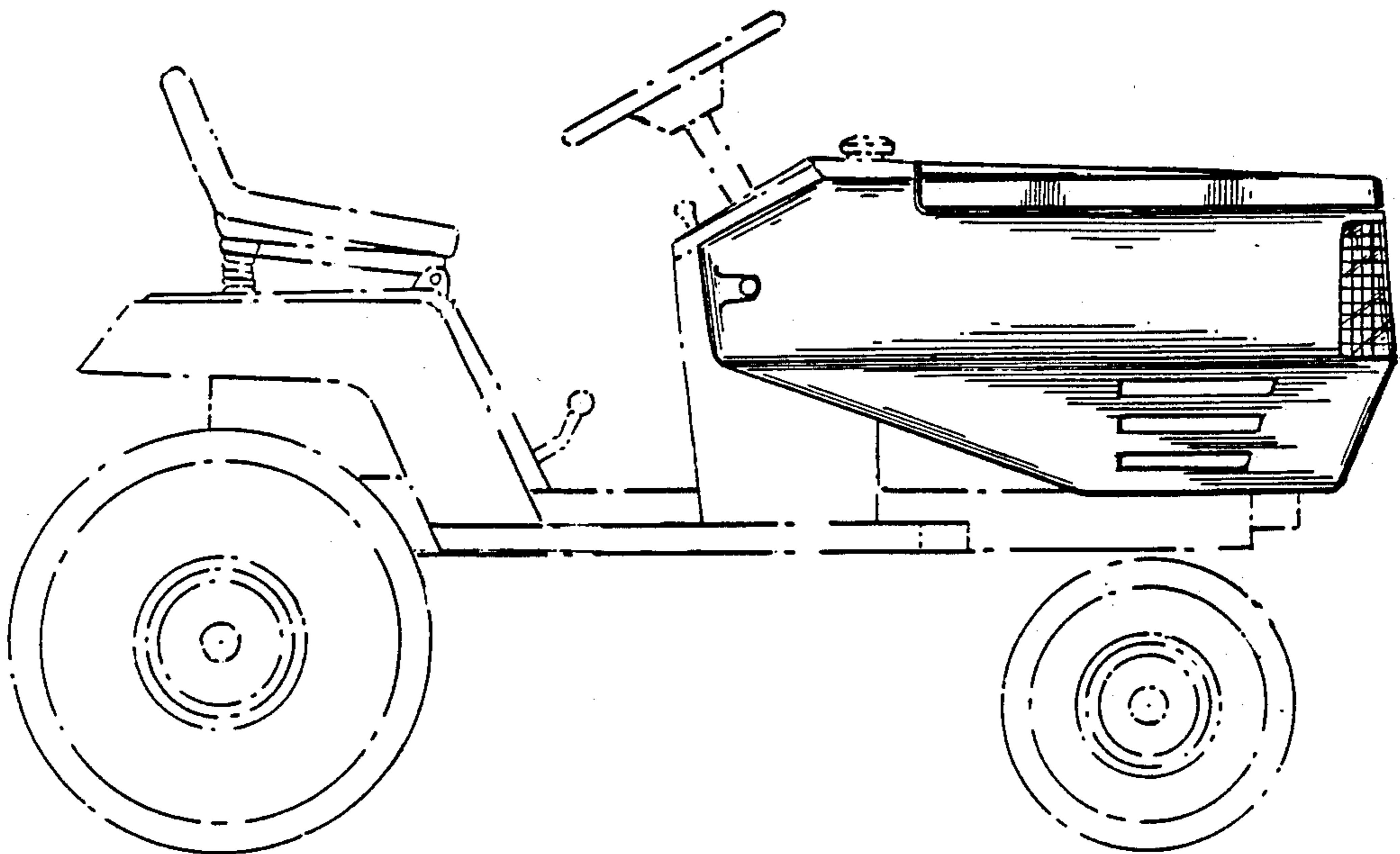


FIG. 1

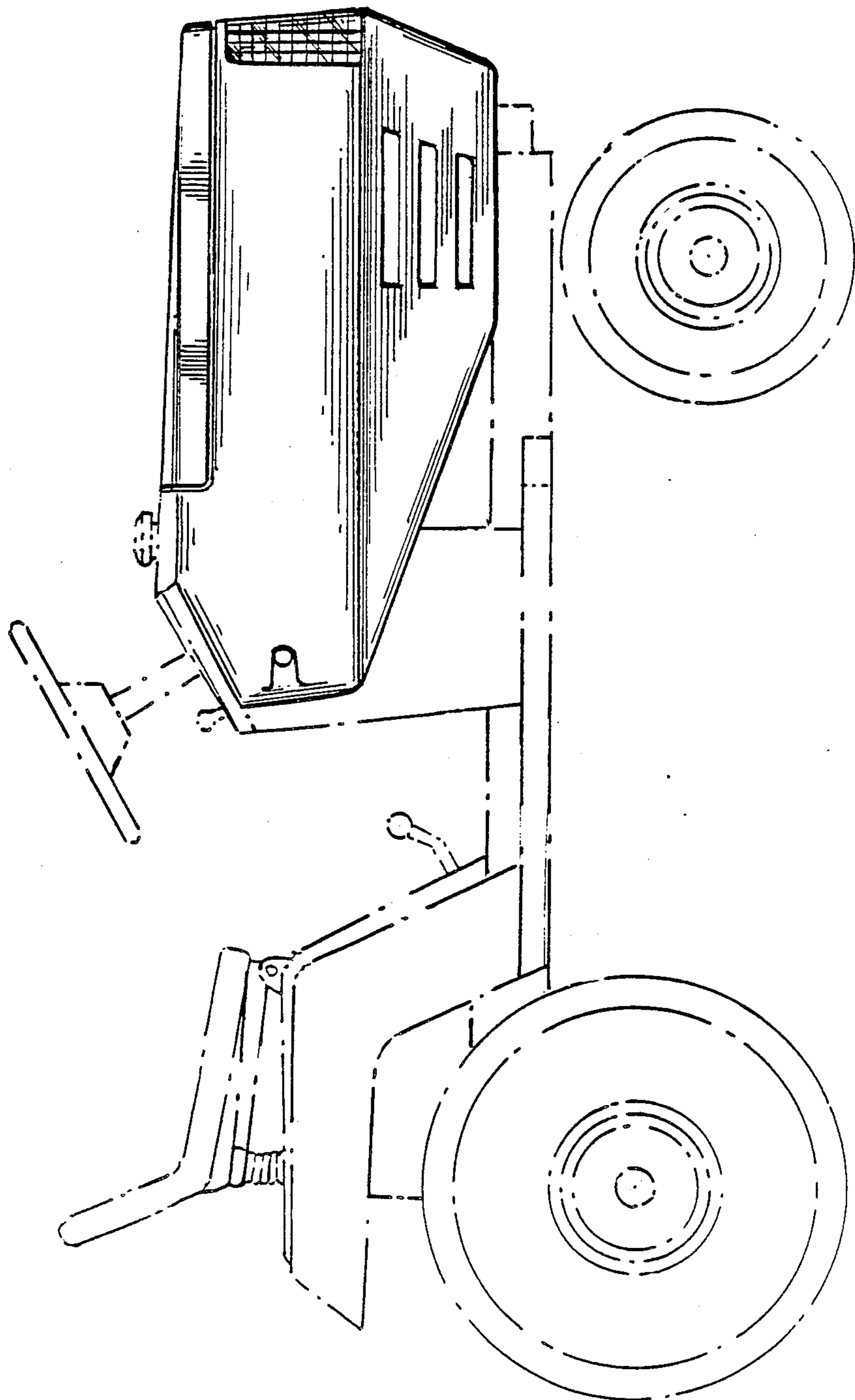


FIG. 2

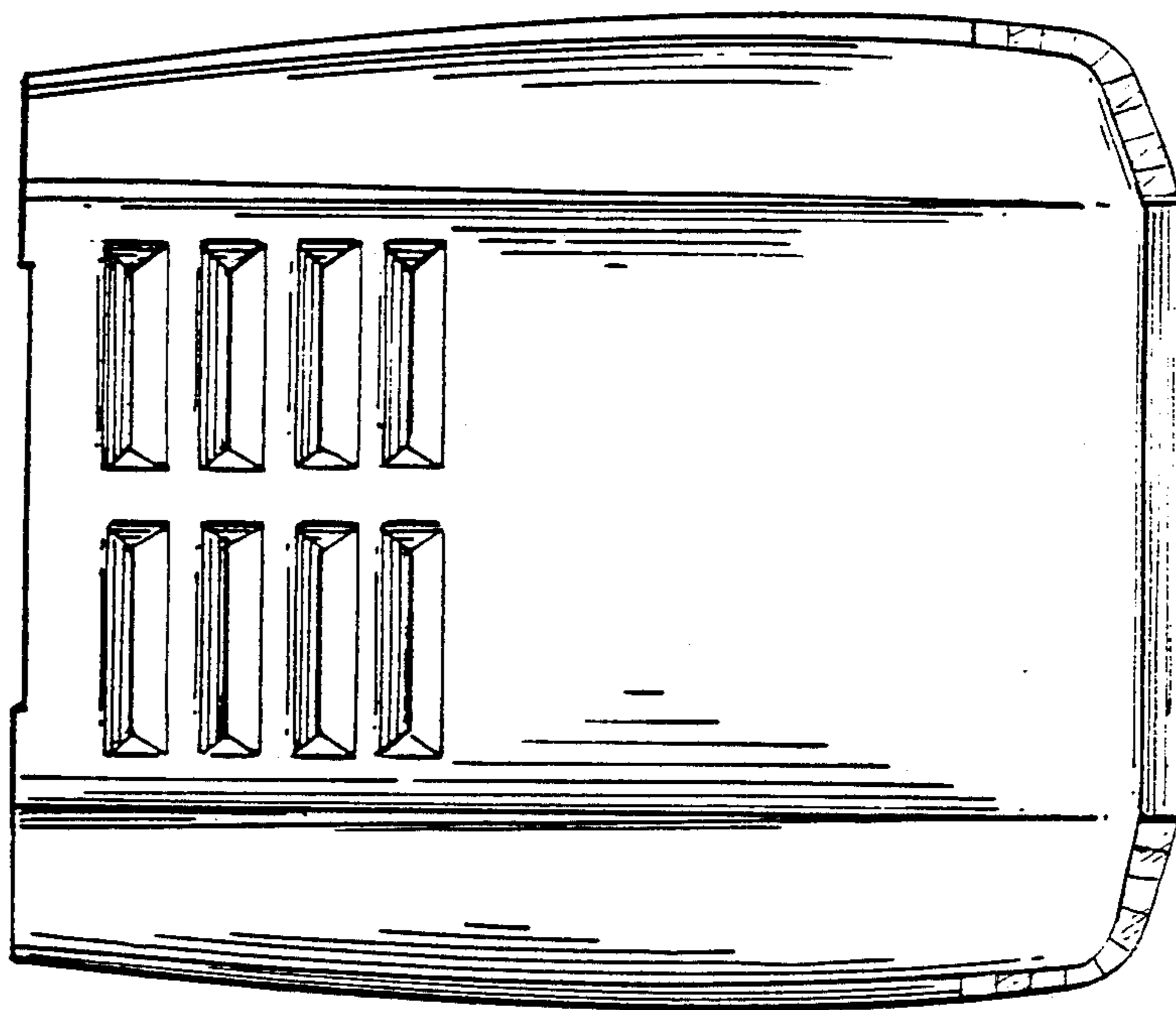


FIG. 3

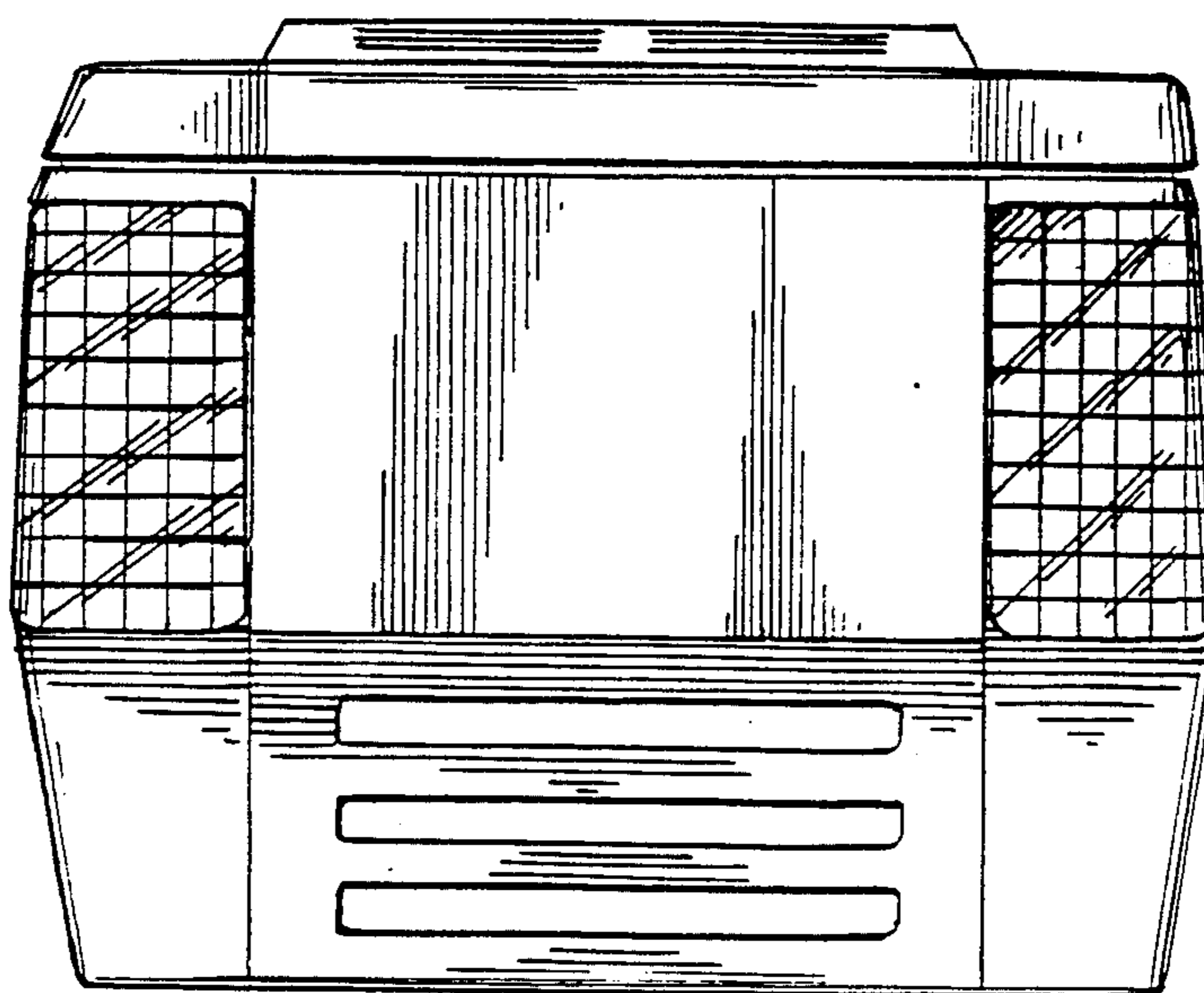


FIG. 4

