

[54] BELLOWS PUMP

[56] References Cited

[75] Inventors: Norishige Hirakawa, Moroyama; Kazuhiko Sato, Kawagoe; Satoru Hagiwara, Saitama, all of Japan

U.S. PATENT DOCUMENTS

D. 123,201	10/1940	Jackson	.....	D15/7 X
D. 221,307	7/1971	Bills	.....	D15/7
3,180,566	4/1965	Murat et al.	.....	417/473
4,090,818	5/1978	Hope et al.	.....	417/473

[73] Assignee: Iwaki Co., Ltd., Japan

Primary Examiner—Wallace R. Burke  
Assistant Examiner—Brian N. Vinson  
Attorney, Agent, or Firm—Jordan B. Bierman

[\*\*] Term: 14 Years

[57] CLAIM

The ornamental design for a bellows pump, as shown.

[21] Appl. No.: 934,146

DESCRIPTION

[22] Filed: Nov. 24, 1986

FIG. 1 is a top, front perspective view of a bellows pump showing our new design;  
 FIG. 2 is a top, rear perspective view thereof;  
 FIG. 3 is a front elevational view thereof;  
 FIG. 4 is a rear elevational view thereof;  
 FIG. 5 is a top plan view thereof;  
 FIG. 6 is a bottom plan view thereof;  
 FIG. 7 is a left side elevational view thereof; and  
 FIG. 8 is a right side elevational view thereof.

[30] Foreign Application Priority Data

Jul. 8, 1986 [JP] Japan ..... 61-26544

[52] U.S. Cl. .... D15/7

[58] Field of Search ..... D23/161; D15/7, 9; 417/321, 437, 472, 473

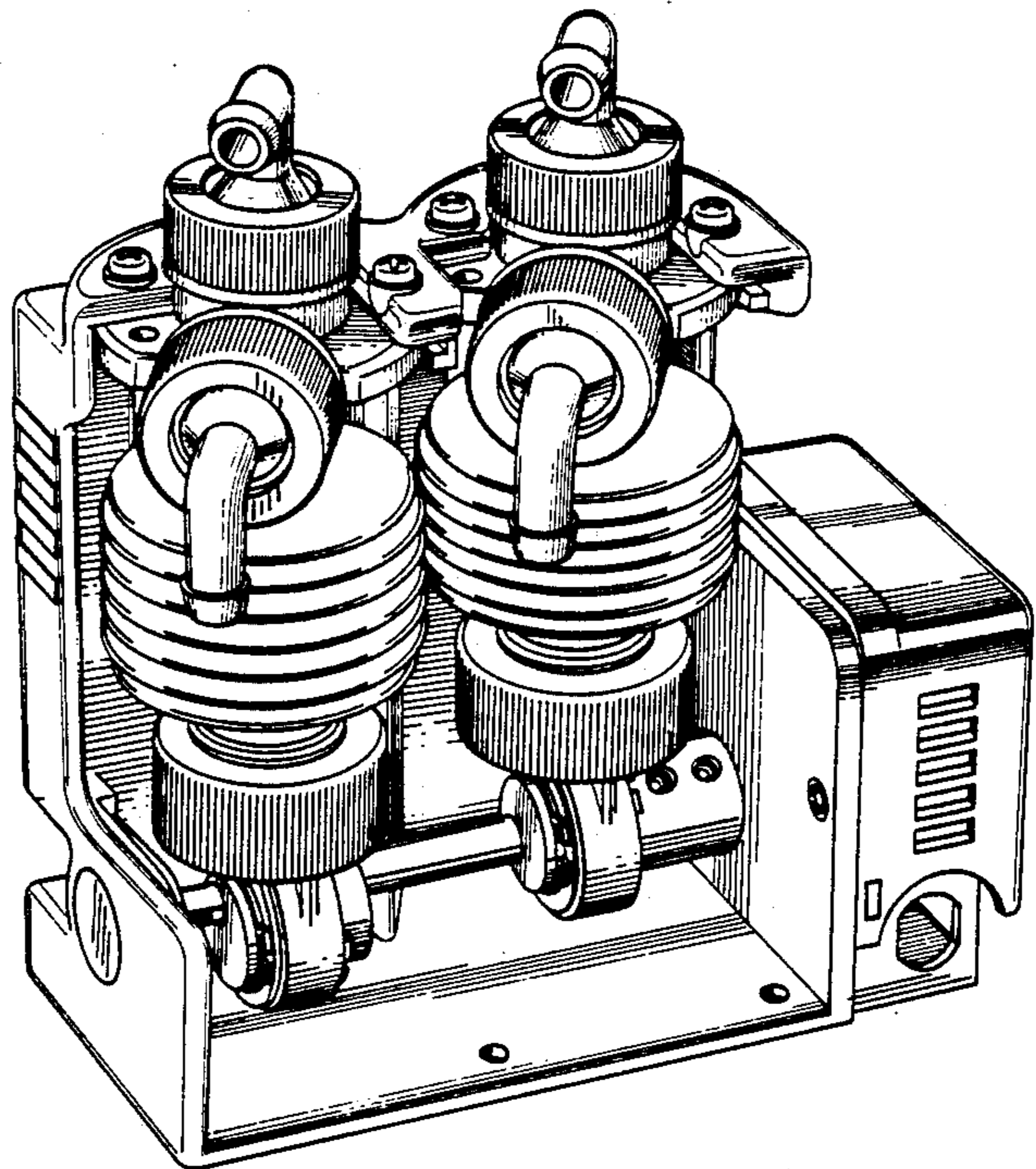


FIG. 1

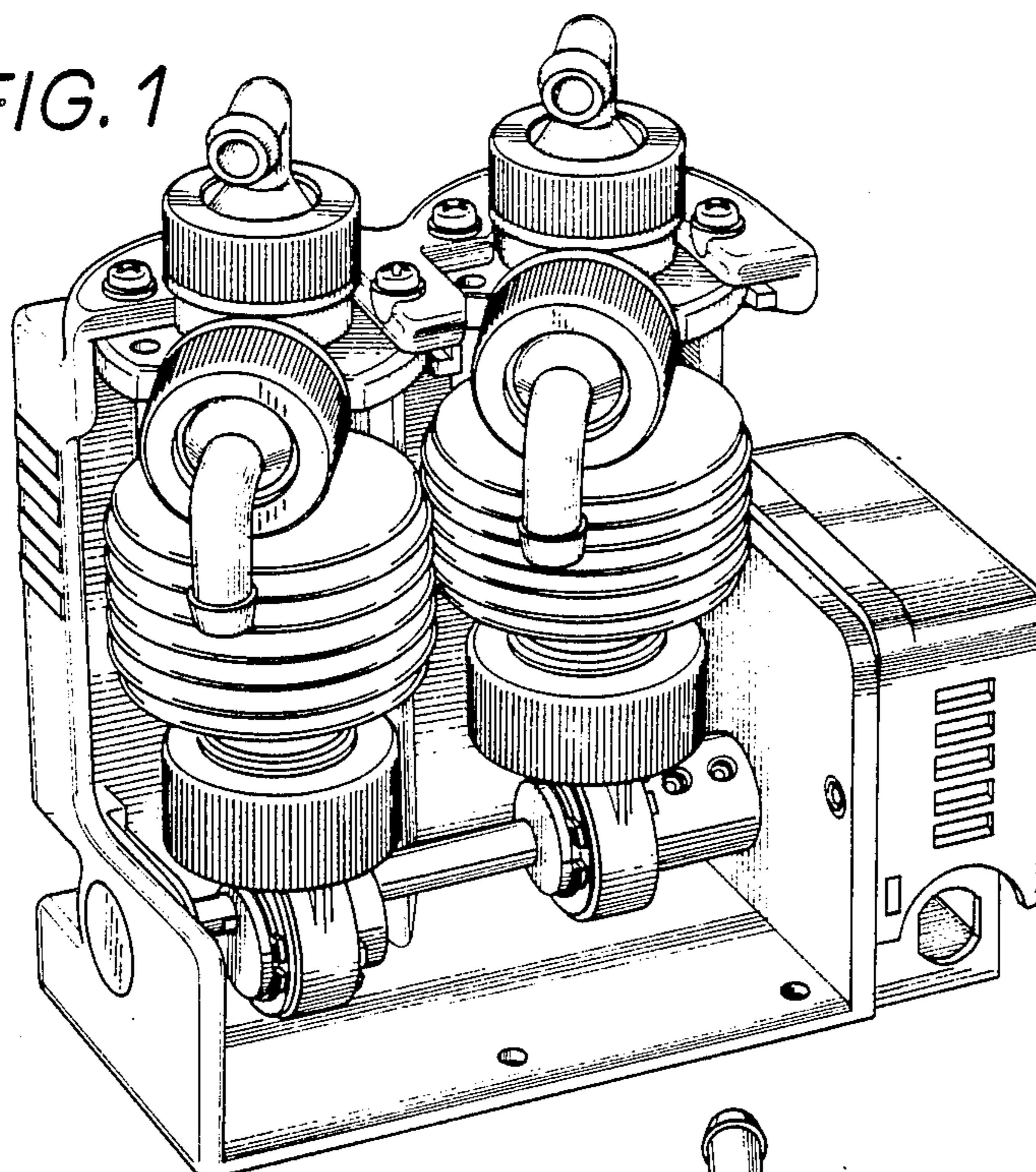


FIG. 2

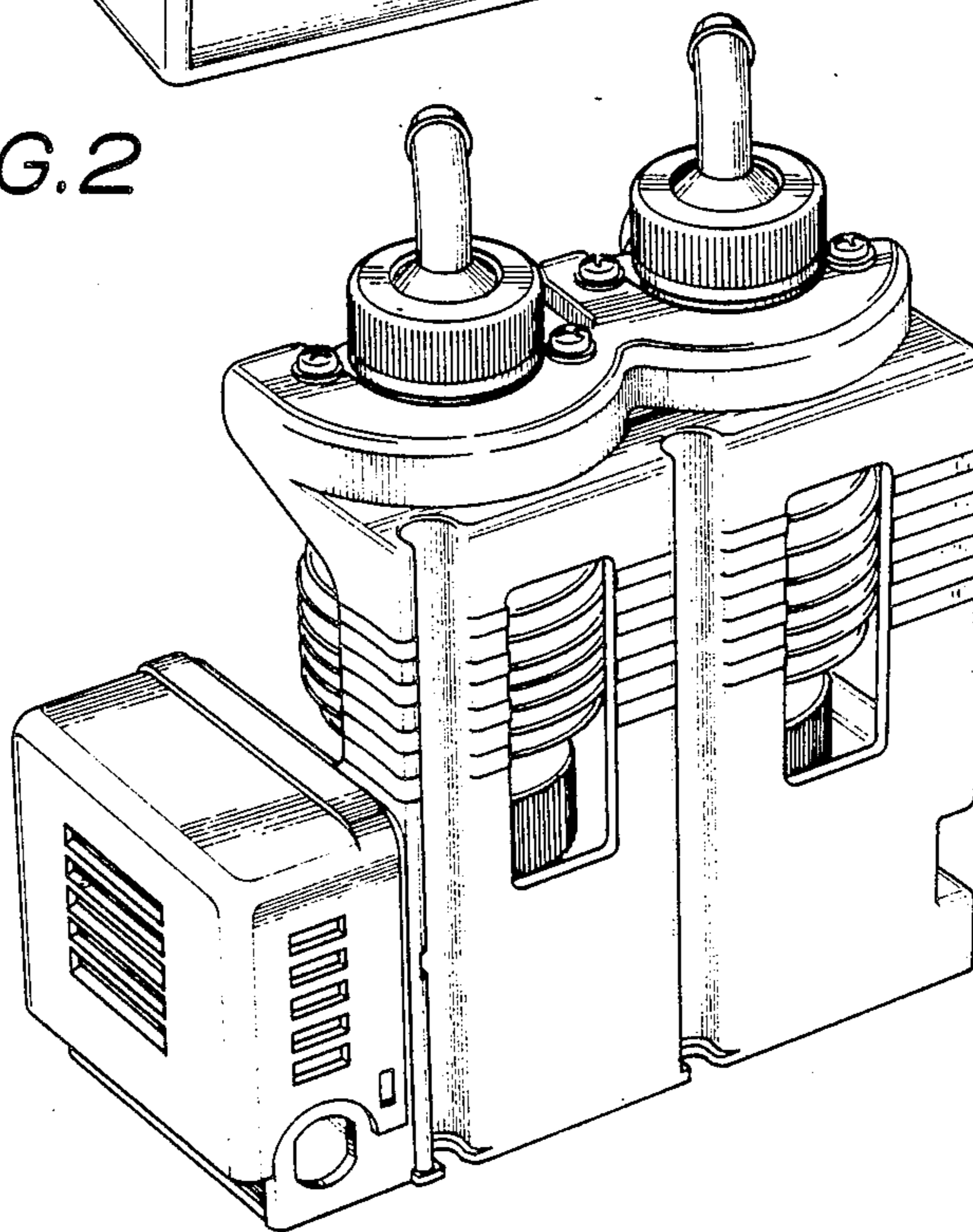


FIG. 3

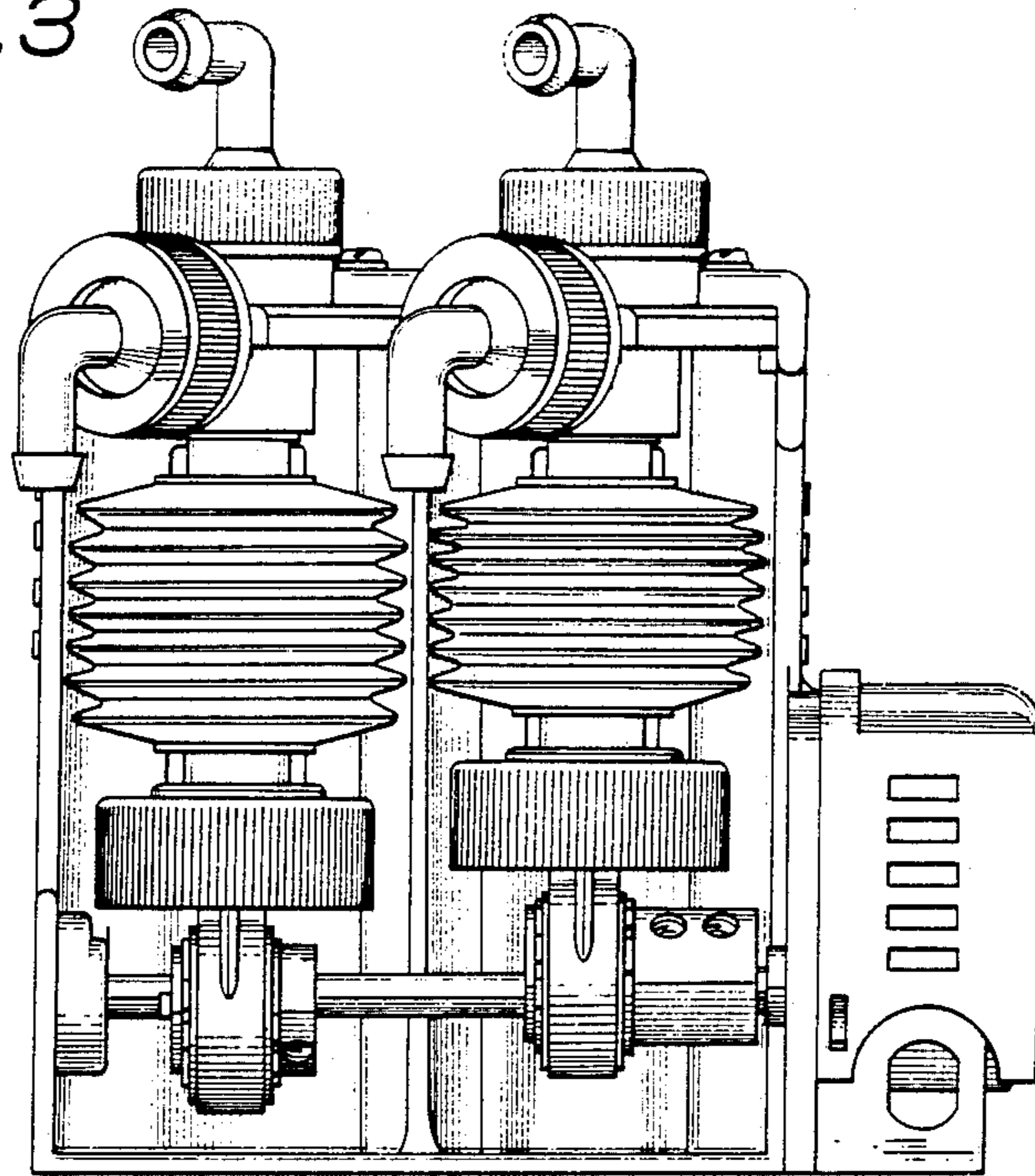


FIG. 4

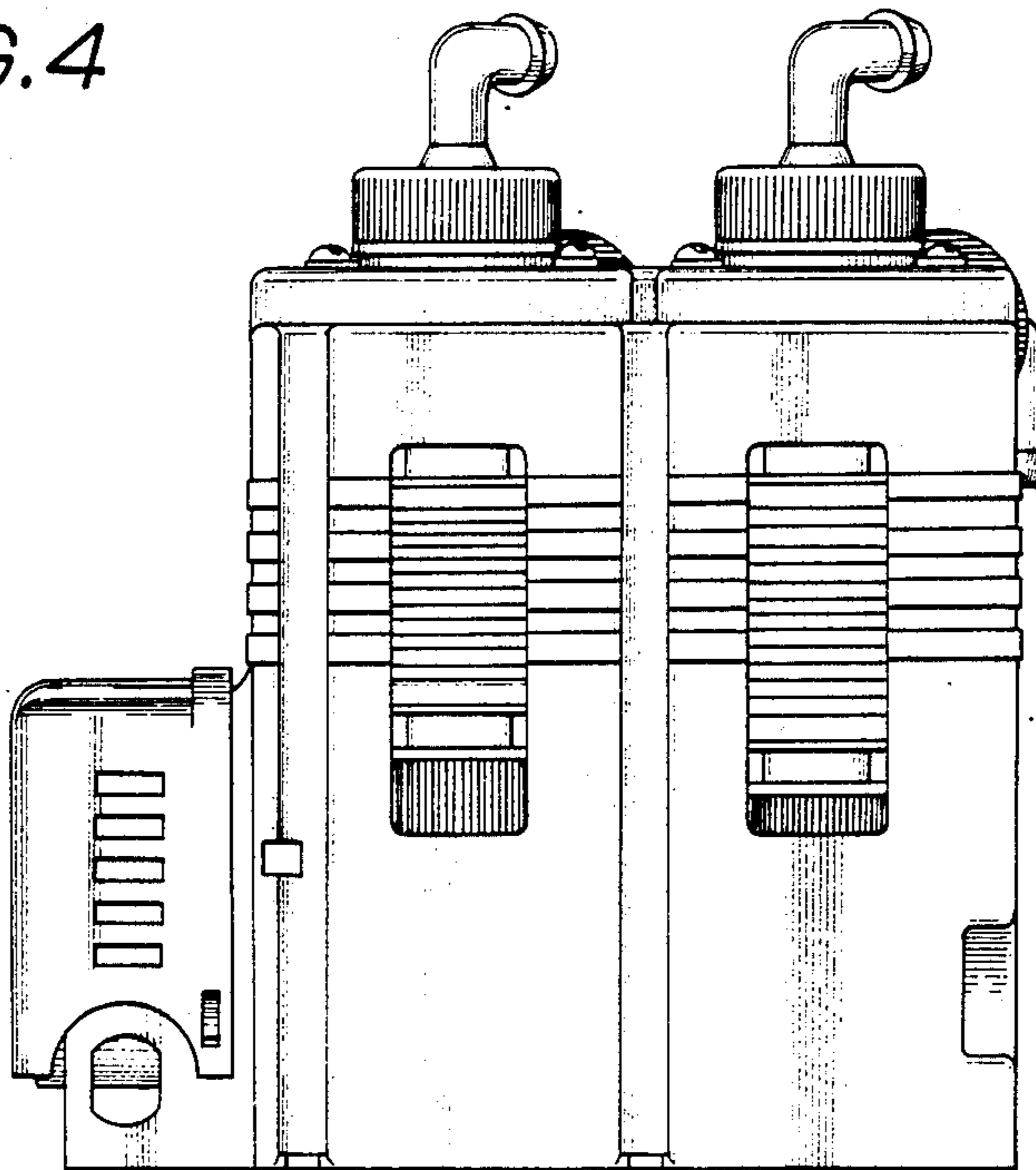


FIG. 5

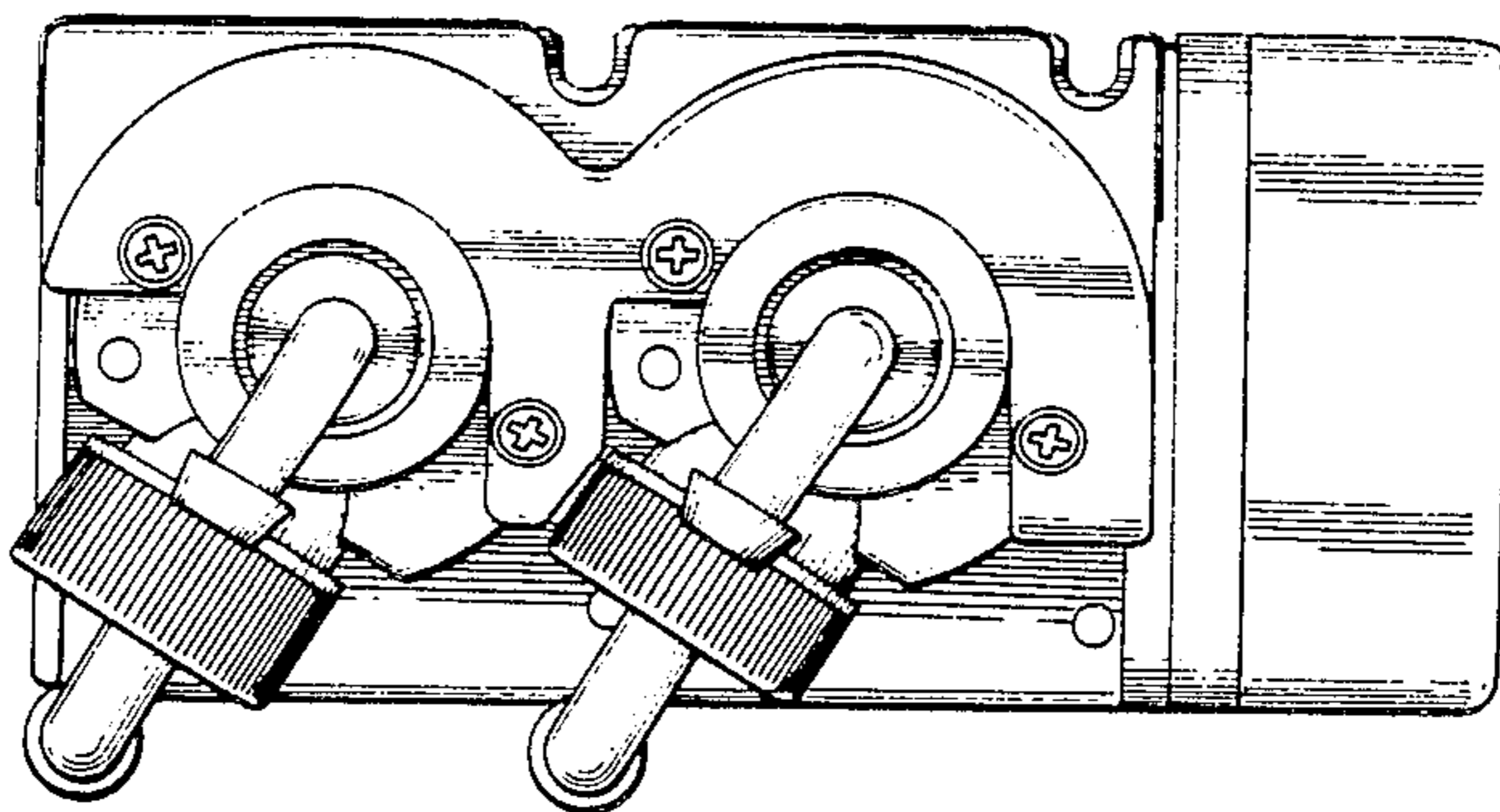


FIG. 6

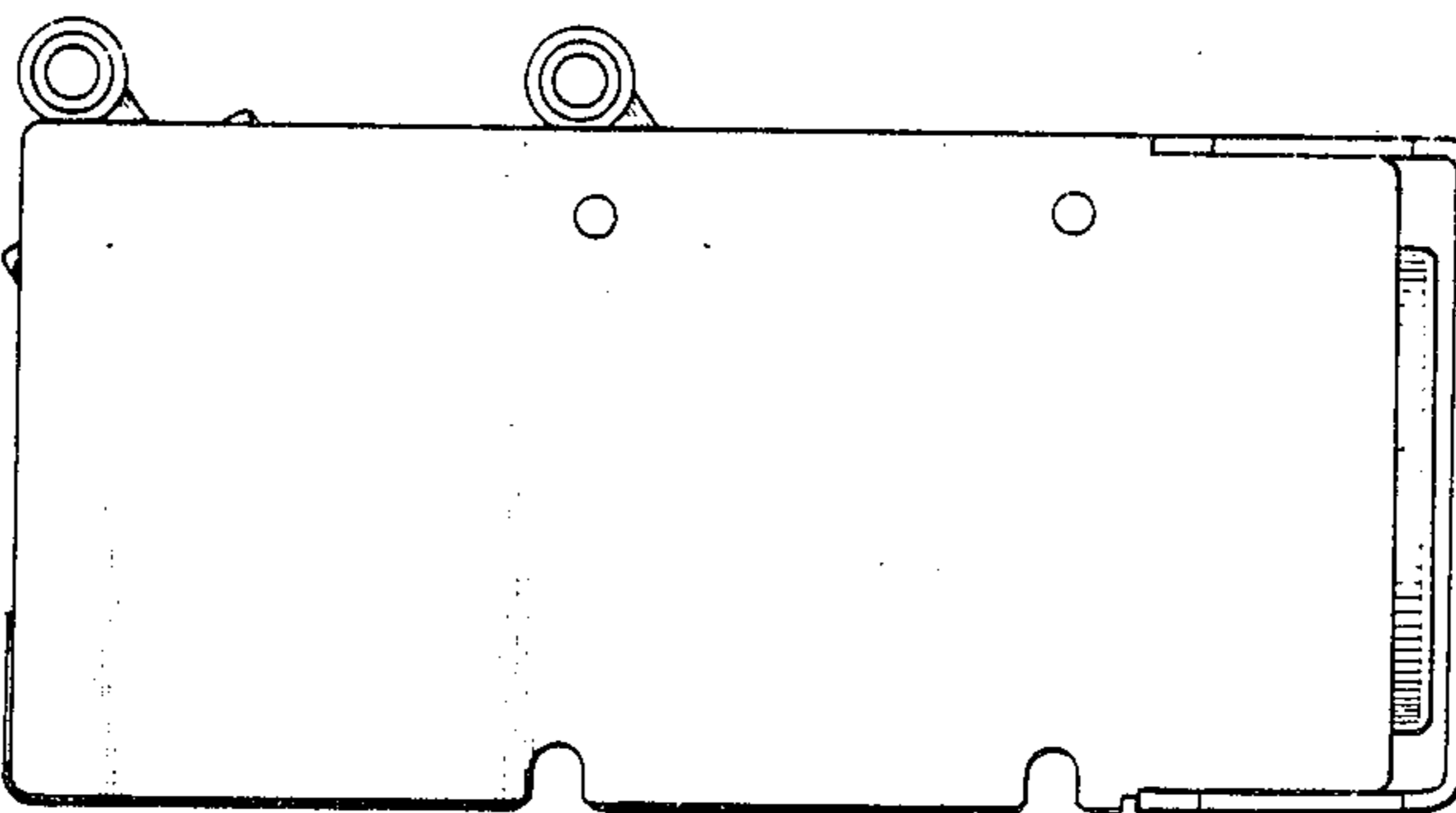


FIG. 7

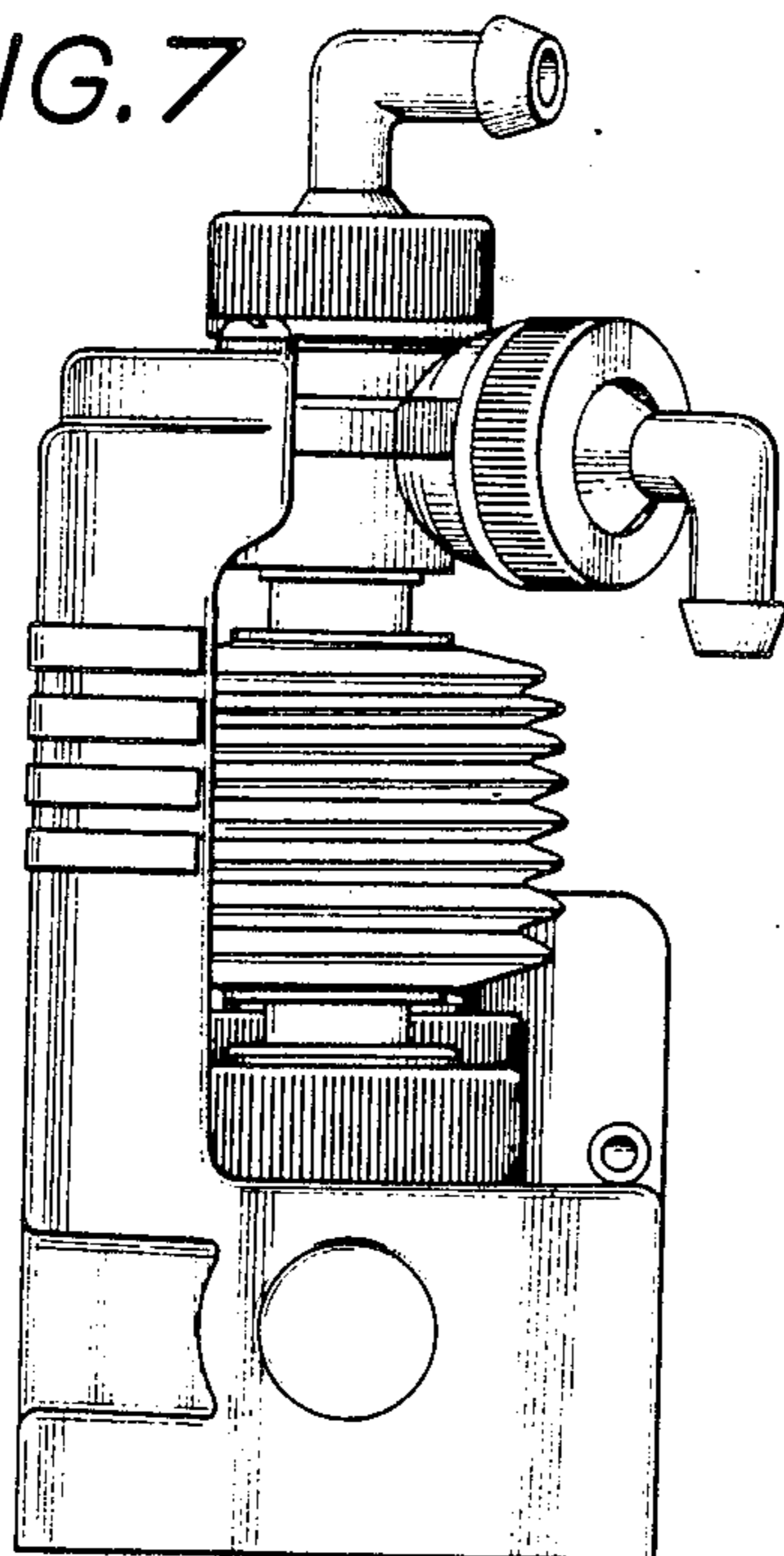


FIG. 8

