

[54] AUTOMATIC LIGHT SOCKET

[75] Inventor: Kenneth R. Fenne, Glen Ellyn, Ill.

[73] Assignee: Pittway Corporation, Northbrook, Ill.

[**] Term: 14 Years

[21] Appl. No.: 825,522

[22] Filed: Feb. 3, 1986

[52] U.S. Cl. D13/25; D26/3

[58] Field of Search D26/1, 2, 3, 26; 313/315, 317, 318, 113, 493; 362/217; 315/53, 56, 57, 58; 439/226-245, 366, 611, 612, 617, 753

[56] References Cited

U.S. PATENT DOCUMENTS

- D. 217,466 5/1970 Garrett D13/25
- D. 284,757 7/1986 Engel D26/3
- 612,560 10/1898 Griggall 439/245
- 4,211,959 7/1980 Deavenport et al. D13/25 X

OTHER PUBLICATIONS

Sporty'S Tool Shop Catalog, ©1983, p. 44, Photo Electric Light Control Socket.

Smart-Socket literature.

Photographs of Smart Socket, currently made by Costa.

Page from Intermatic Brochure.
Literature of Diablo Technologies Inc.
Photographs of Hemco Socket.
Photographs of Socket of Unknown Origin.

Primary Examiner—Susan J. Lucas
Attorney, Agent, or Firm—Dressler, Goldsmith, Shore, Sutker & Milnamow, Ltd.

[57] CLAIM

The ornamental design for an automatic light socket, as shown and described.

DESCRIPTION

FIG. 1 is a front elevational view of a first embodiment of an automatic light socket showing my new design; FIG. 2 is a side elevational view thereof, the other side being identical; FIG. 3 is a rear elevational view thereof; FIG. 4 is a top plan view thereof; FIG. 5 is a bottom plan view thereof; FIG. 6 is a front elevational view of a second embodiment of the automatic light socket; FIG. 7 is a side elevational view thereof, the other side being identical; FIG. 8 is a rear elevational view thereof; FIG. 9 is a top plan view thereof; and FIG. 10 is a bottom plan view thereof.

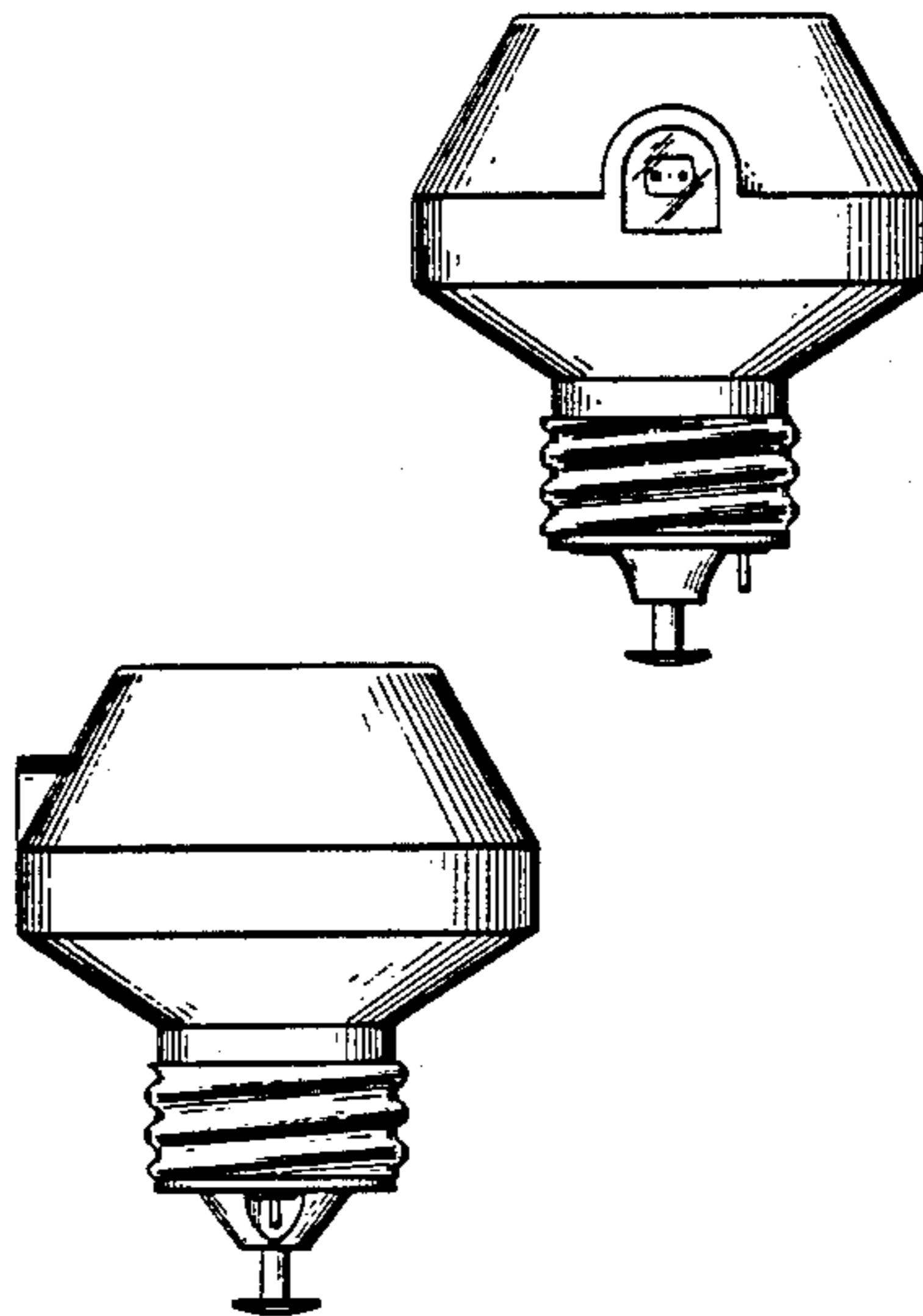


FIG. 1

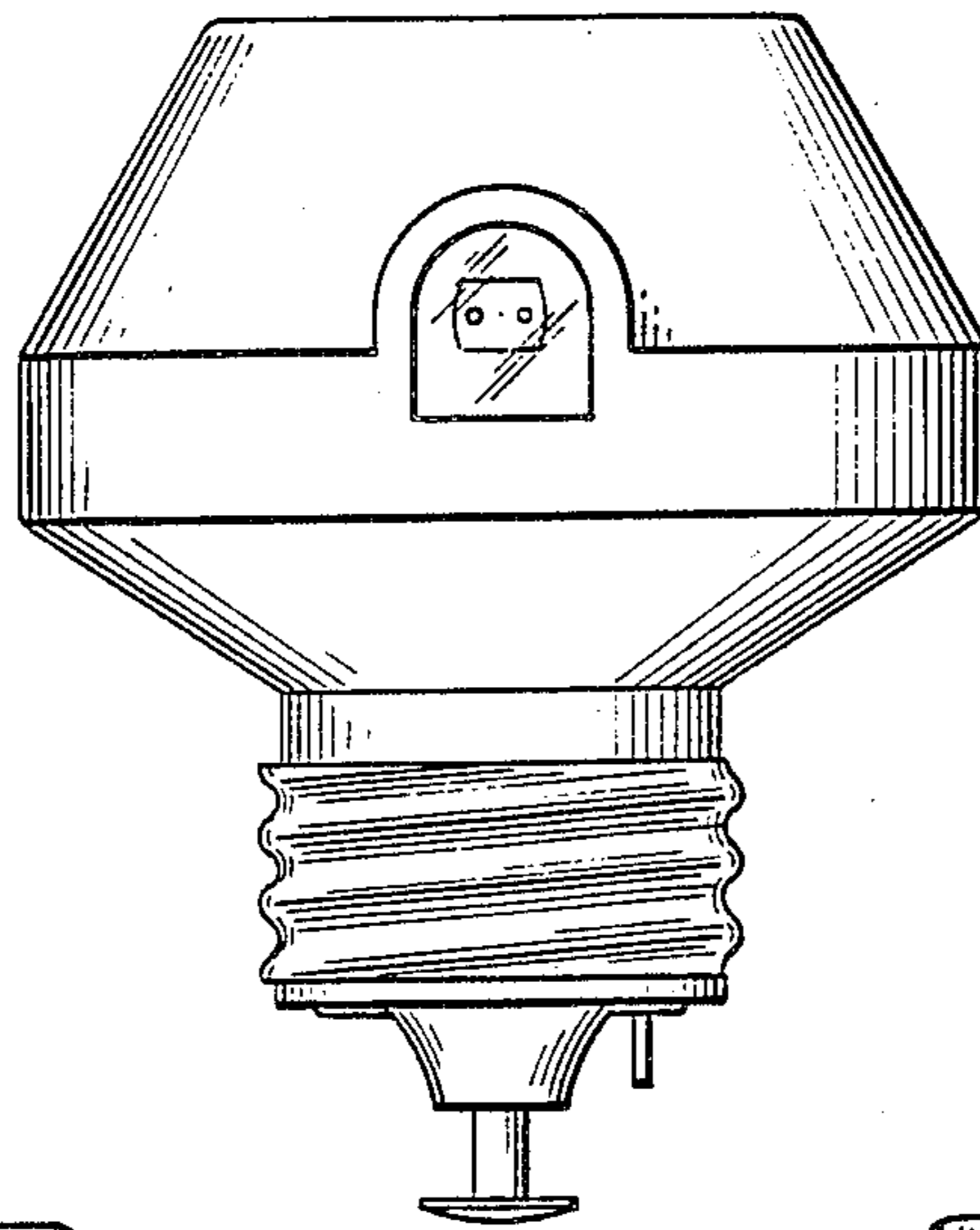


FIG. 2

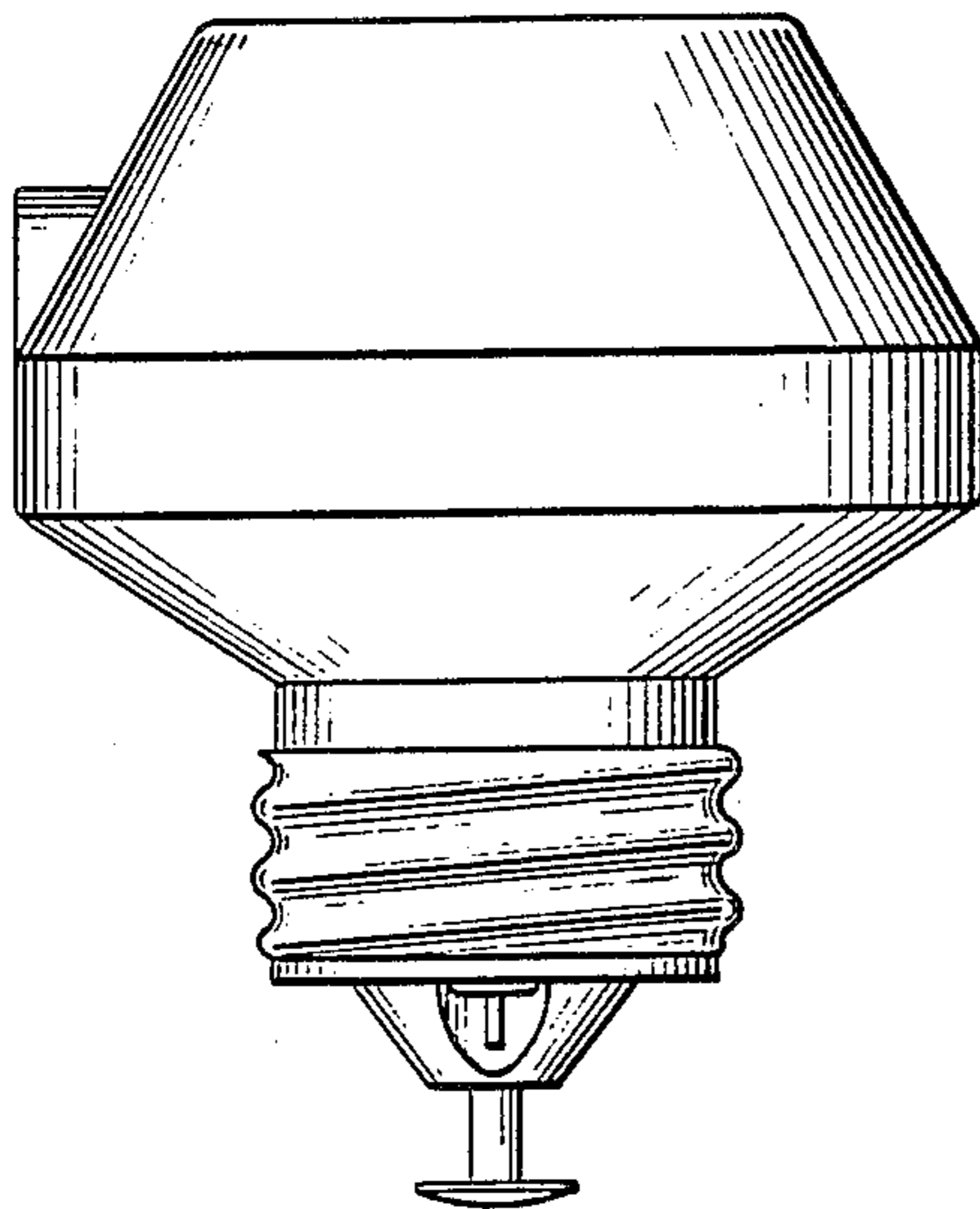


FIG. 3

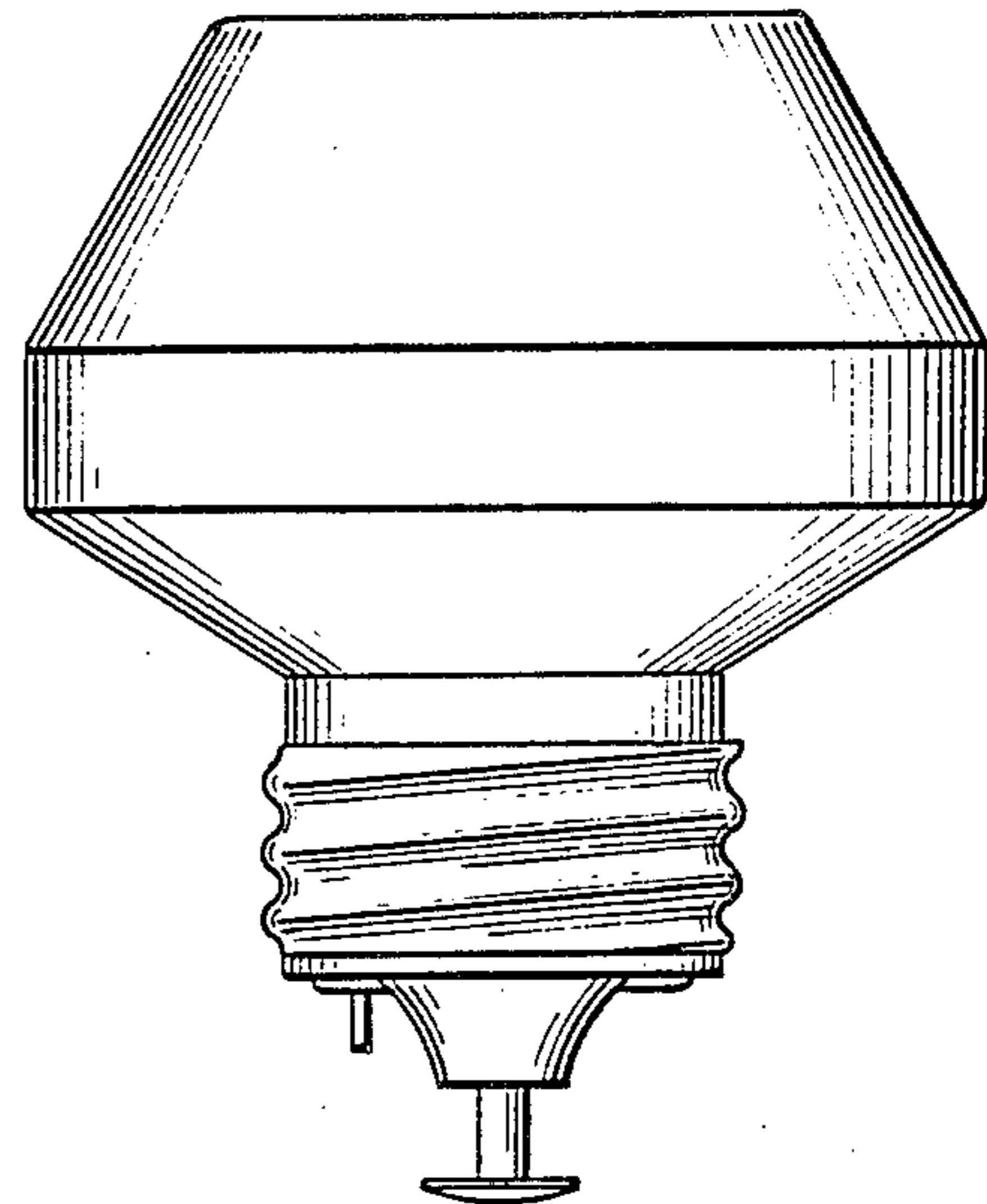


FIG. 4

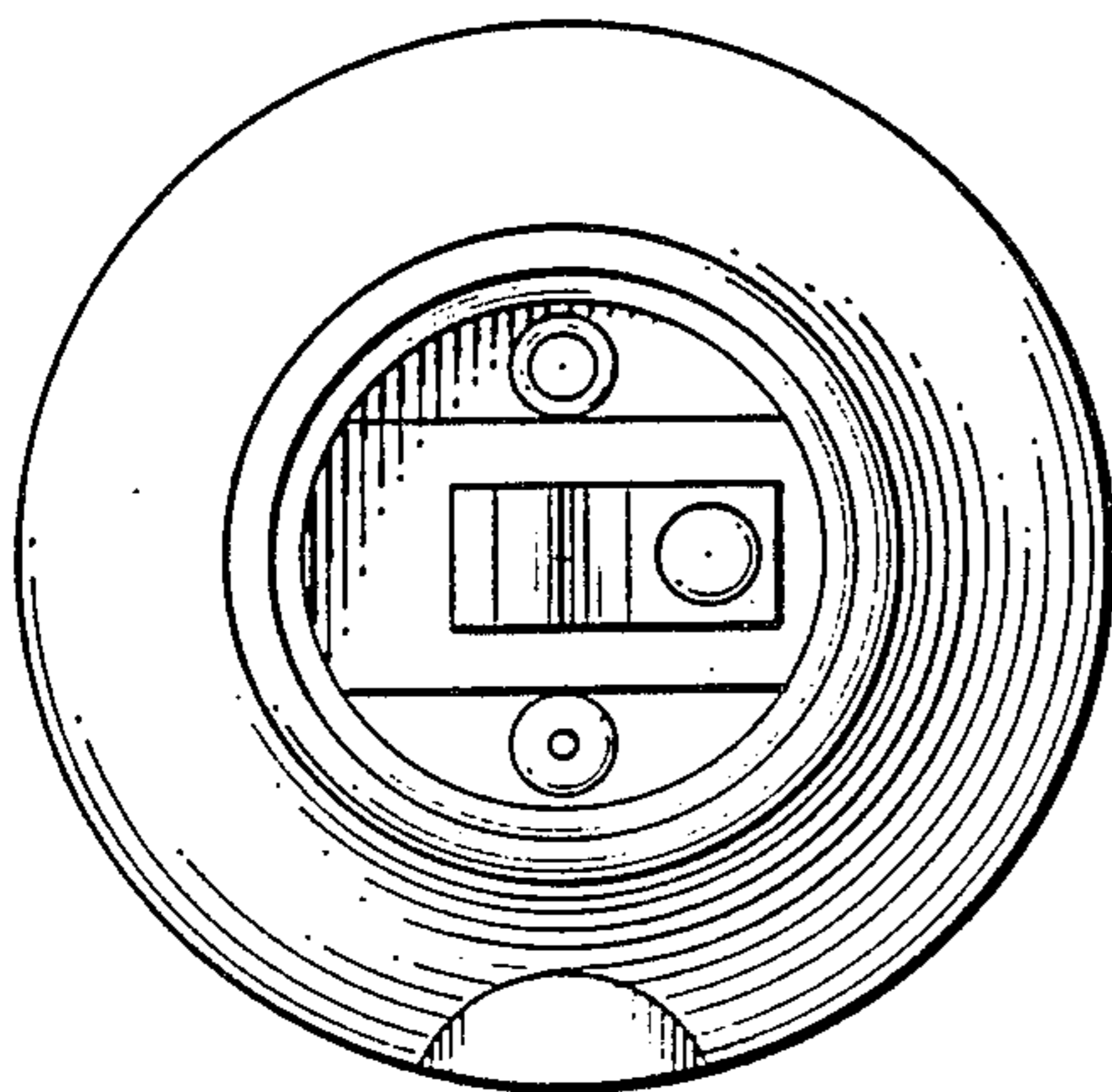


FIG. 5

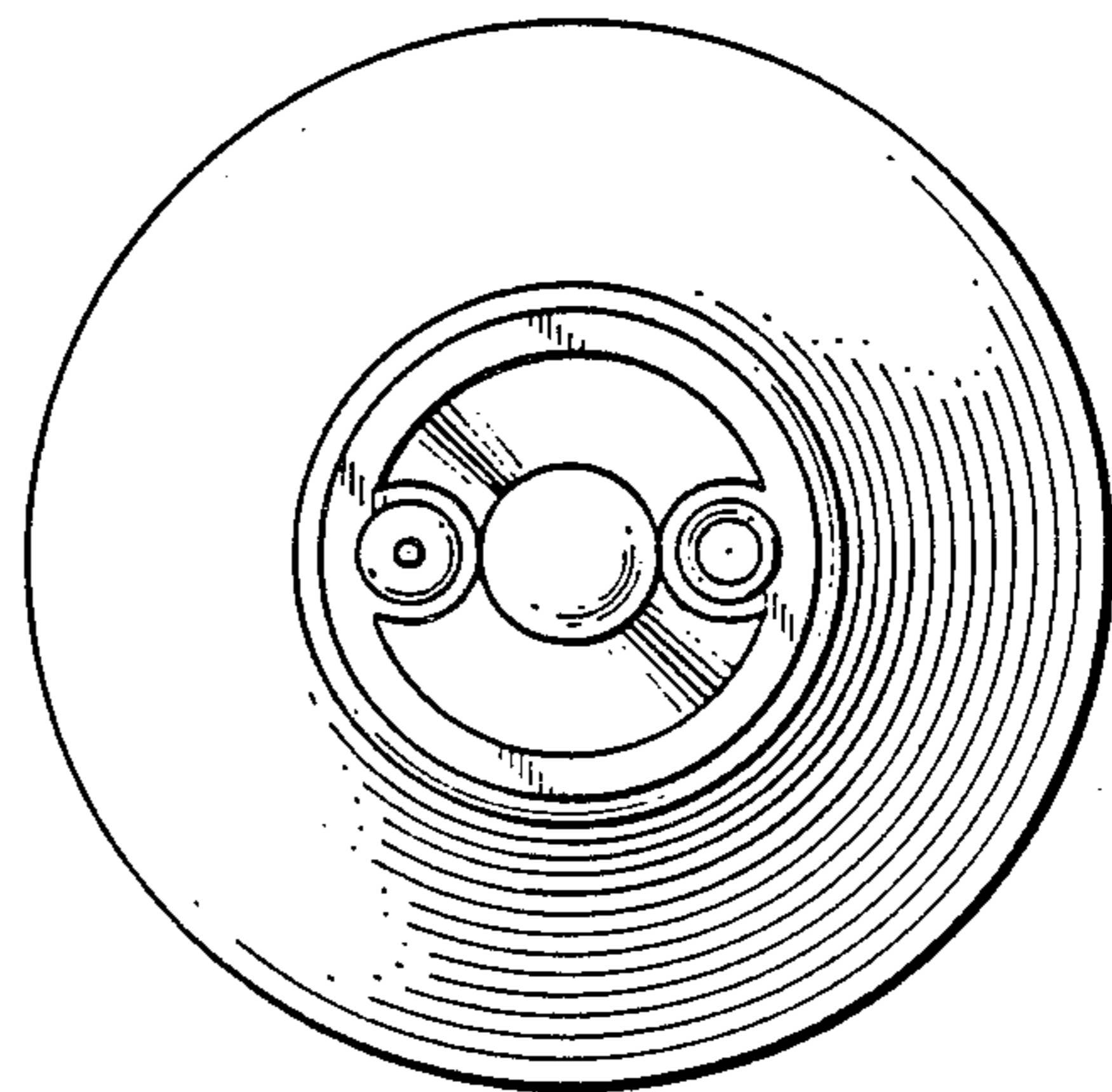


FIG. 6

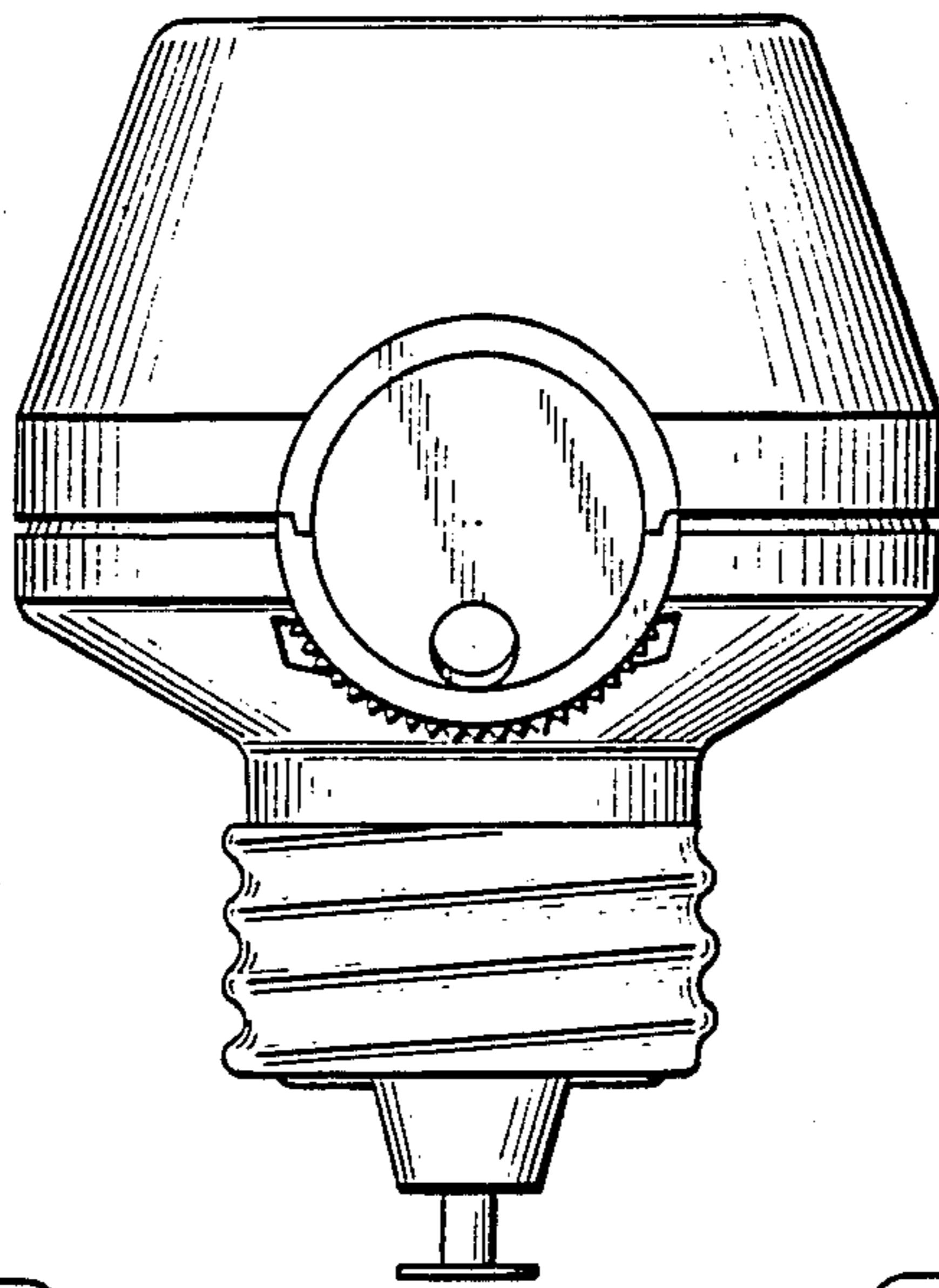


FIG. 7

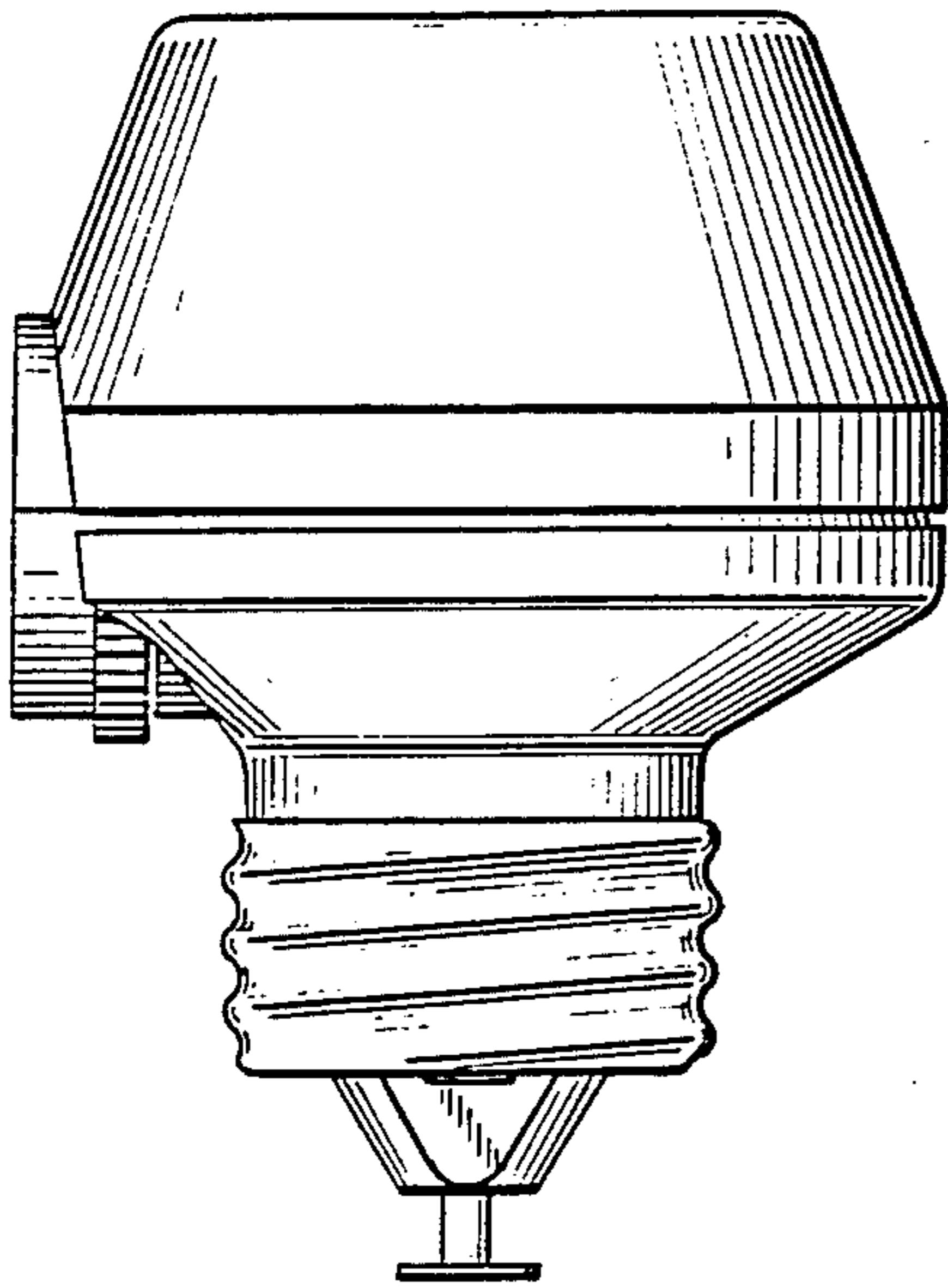


FIG. 8

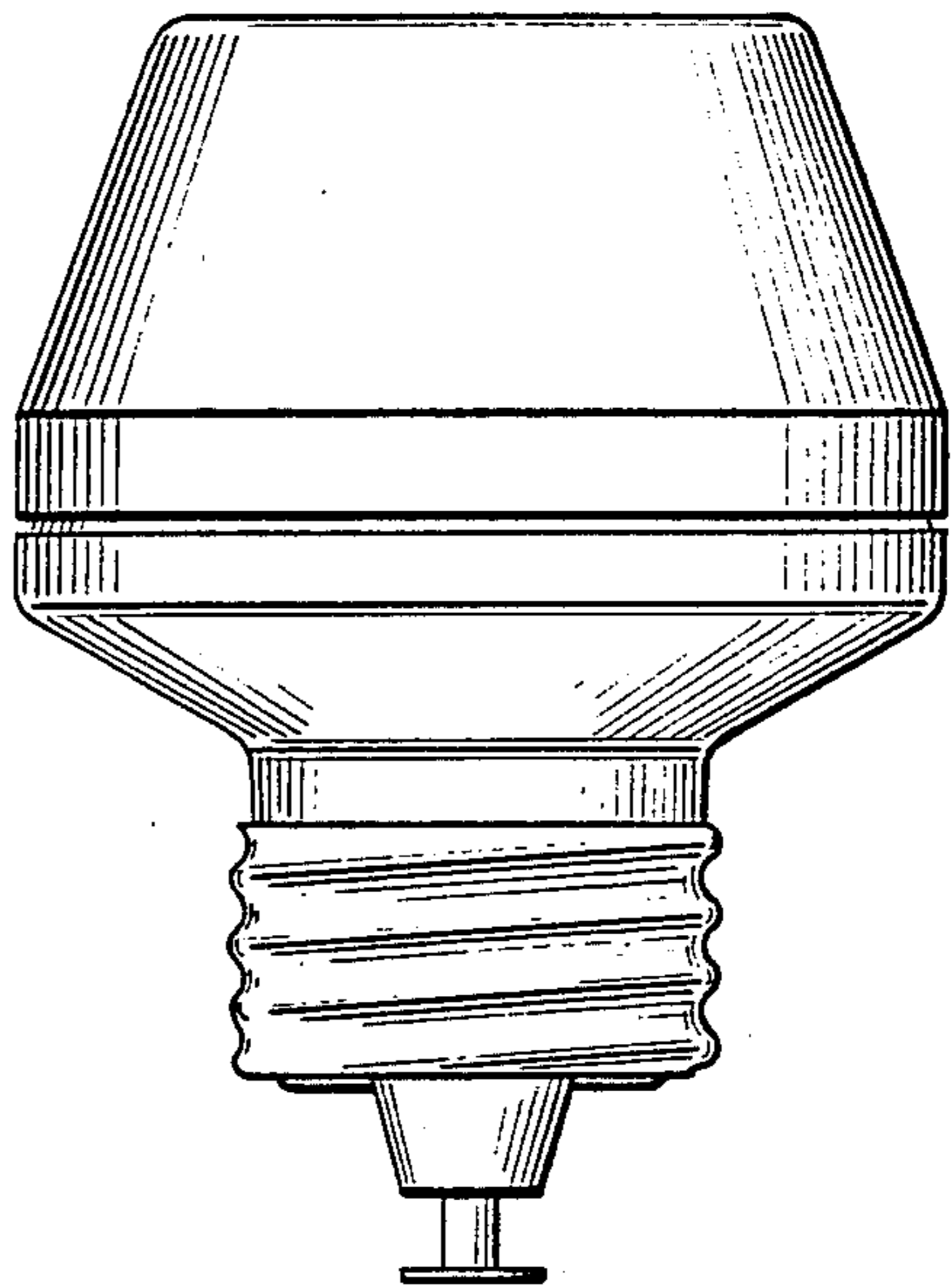


FIG. 9

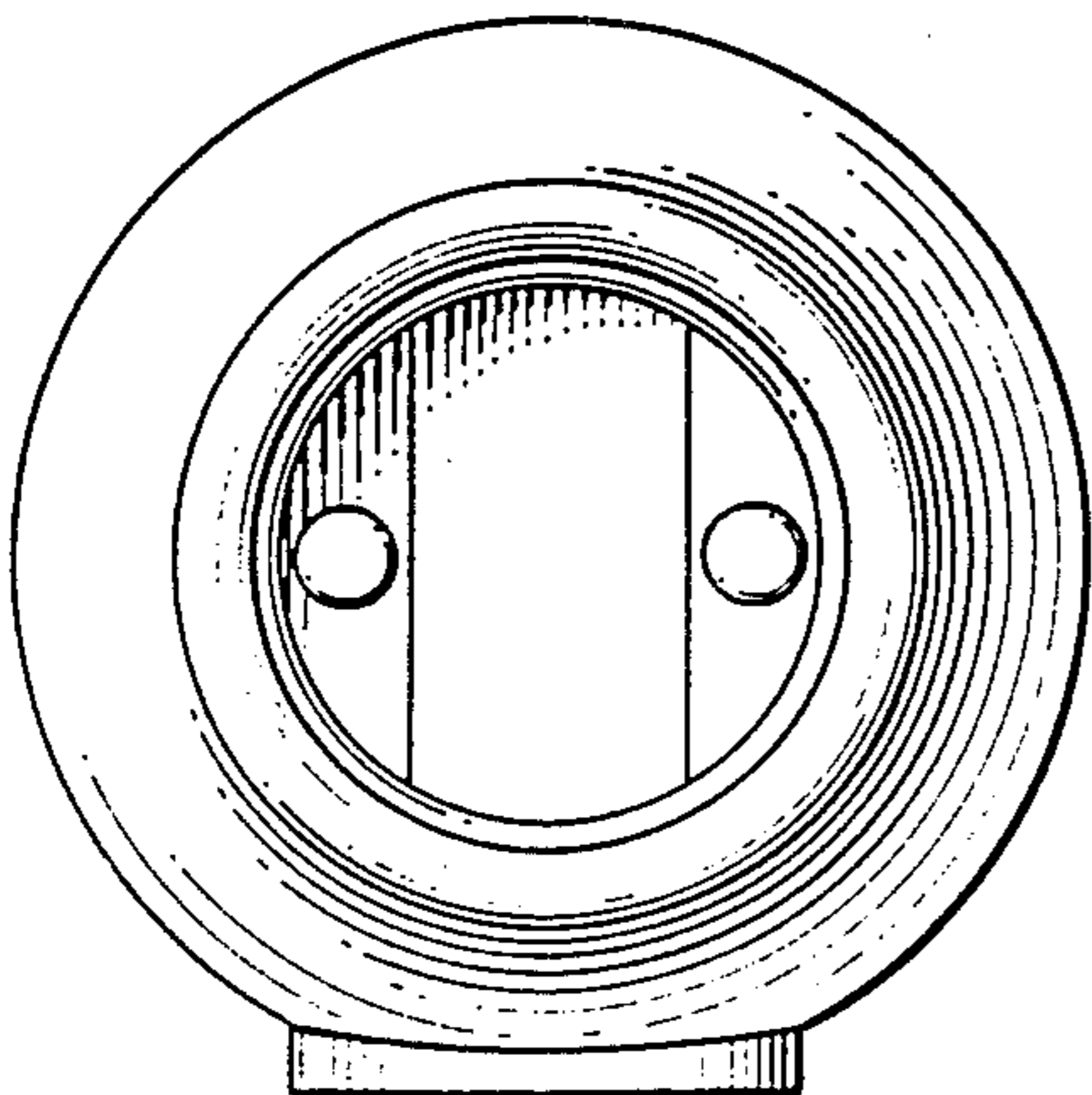


FIG. 10

