

[54] UNIVERSAL GROUNDING AND BONDING CLAMP COMBINATION

Attorney, Agent, or Firm—Charles E. Brown; Charles A. Brown

[76] Inventor: Isaac Sachs, 1240 Ridgewood Dr., Chomedey, Laval, Quebec, Canada, H7W 1L3

[57] CLAIM

The ornamental design for a universal grounding and bonding clamp combination, as shown and described.

[**] Term: 14 Years

DESCRIPTION

[21] Appl. No.: 786,528

[22] Filed: Oct. 11, 1985

[52] U.S. Cl. D13/13; D13/24

[58] Field of Search D8/394-396; D13/13, 24, 99; 439/100, 800, 801, 804, 808, 809

FIG. 1 is a perspective view of a universal grounding and bonding clamp combination showing my new design, in the closed position;

FIG. 2 is an enlarged side view thereof;

FIG. 3 is an enlarged end view taken from the left of FIG. 2;

FIG. 4 is an enlarged end view taken from the right of FIG. 2;

FIG. 5 is an enlarged top view thereof;

FIG. 6 is an enlarged bottom view thereof;

FIG. 7 is another perspective view thereof, in the open position;

FIG. 8 is an enlarged side view of FIG. 7 in the open position;

FIG. 9 is an enlarged end view taken from the left of FIG. 8;

FIG. 10 is an enlarged end view taken from the right of FIG. 8.

The top and bottom views in the open position are the same as FIGS. 5 and 6, respectively.

[56] References Cited

U.S. PATENT DOCUMENTS

- D. 243,404 2/1977 Mooney et al. D13/24
- D. 277,749 2/1985 Todd D8/396

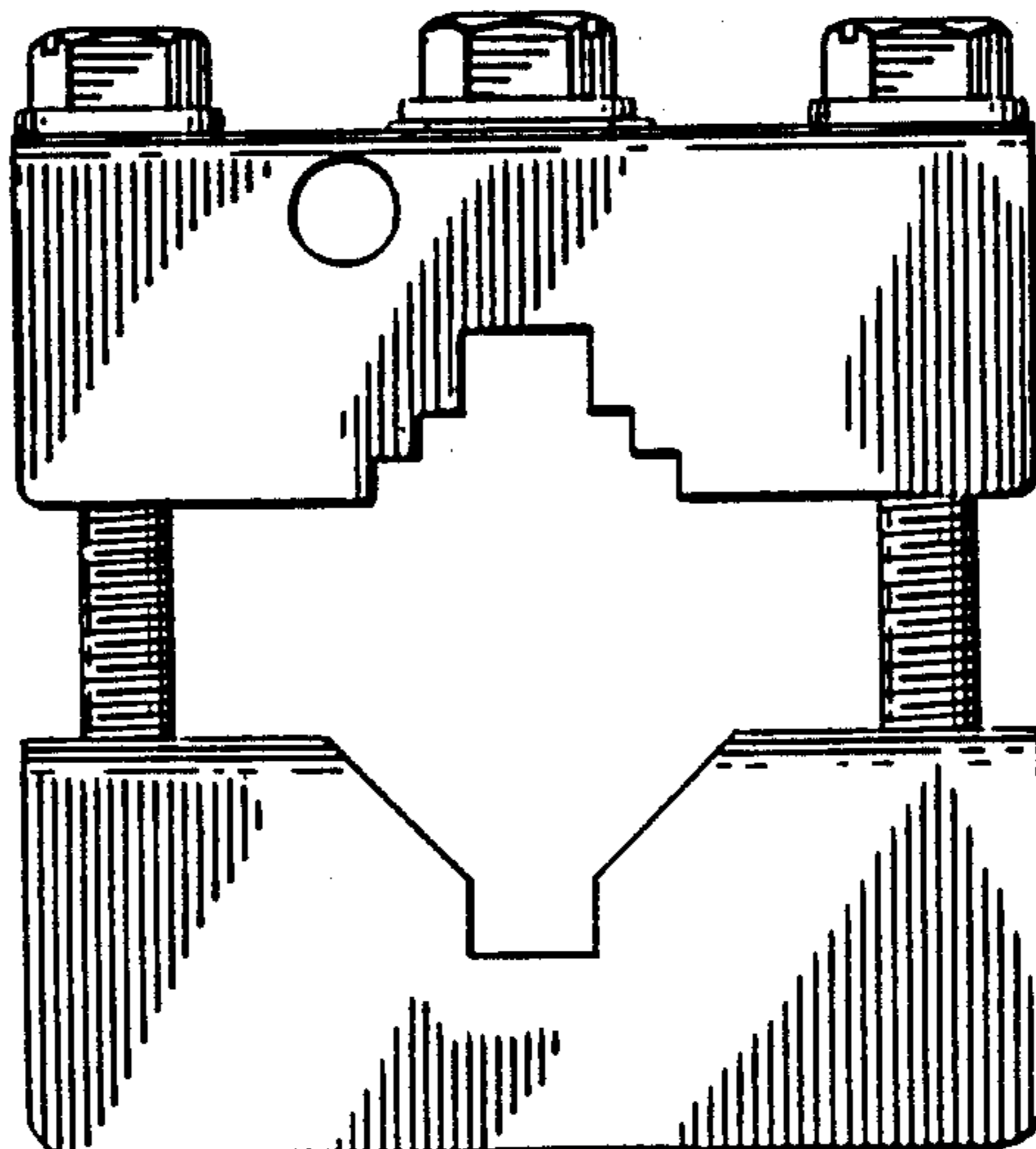
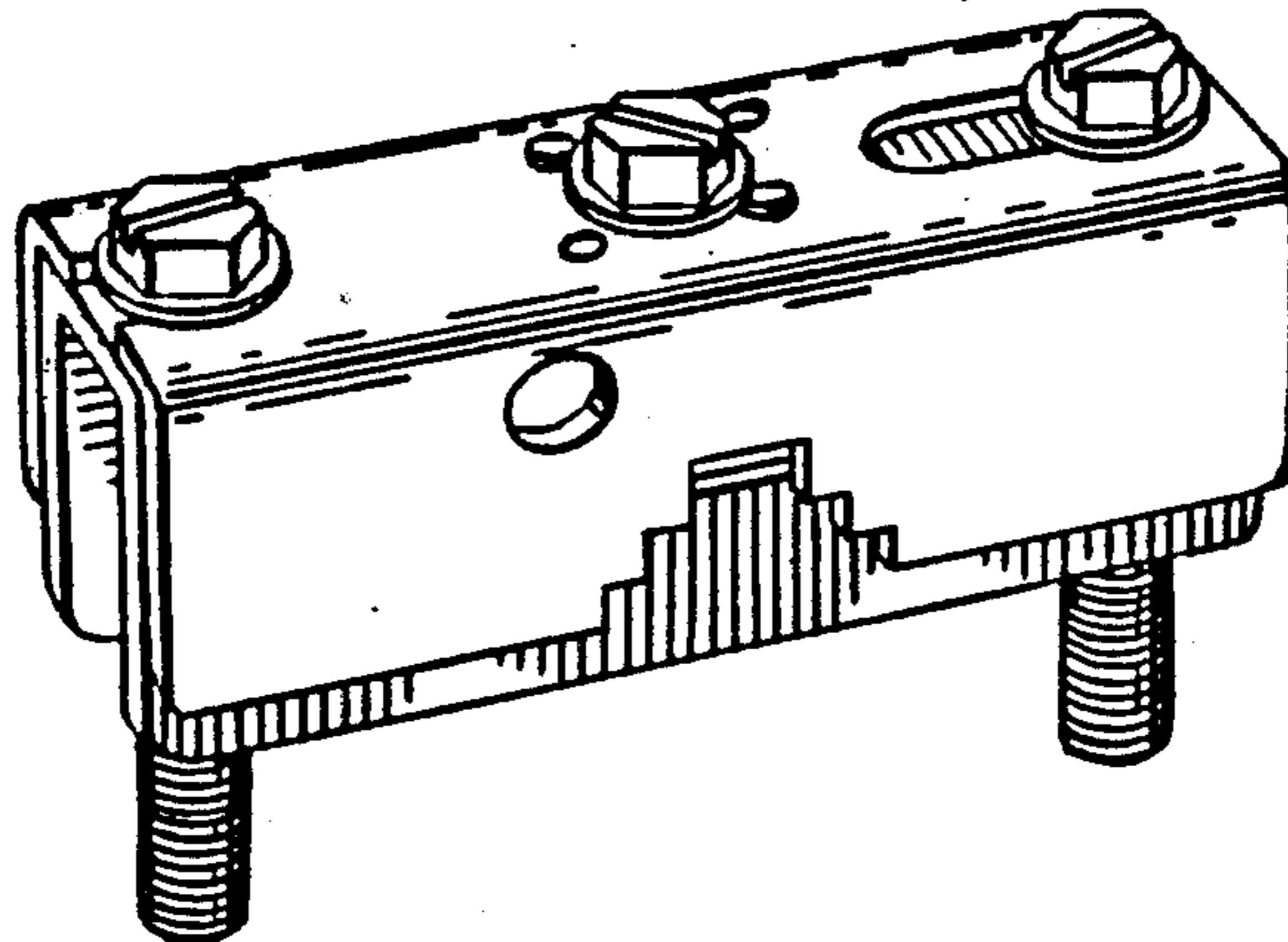
FOREIGN PATENT DOCUMENTS

- 0764967 1/1957 United Kingdom 439/804

OTHER PUBLICATIONS

Teledyne Penn-Union Electric Cat. C1-110; pp. 1-7, Ground Clamp KP.

Primary Examiner—B. J. Bullock



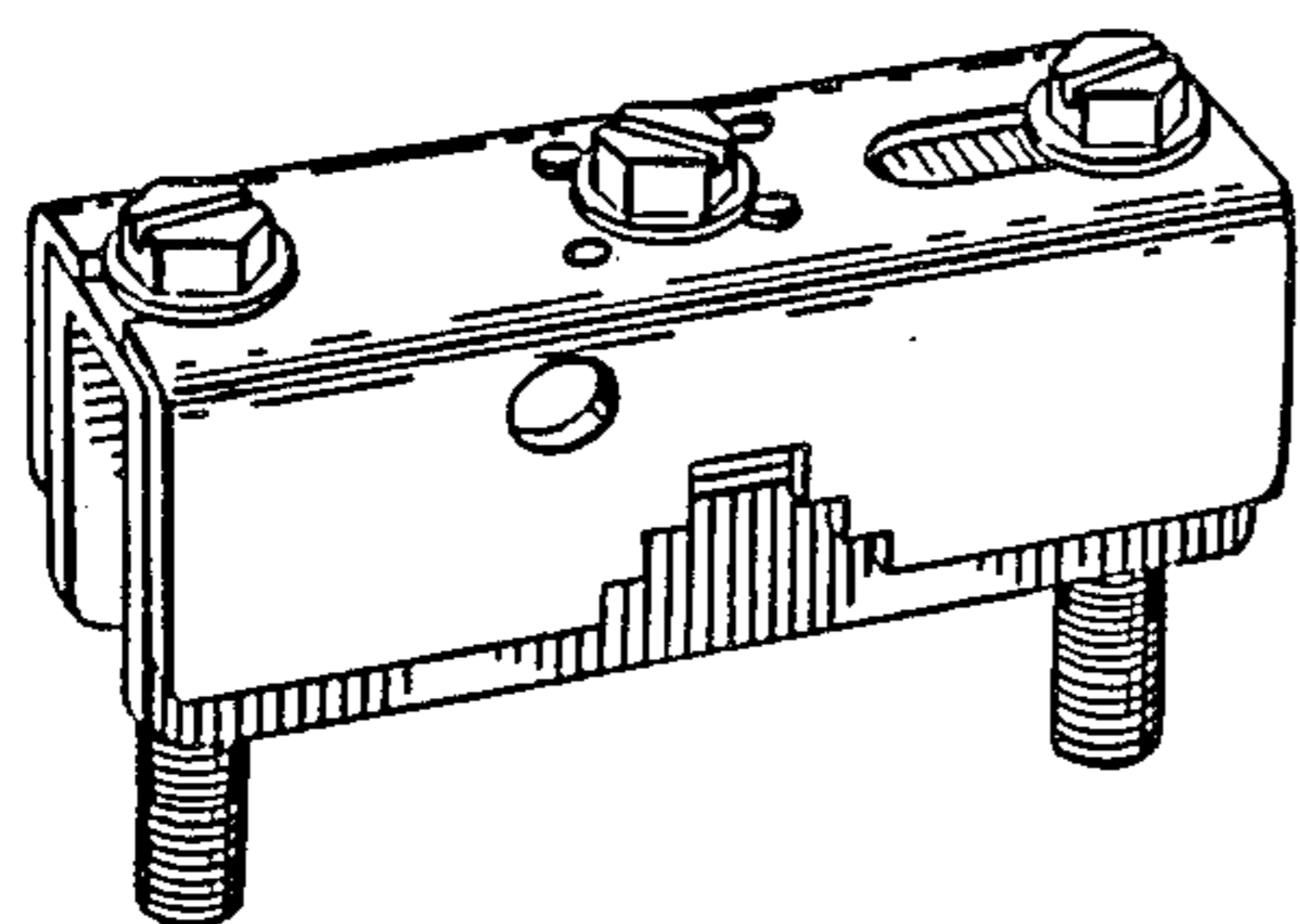


Fig. 1

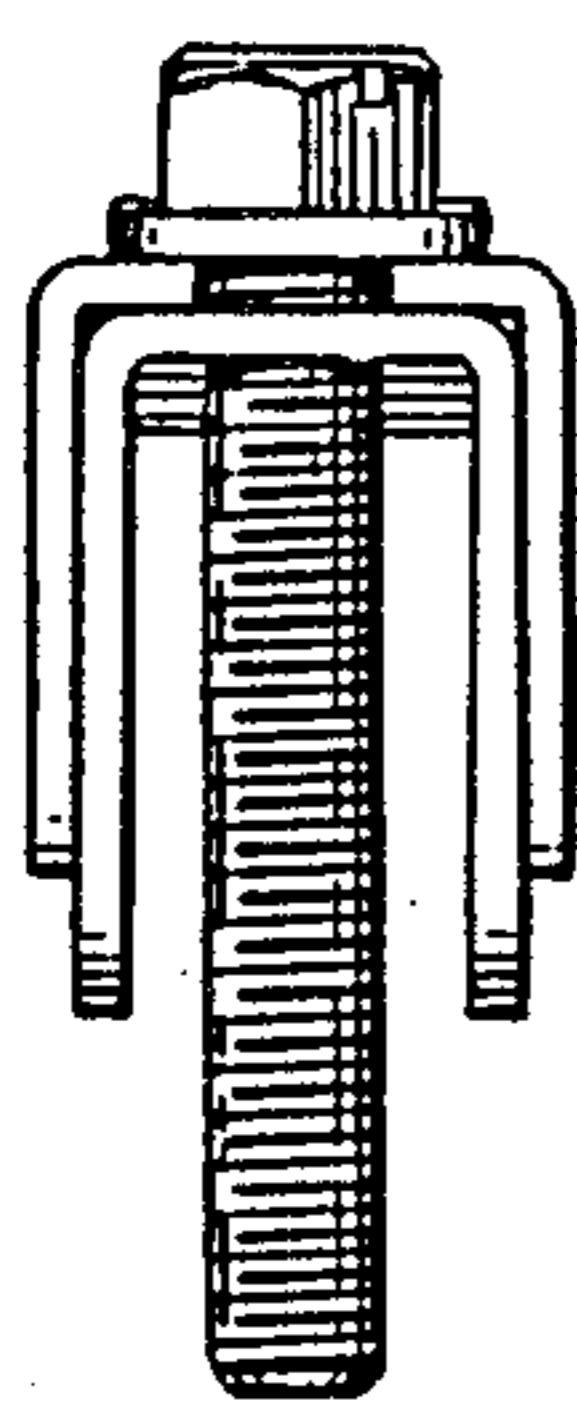


Fig. 3

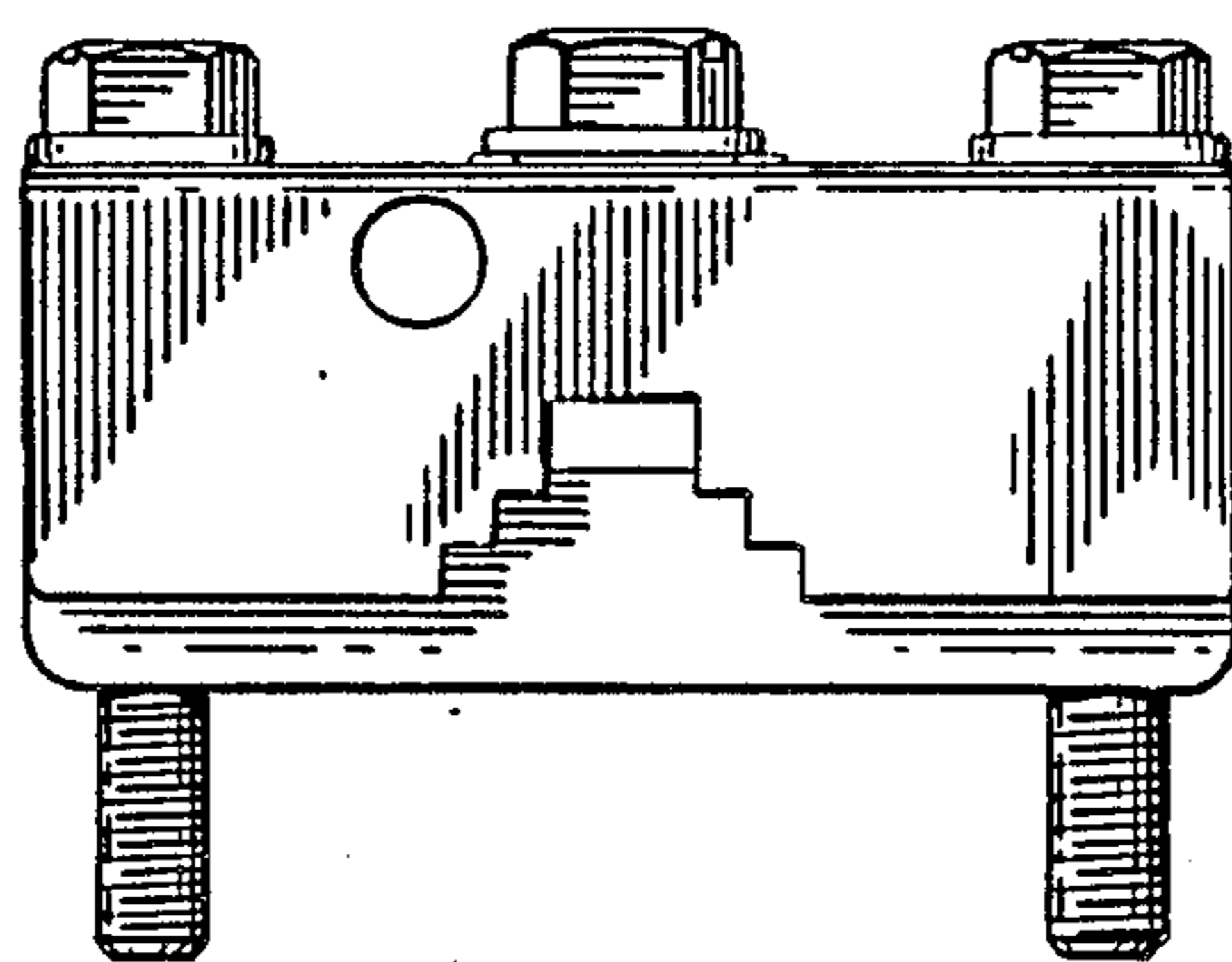


Fig. 2

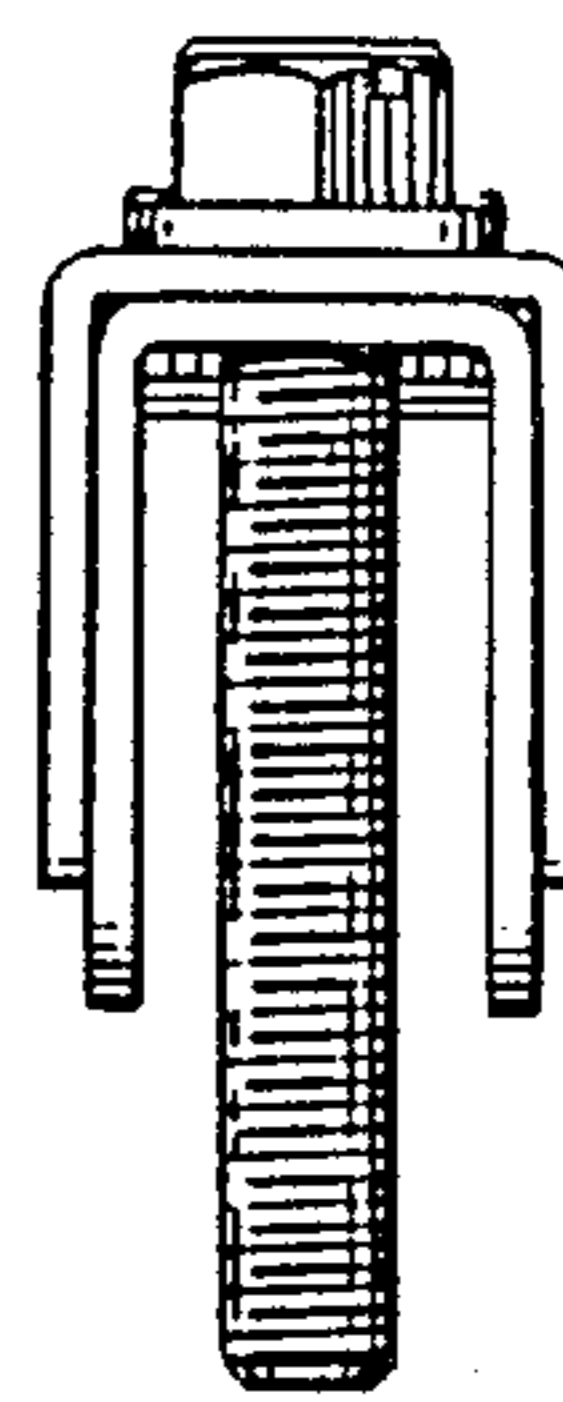


Fig. 4

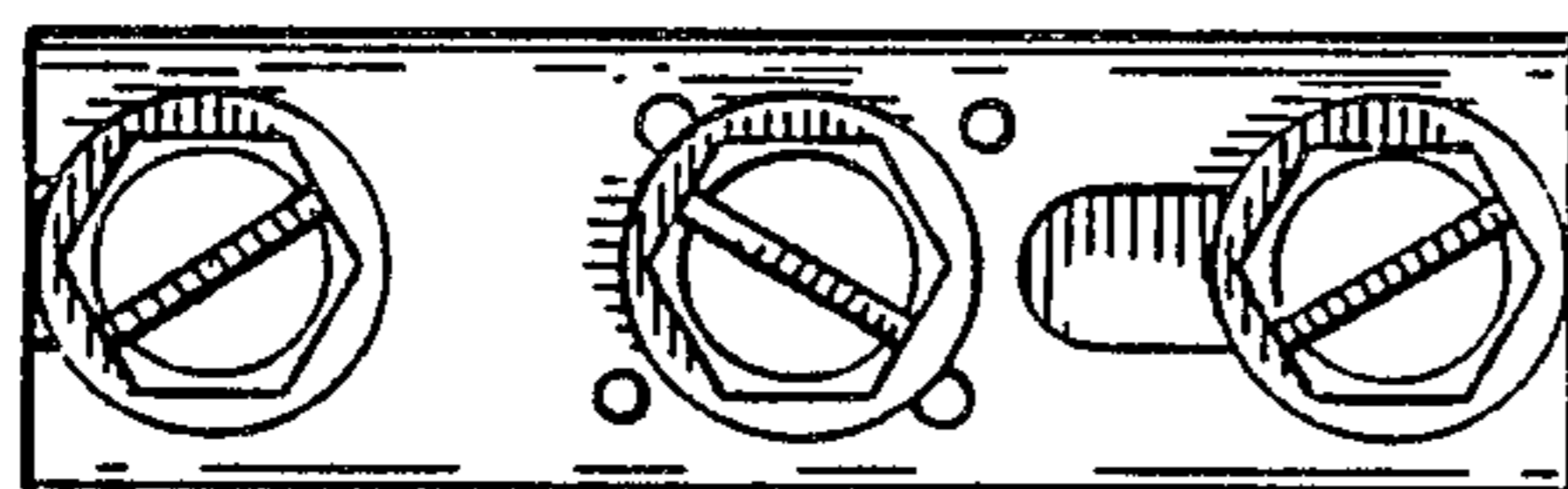
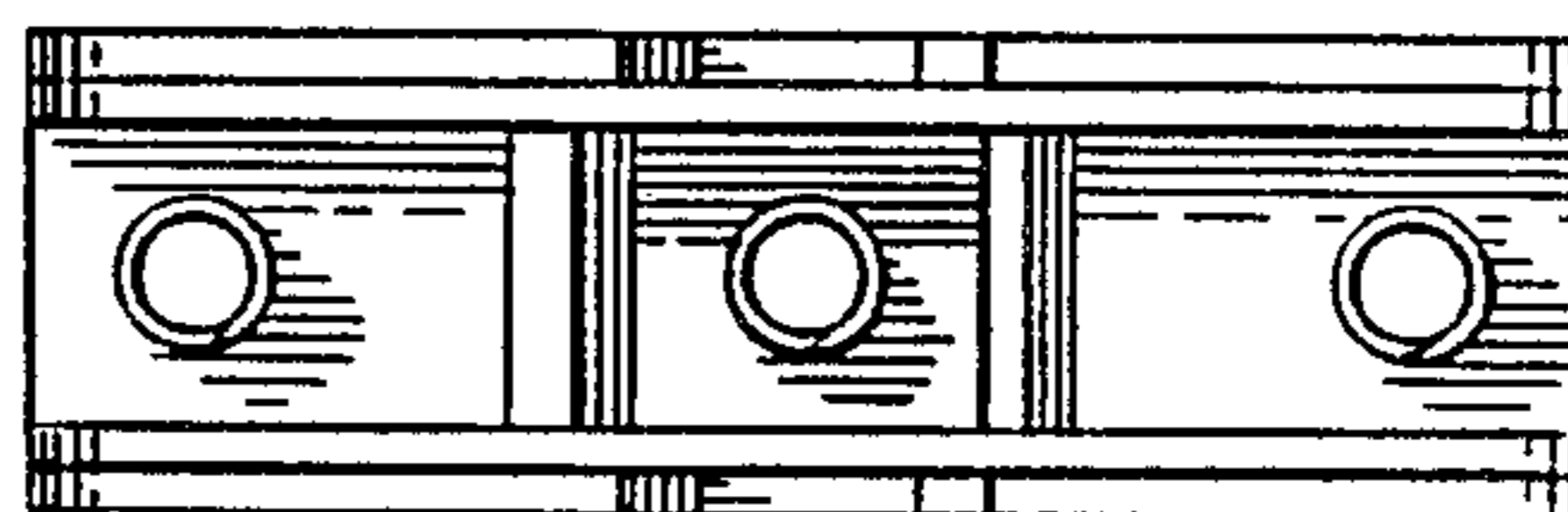


Fig. 5

Fig. 6



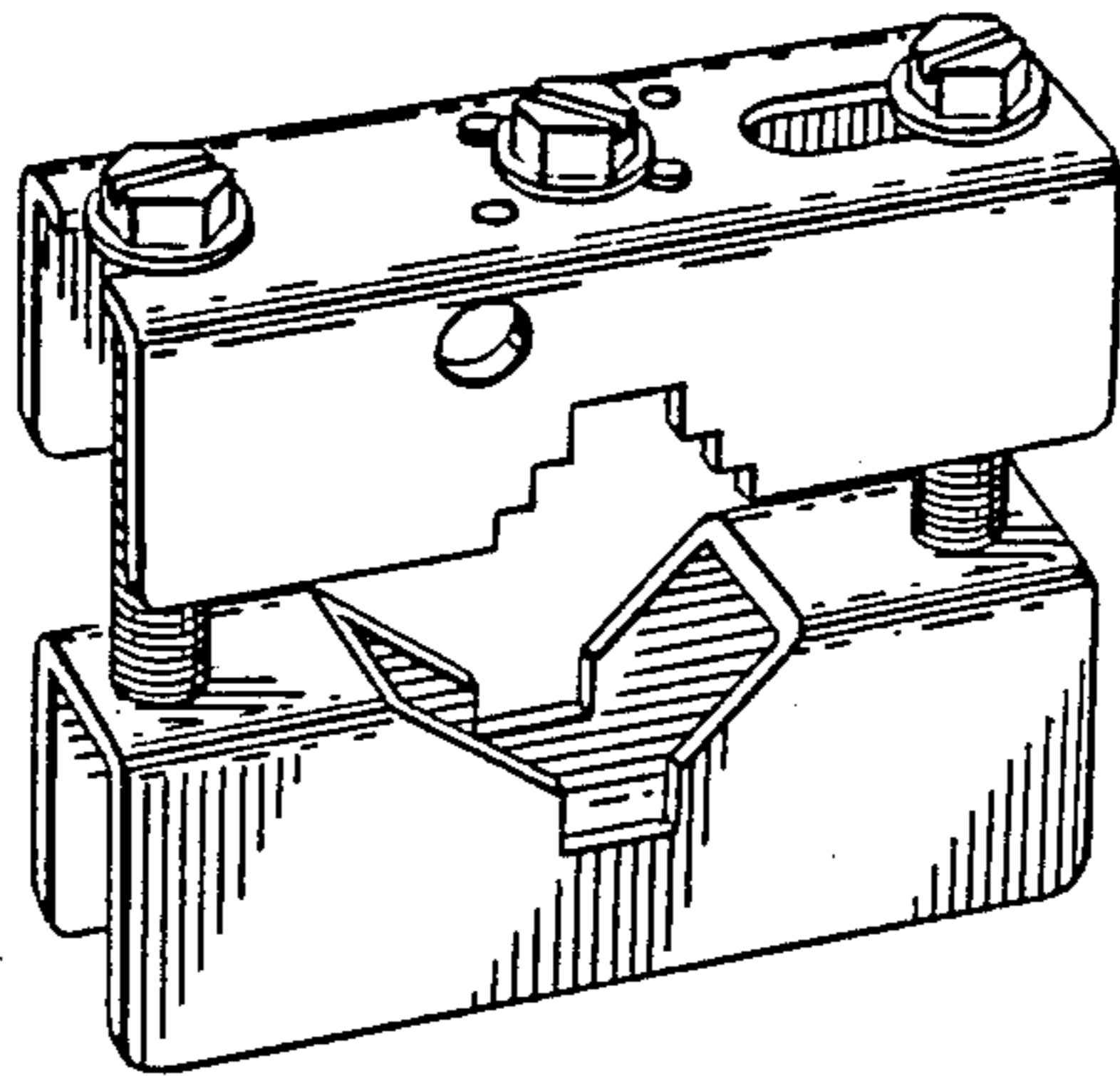


Fig. 7

Fig. 8

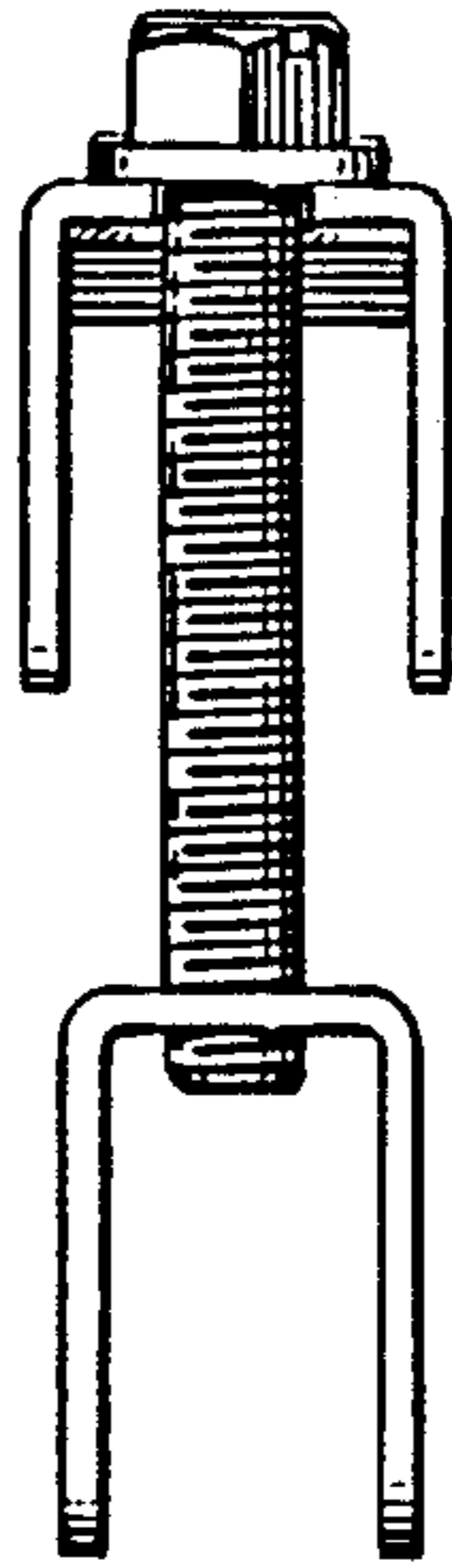
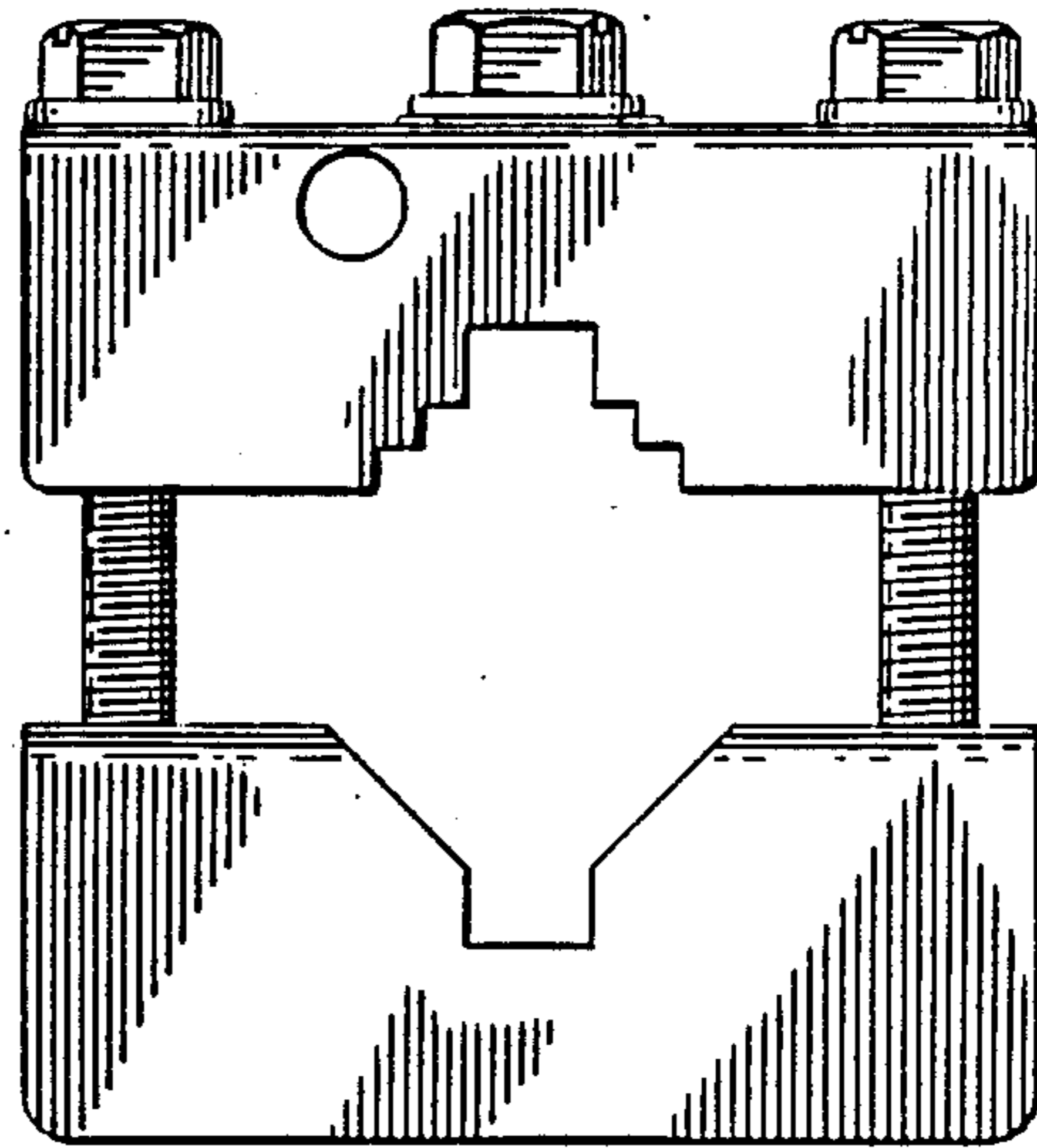


Fig. 9

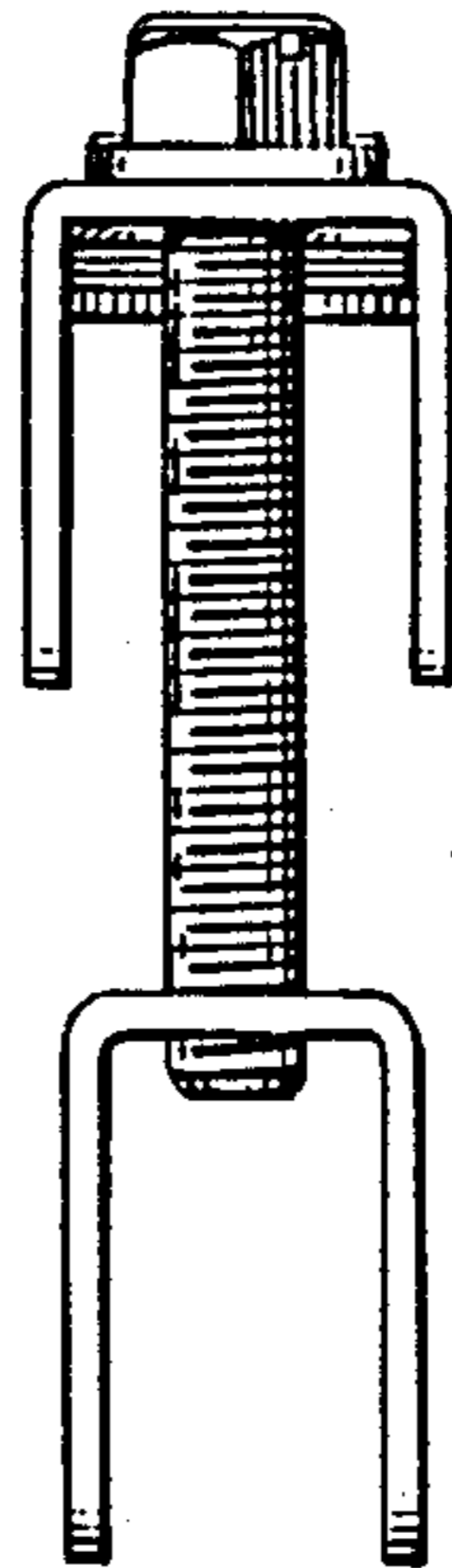


Fig. 10