

[54] UNIVERSAL GROUNDING CLAMP

[76] Inventor: Isaac Sachs, 1240 Ridgewood Dr., Chomedey, Laval, Quebec, Canada, H7W 1L3

[**] Term: 14 Years

[21] Appl. No.: 745,957

[22] Filed: Jun. 18, 1985

[52] U.S. Cl. D13/13; D13/24

[58] Field of Search D8/394-396; D13/13, 24, 99; 439/100, 800, 801, 804, 808, 809

[56] References Cited

U.S. PATENT DOCUMENTS

- D. 243,404 2/1977 Mooney et al. D13/24
- D. 277,749 2/1985 Todd D8/396

FOREIGN PATENT DOCUMENTS

- 0764967 1/1957 United Kingdom 439/804

OTHER PUBLICATIONS

Teledyne Penn-Union Electric Cat. C1-110, pp. 1-7, Ground Clamp KP.

Primary Examiner—B. J. Bullock

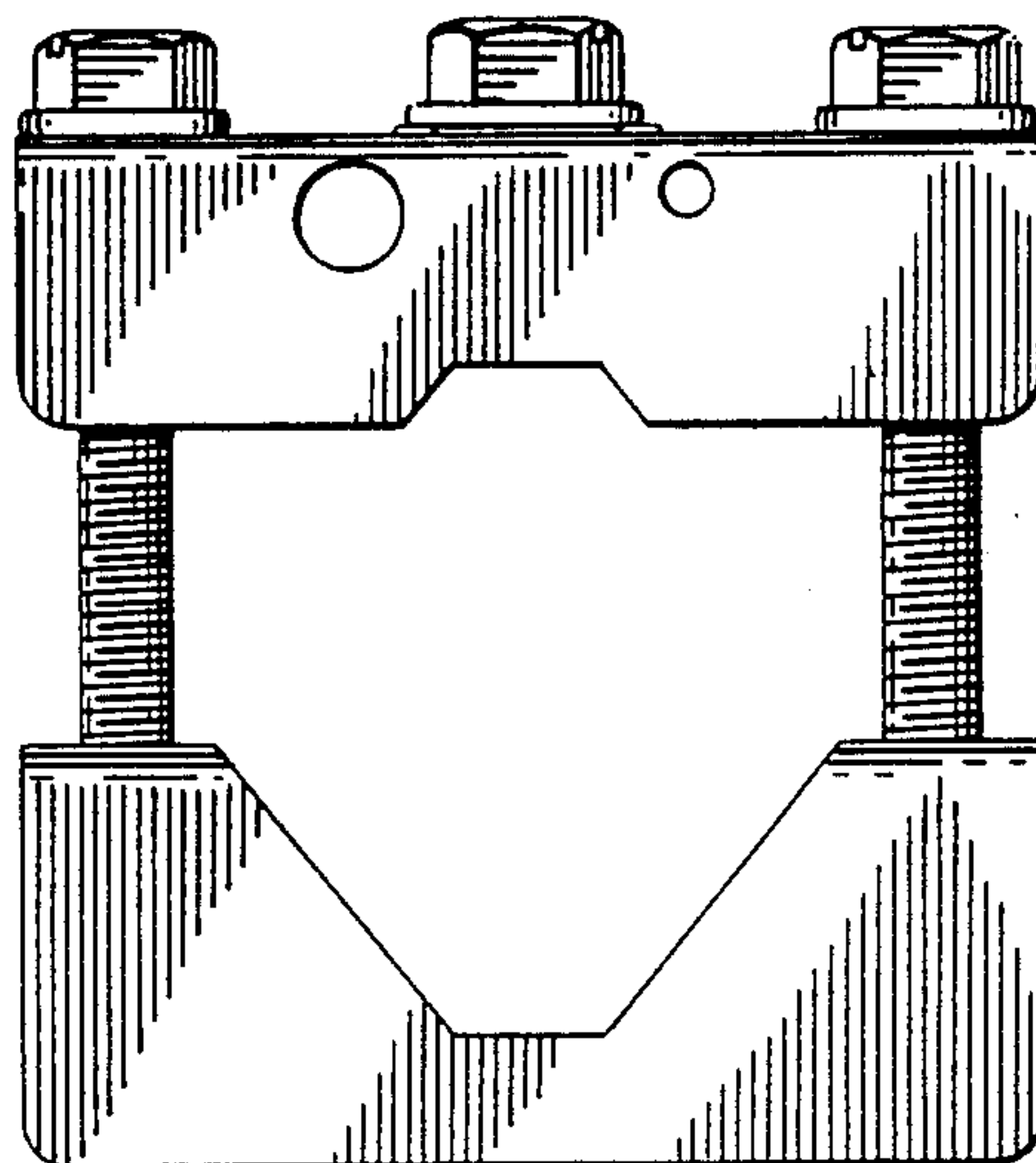
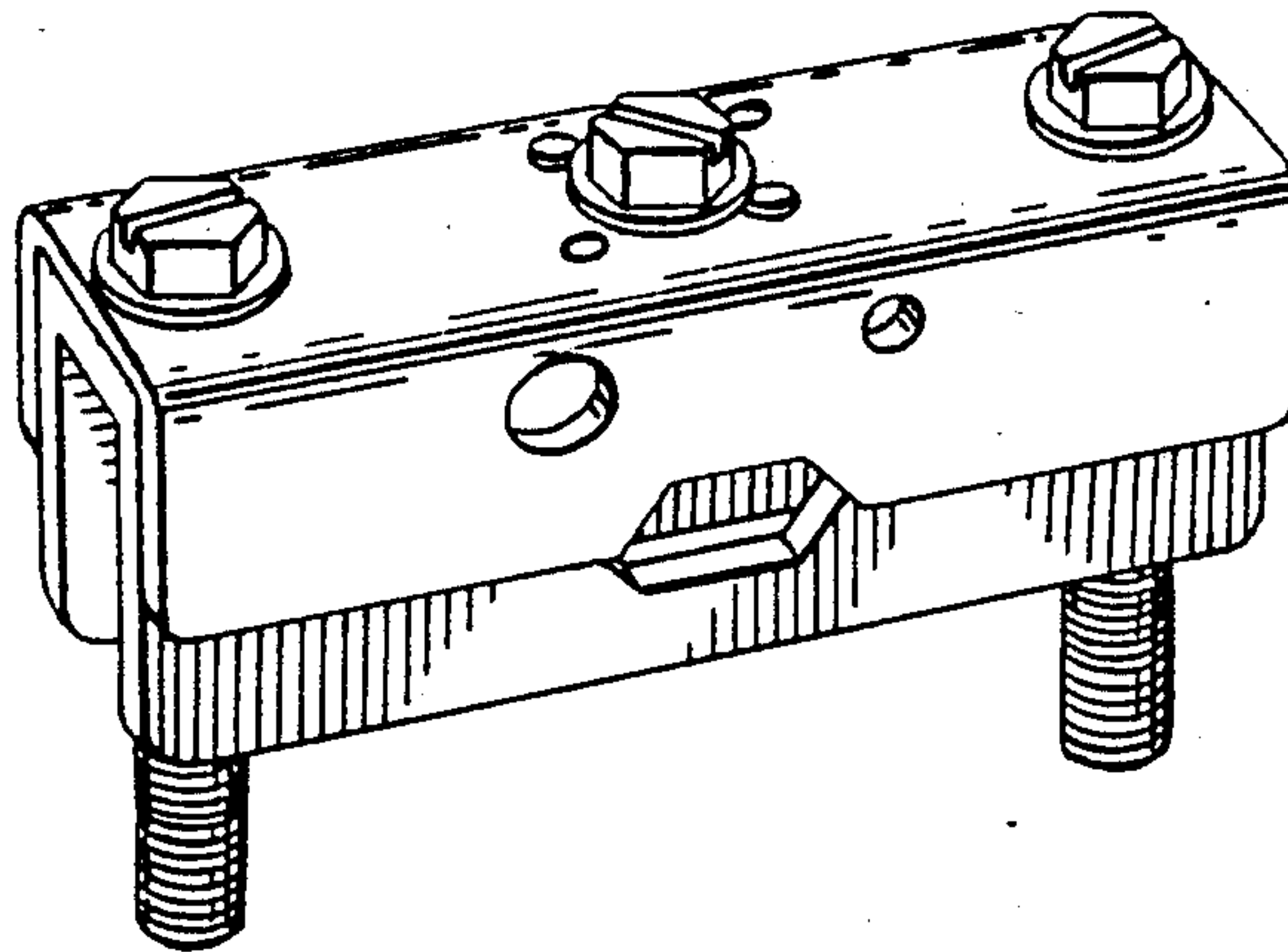
Attorney, Agent, or Firm—Charles E. Brown; Charles A. Brown

[57] CLAIM

The ornamental design for a universal grounding clamp, as shown and described.

DESCRIPTION

FIG. 1 is a perspective view of a universal grounding clamp showing my new design, in the closed position; FIG. 2 is an enlarged side view thereof; FIG. 3 is an enlarged end view taken from the left of FIG. 2; FIG. 4 is an enlarged end view taken from the right of FIG. 2; FIG. 5 is an enlarged top view thereof; FIG. 6 is an enlarged bottom view thereof; FIG. 7 is another perspective view thereof, in the open position; FIG. 8 is an enlarged side view of FIG. 7, in the open position; FIG. 9 is an enlarged end view taken from the left of FIG. 8; FIG. 10 is an enlarged end view taken from the right of FIG. 8. The top and bottom views in the open position being the same as FIGS. 5 and 6, respectively.



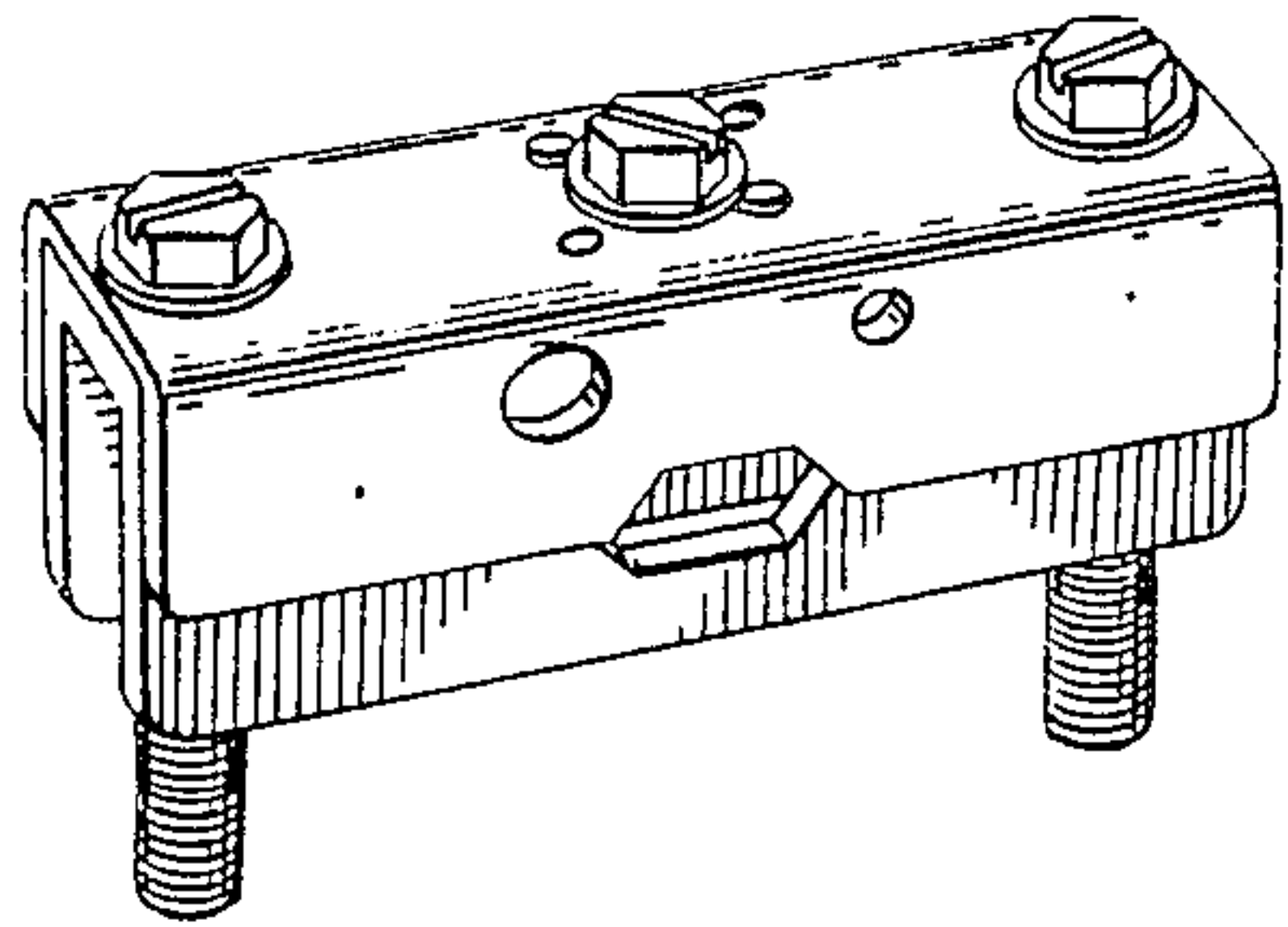


Fig. 1

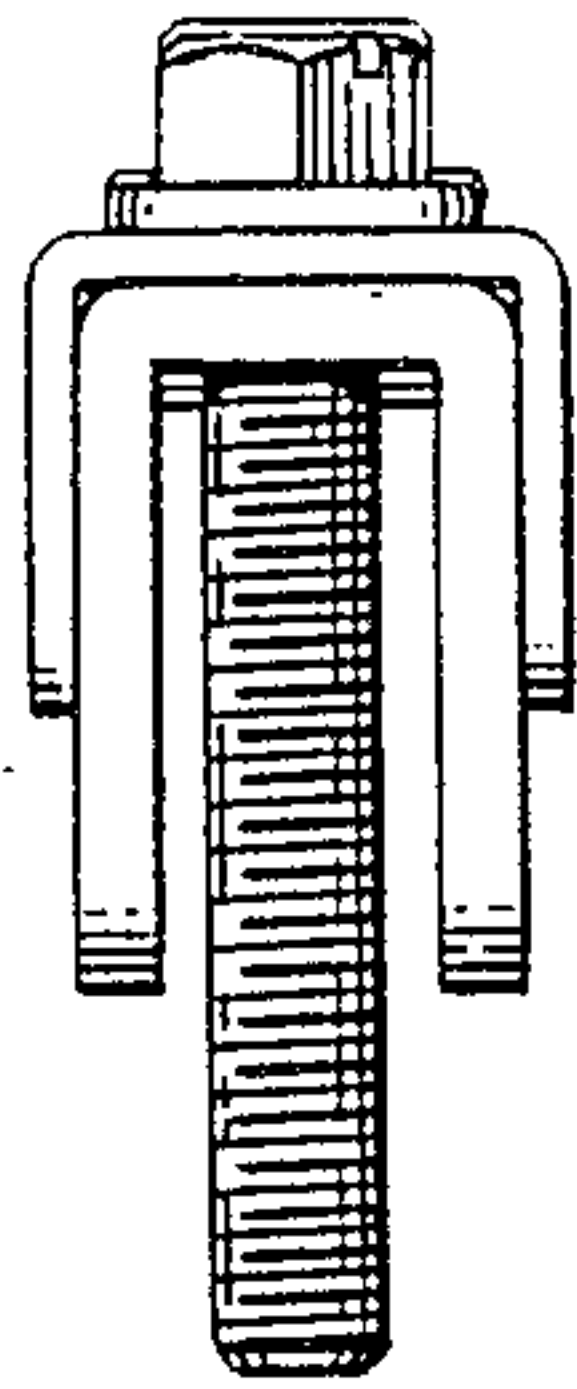


Fig. 3

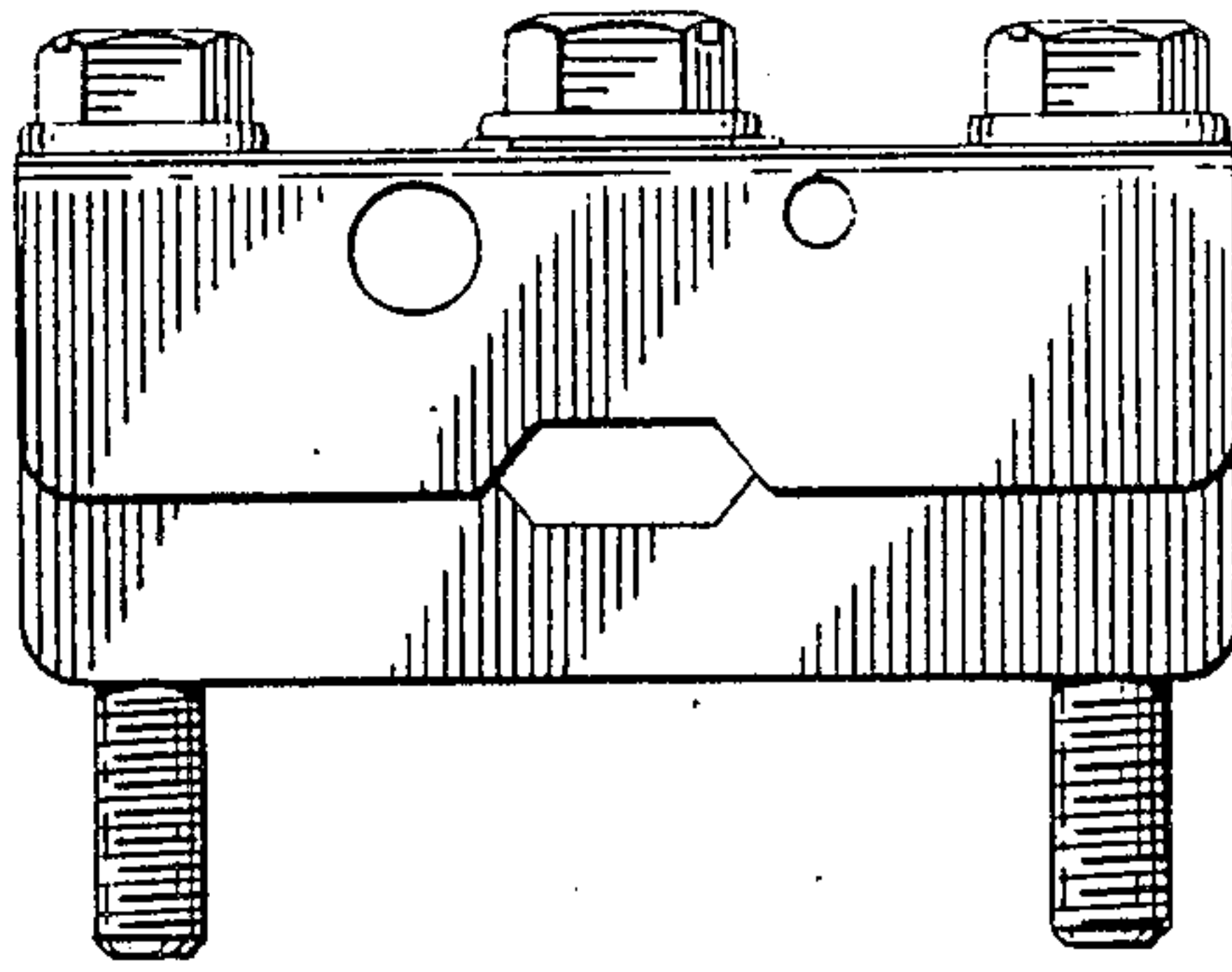


Fig. 2

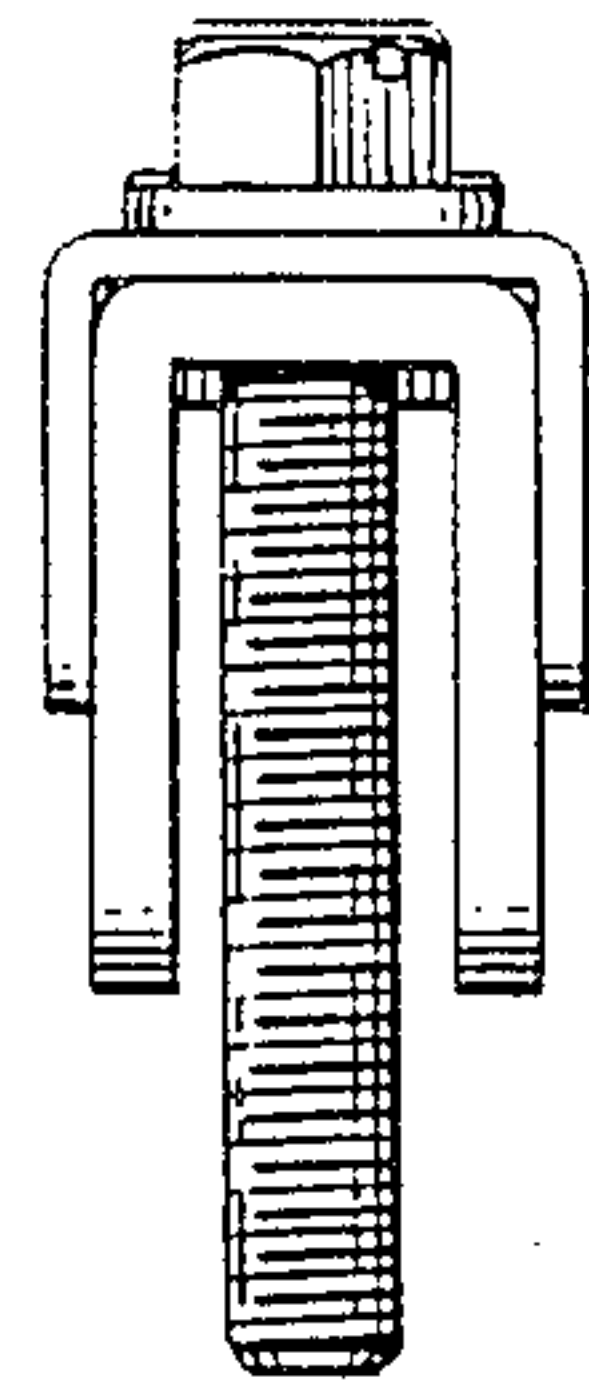


Fig. 4

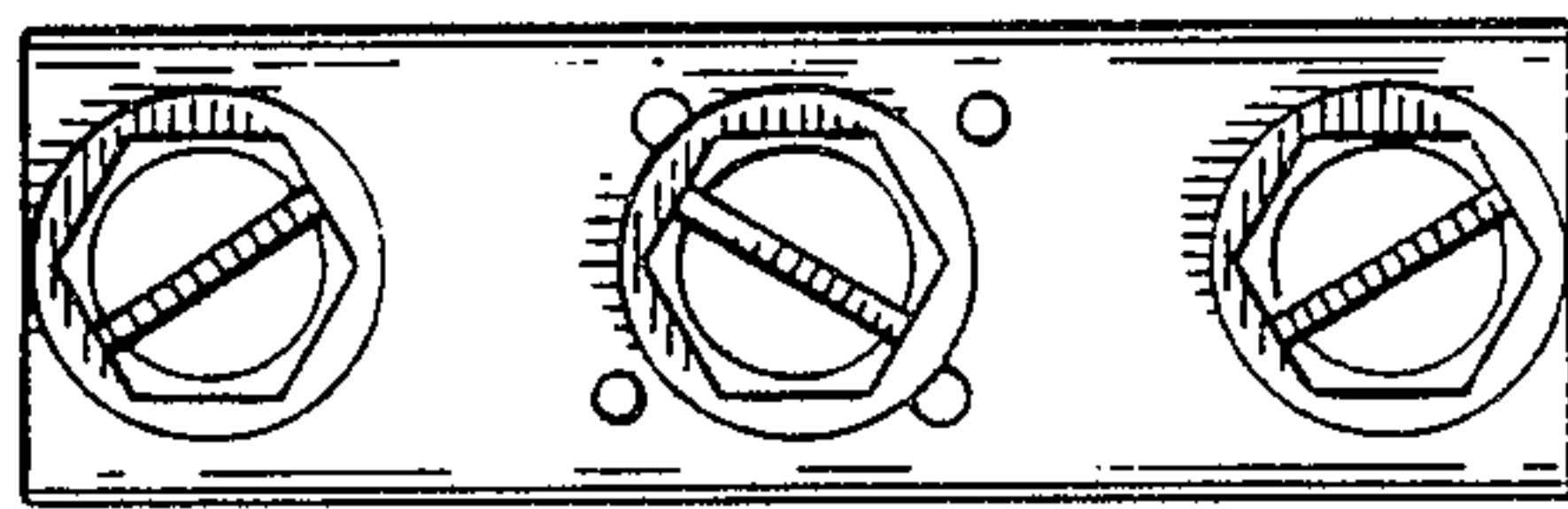
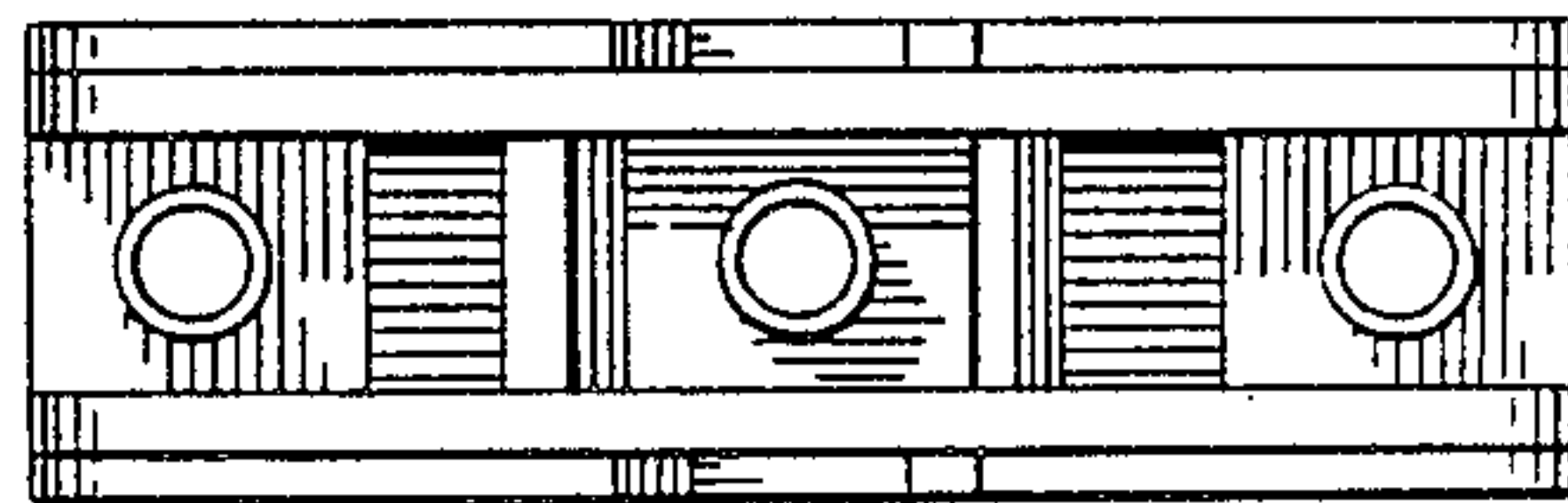


Fig. 5

Fig. 6



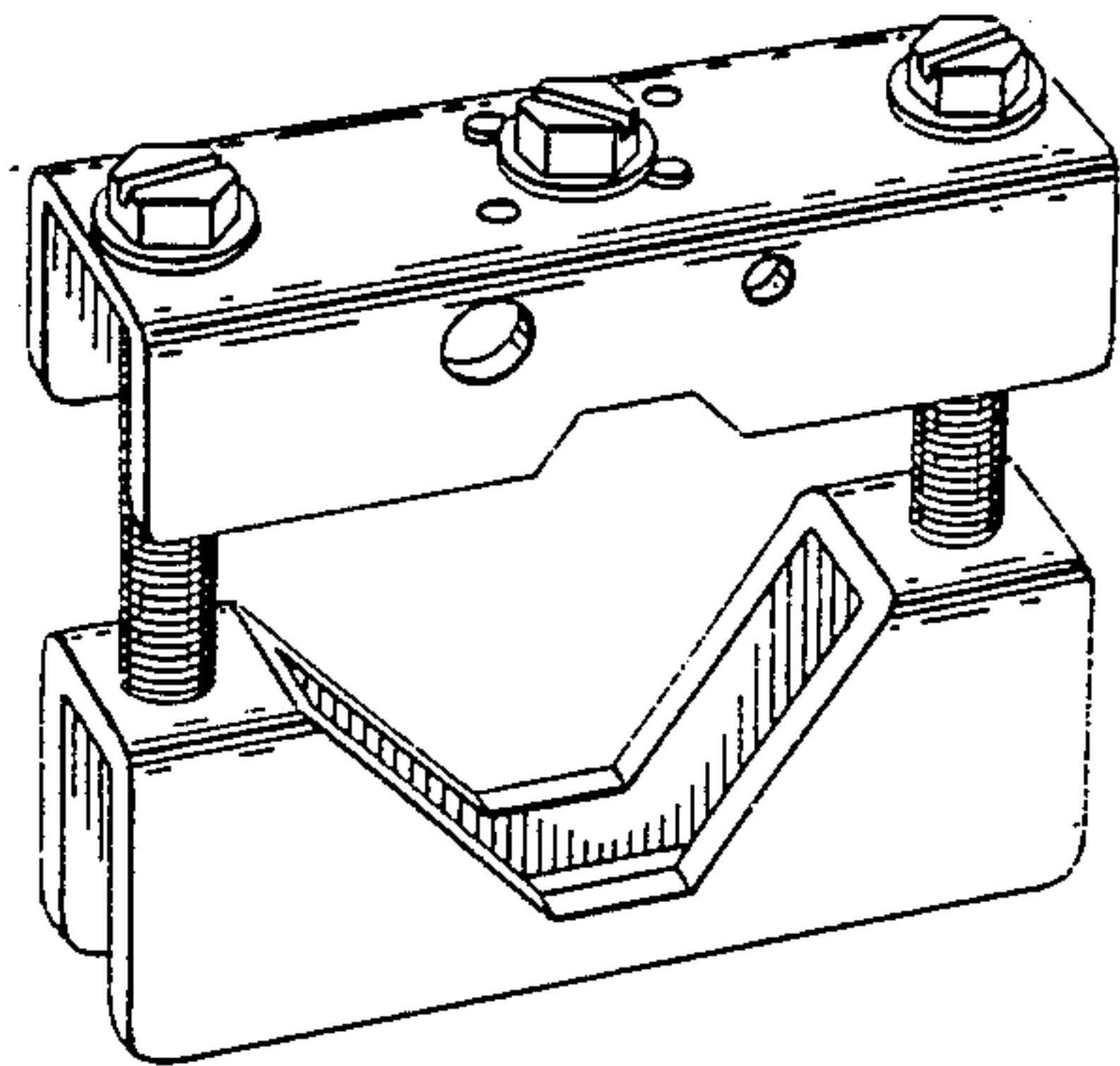


Fig. 7

Fig. 8

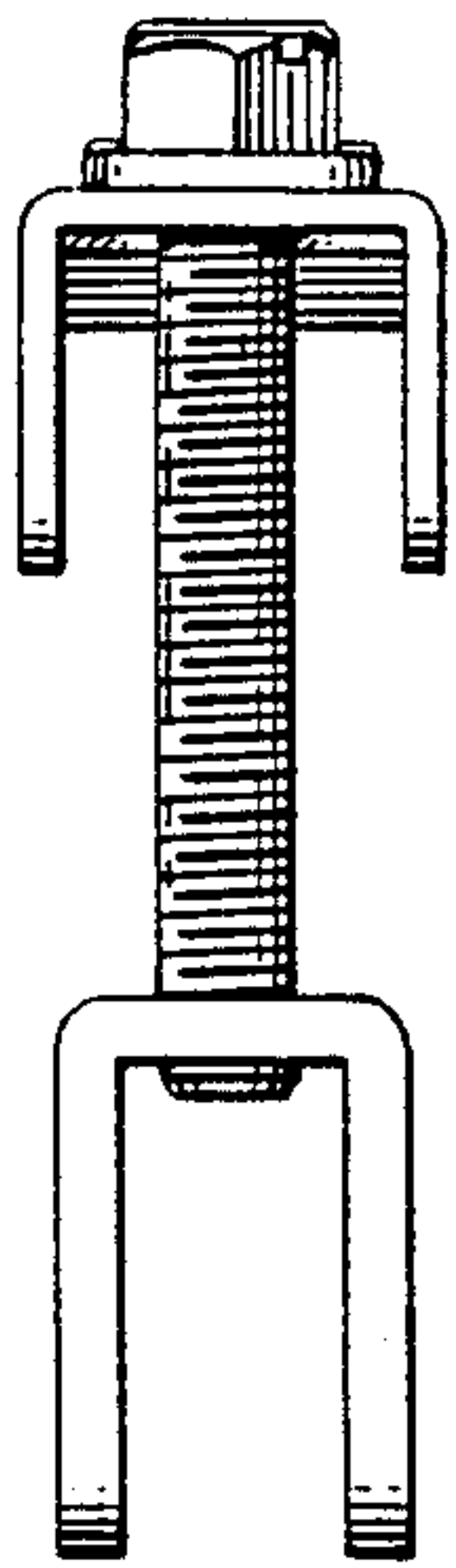
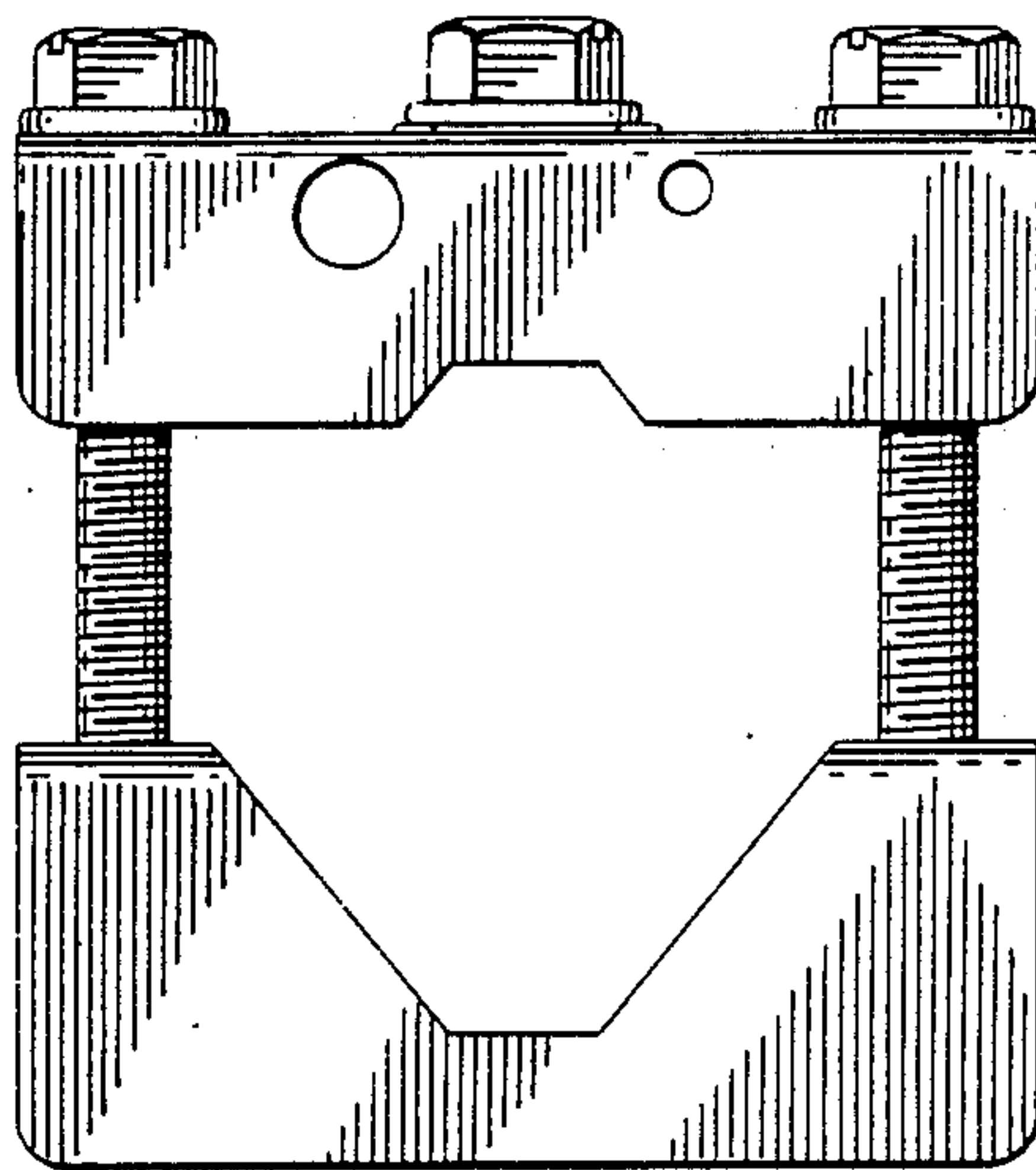


Fig. 9

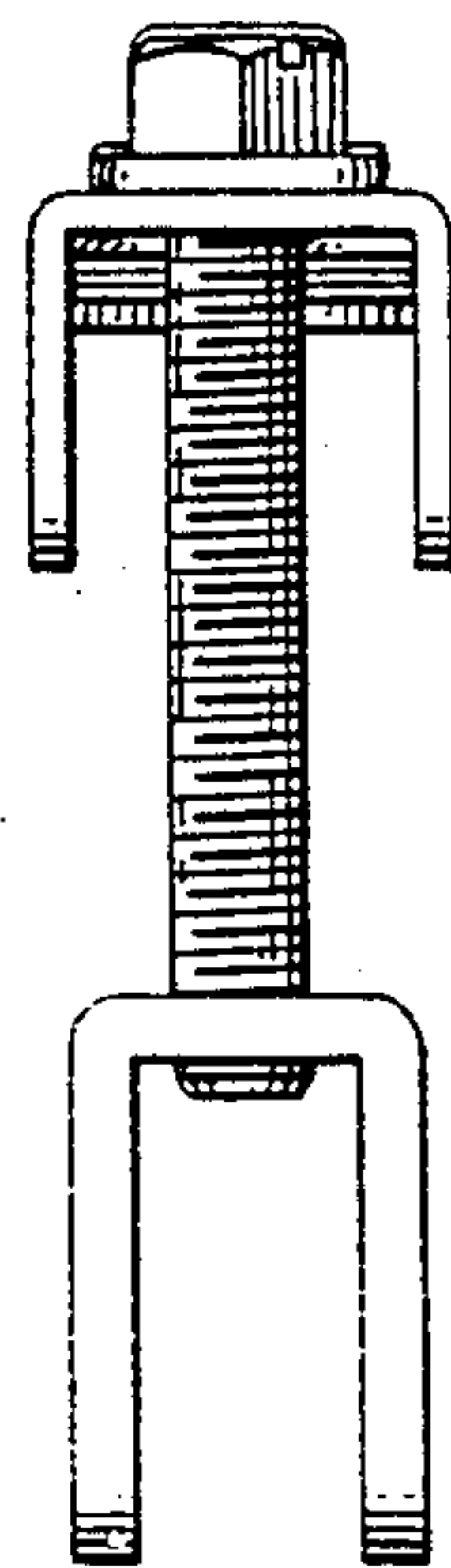


Fig. 10