

[54] TIRE

[75] Inventors: Terry K. Gettys, Pendleton; Douglas J. Slagh, Greer, both of S.C.

[73] Assignee: Michelin Recherche et Technique, Switzerland

[**] Term: 14 Years

[21] Appl. No.: 810,165

[22] Filed: Dec. 18, 1985

[52] U.S. Cl. D12/147

[58] Field of Search D12/141-143, D12/145-151; 152/209 R, 209 D

[56] References Cited

U.S. PATENT DOCUMENTS

D. 274,715	7/1984	Baumgardner	D12/147
D. 275,474	9/1984	Graas	D12/146
D. 291,794	9/1987	Clemens	D12/147

OTHER PUBLICATIONS

Tire Review, 12/85, p. 41, Toyo Highway Tire, second box up from bottom right side of page.

1984 Tread Design Guide, p. 32, Falls Roadmaster Radial A/S Tire, second tire in from bottom left side of page.

Tire Design Guide—1982, p. 27, Cordovan Premium G/T Radial.

Tire Design Guide—1984, p. 67, Starfire Vantage Radial.

Primary Examiner—James M. Gandy

Attorney, Agent, or Firm—Finnegan, Henderson, Farabow, Garrett & Dunner

[57] CLAIM

The ornamental design for a tire, as shown and described.

DESCRIPTION

FIG. 1 is a perspective view of a tire showing our new design, it being understood that the tread pattern is repeated throughout the circumference of the tire, as shown schematically by solid lines, the opposite side being substantially the same as that illustrated; and FIG. 2 is a plan view of the tread of the tire of FIG. 1.

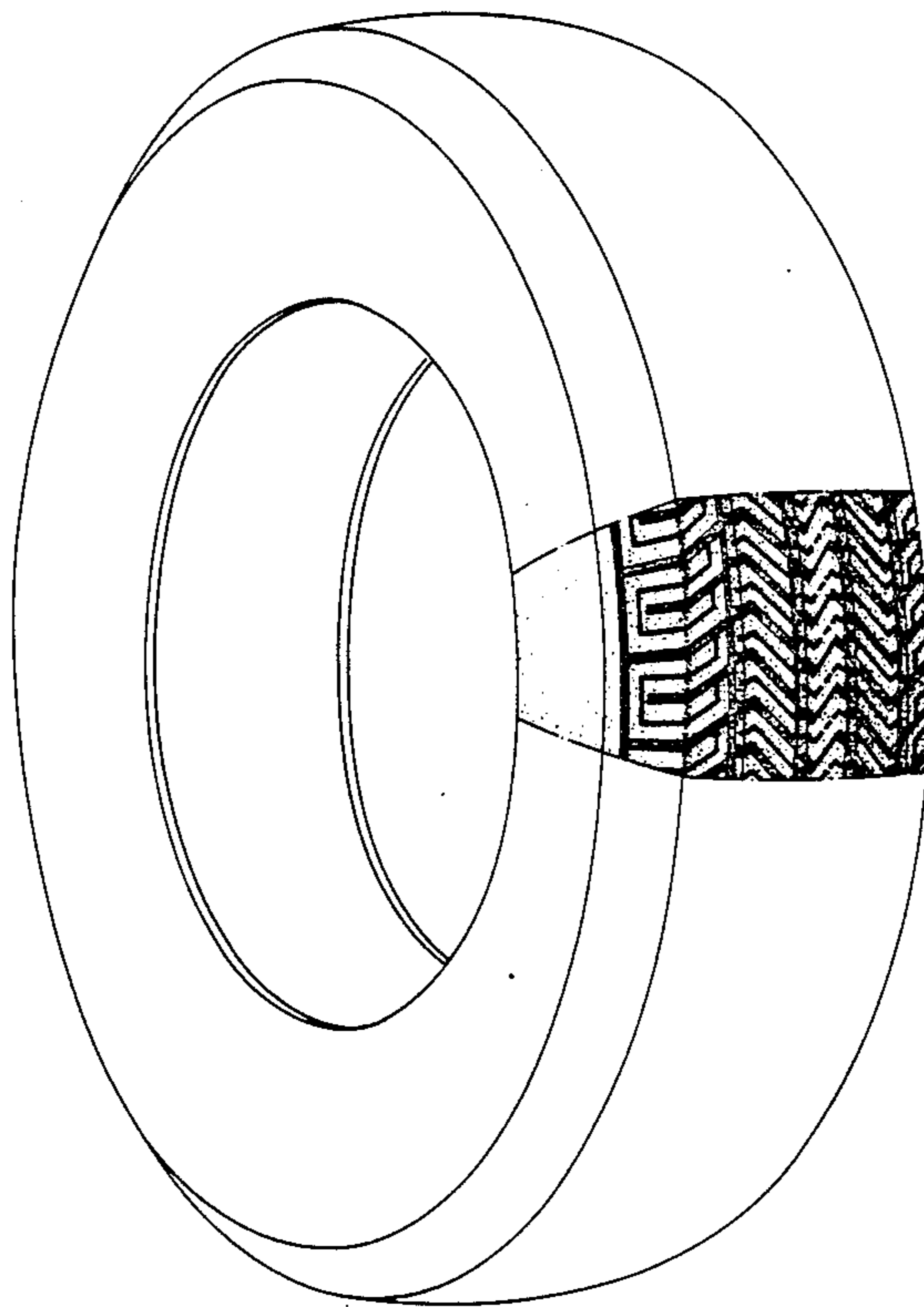


FIG. 1

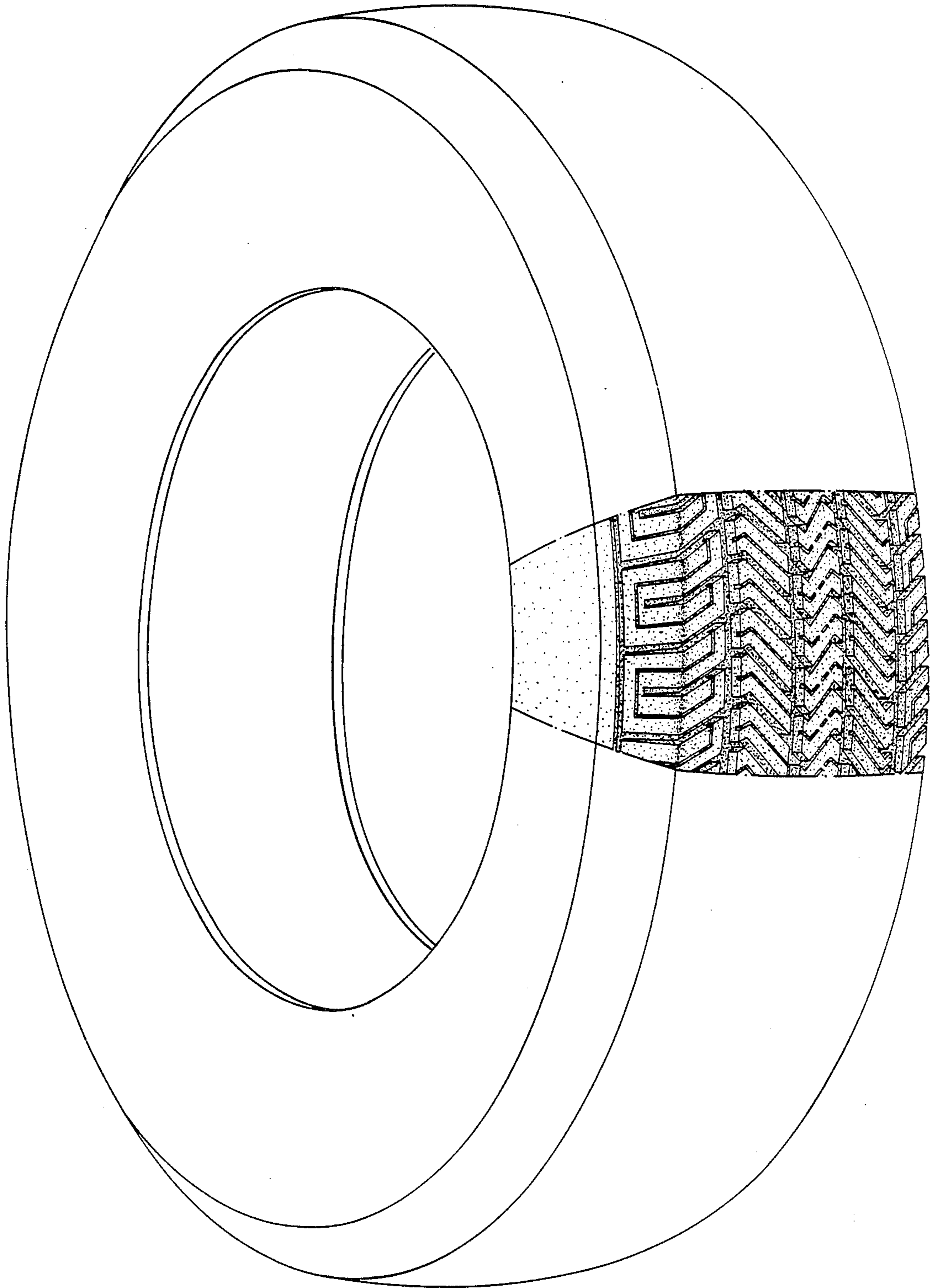


FIG. 2

