

[54] FLOW SENSOR

[75] Inventors: Christopher Nowacki, Arlington Heights; Alfred G. Brisson, Kildeer, both of Ill.

[73] Assignee: Trutek Research, Inc., Lake Zurich, Ill.

[**] Term: 14 Years

[21] Appl. No.: 786,593

[22] Filed: Oct. 11, 1985

[52] U.S. Cl. D10/96; D23/259

[58] Field of Search D10/96, 103; D23/259, D23/262; 128/725; 73/861.63

[56] References Cited

U.S. PATENT DOCUMENTS

D. 182,004	1/1958	Spreitzer	D10/96
D. 218,934	10/1970	Cordero	D10/96
D. 244,937	7/1977	Houk	D23/259
D. 278,316	4/1985	Bengston	D10/96
D. 284,603	7/1986	Loignon	D23/259

2,284,013	5/1942	Pardue	73/861.63
2,439,121	4/1948	Adelson	73/861.63 X
3,626,755	12/1971	Rudolph	128/725 X
3,960,142	6/1976	Elliott	128/725
4,481,828	11/1984	Cheng	73/861.63
4,558,710	12/1985	Eichler	128/725 X

Primary Examiner—Nelson C. Holtje
Attorney, Agent, or Firm—Robert M. Wolters

[57] CLAIM

The ornamental design for a flow sensor, substantially as shown and described.

DESCRIPTION

FIG. 1 is a perspective view of a flow sensor showing our new design;
FIG. 2 is a front elevational view thereof;
FIG. 3 is a top plan view thereof;
FIG. 4 is a bottom plan view thereof;
FIG. 5 is a left end elevational view thereof;
FIG. 6 is a right end elevational view thereof.
The rear elevational view is a mirror image of the front elevational view.

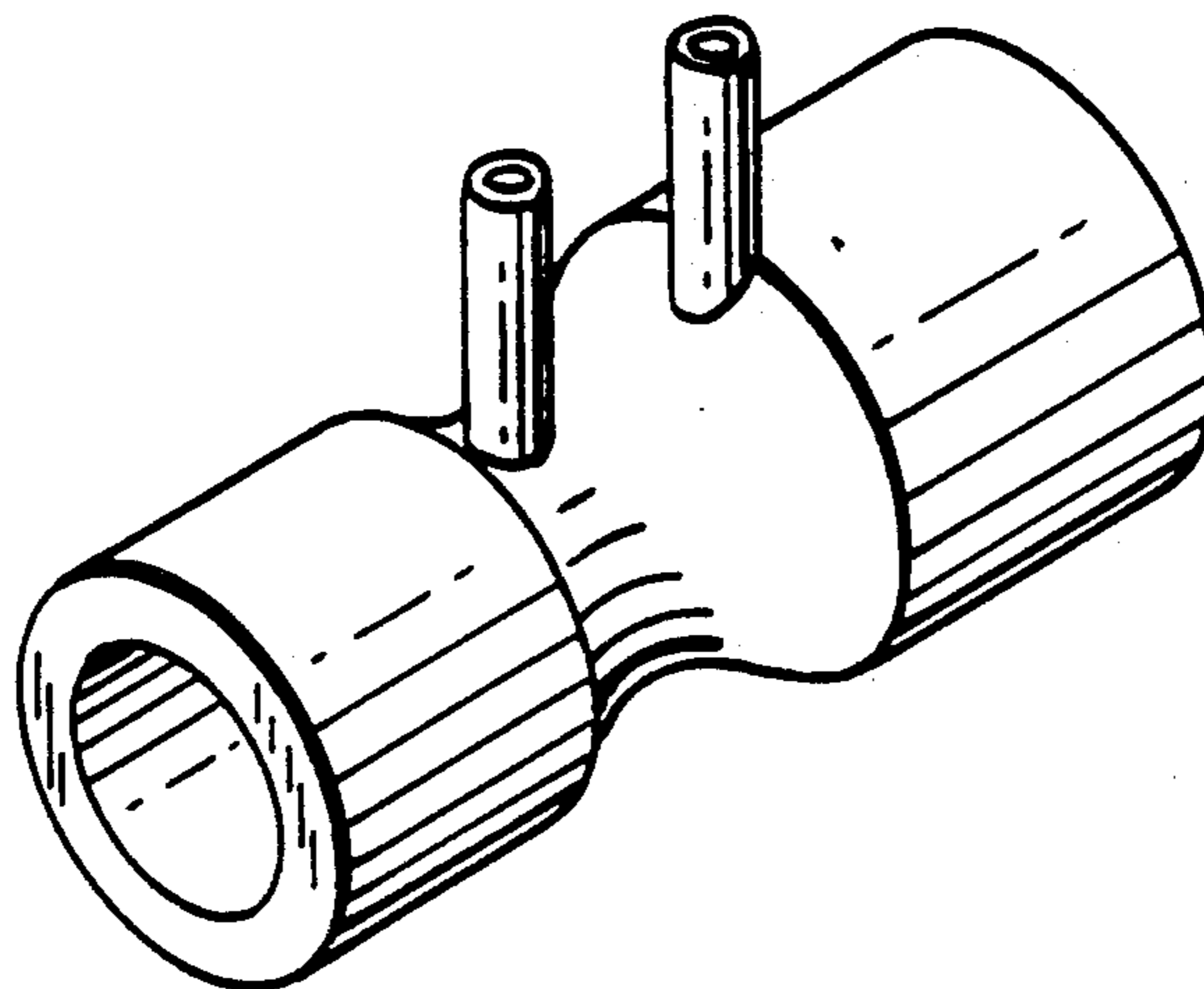


FIG. 1

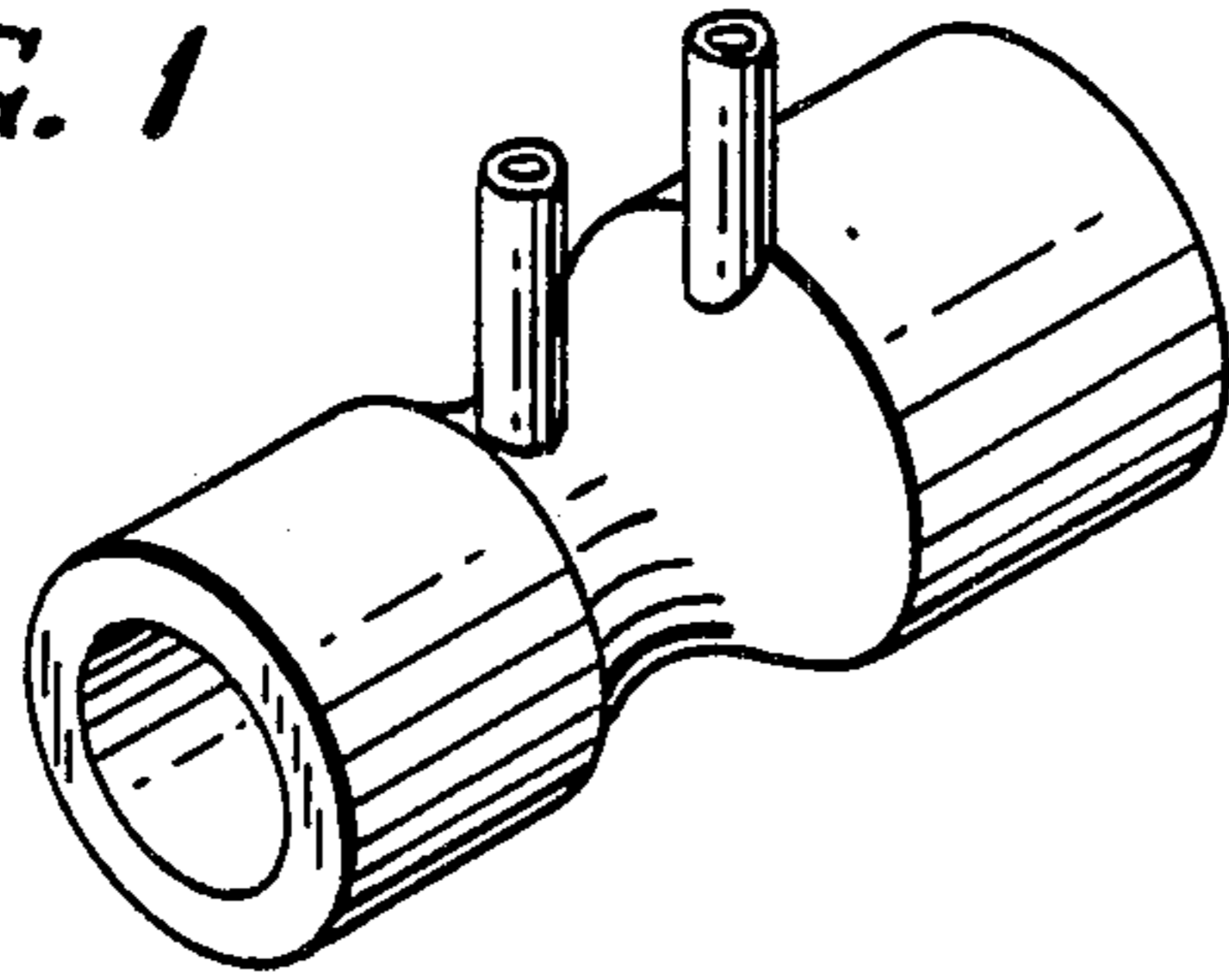


FIG. 2

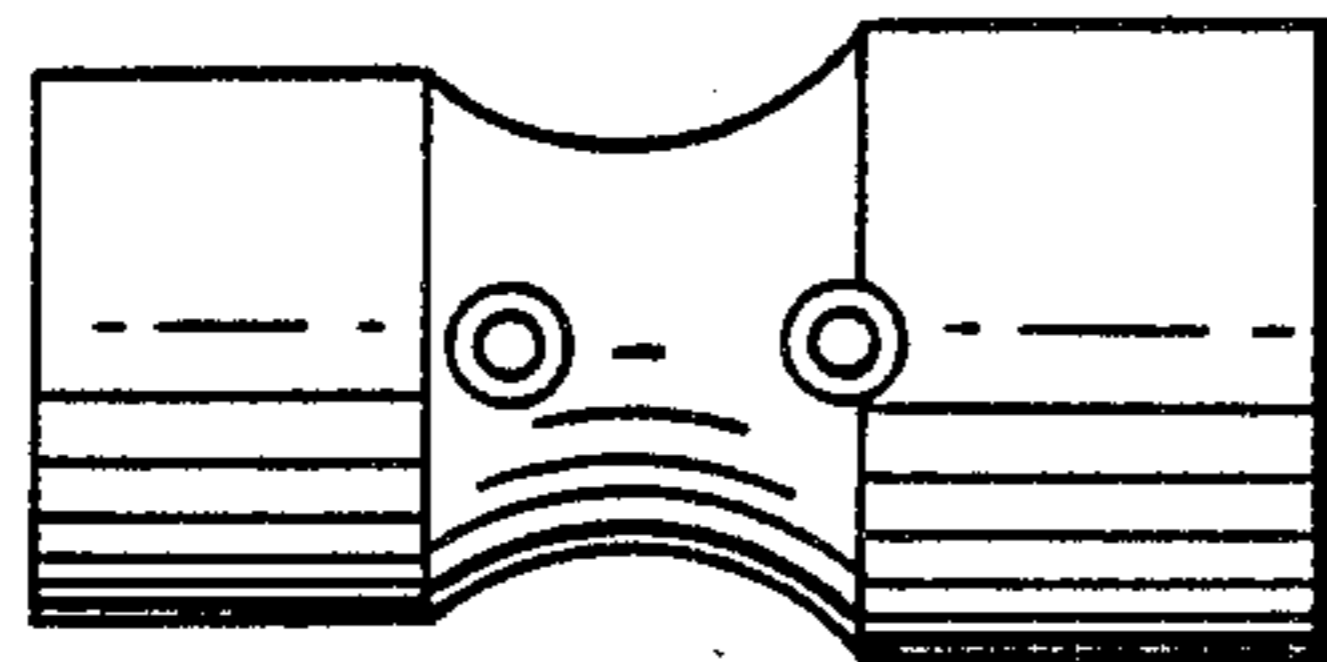
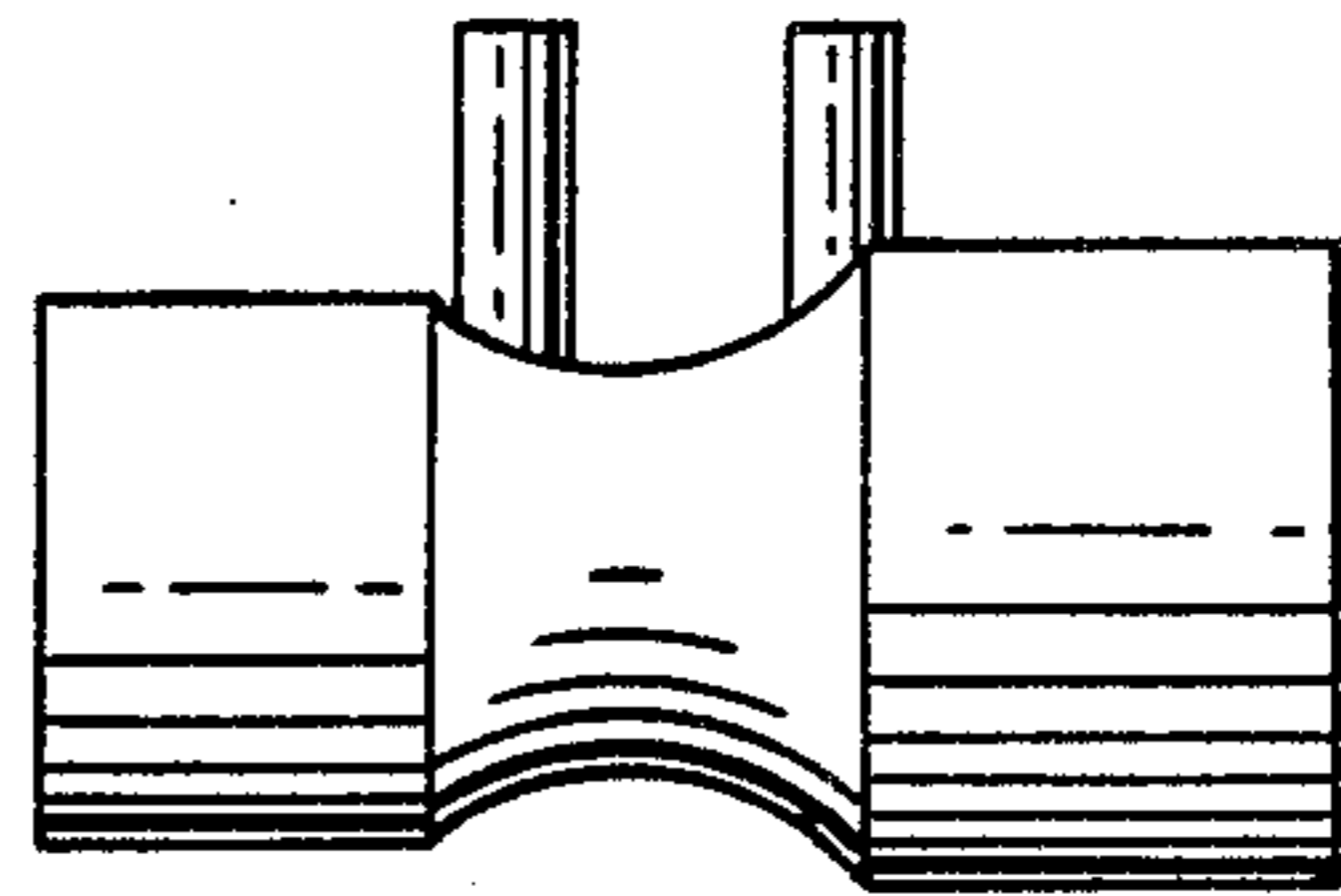


FIG. 3

FIG. 4

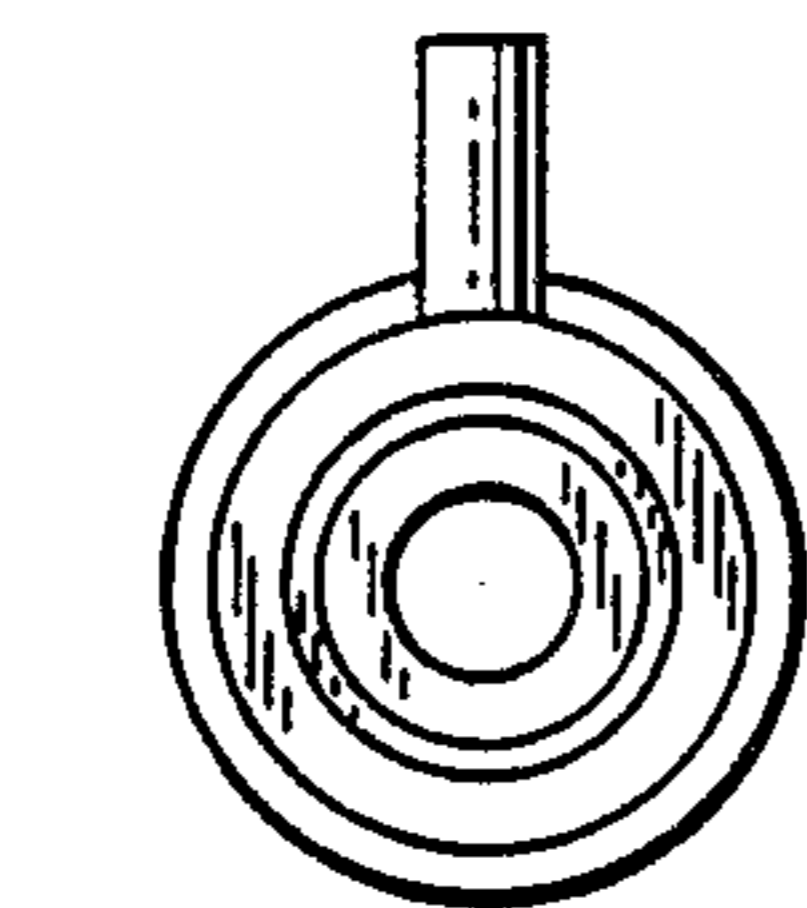
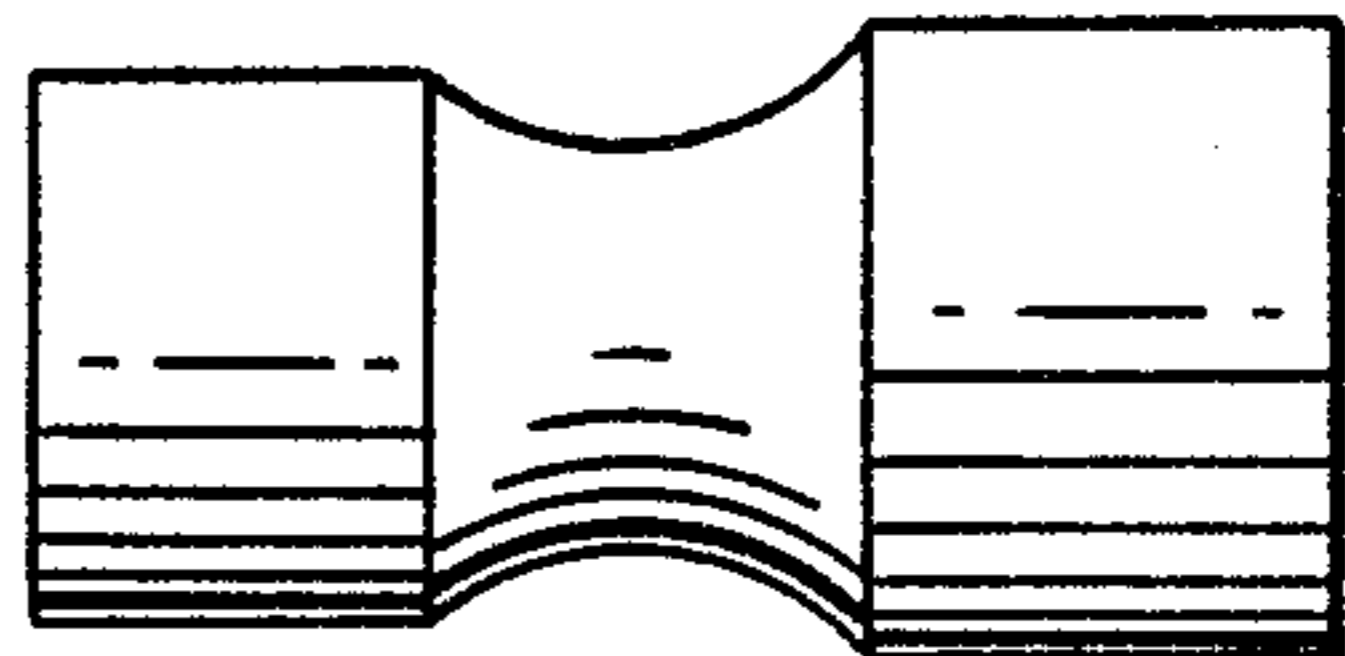


FIG. 5

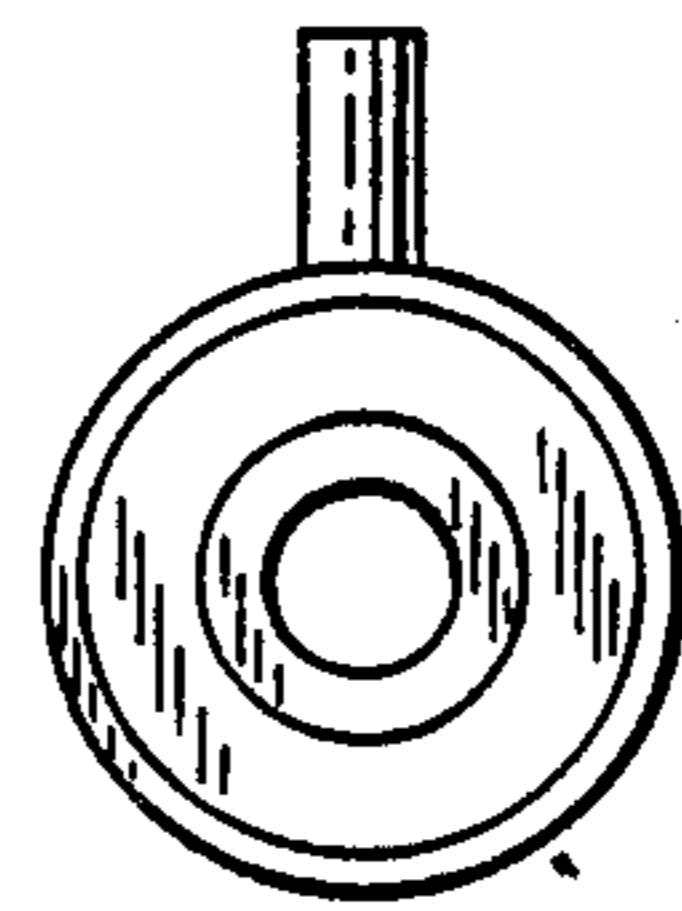


FIG. 6