

[54] **PUMP HEAD**

[75] **Inventor: Alfred von Schuckmann, Kevelaer, Fed. Rep. of Germany**

[73] **Assignee: mega product- u. Verpackungsentwicklung Marketing GmbH & Co. Kommanditgesellschaft, Wuppertal, Fed. Rep. of Germany**

[**] **Term: 14 Years**

[21] **Appl. No.: 763,162**

[22] **Filed: Aug. 7, 1985**

[30] **Foreign Application Priority Data**

Mar. 22, 1985 [DE] Fed. Rep. of Germany 54 MR 15012

[52] **U.S. Cl. D9/448**

[58] **Field of Search D9/300, 448; D23/17, D23/18; 222/401, 400.5, 566; 215/1 R, 1 C**

[56]

References Cited

U.S. PATENT DOCUMENTS

D. 173,430	11/1954	Hills	D9/300 X
D. 224,882	10/1972	Alpern	D9/300
D. 234,344	2/1975	Schick	D9/448 X
D. 244,008	4/1977	Aeschlimann	D9/300
D. 272,236	1/1984	McDonald	D9/448
D. 272,988	3/1984	Podall et al.	D9/300
D. 275,933	10/1984	Topor et al.	D9/300

Primary Examiner—Robert C. Spangler
Attorney, Agent, or Firm—Martin A. Farber

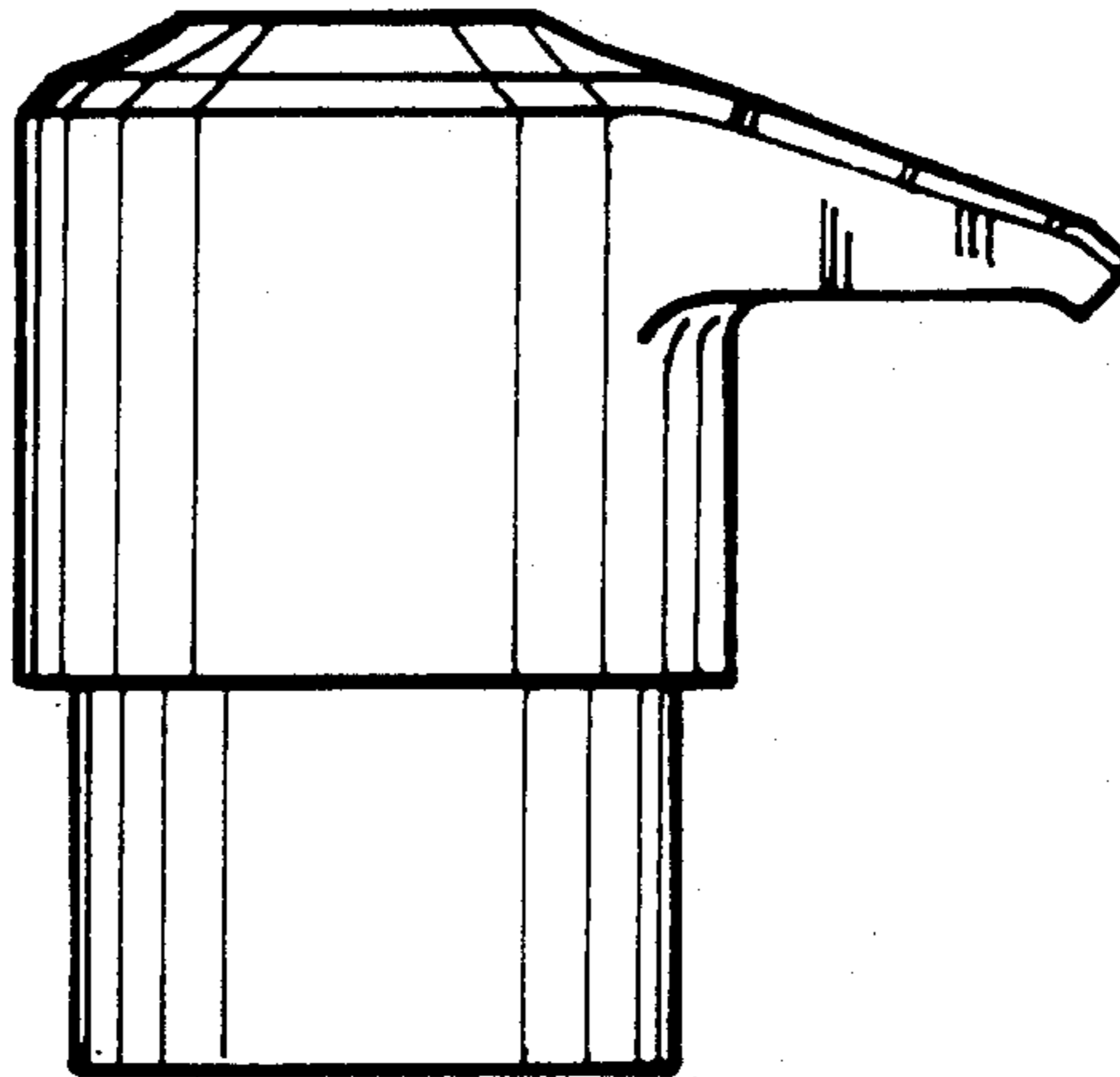
[57]

CLAIM

The ornamental design for a pump head, as shown and described.

DESCRIPTION

FIG. 1 is a side elevational view of a pump head, showing my new design with a portion of a container being shown in broken lines to show environmental use only; FIG. 2 is a front elevational view; FIG. 3 is a view showing the side opposite that seen in FIG. 1; FIG. 4 is a rear elevational view; FIG. 5 is a top plan view; and, FIG. 6 is a bottom plan view.



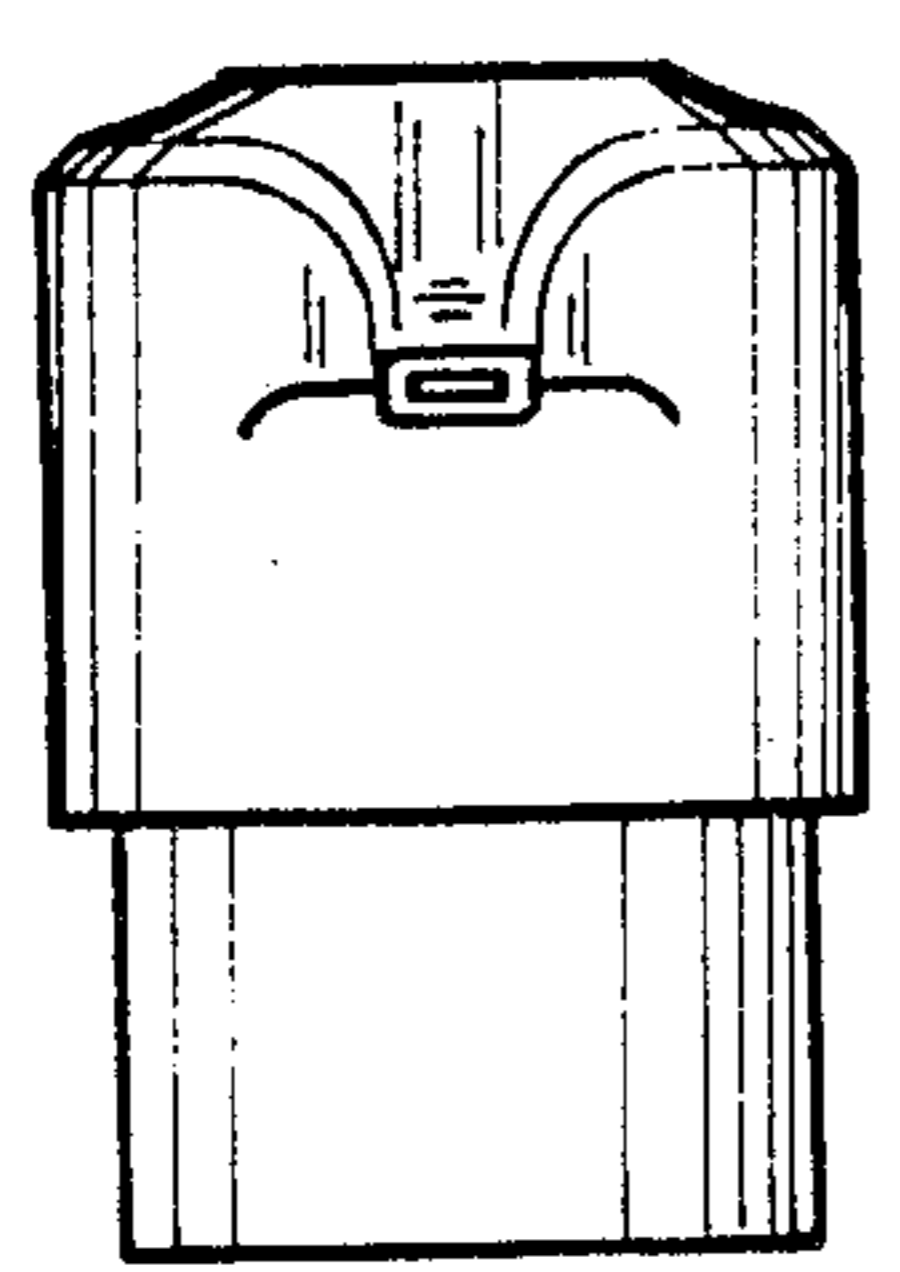
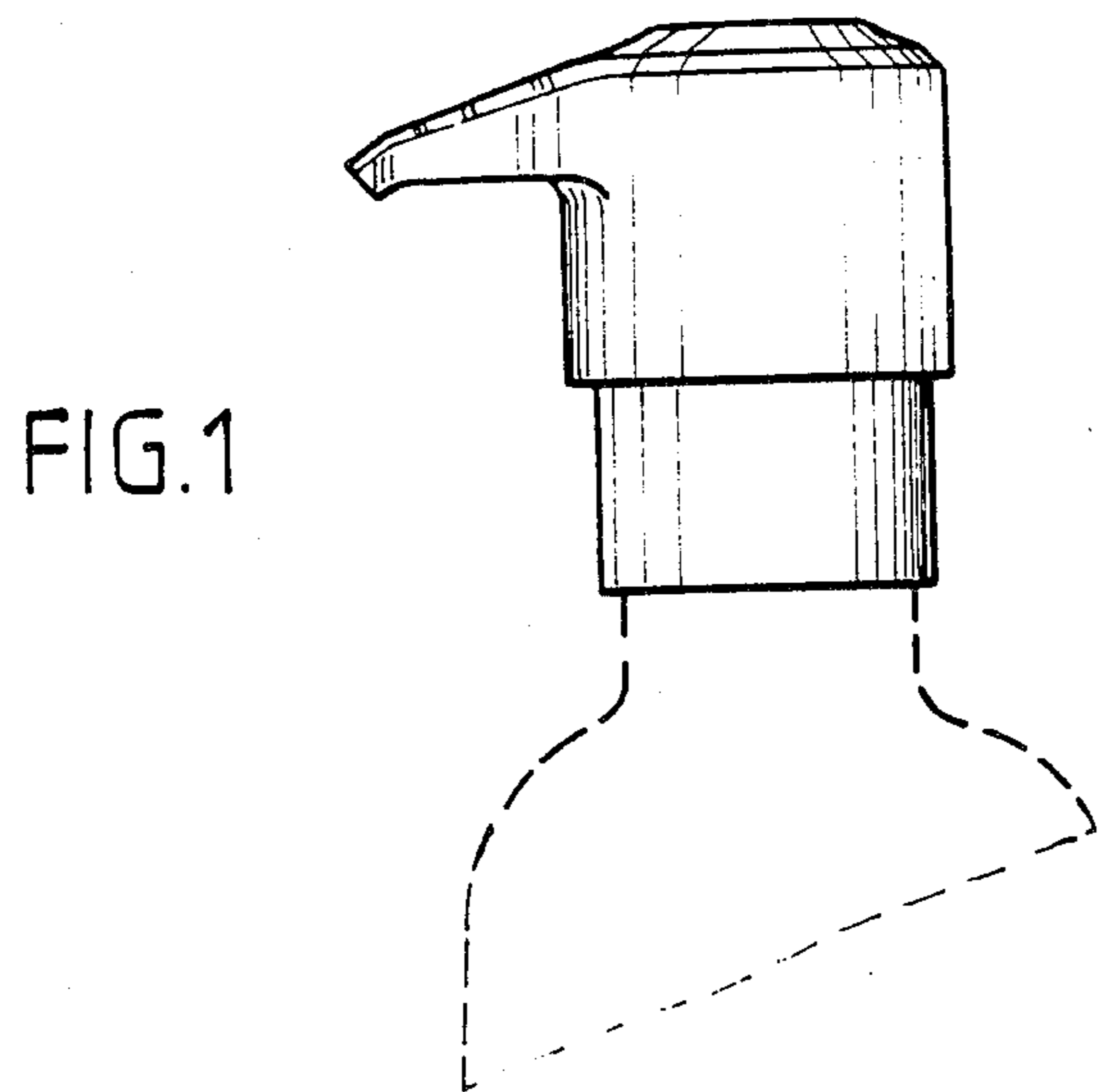


FIG. 2

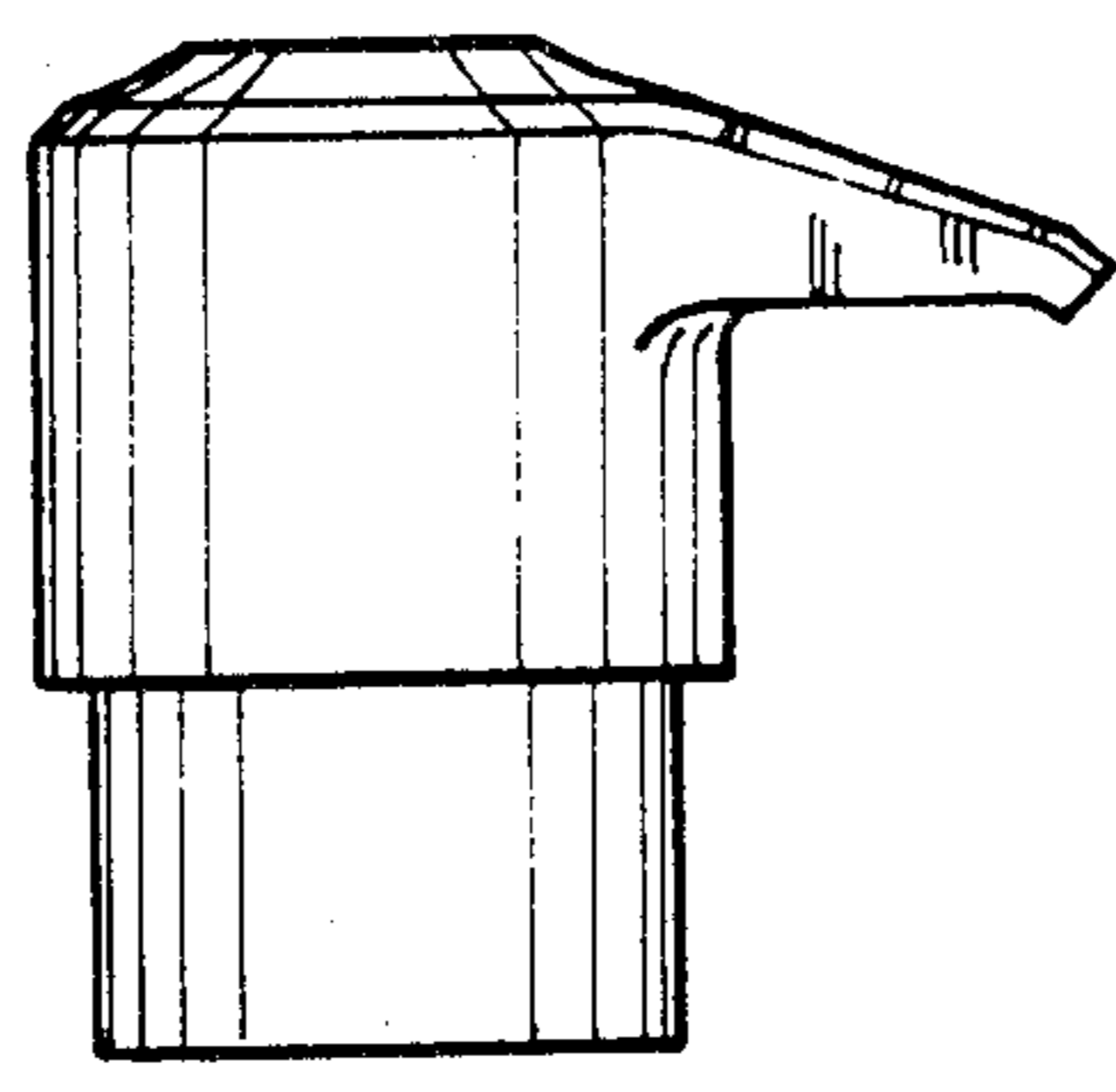


FIG. 3

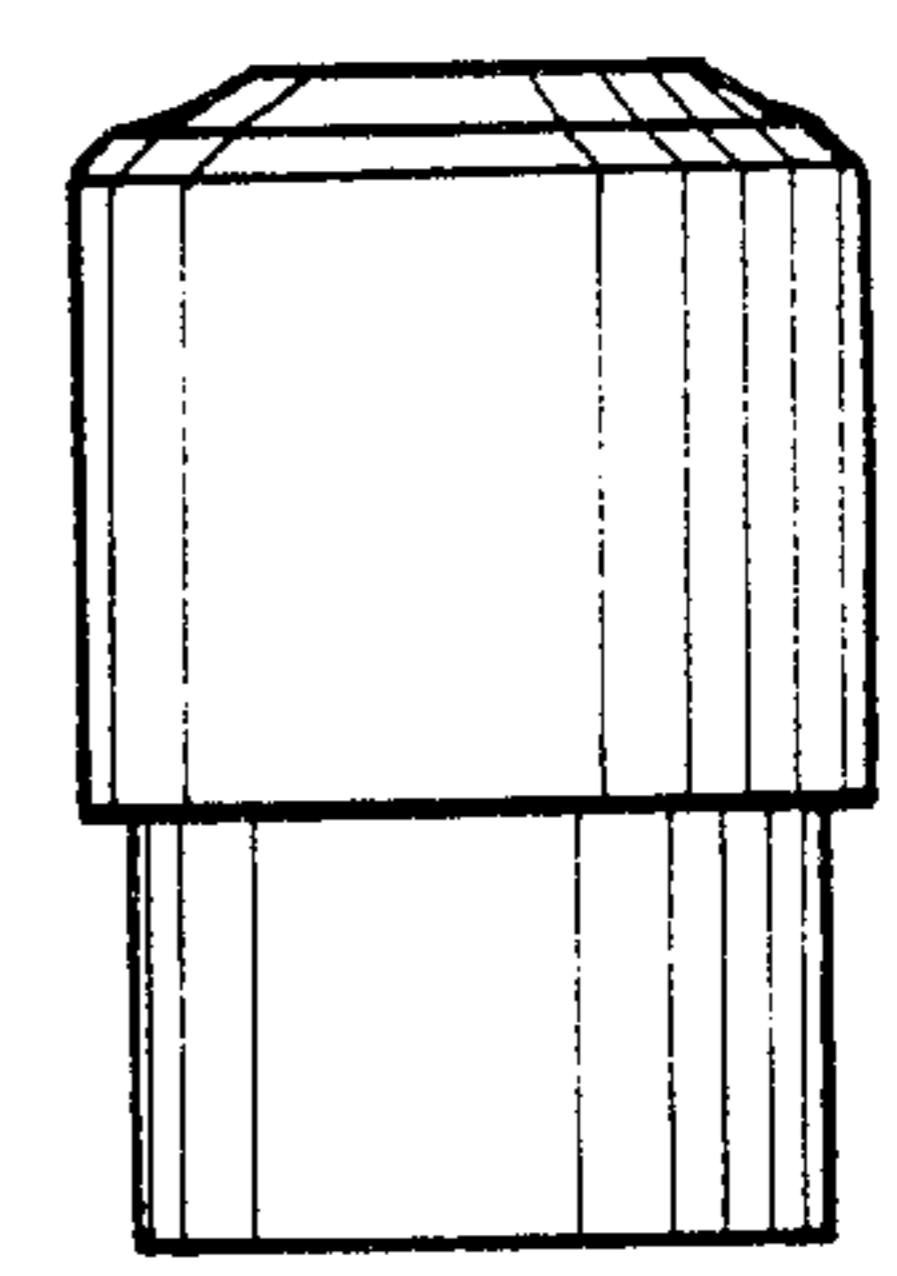


FIG. 4

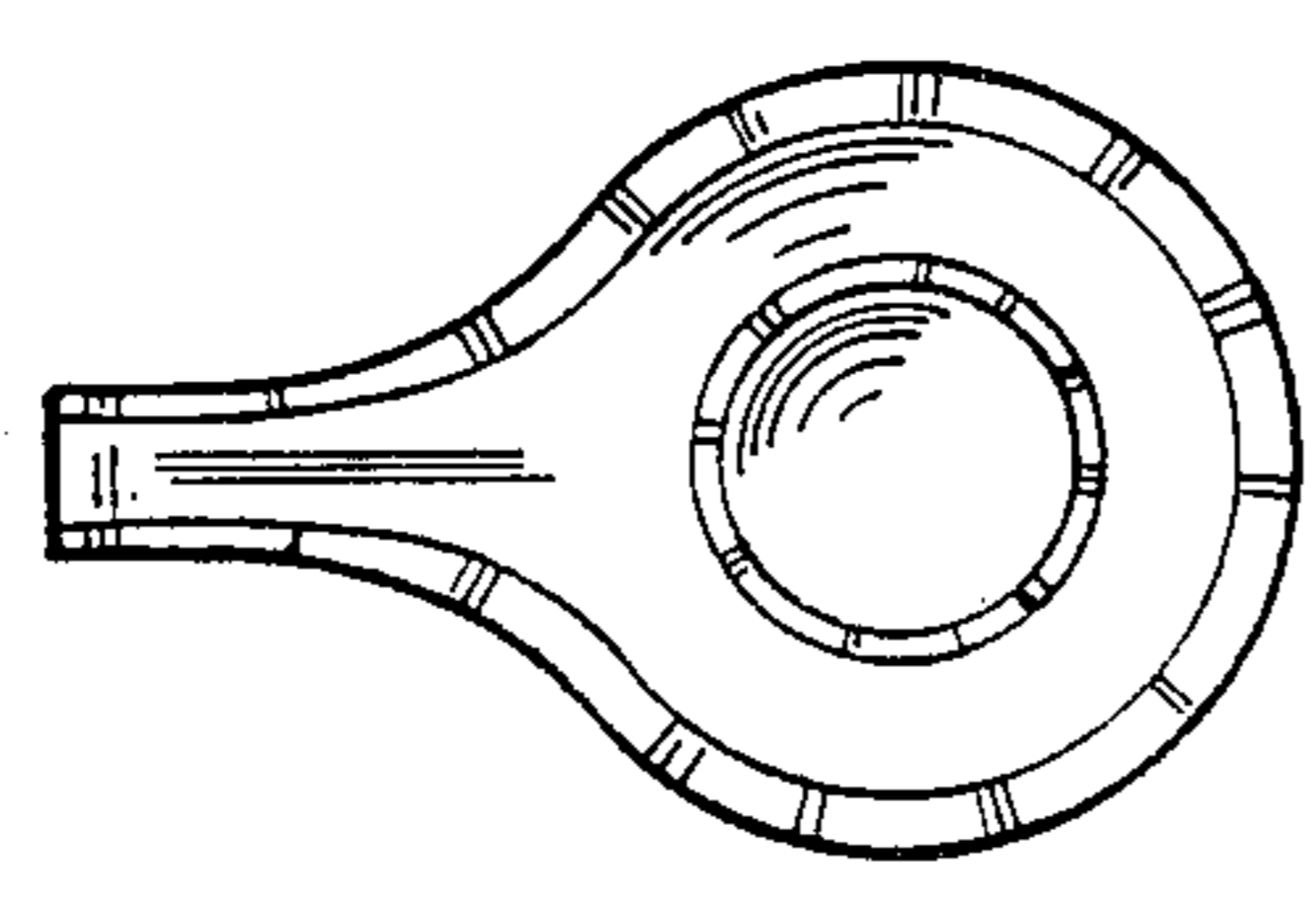


FIG. 5

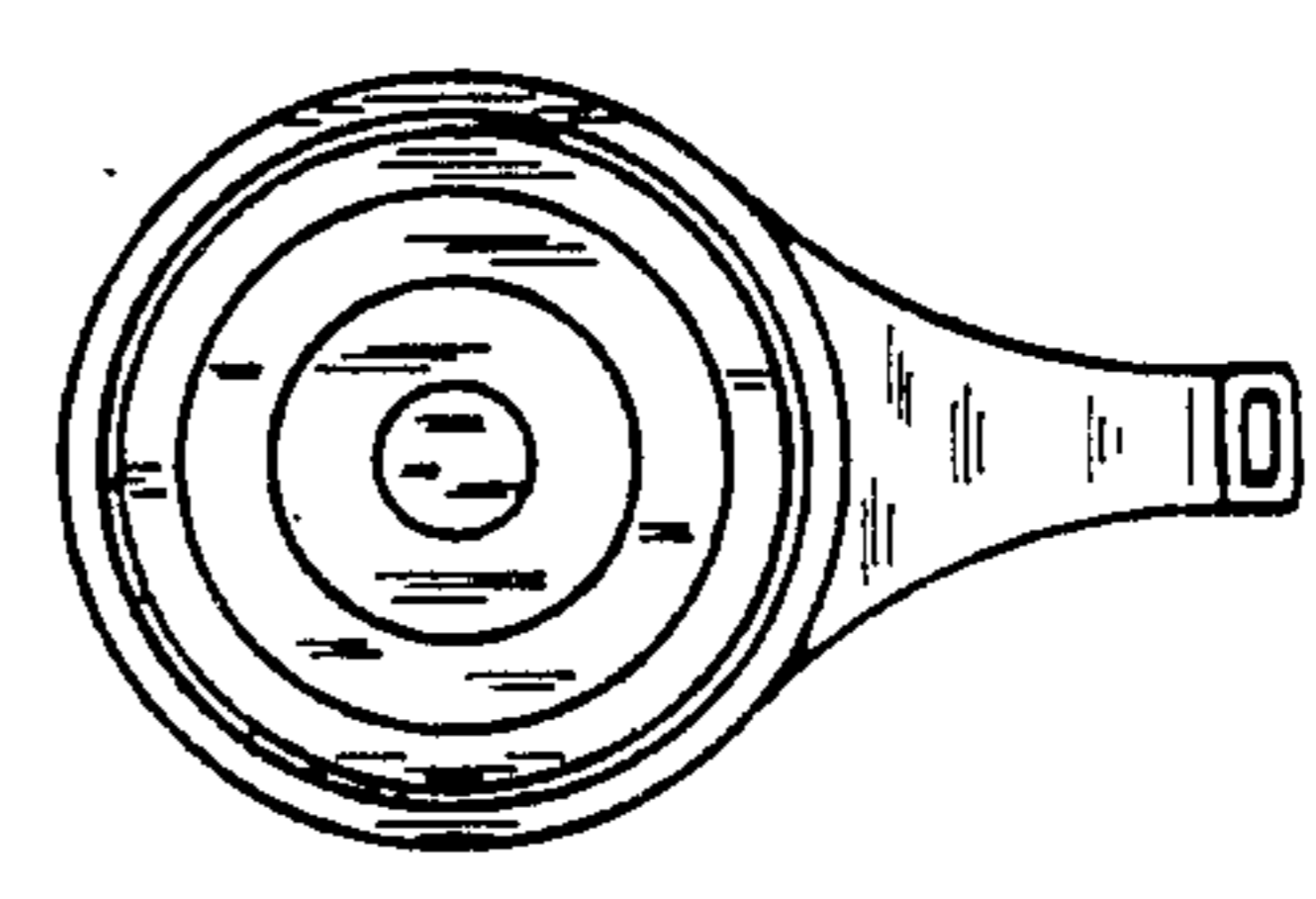


FIG. 6