

[54] COMBINED CLOSURE MEMBER AND DIAPHRAGM

3,303,953 1/1967 Frank 215/321 X
3,734,333 5/1973 Foss D9/438 X

[75] Inventors: Del M. Corno; Giovanni Arduini, both of Milan, Italy

Primary Examiner—Robert C. Spangler
Attorney, Agent, or Firm—Holman & Stern

[73] Assignee: Resinart Plastics Ltd., Christchurch, New Zealand

[57] CLAIM

The ornamental design for a combined closure member and diaphragm, as shown and described.

[**] Term: 14 Years

[21] Appl. No.: 680,492

DESCRIPTION

[22] Filed: Dec. 11, 1984

[30] Foreign Application Priority Data

Jun. 11, 1984 [NZ] New Zealand 19177
Jun. 11, 1984 [NZ] New Zealand 19178
Jun. 11, 1984 [NZ] New Zealand 19179

FIG. 1 is a top perspective view of a combined closure member and diaphragm showing our new design; FIG. 2 is a side elevational view with the lugs up and the diaphragm omitted; FIG. 3 is a top plan view thereof; FIG. 4 is a top elevational view thereof; FIG. 5 is a bottom plan view thereof; FIG. 6 is a front elevational view with the lugs down and the diaphragm omitted; FIG. 7 is a bottom plan view thereof; FIG. 8 is a side elevational view thereof; FIG. 9 is a top plan view thereof; FIG. 10 is a front elevational view with the diaphragm in place; FIG. 11 is a bottom plan view thereof; and FIG. 12 is a bottom perspective view with the diaphragm omitted. The views of the opposite side to that shown in FIGS. 2, 4, 6, 8 and 10 are not shown as they are mirror images.

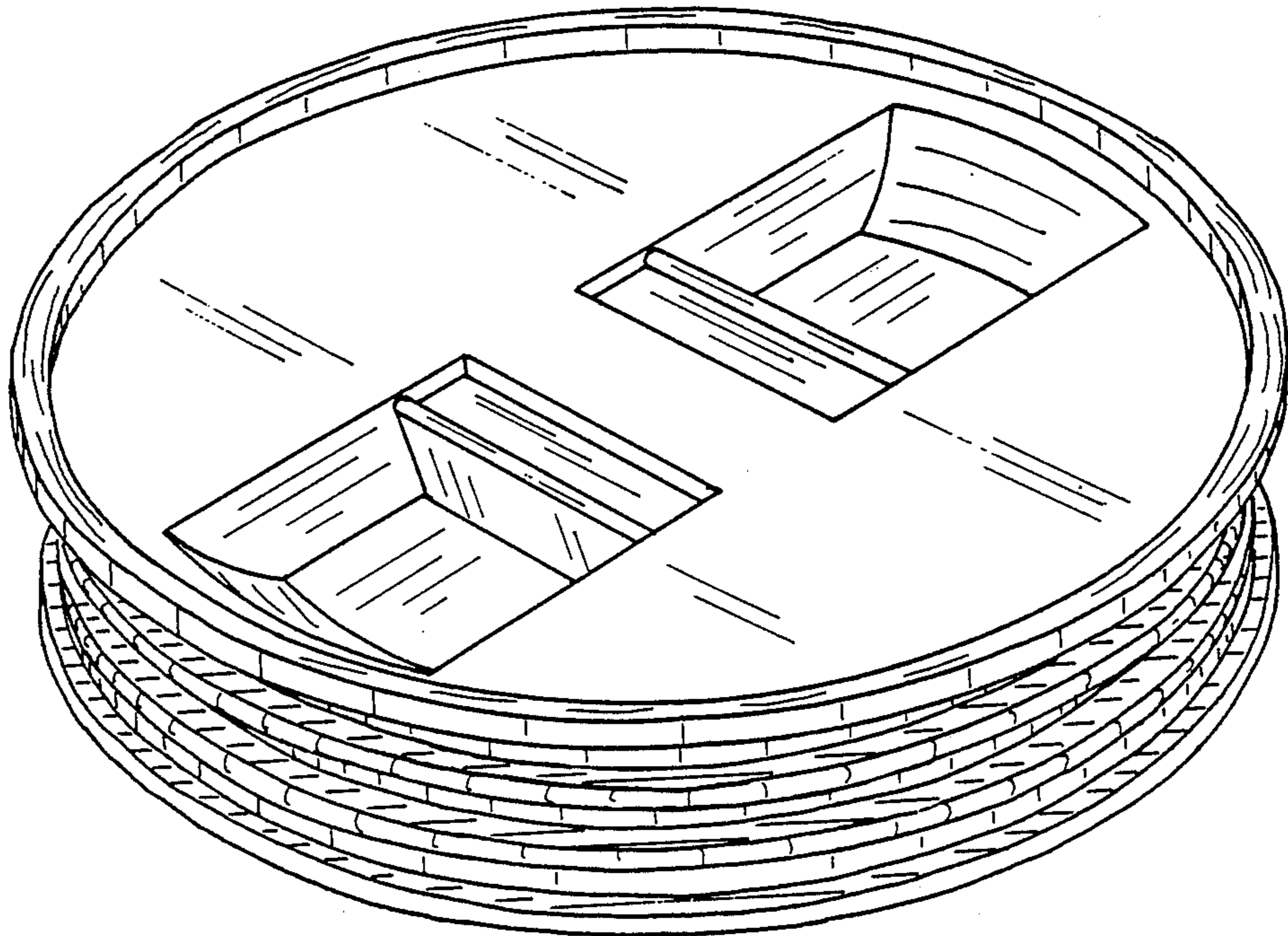
[52] U.S. Cl. D9/435

[58] Field of Search D9/434-455;
215/356, 228, 321, 100 R, 316

[56] References Cited

U.S. PATENT DOCUMENTS

D. 281,581 12/1985 MacEwen D9/435
D. 286,026 10/1986 Rayner D9/435
2,281,649 5/1942 Williams 215/321
2,547,590 4/1951 McGinnis 215/321 X
3,044,610 7/1962 Tupper D9/438 X
3,209,935 10/1965 Long 215/100 R
3,244,306 4/1966 Stolk 215/316 X



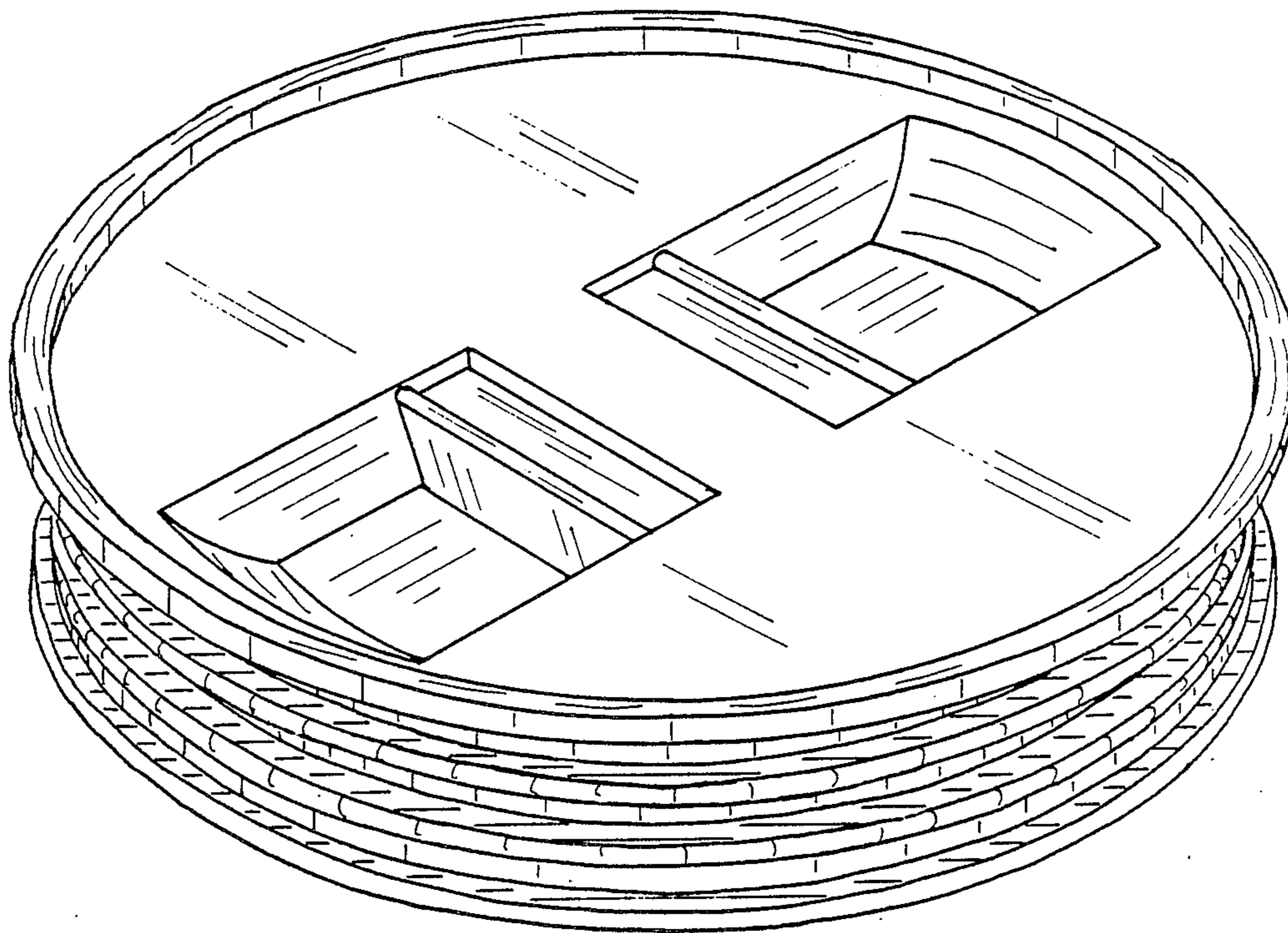


FIG. 1.

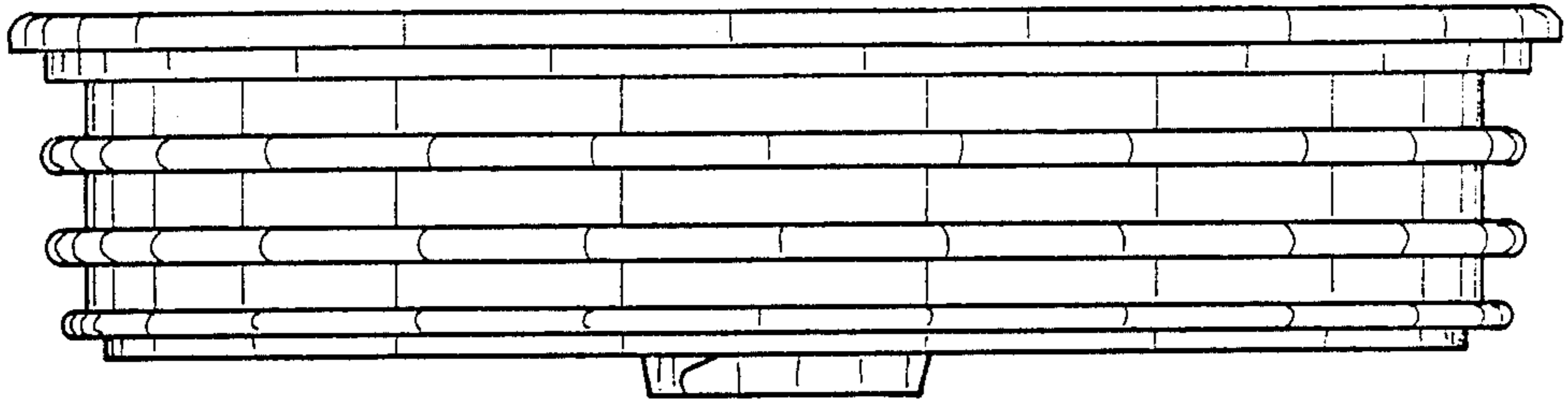


FIG. 2.

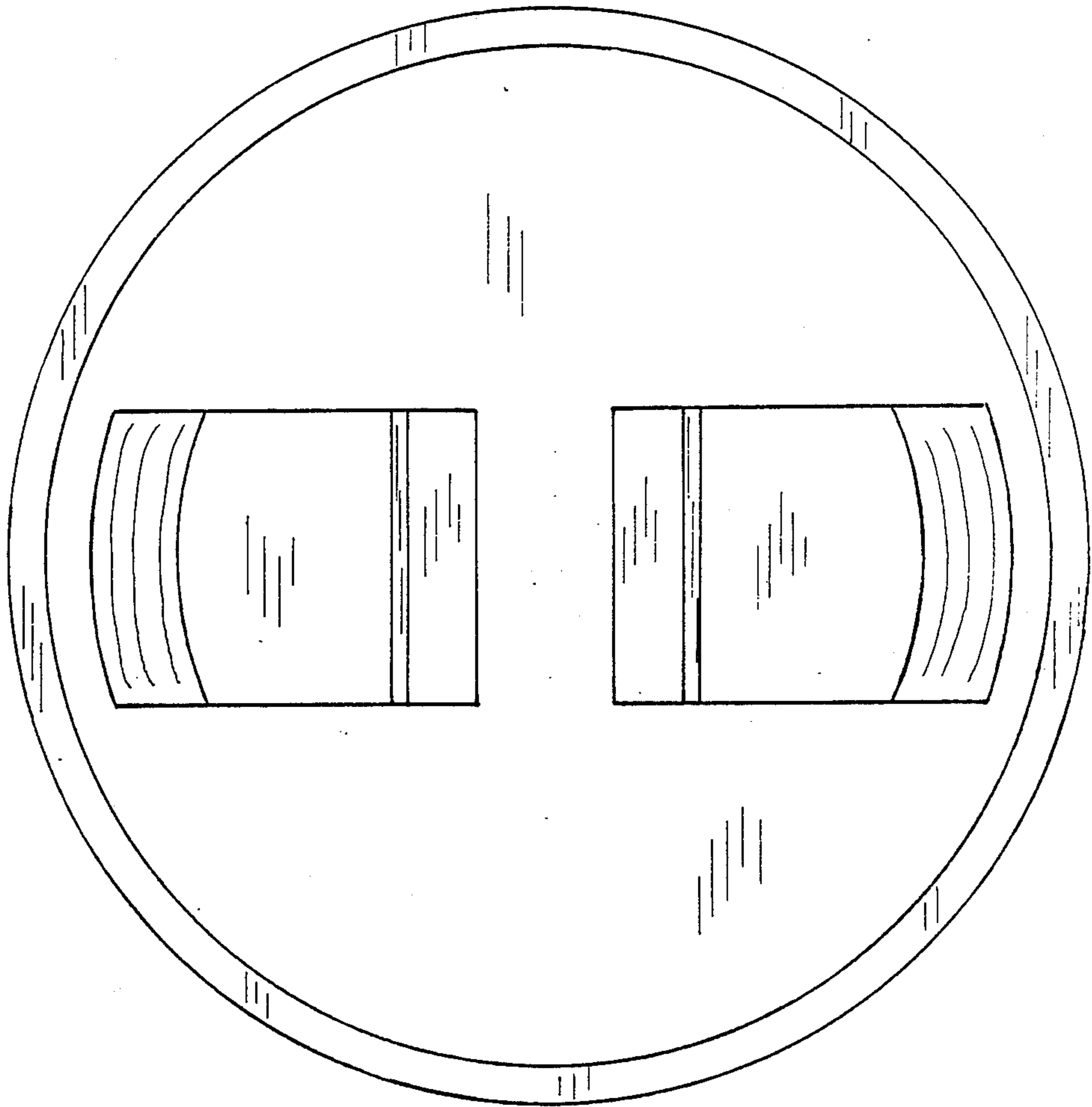


FIG. 3.

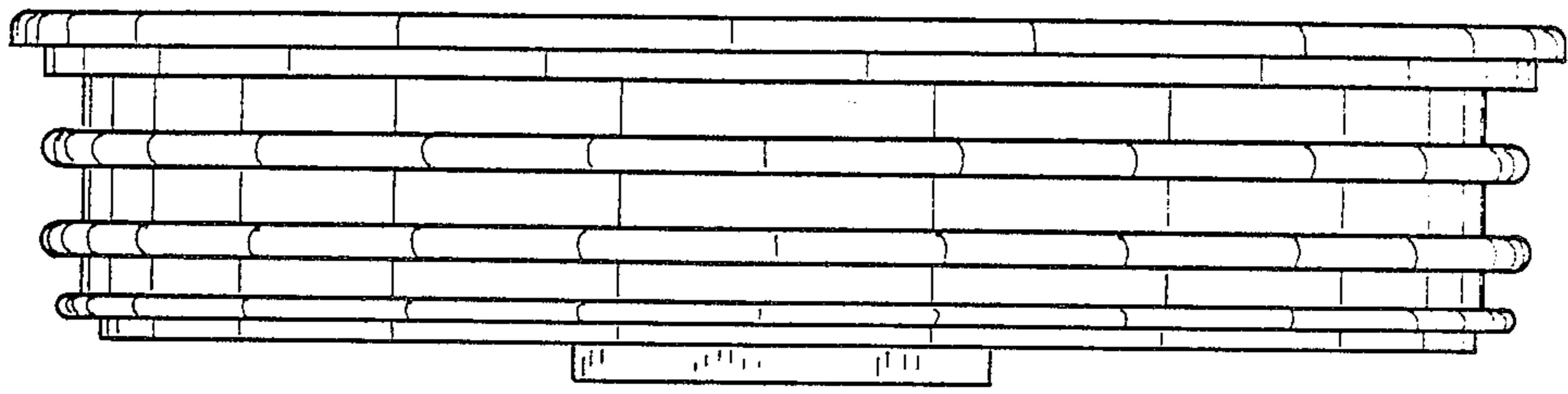


FIG. 4.

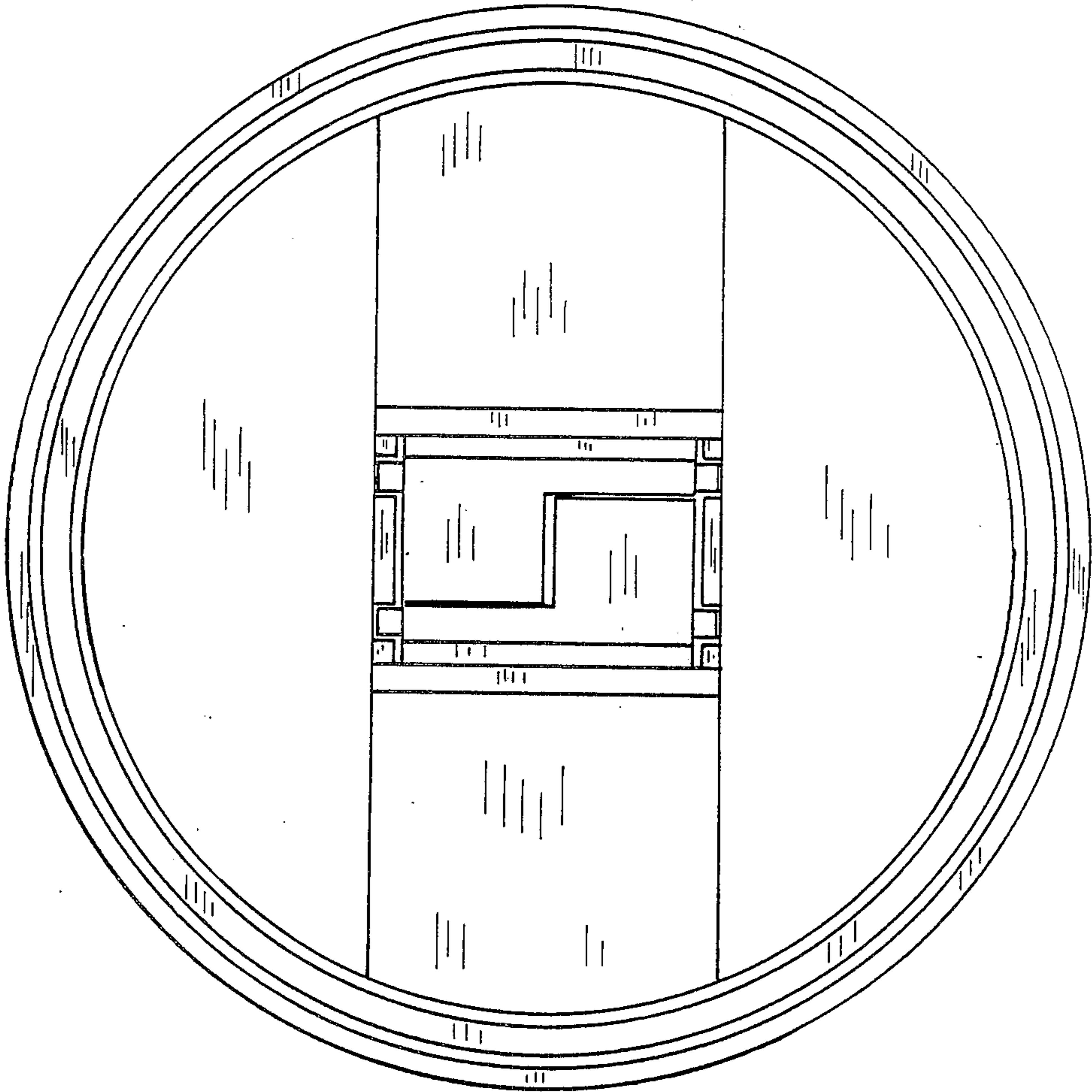


FIG. 5.

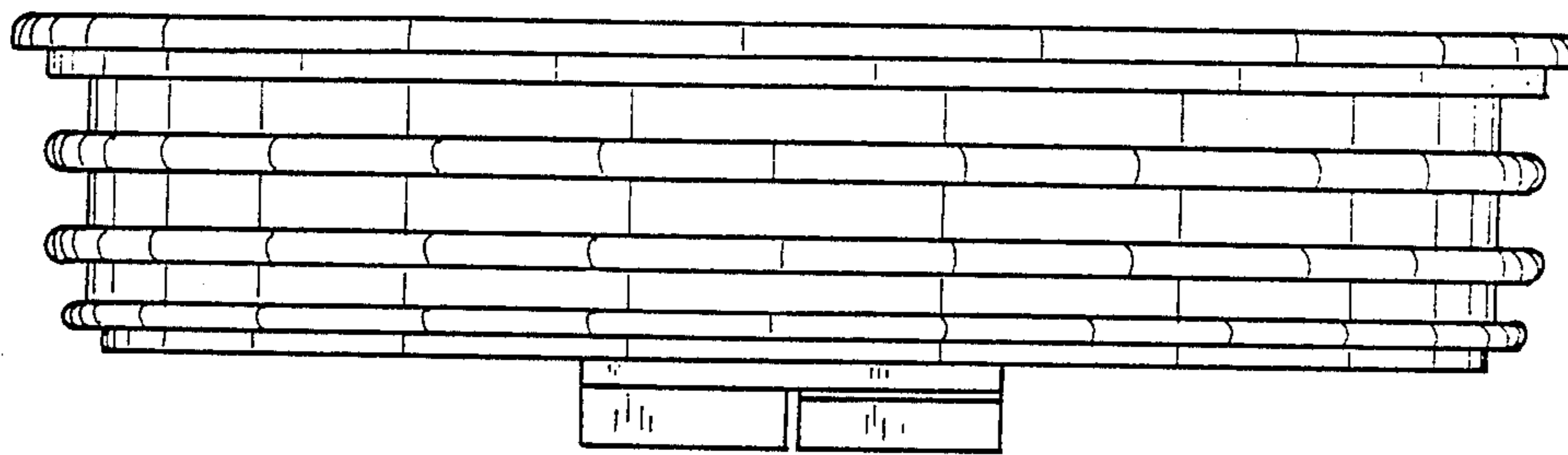


FIG. 6.

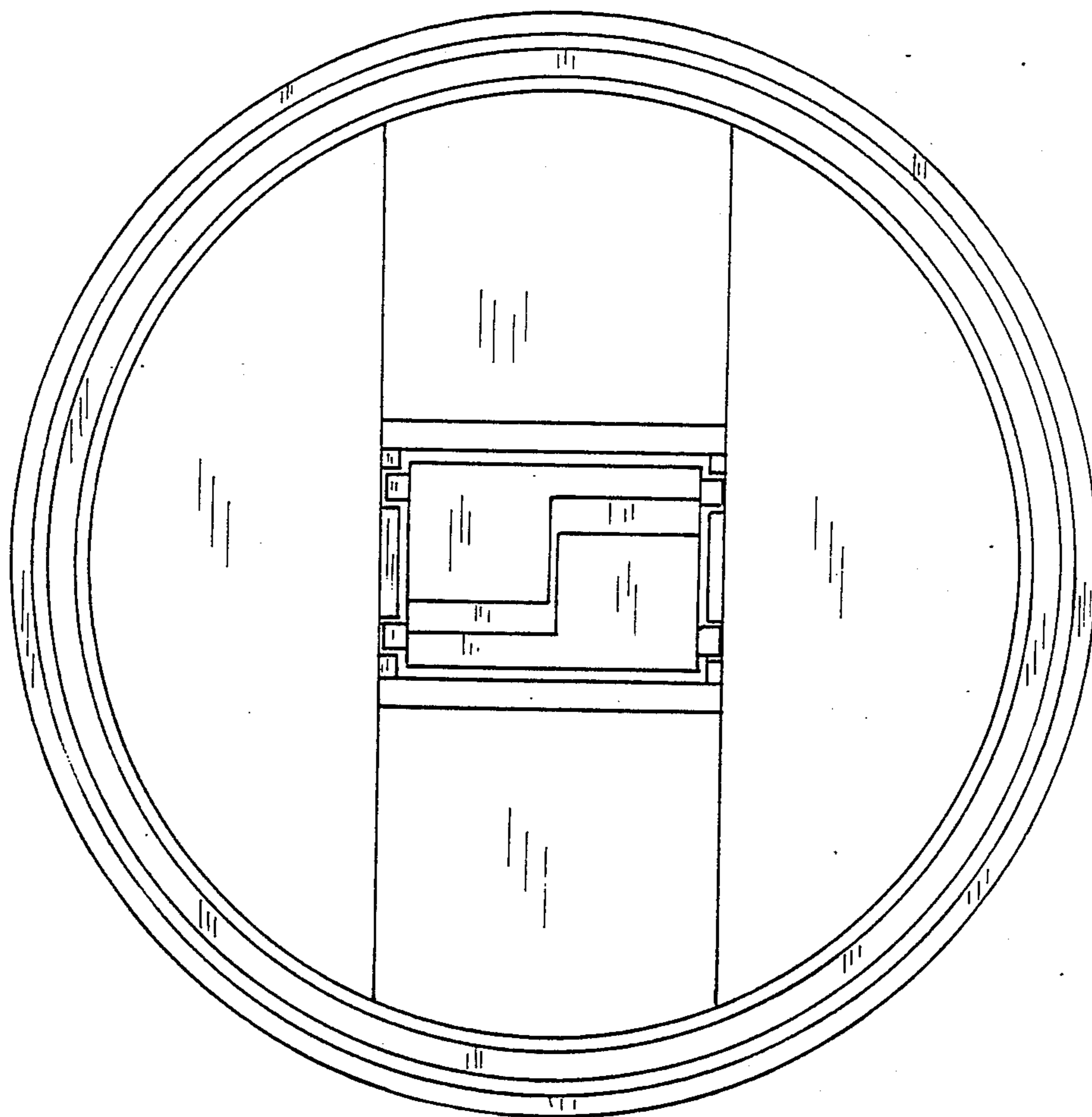


FIG. 7.

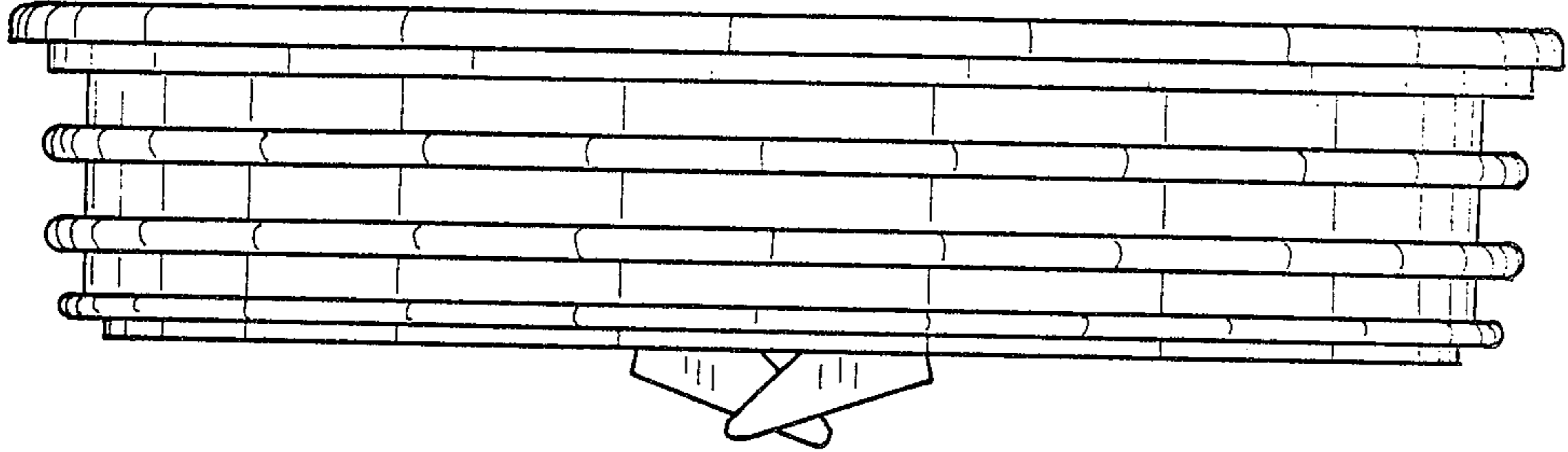


FIG. 8.

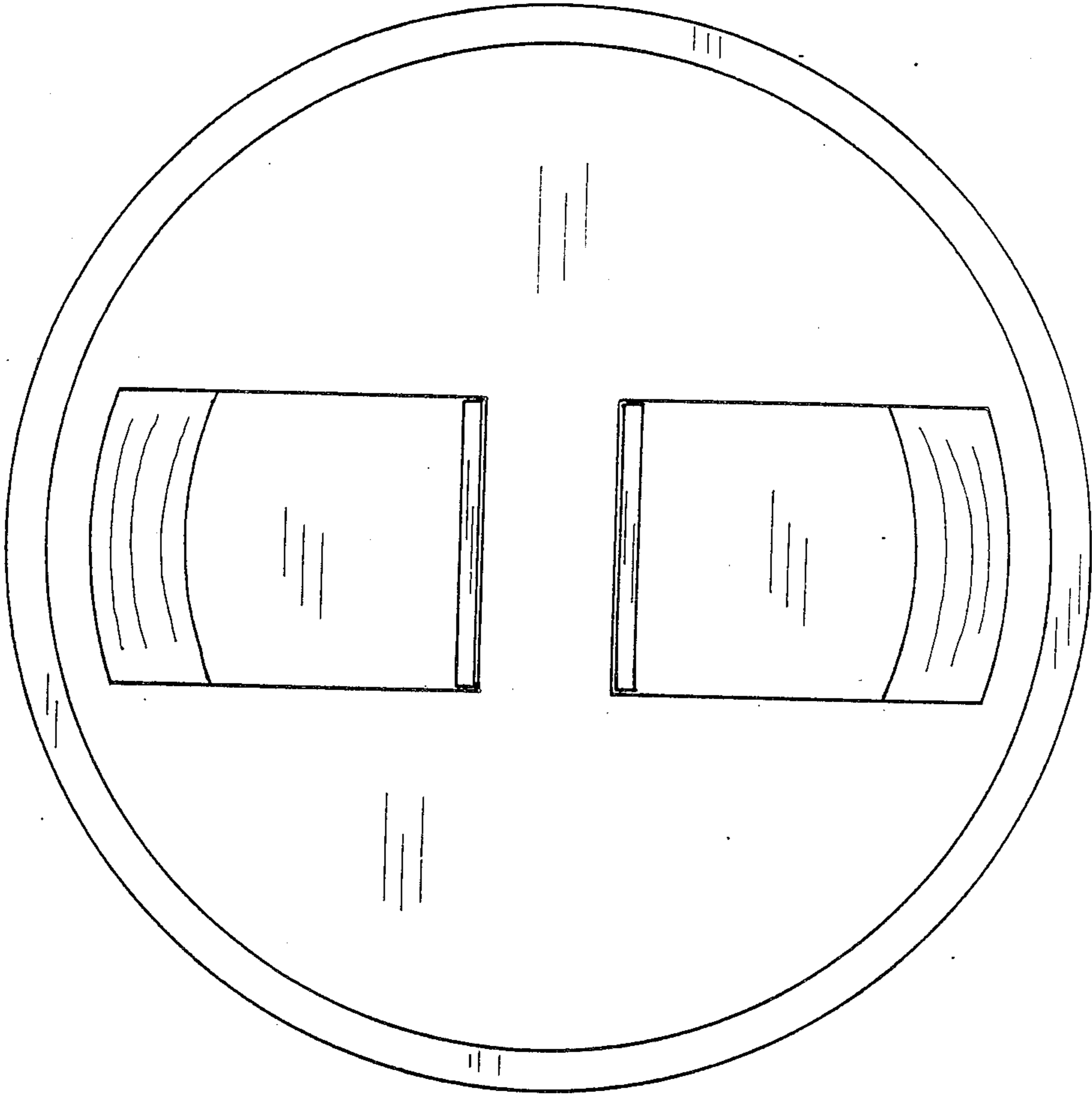


FIG. 9.

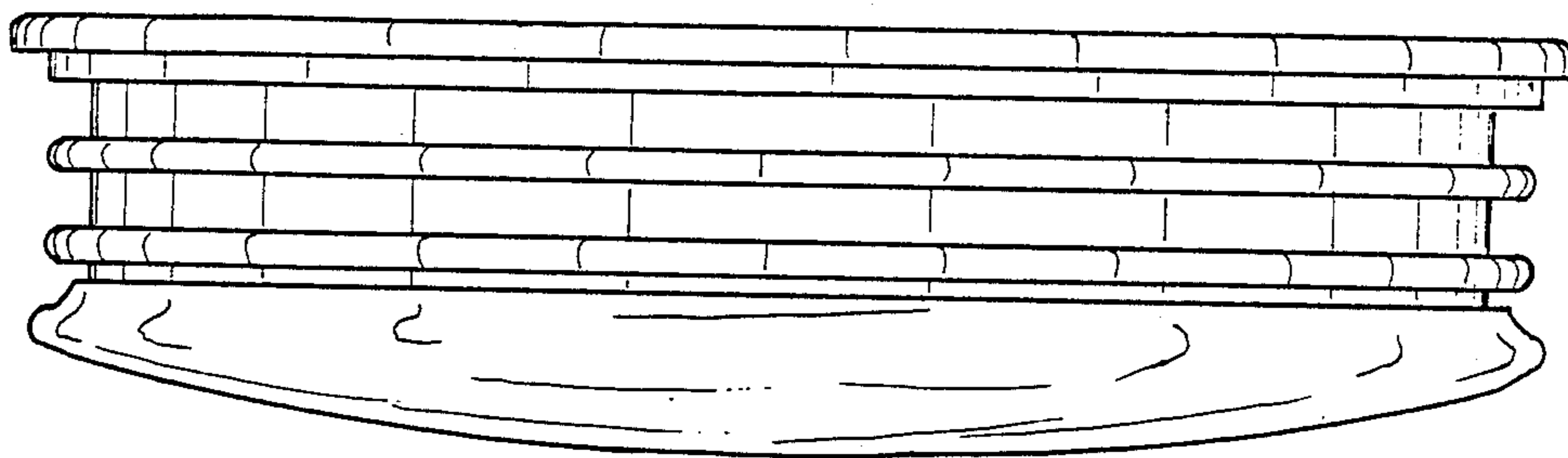


FIG. 10.

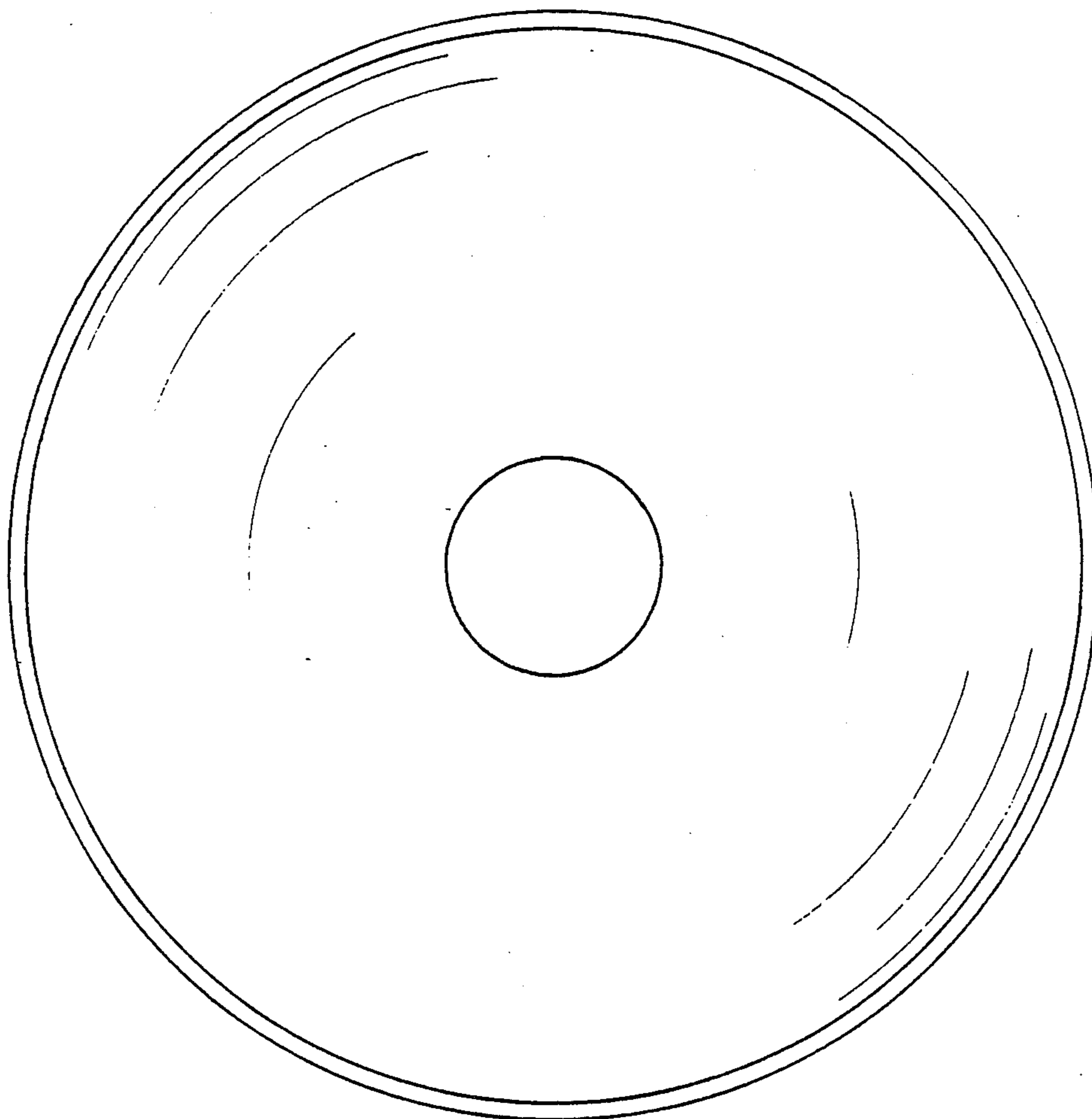


FIG. 11.

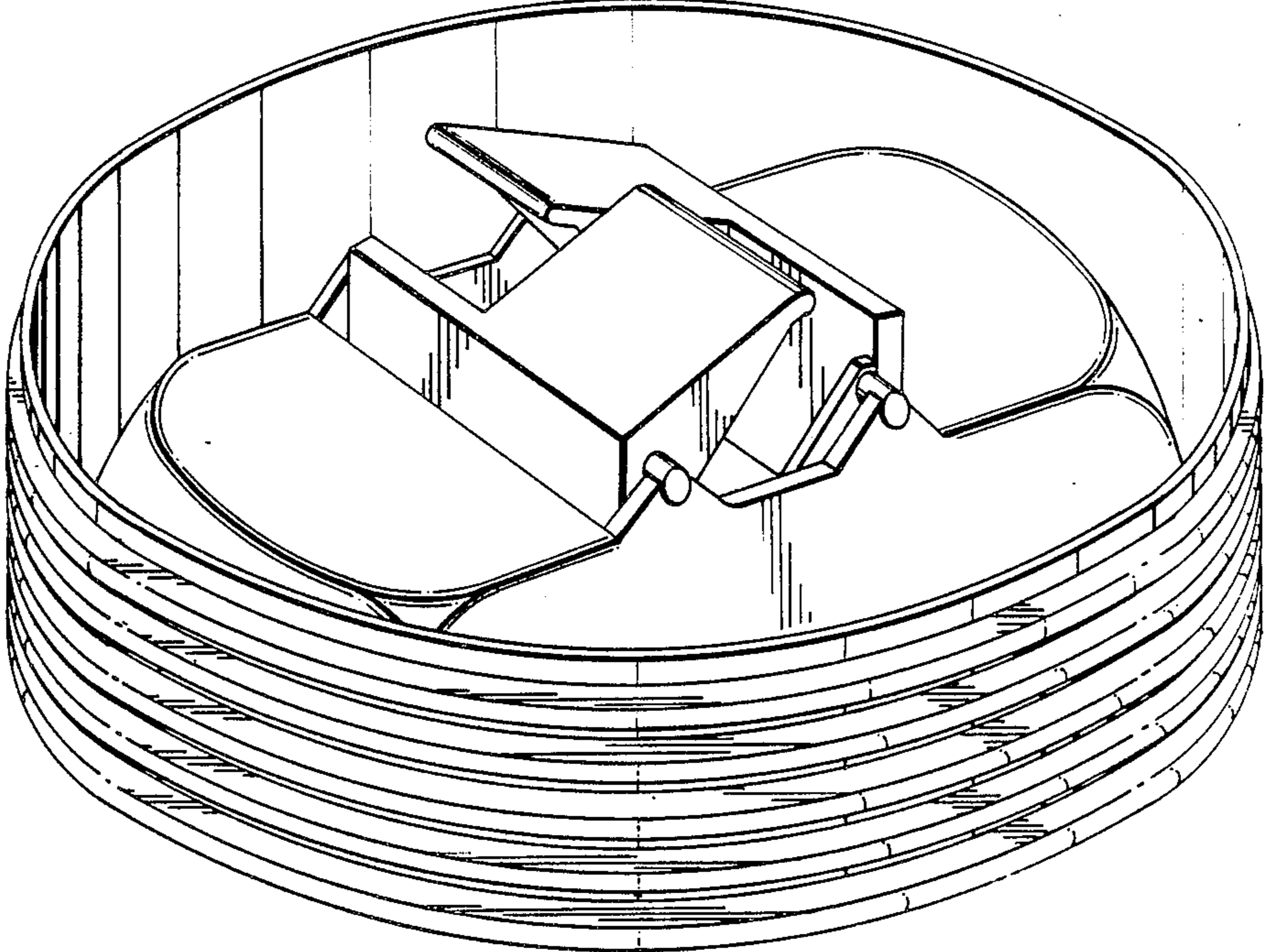


FIG. 12.