

[54] NOZZLE KEEPER

[76] Inventor: Roy A. Spinetta, 16750 SE. Tong Rd., Clakamas, Oreg. 97015

[**] Term: 14 Years

[21] Appl. No.: 18,186

[22] Filed: Feb. 24, 1987

[52] U.S. Cl. D8/373; D6/553; 248/312; 52/513

[58] Field of Search D8/367, 373, 394, 395, D8/396; D6/552, 556, 545, 526, 567, 569; 51/689, 513; 248/313, 316.1, 312, 309.2

[56] References Cited

U.S. PATENT DOCUMENTS

D. 31,930	12/1899	Lan	D8/373
D. 157,925	3/1950	Todd	D8/373
D. 163,795	7/1951	Eastman	D6/526
D. 252,361	7/1979	Pape	D6/526
D. 285,147	8/1986	Le Cocq, Jr.	D6/552 X
D. 286,119	10/1986	Enquist	D6/552
2,508,945	5/1950	Heuer	248/312 X

2,581,019	1/1952	Heide	248/312
3,350,830	11/1967	Smith, Jr. et al.	52/513 X
4,350,253	9/1982	Rusteberg	248/312 X
4,637,580	1/1987	Idstein	248/312 X

FOREIGN PATENT DOCUMENTS

558699 1/1944 United Kingdom 248/313

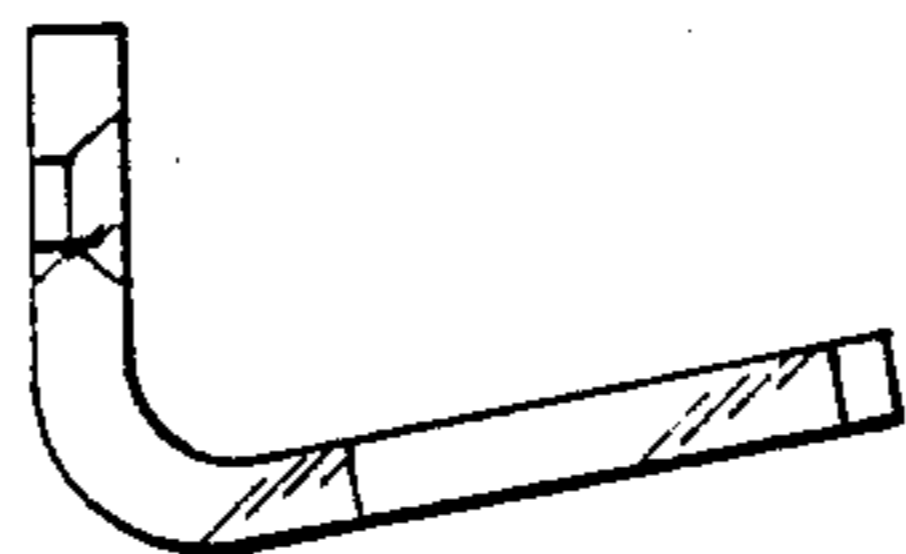
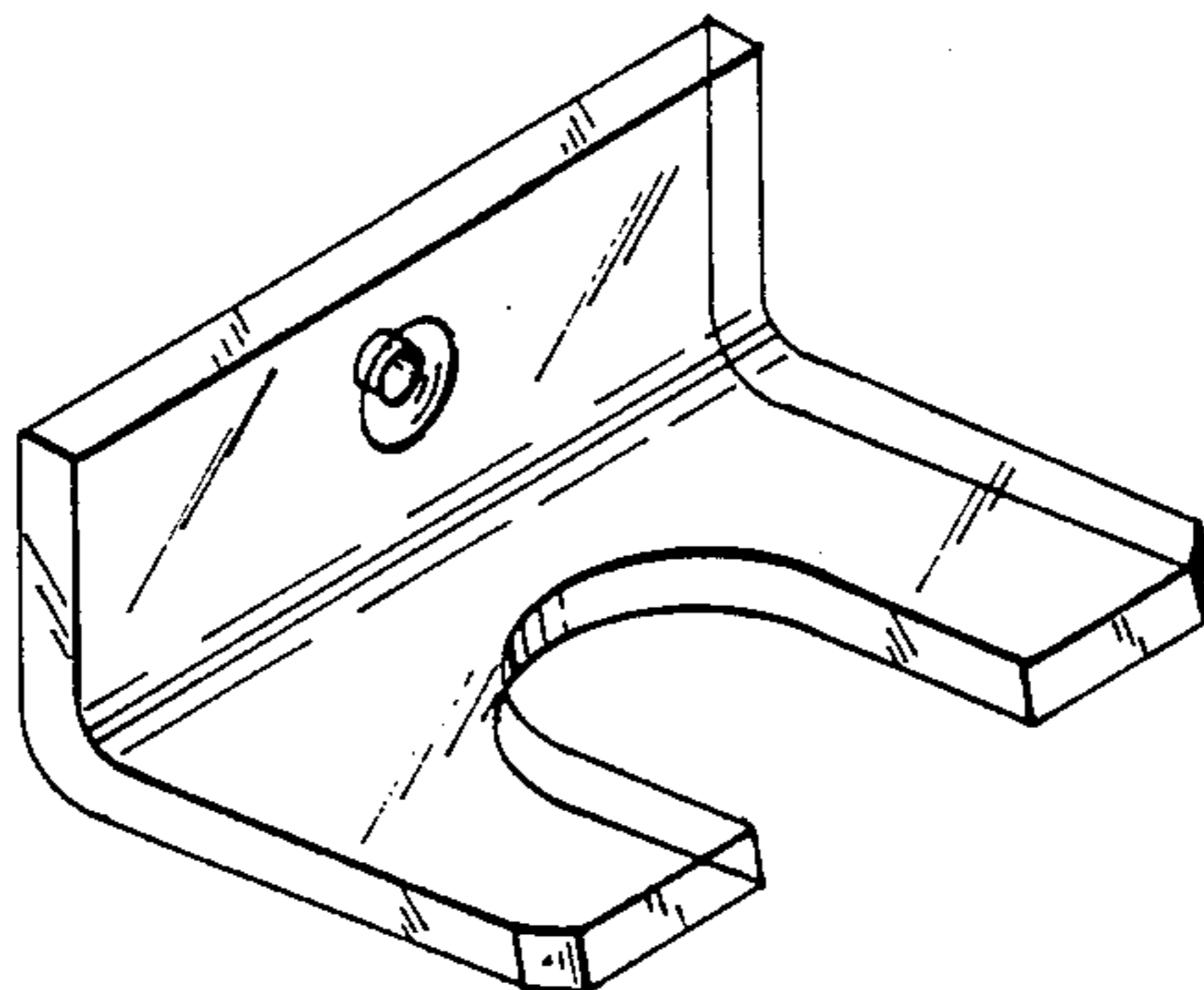
Primary Examiner—Horace B. Fay
Attorney, Agent, or Firm—Richard L. Miller

[57] CLAIM

The ornamental design for a nozzle keeper, as shown and described.

DESCRIPTION

FIG. 1 is a right side, top and front perspective view of a nozzle keeper showing my new design;
FIG. 2 is a top plan view thereof;
FIG. 3 is right side elevational view thereof, the left side being a mirror image;
FIG. 4 is a front elevational view thereof;
FIG. 5 is a bottom plan view thereof; and
FIG. 6 is a rear elevational view thereof.



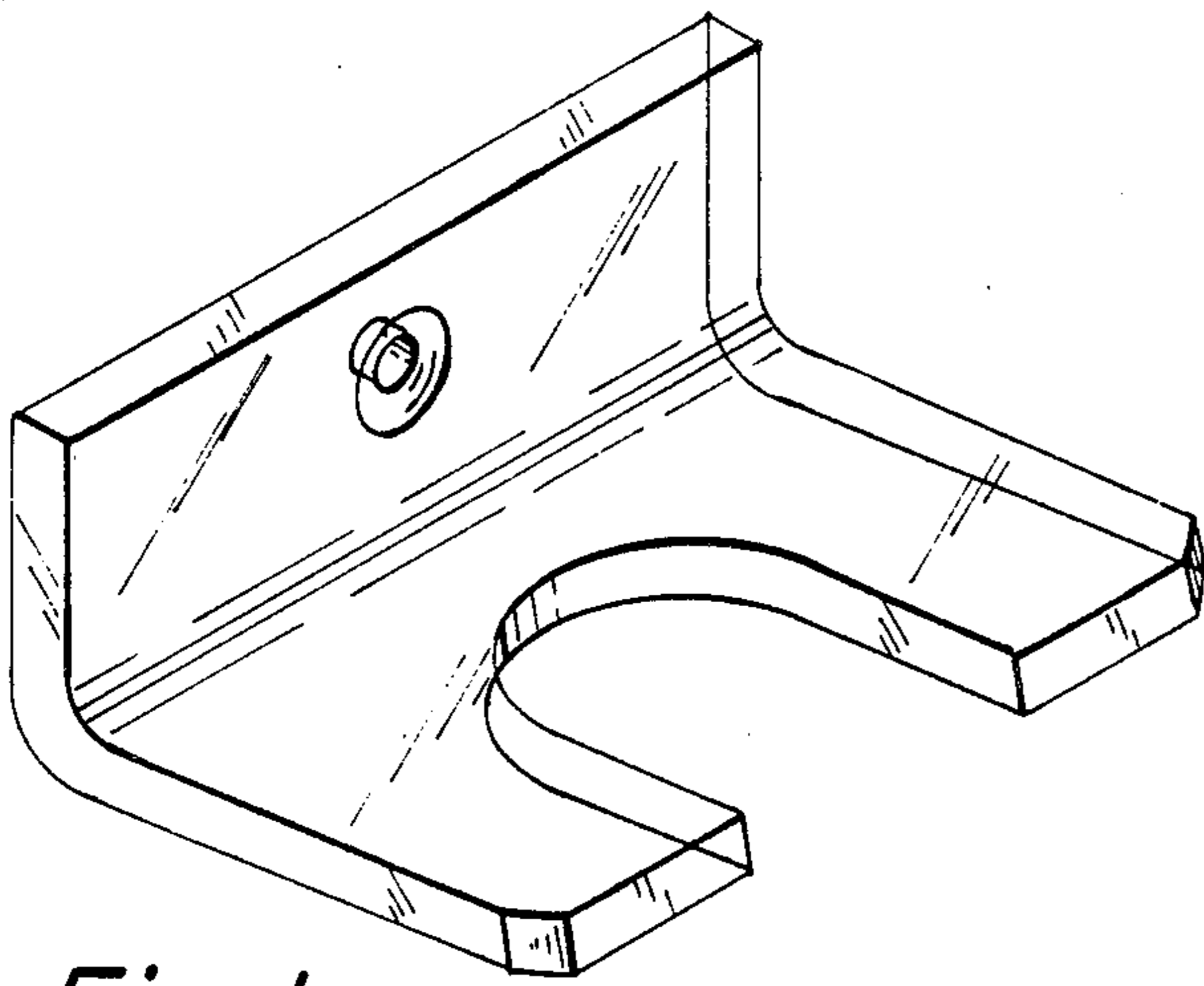


Fig. 1

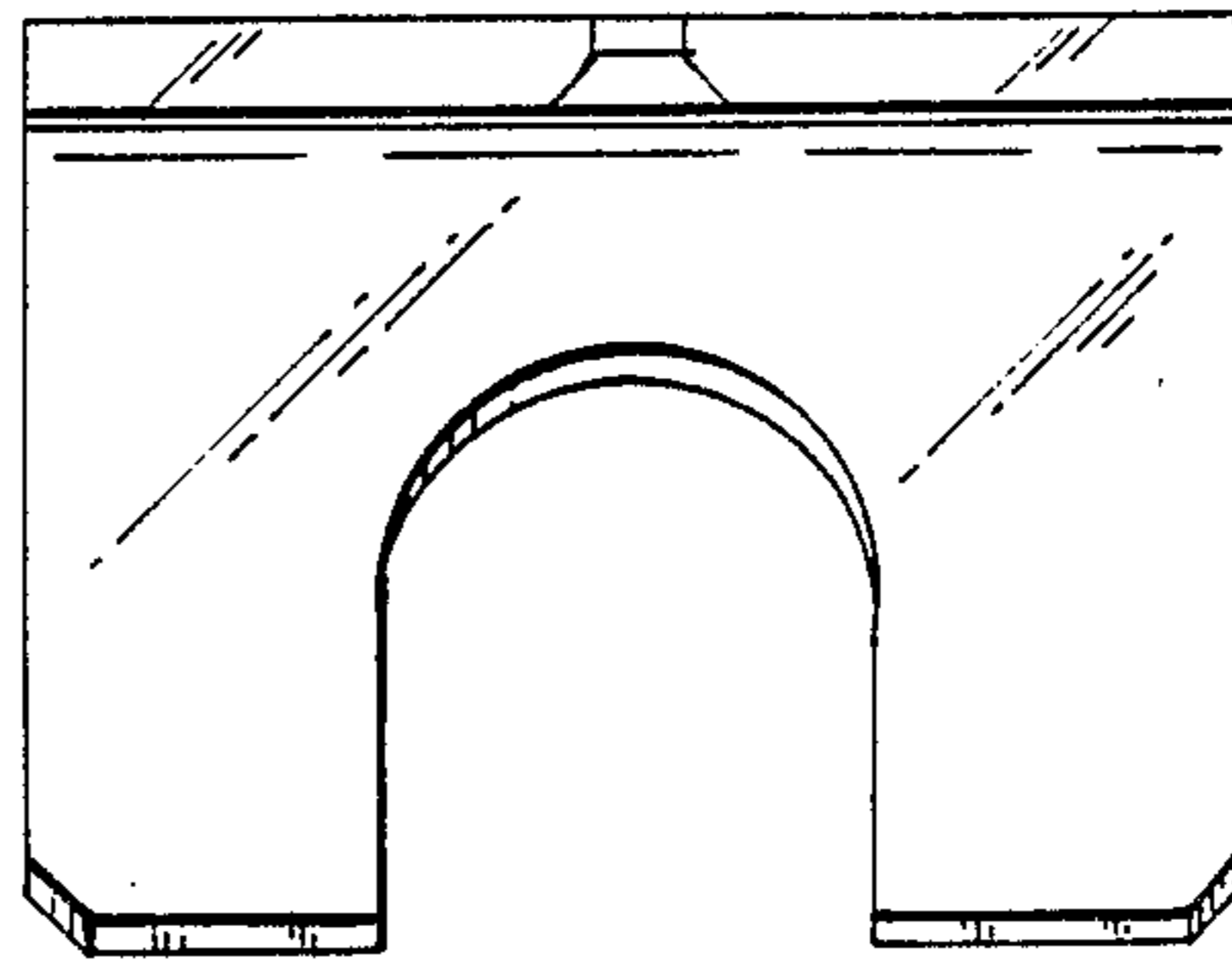


Fig. 2

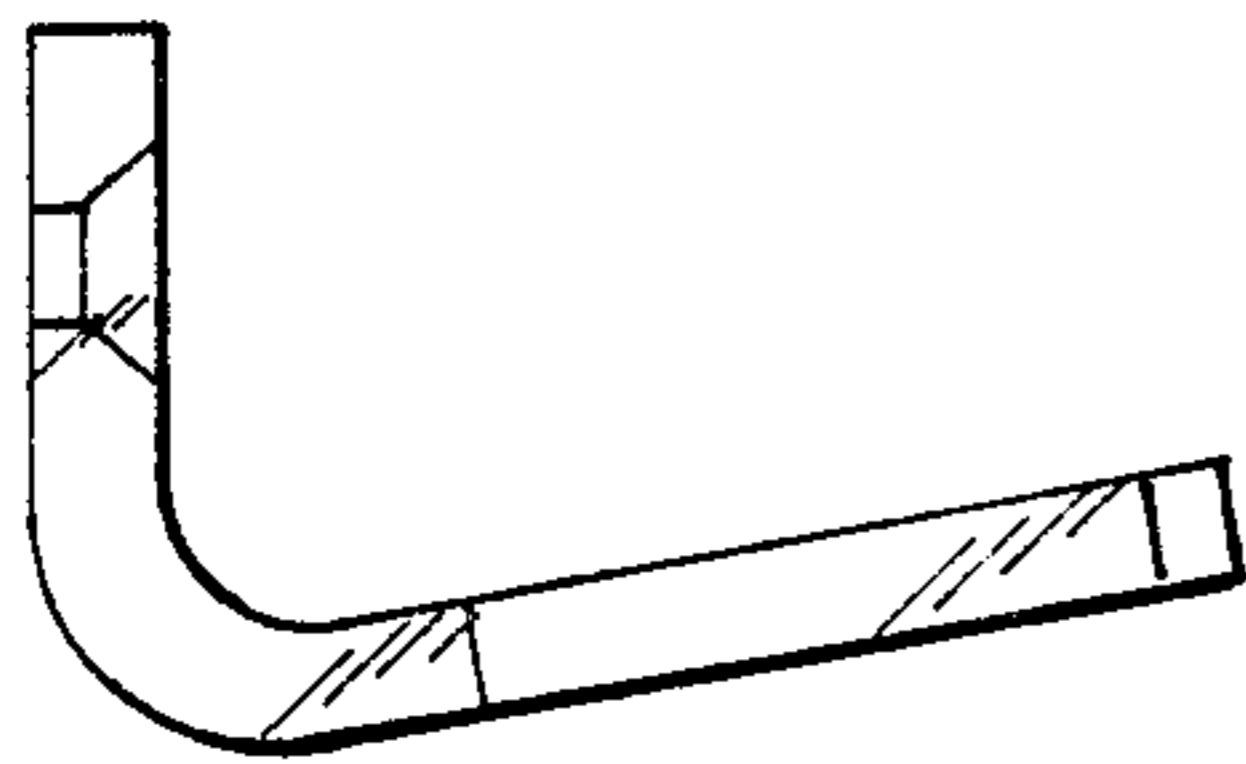


Fig. 3

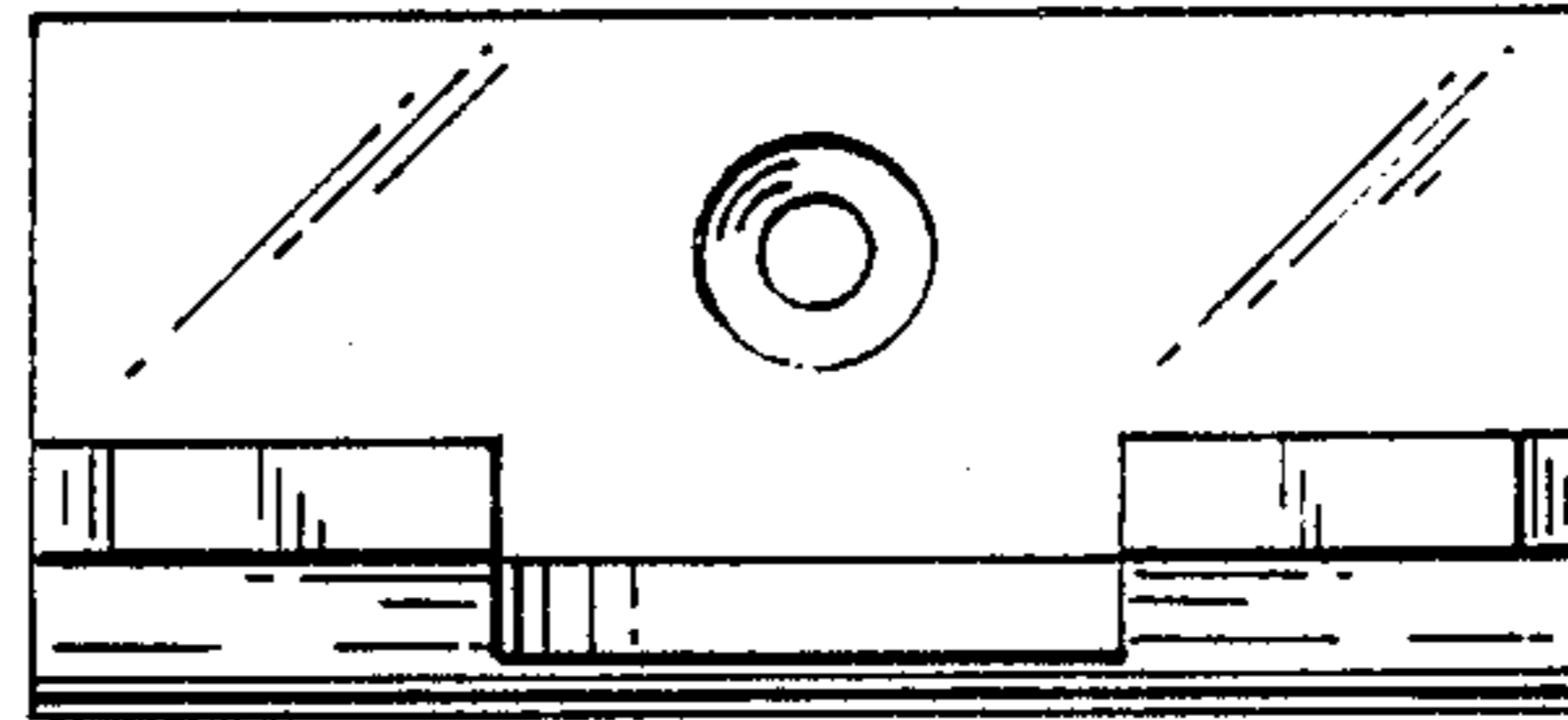


Fig. 4

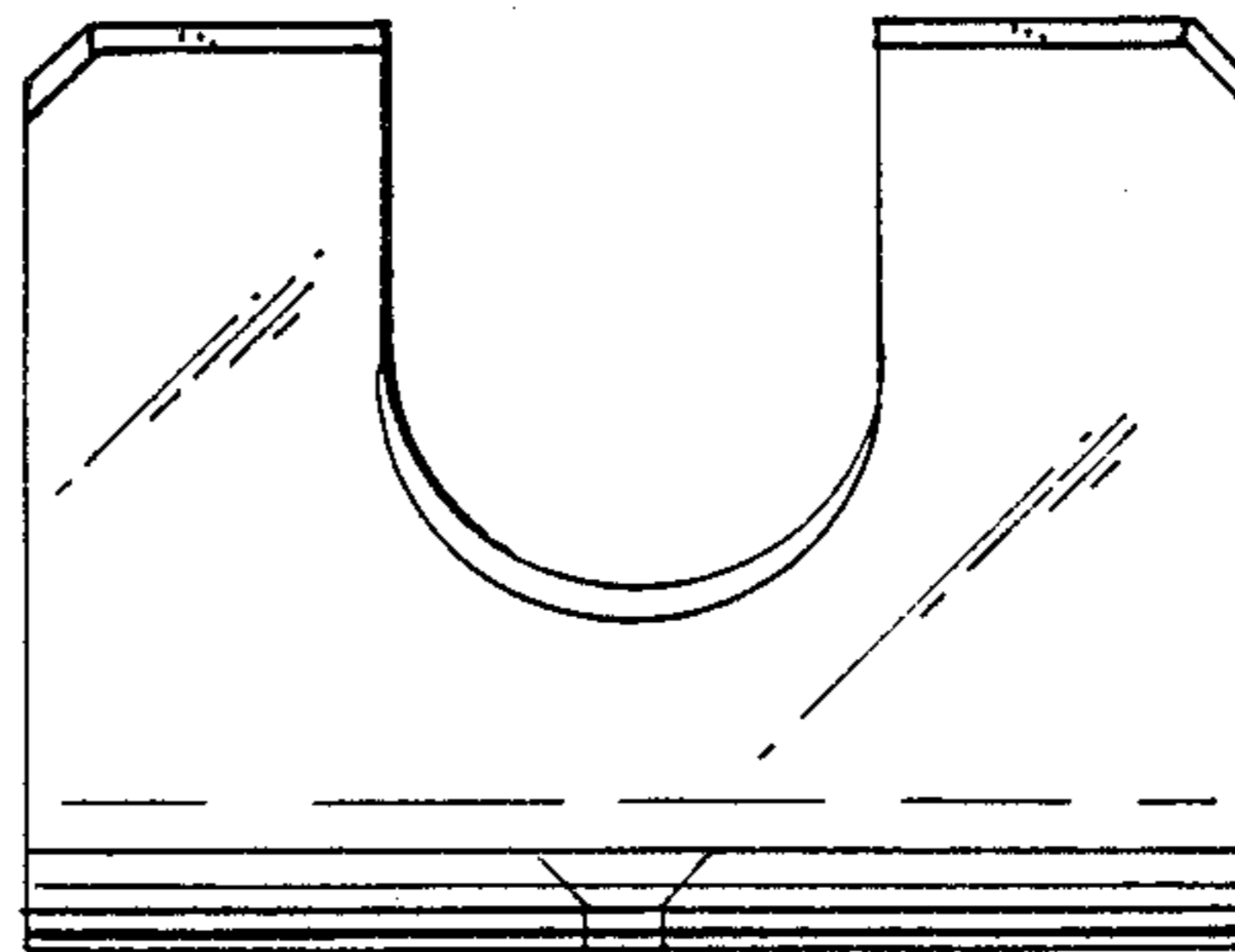


Fig. 5

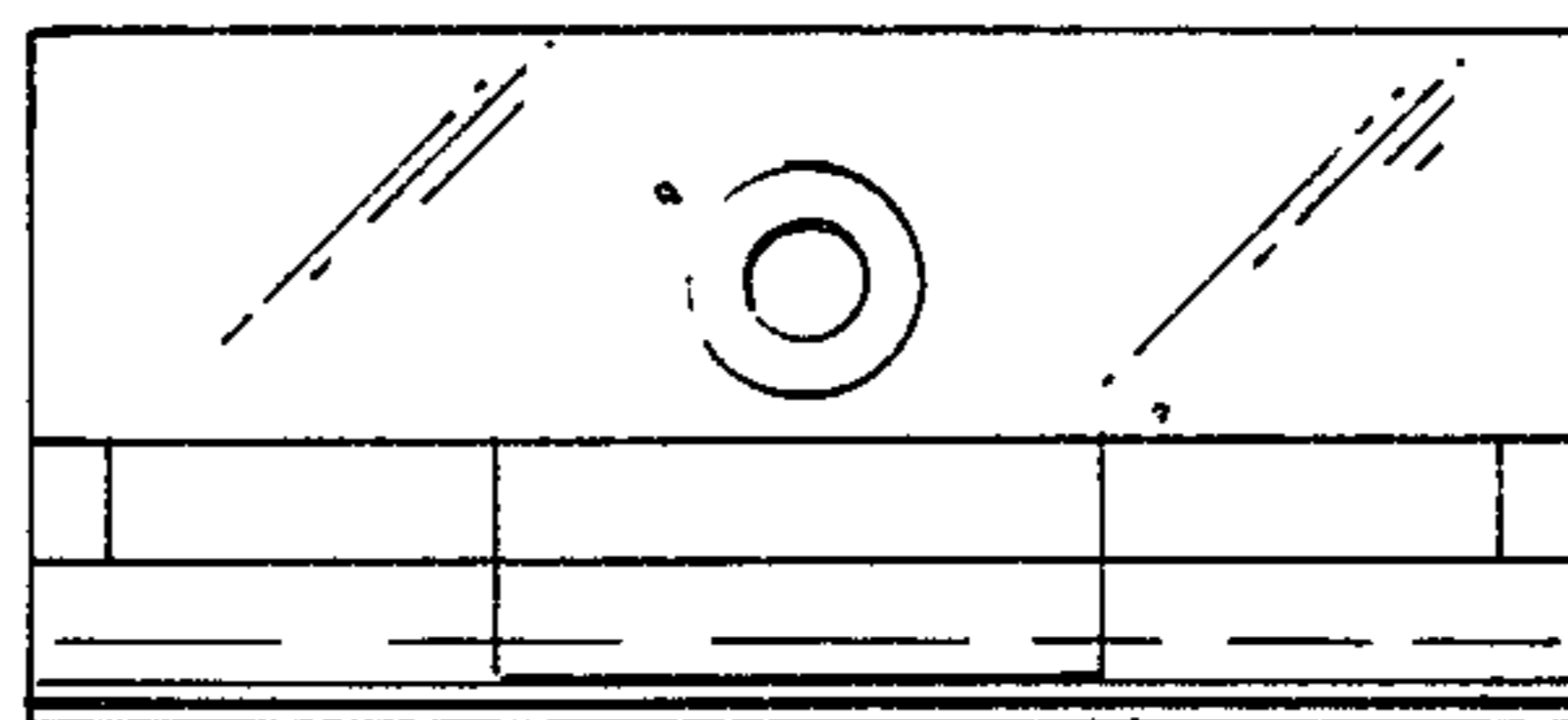


Fig. 6