

[54] BAND SAW STAND

[56] References Cited

[76] Inventor: Leonard G. Martin, P.O. Box 217,  
Yanceyville, N.C. 27379

U.S. PATENT DOCUMENTS

D. 278,440	4/1985	Ferdinand et al.	.....	D15/141
3,007,499	11/1961	Dobslaw	.....	83/574
3,072,164	1/1963	Ramirez et al.	.....	83/788
3,871,137	3/1975	Grammatico	.....	51/166 R
4,214,498	7/1980	Zukas et al.	.....	83/574

[\*\*] Term: 14 Years

Primary Examiner—Wallace R. Burke  
Assistant Examiner—R. Takemoto

[21] Appl. No.: 787,048

[57] CLAIM

The ornamental design for a band saw stand, as shown and described.

[22] Filed: Oct. 15, 1985

DESCRIPTION

[52] U.S. Cl. .... D8/71; D8/73;  
D15/140

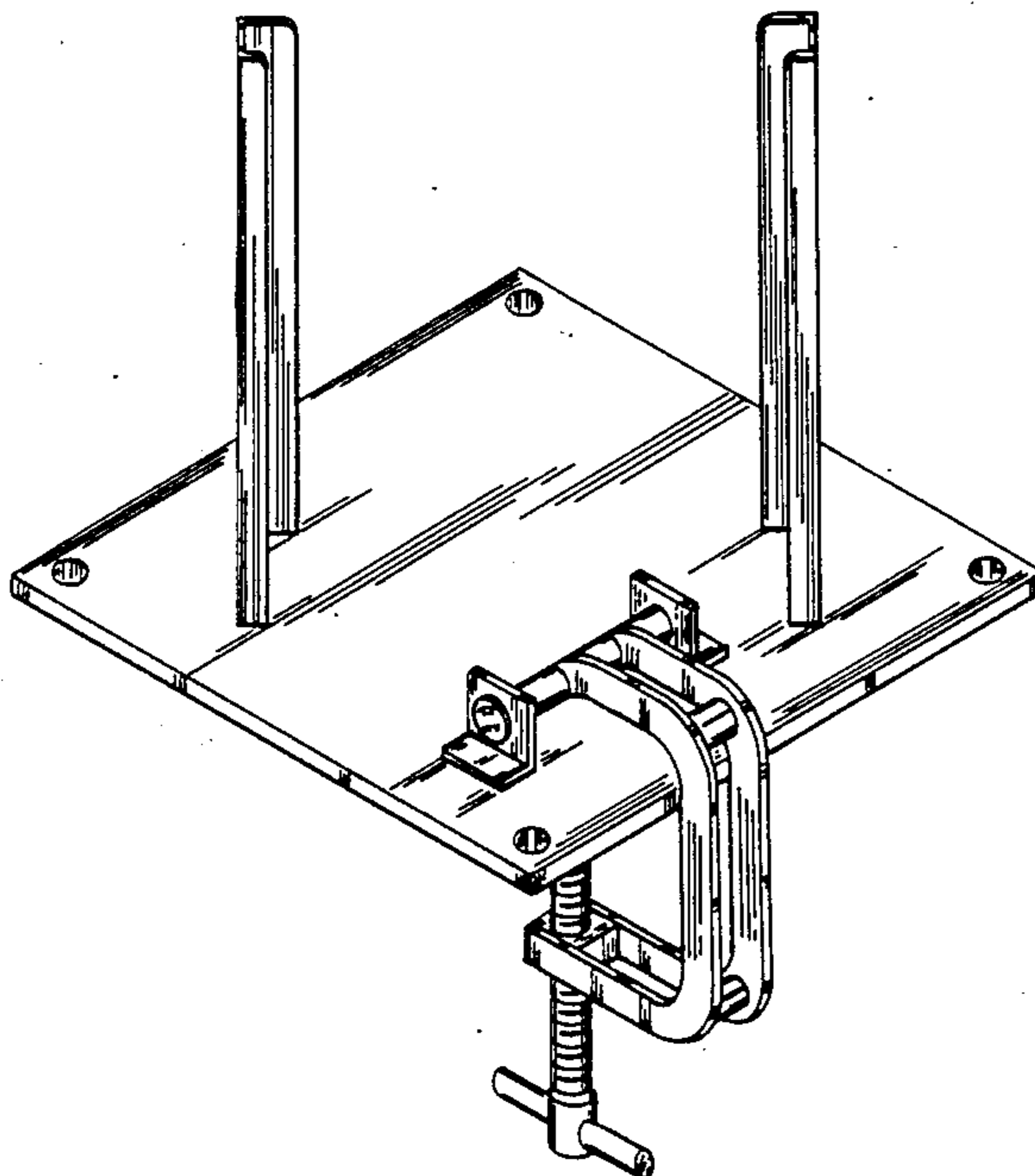
FIG. 1 is a top, front and right side perspective view of a band saw stand showing my new design;

[58] Field of Search ..... D8/71, 73; D15/140,  
D15/141, 138; 83/788, 809, 813, 574, 438, 442,  
448; 30/380; 269/83; 144/35 A

FIG. 2 is a top plan view thereof;

FIG. 3 is a front elevational view; and

FIG. 4 is a bottom plan view.



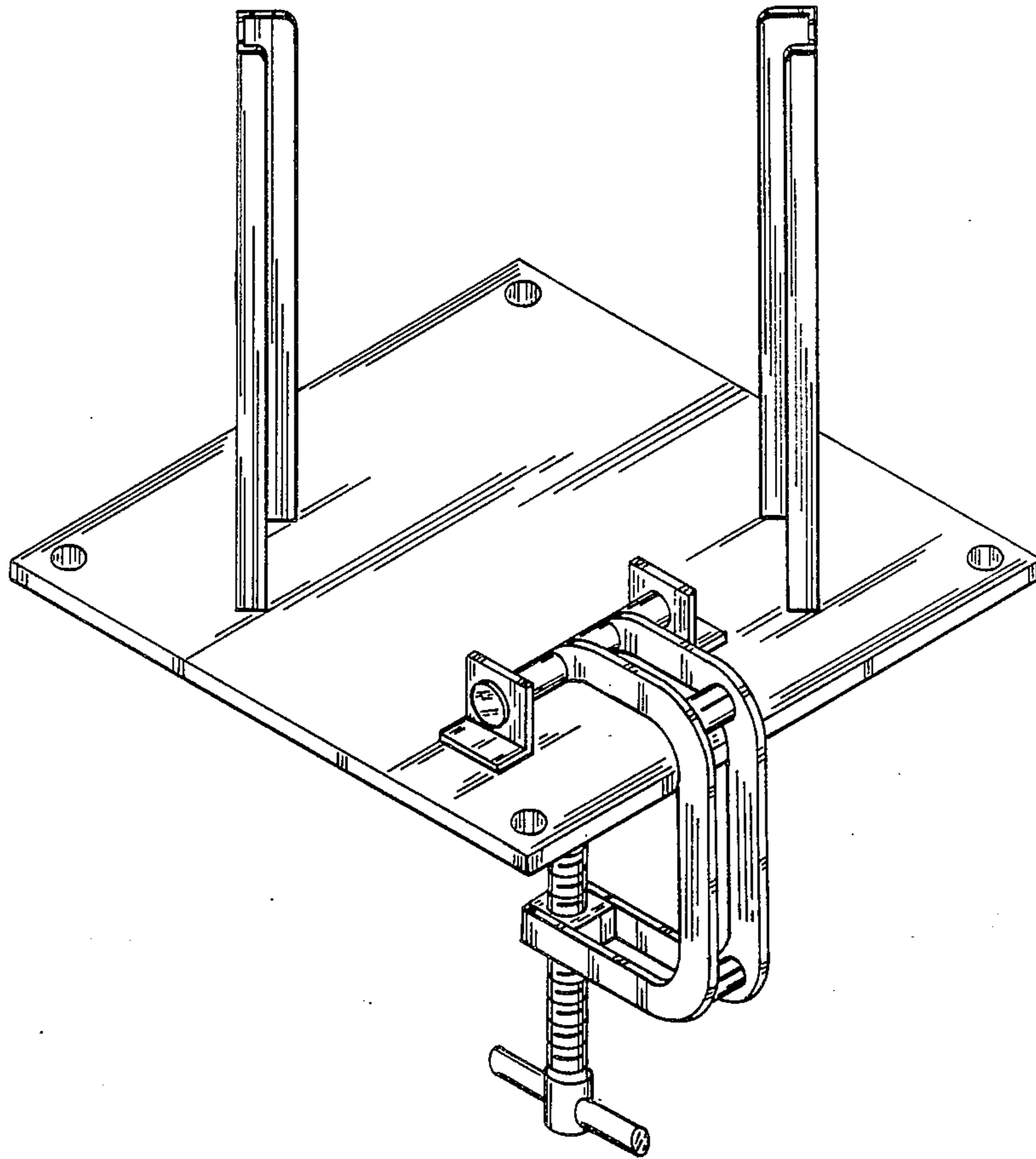


FIG. 1

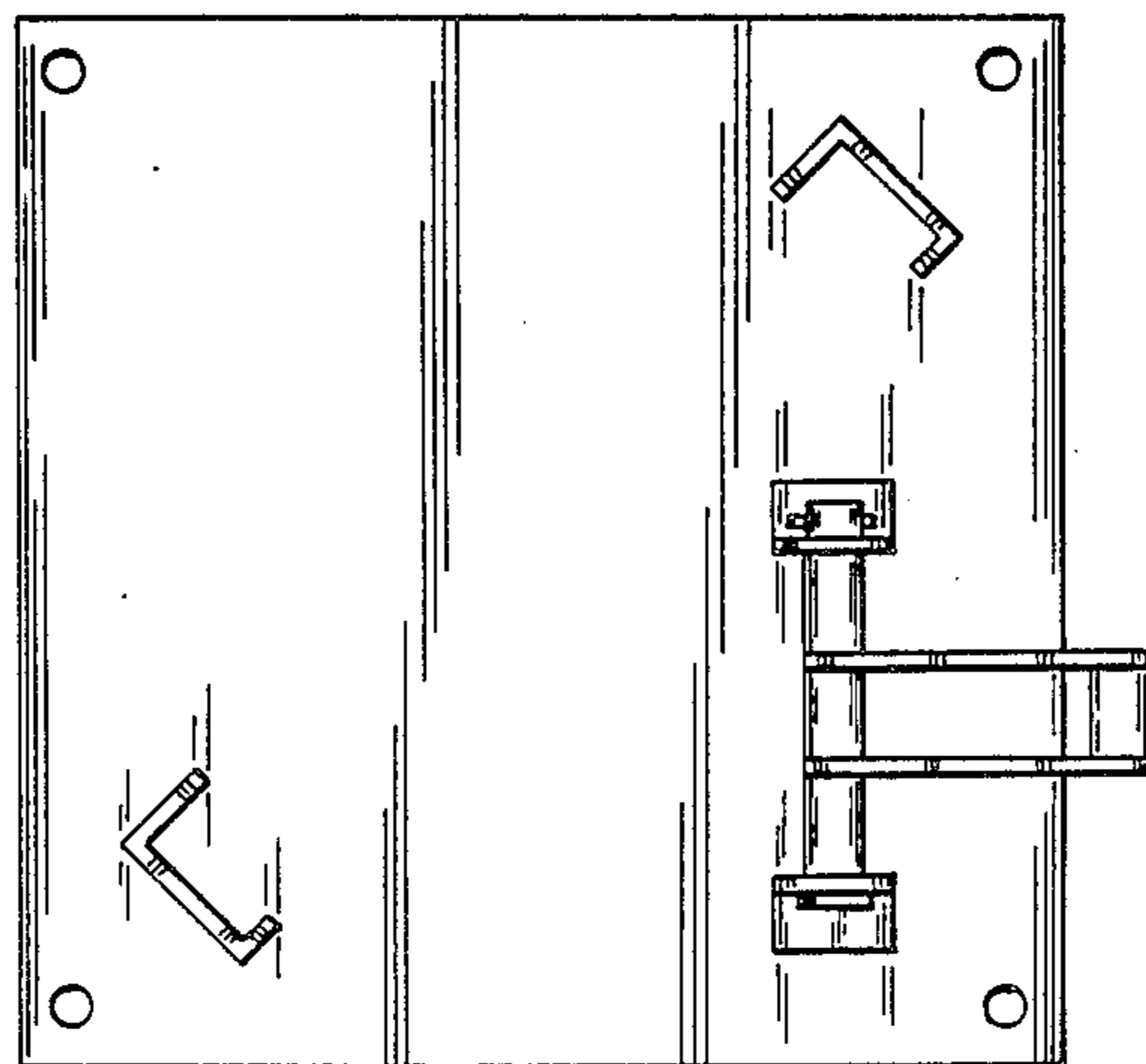


FIG. 2

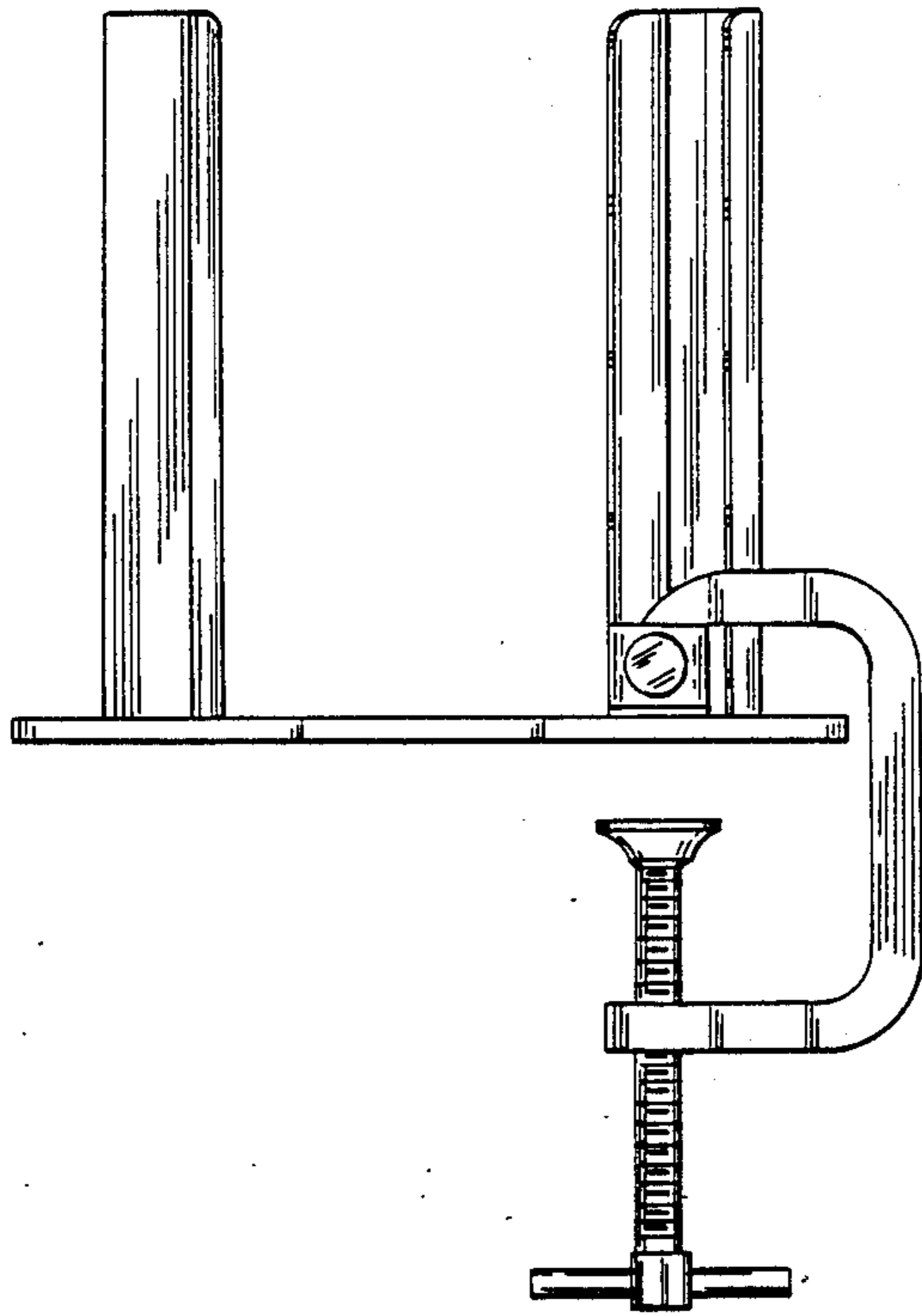


FIG. 3

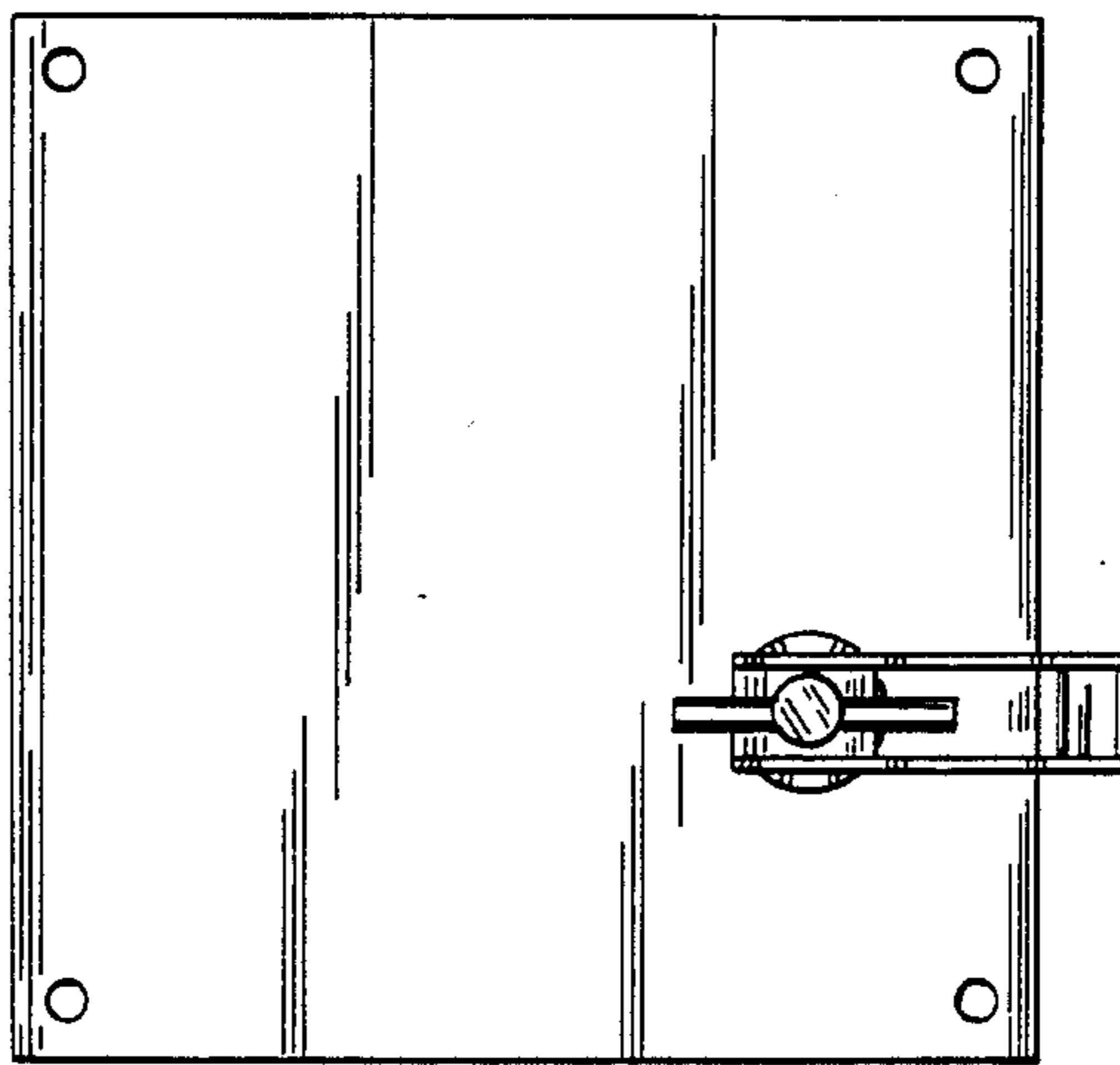


FIG. 4