

[54] **ELECTRIC SCISSORS**

[76] **Inventor:** John S. Doyel, 404 W. 20th St., New York, N.Y. 10011

[**] **Term:** 14 Years

[21] **Appl. No.:** 732,225

[22] **Filed:** May 8, 1985

[52] **U.S. Cl.** D8/69; D8/57

[58] **Field of Search** D8/57, 61, 58, 69; 30/215, 145, 29, 228, 232; 7/135

[56] **References Cited**

U.S. PATENT DOCUMENTS

3,808,682 5/1974 Sumida 30/228

OTHER PUBLICATIONS

Saw Business, 9/1975, p. 35, scissors, #200, middle row left side.

Primary Examiner—Bernard Ansher
Assistant Examiner—Terry Pfeffer
Attorney, Agent, or Firm—Cooper & Dunham

[57] **CLAIM**

The ornamental design for electric scissors, as shown and described.

DESCRIPTION

FIG. 1 is a perspective view of electric scissors showing my new design.

FIG. 2 is a top plan view thereof.

FIG. 3 is a bottom plan view thereof.

FIG. 4 is a side elevational view thereof.

FIG. 5 is a partial opposite side elevational view thereof, the remainder being visible in the other figures.

FIG. 6 is a front elevational view thereof.

FIG. 7 is a back elevational view thereof.

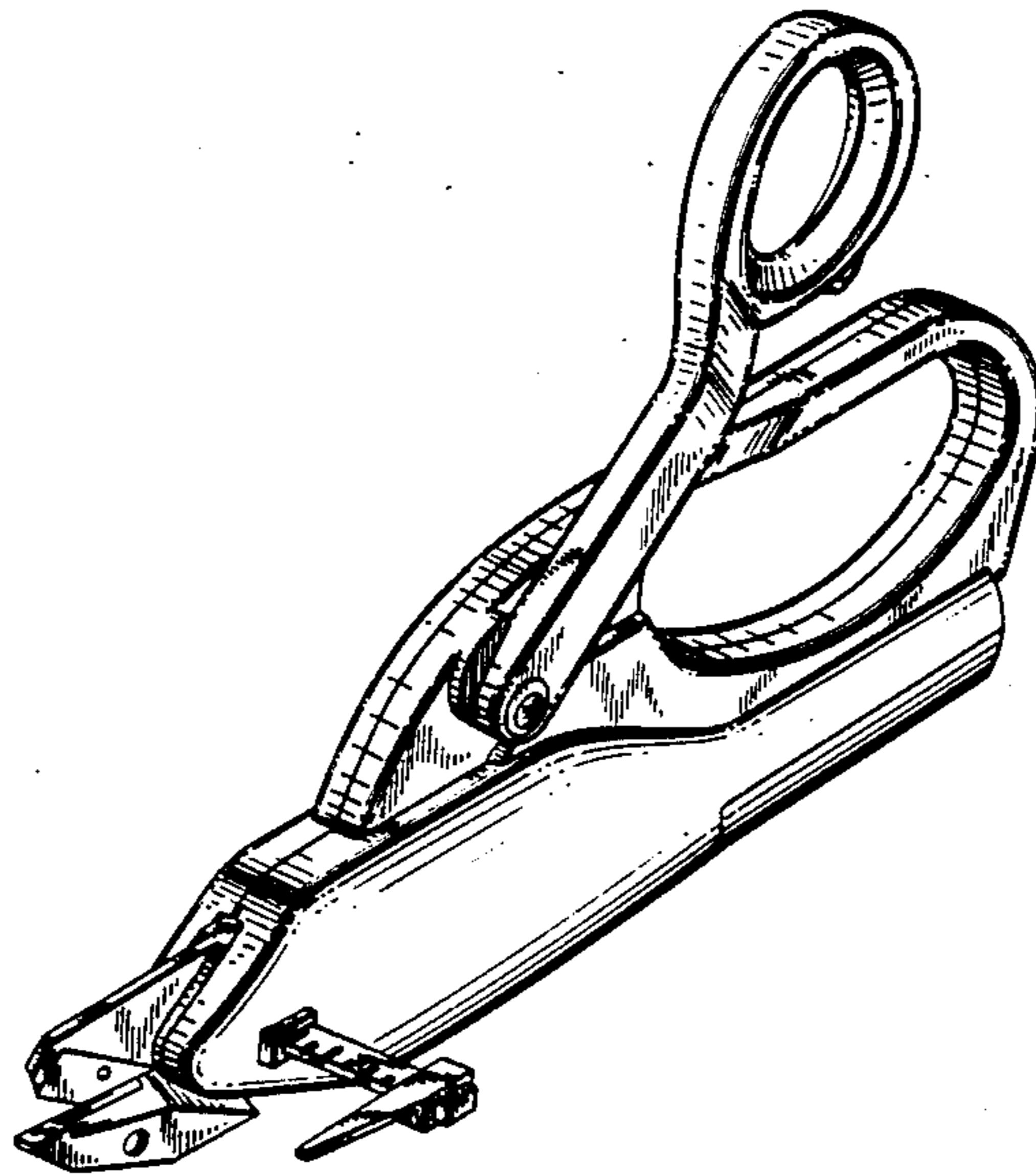
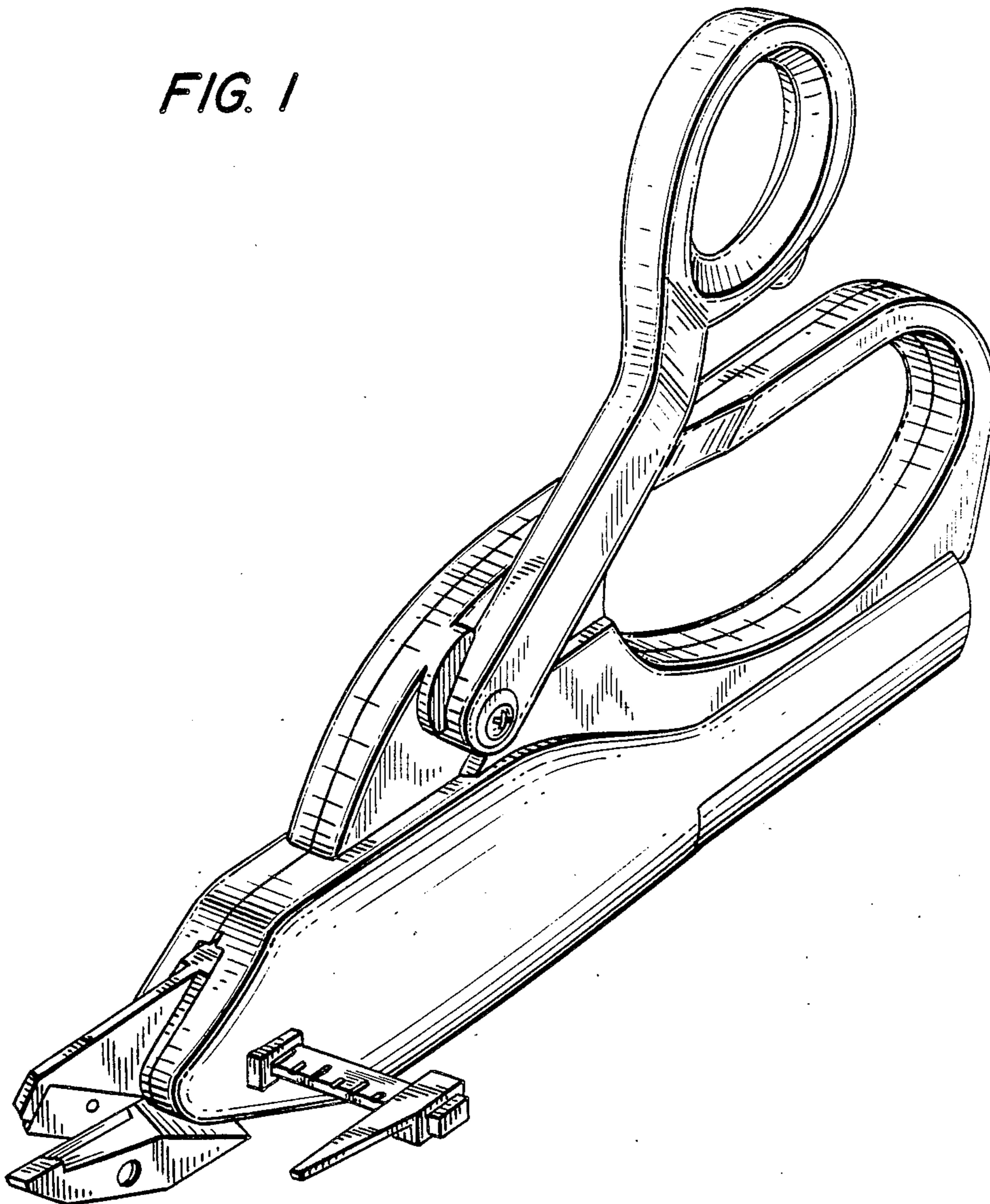


FIG. 1



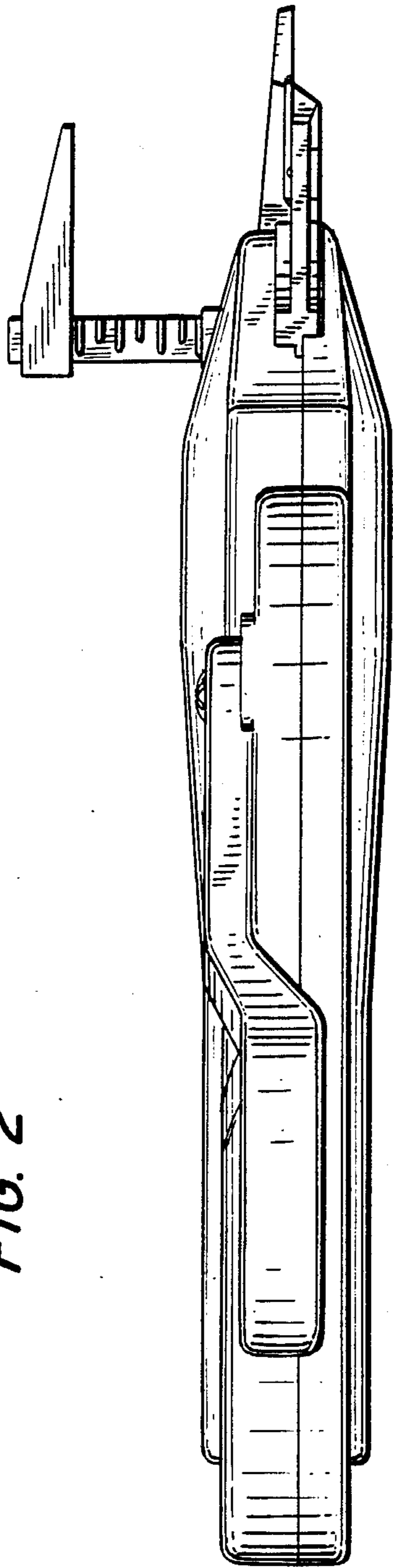


FIG. 2

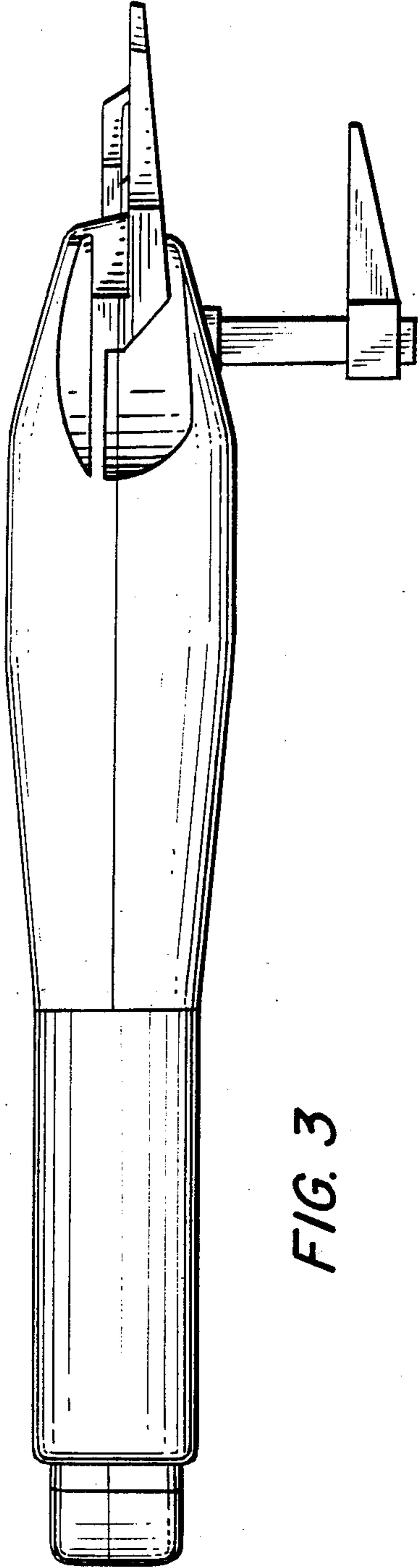


FIG. 3

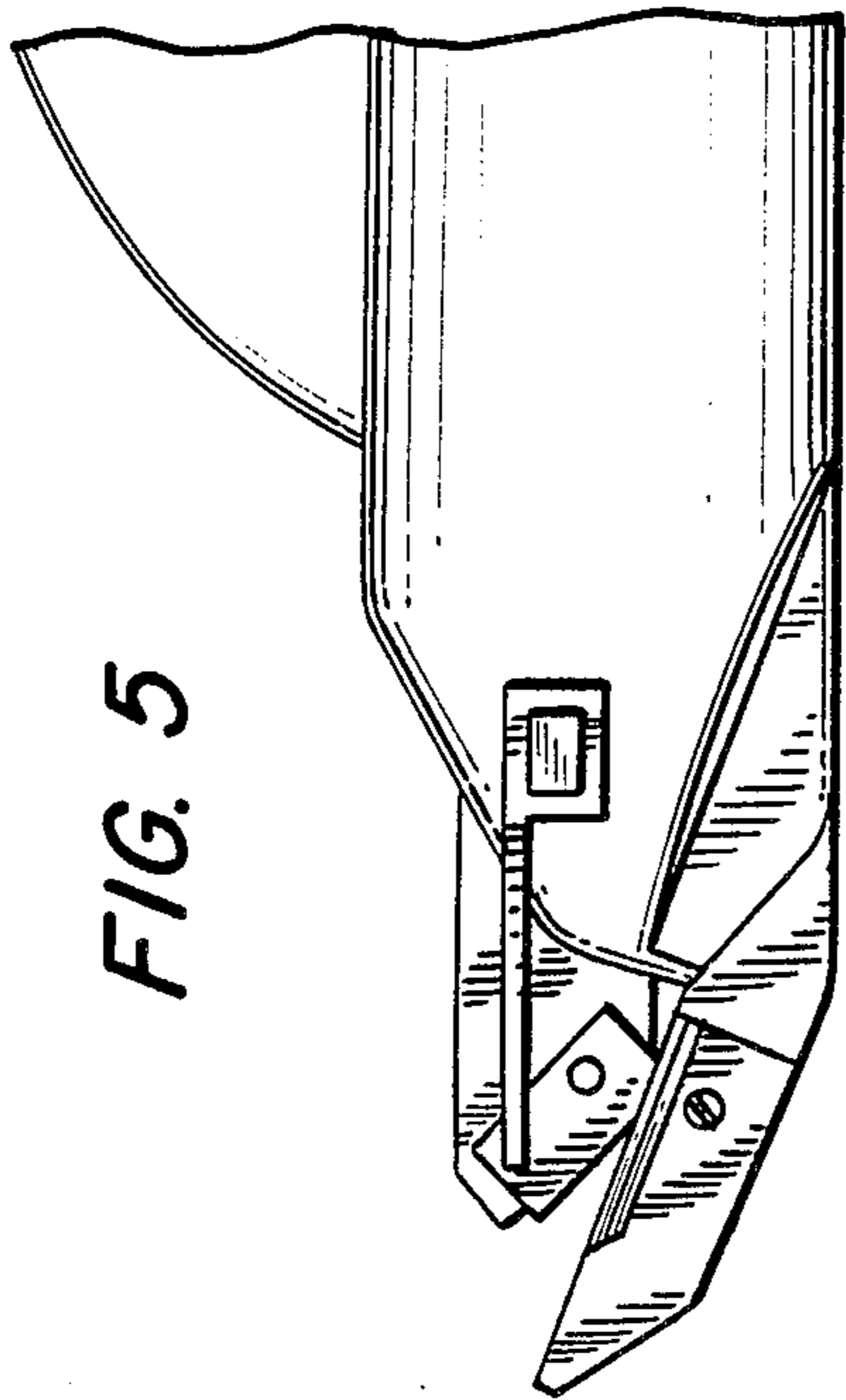


FIG. 5

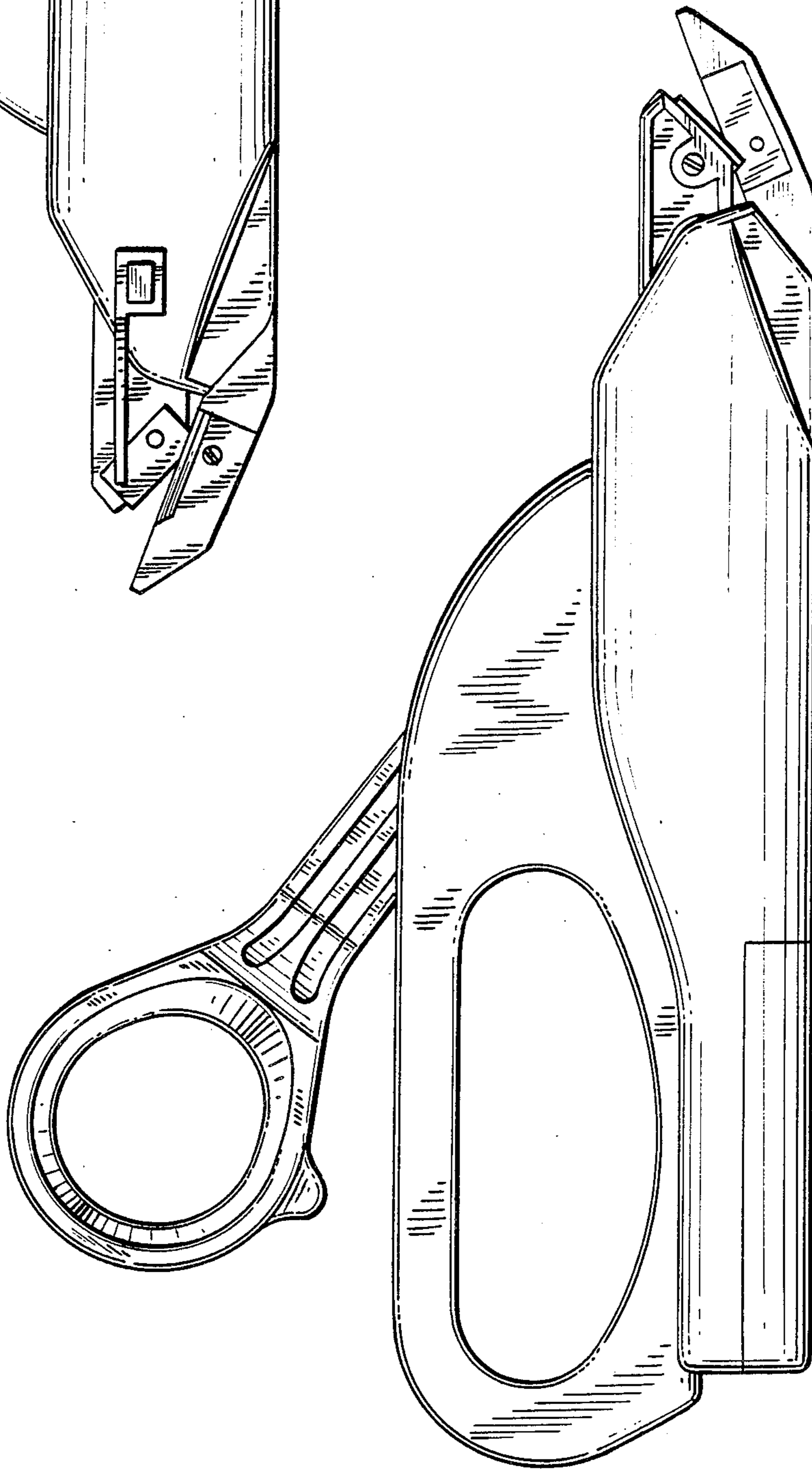


FIG. 4

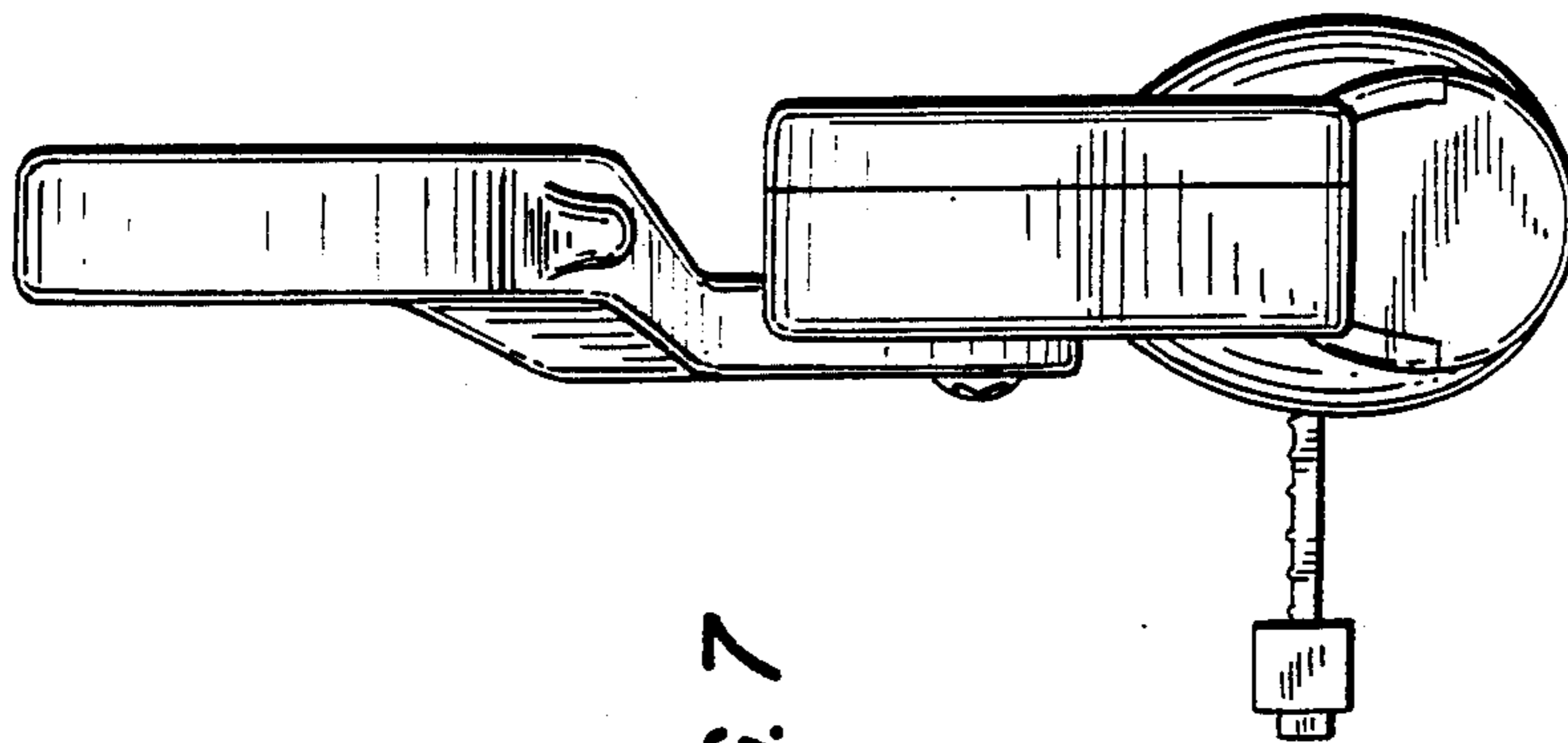


FIG. 7

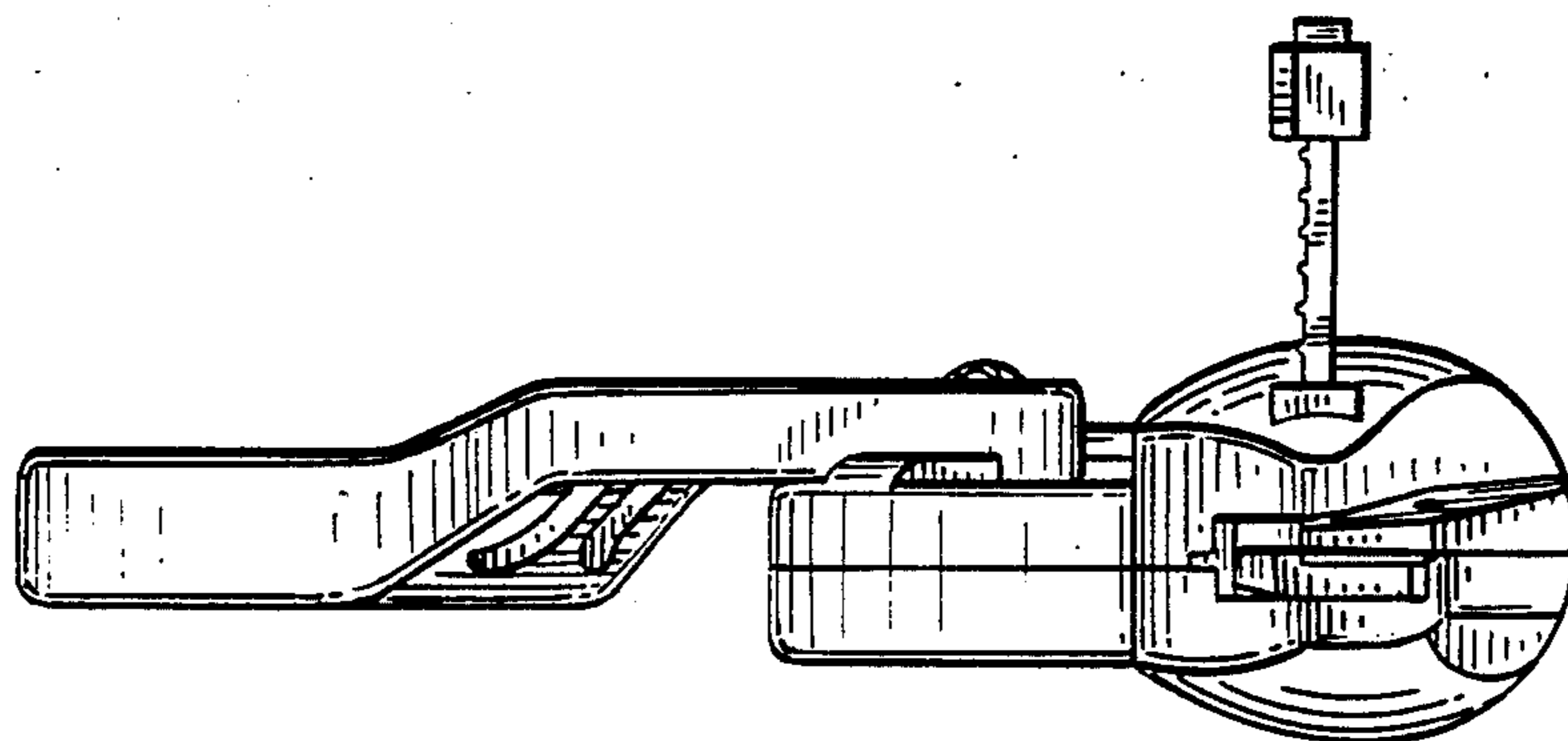


FIG. 6