

United States Patent [19]

Moore, Jr. et al.

[11] Patent Number: **Des. 296,513**

[45] Date of Patent: **** Jul. 5, 1988**

[54] **QUICK GRIP PIPE WRENCH**

[76] Inventors: **Jerry R. Moore, Jr.; B. Diane Moore,**
both of Rte. 2, Box 75-C,
Gilbertsville, Ky. 42044

[**] Term: **14 Years**

[21] Appl. No.: **778,426**

[22] Filed: **Sep. 20, 1985**

[52] U.S. Cl. **D8/23**

[58] Field of Search **D8/21, 22, 23; 81/98,**
81/99, 100, 179

[56] **References Cited**

U.S. PATENT DOCUMENTS

D. 149,052 3/1948 Elnes **D8/23**

1,048,067 12/1912 Gray 81/99
1,640,265 8/1927 Crow 81/100
2,319,647 5/1943 Vautrot 81/100

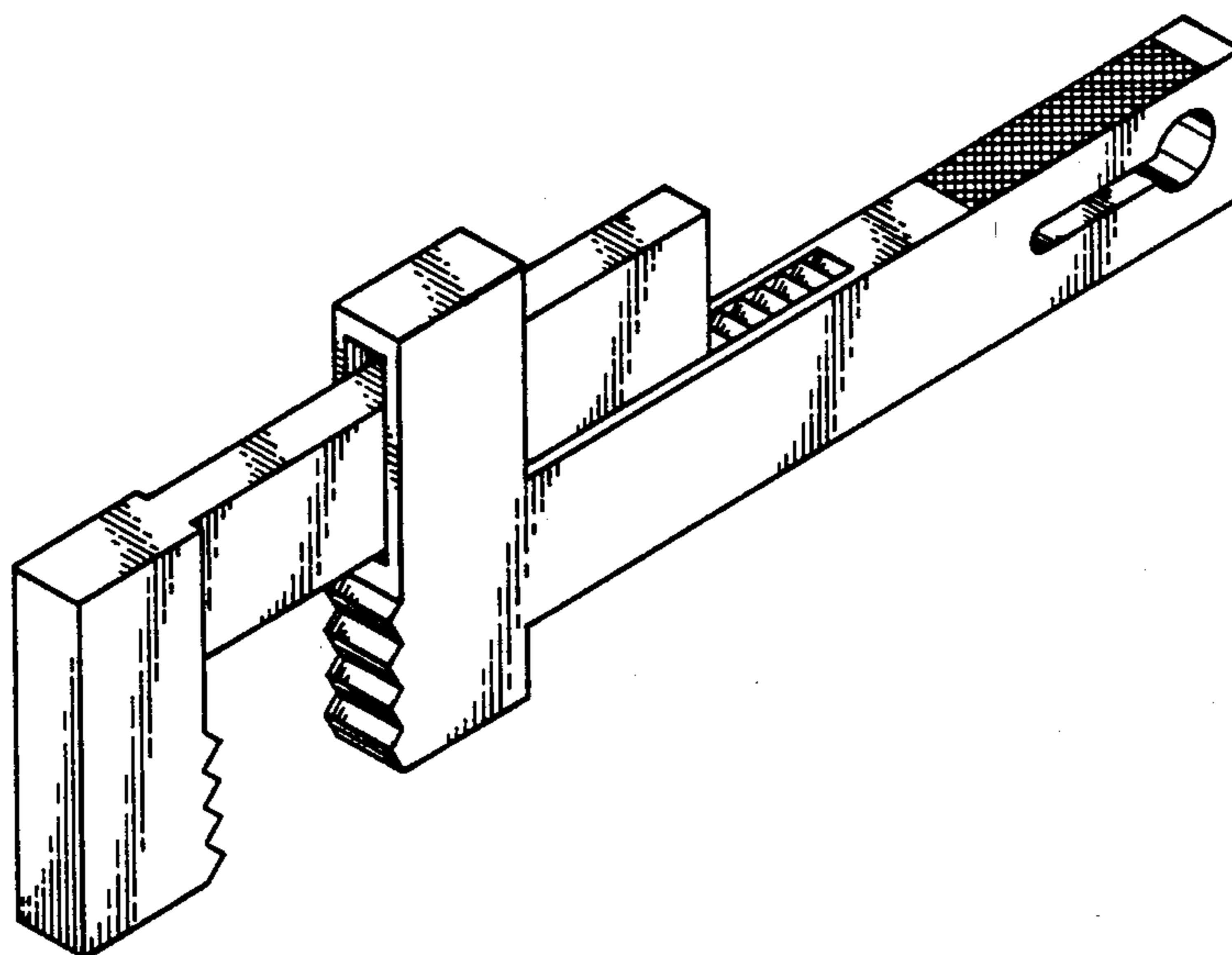
Primary Examiner—James M. Gandy
Attorney, Agent, or Firm—W. C. Tupman

[57] **CLAIM**

The ornamental design for a quick grip pipe wrench, as shown and described.

DESCRIPTION

FIG. 1 is an isometric view of a quick grip pipe wrench showing our new design;
FIG. 2 is a top plan view;
FIG. 3 is a bottom plan view;
FIG. 4 is a left end elevation view;
FIG. 5 is a right end elevation view; and
FIG. 6 is a side elevation view thereof.



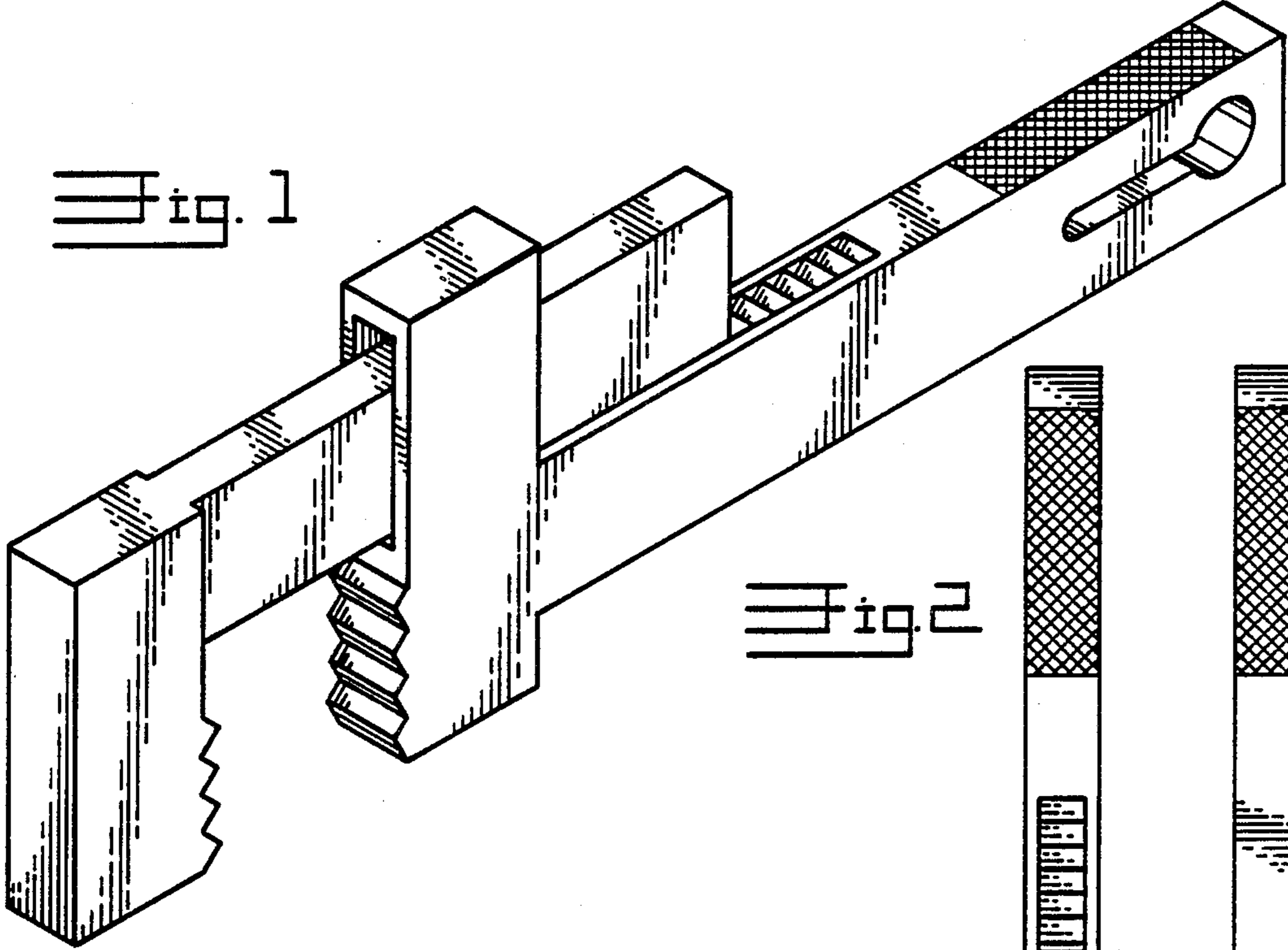


Fig. 2

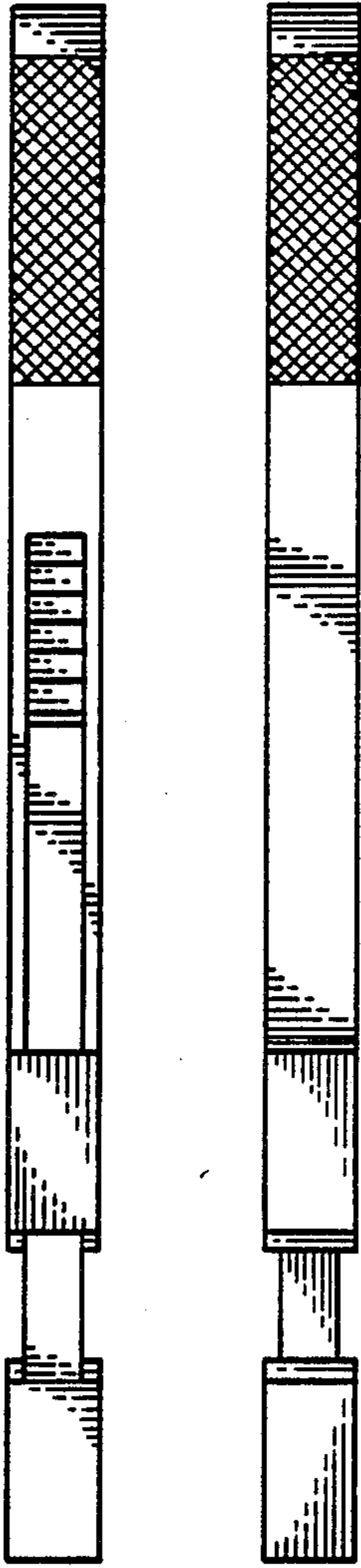


Fig. 3

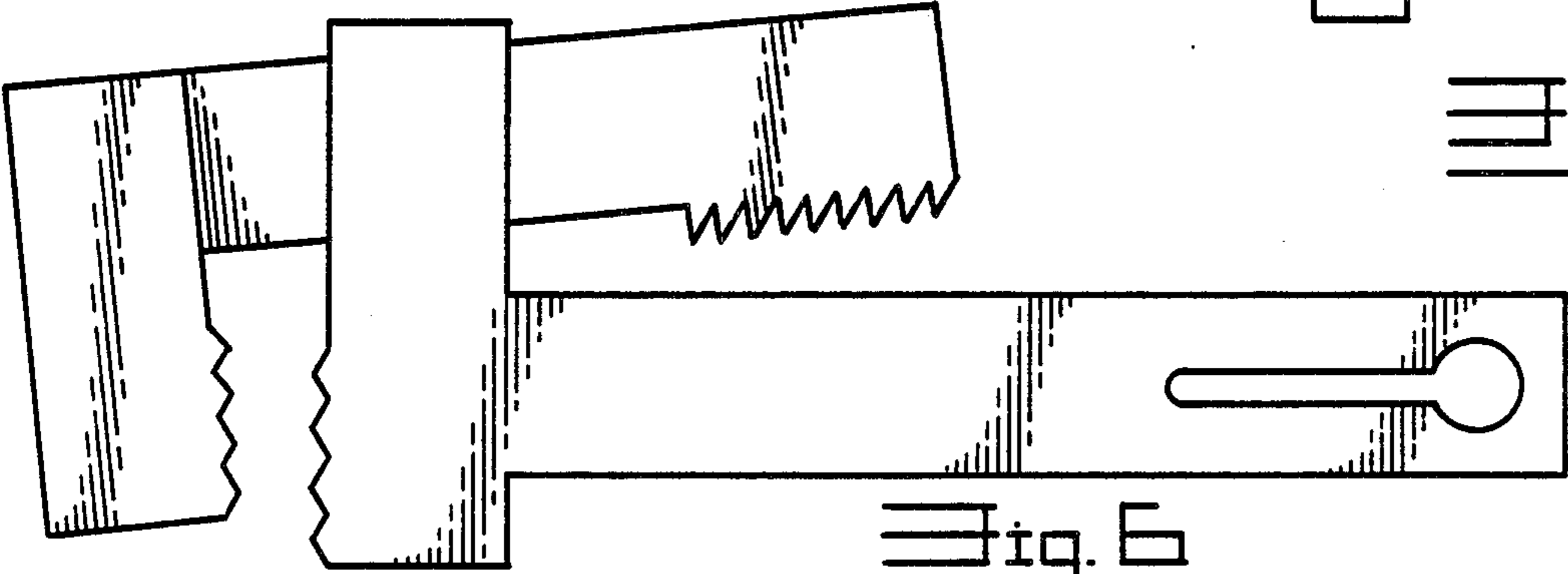


Fig. 6



Fig. 4



Fig. 5