

[54] **ADAPTOR TURNING TOOL**

[75] **Inventor: Franklin A. Robblee, Drexel Hill, Pa.**

[73] **Assignee: Universal Valve Co., Inc., Elizabeth, N.J.**

[**] **Term: 14 Years**

[21] **Appl. No.: 777,514**

[22] **Filed: Sep. 19, 1985**

[52] **U.S. Cl. D8/21**

[58] **Field of Search D8/21, 24, 29; 81/119, 81/120, 125, 124.2, 124.4, 124.6, 124.7, 176.15, 176.2**

[56] **References Cited**

U.S. PATENT DOCUMENTS

2,421,665 6/1947 Umbdenstock D8/21

Primary Examiner—James M. Gandy
Attorney, Agent, or Firm—Steele, Gould & Fried

[57] **CLAIM**

The ornamental design for an adaptor turning tool, as shown and described.

DESCRIPTION

FIG. 1 is a perspective view of an adaptor turning tool showing my new design;

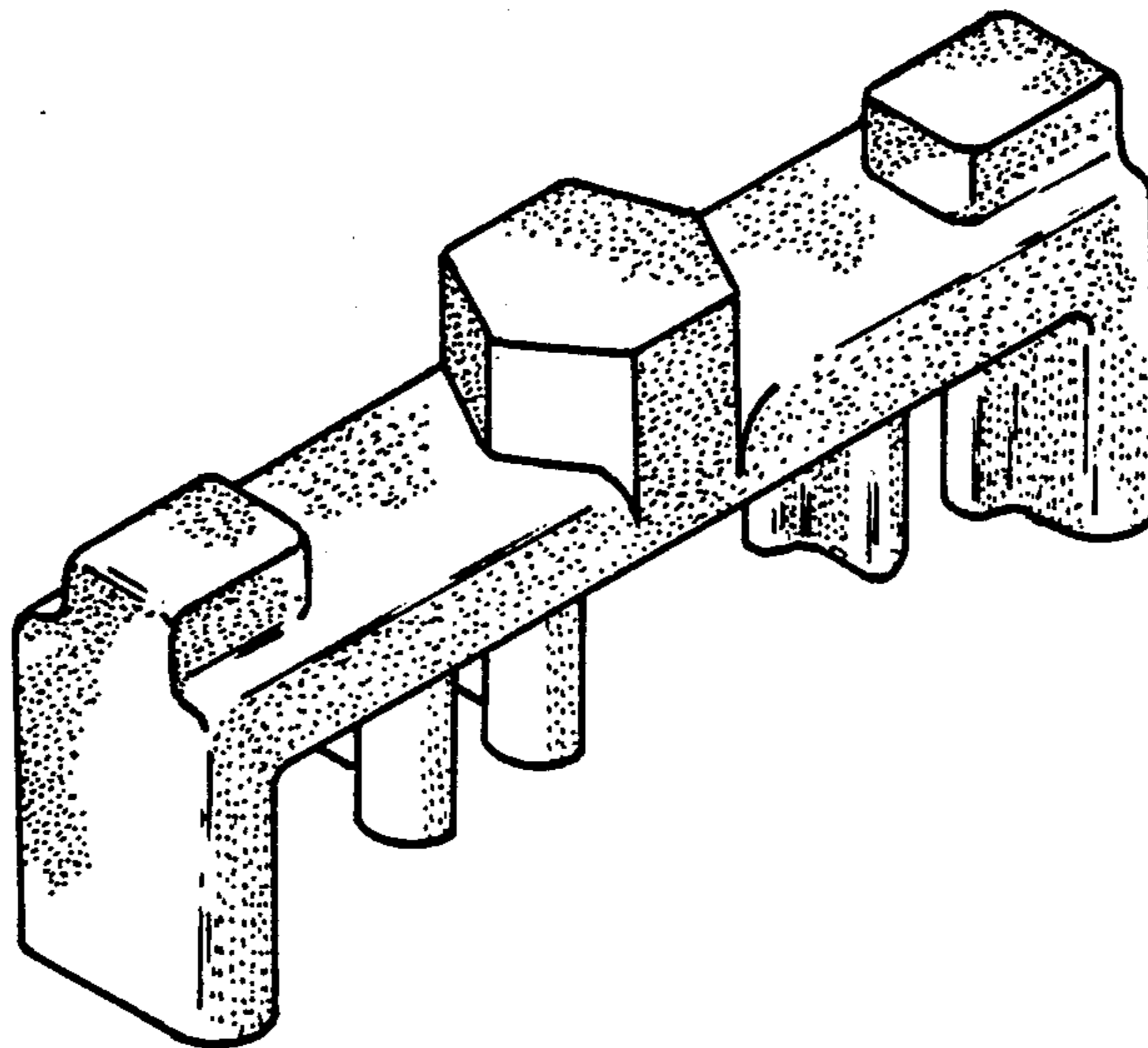
FIG. 2 is a front elevational view thereof;

FIG. 3 is a rear elevational view thereof;

FIG. 4 is a top plan view thereof;

FIG. 5 is a bottom plan view thereof; and

FIG. 6 is a left side elevational view thereof, the right side elevation being a mirror image thereof.



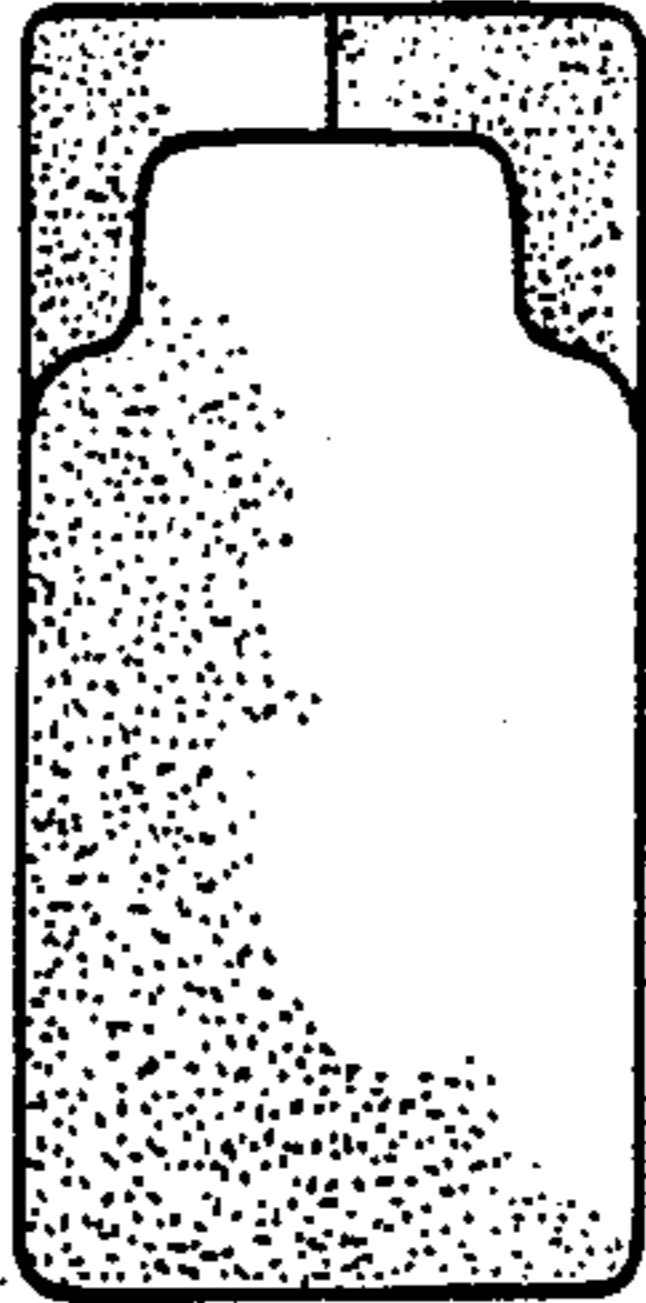
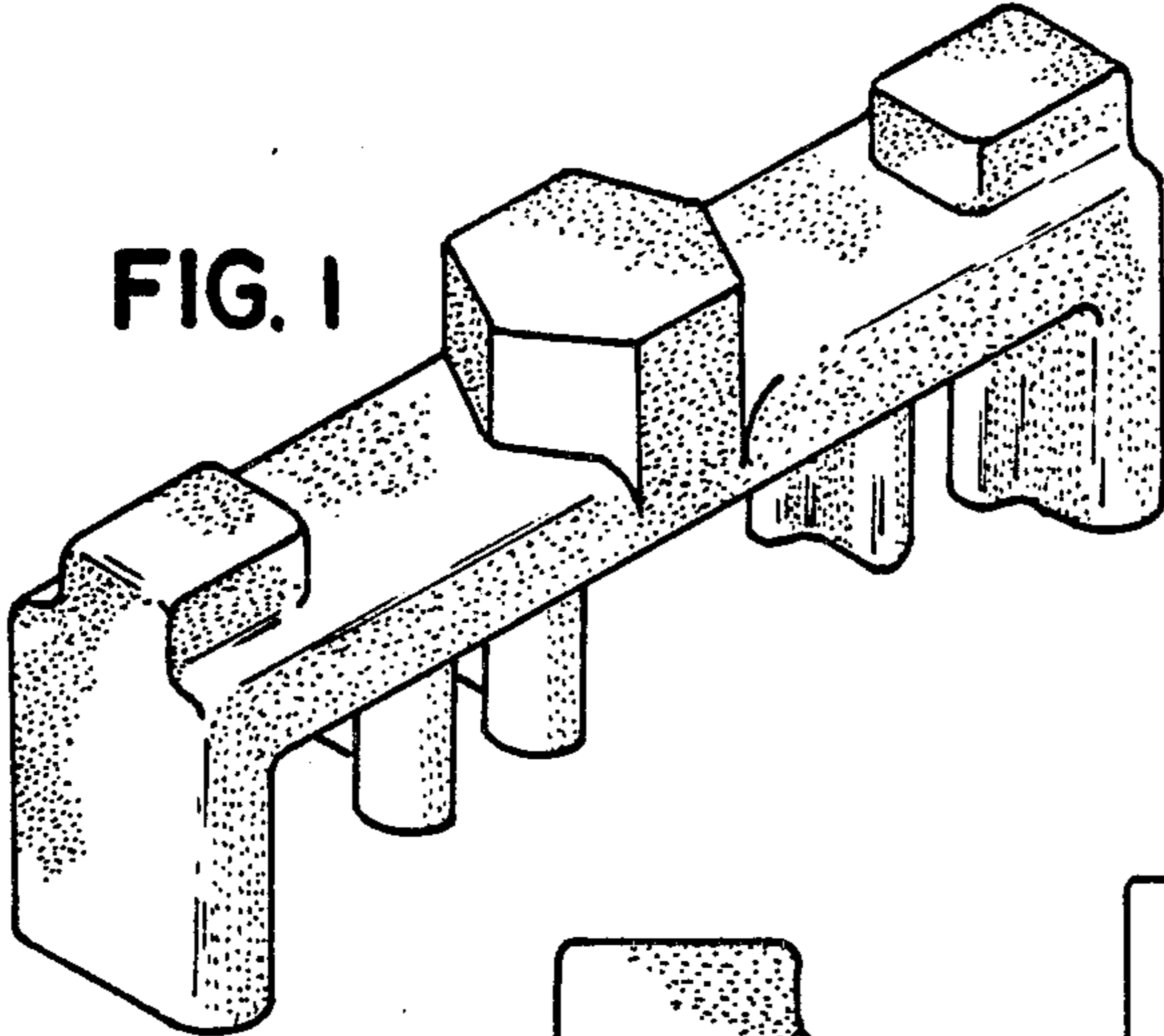


FIG. 2

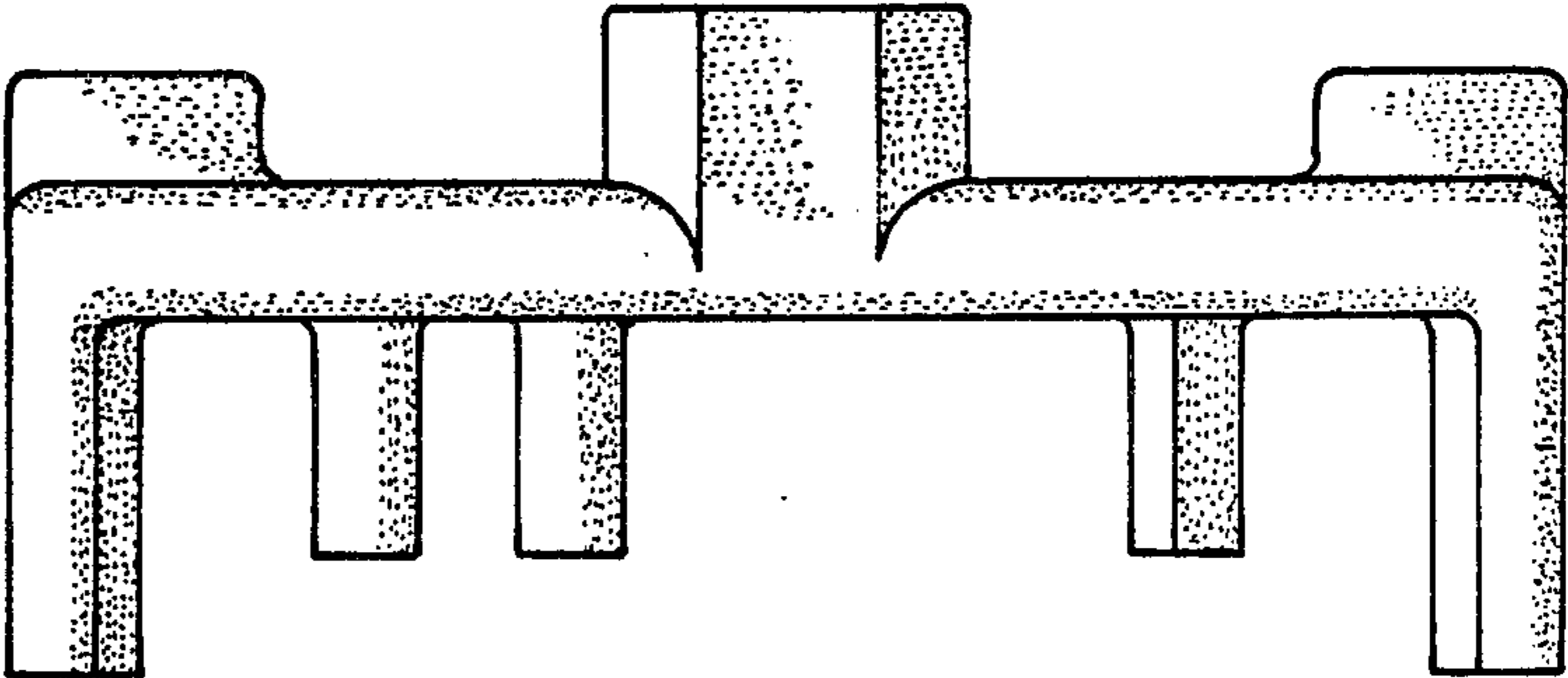


FIG. 3

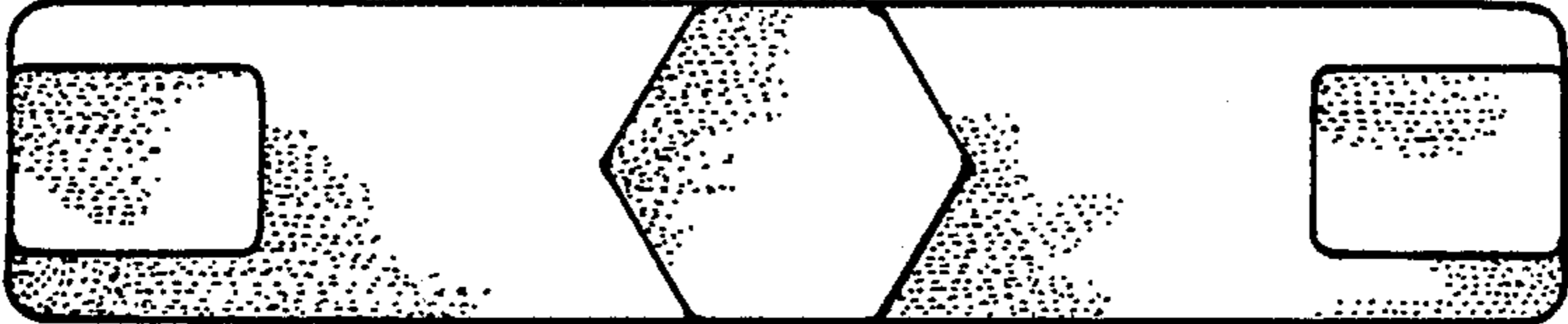
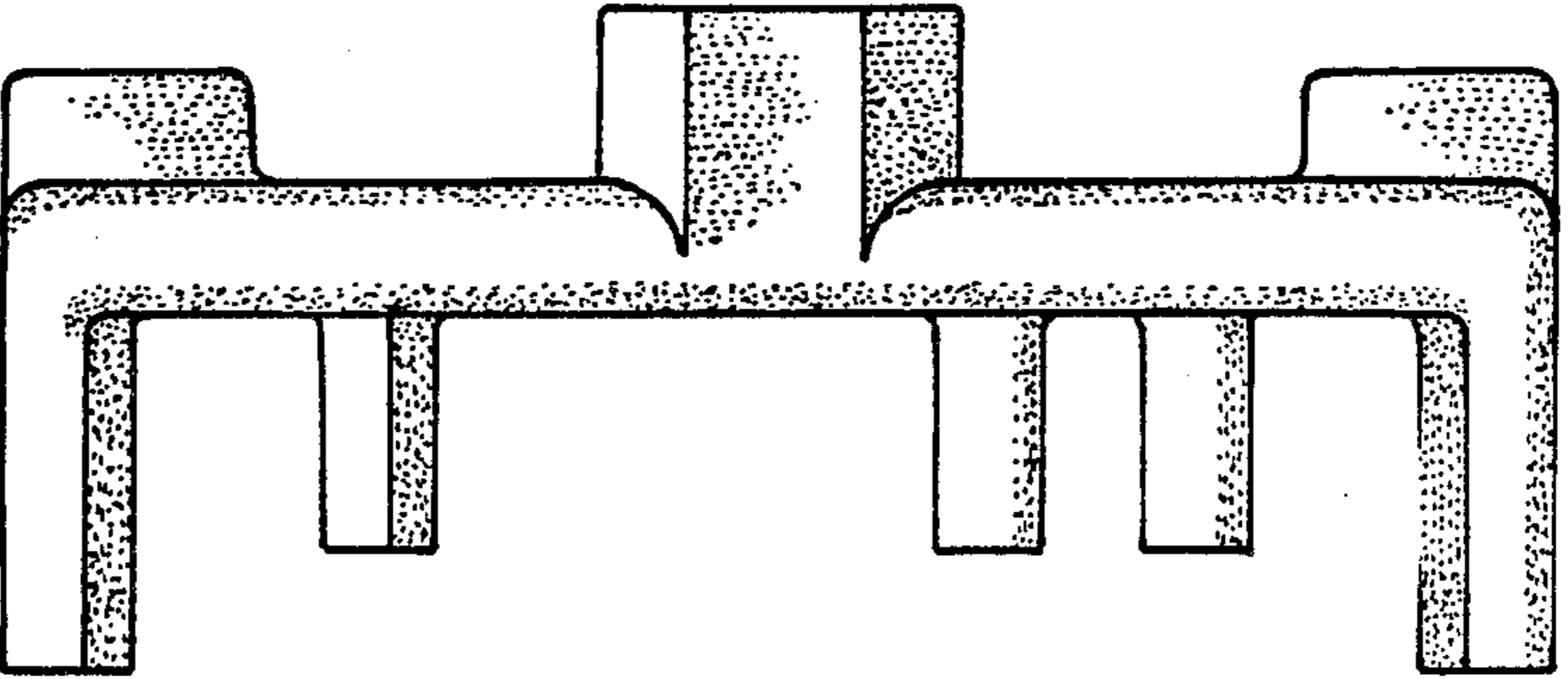


FIG. 4



FIG. 5