

[54] COMBINED RAKE AND COLLECTOR

[76] Inventor: Anthony D. Cohen, 5721 Riverview, St. Louis, Mo. 63147

[**] Term: 14 Years

[21] Appl. No.: 37,406

[22] Filed: Apr. 13, 1987

[52] U.S. Cl. D8/13; D8/1

[58] Field of Search D8/4-6, D8/13; 56/400.01, 400.04, 400.06, 400.07, 400.11, 400.12, 400.17, 400.18, 400.19; 294/52

[56] References Cited

U.S. PATENT DOCUMENTS

1,785,320	12/1930	Lorber	56/400.18
2,908,131	10/1959	Ross	56/400.04
3,105,348	10/1963	Vosbikian et al.	56/400.12
3,164,945	1/1965	Spencer	56/400.12

3,350,866 11/1967 Spencer 56/400.12

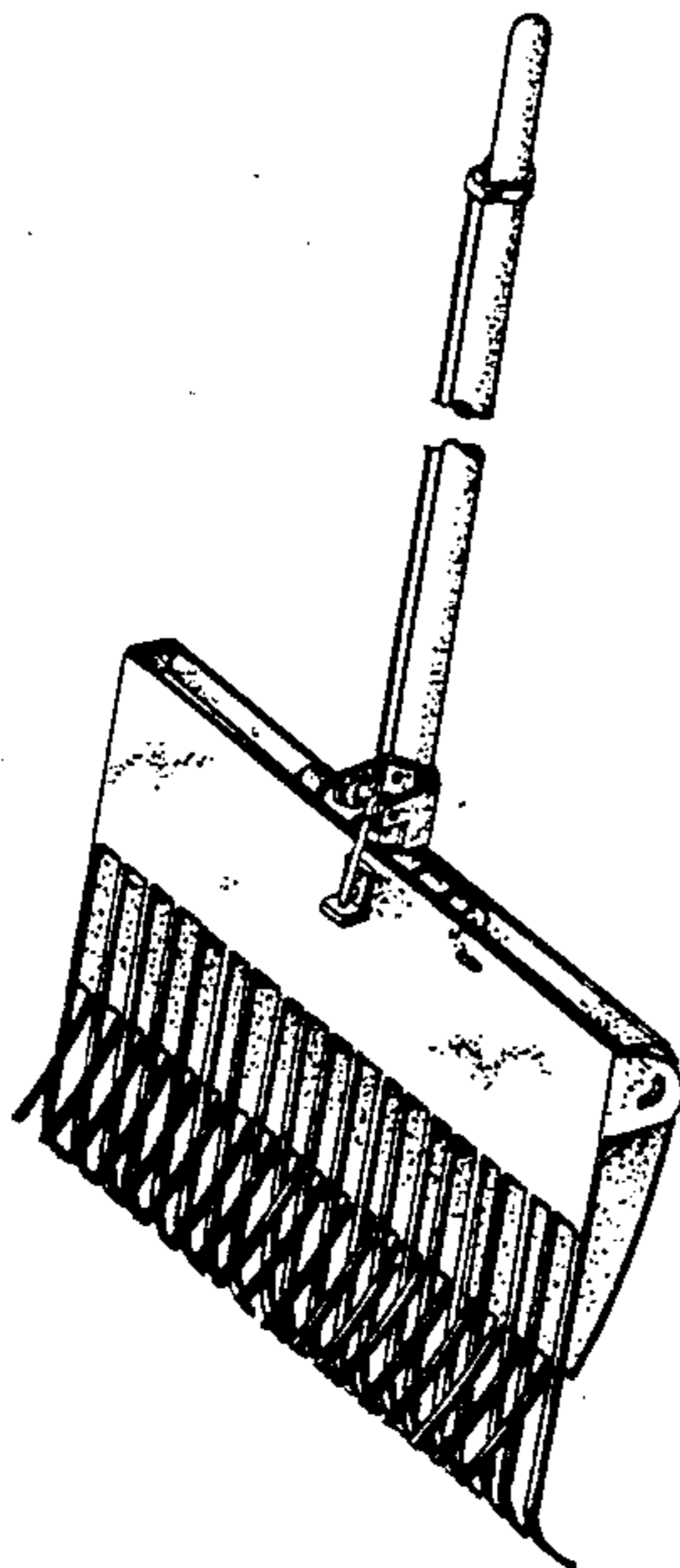
Primary Examiner—Wallace R. Burke
Assistant Examiner—Brian N. Vinson
Attorney, Agent, or Firm—Veo Peoples, Jr.

[57] CLAIM

The ornamental design for a combined rake and collector, as shown and described.

DESCRIPTION

FIG. 1 is a top, front perspective view of a combined rake and collector showing my new design; FIG. 2 is a front elevational view thereof; FIG. 3 is a side elevational view thereof, the side opposite being a mirror image; FIG. 4 is a rear elevational view thereof; FIG. 5 is a bottom plan view thereof; and FIG. 6 is a top plan view thereof. The handle portion is shown broken-away to indicate indeterminate length.



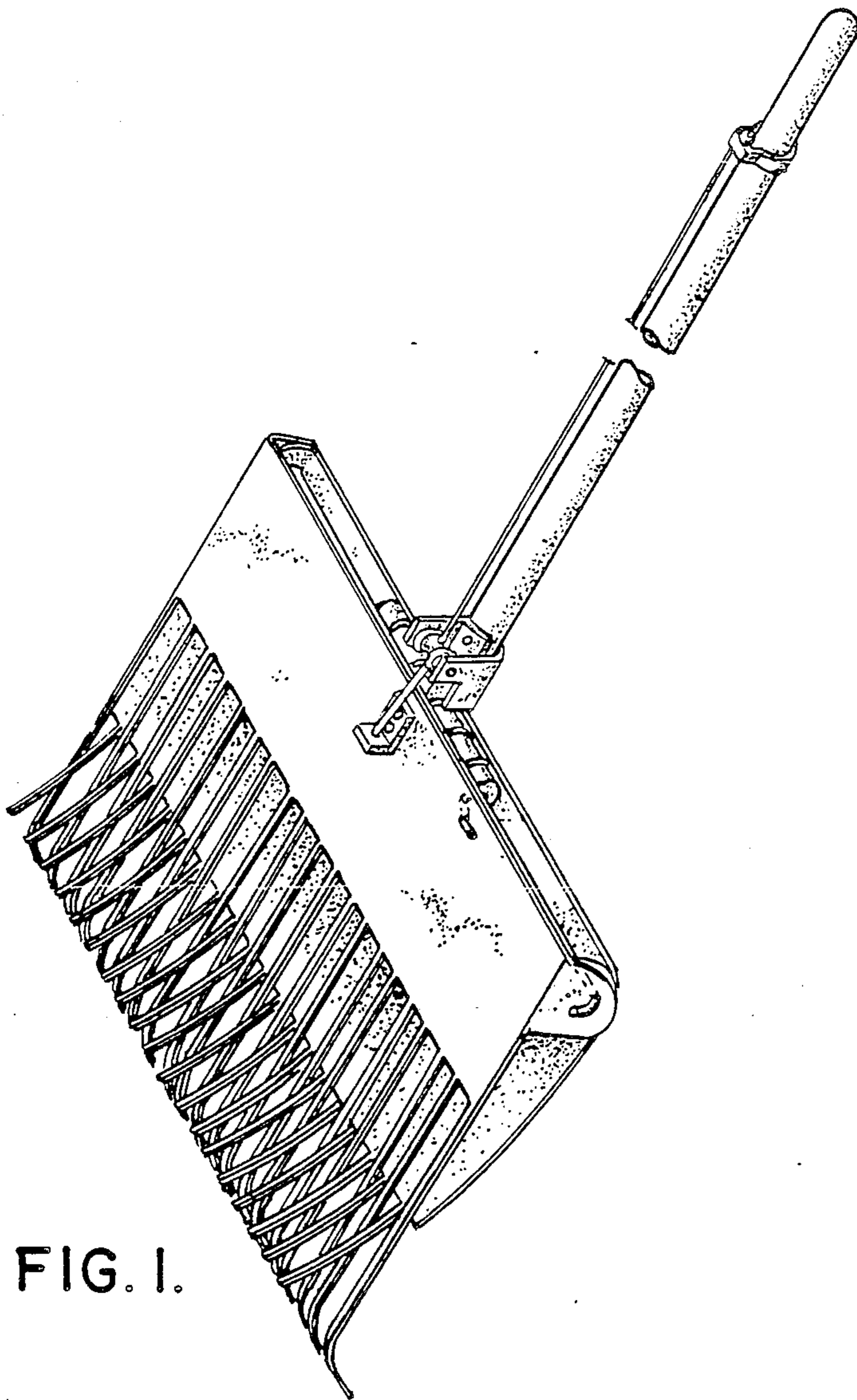


FIG. 1.

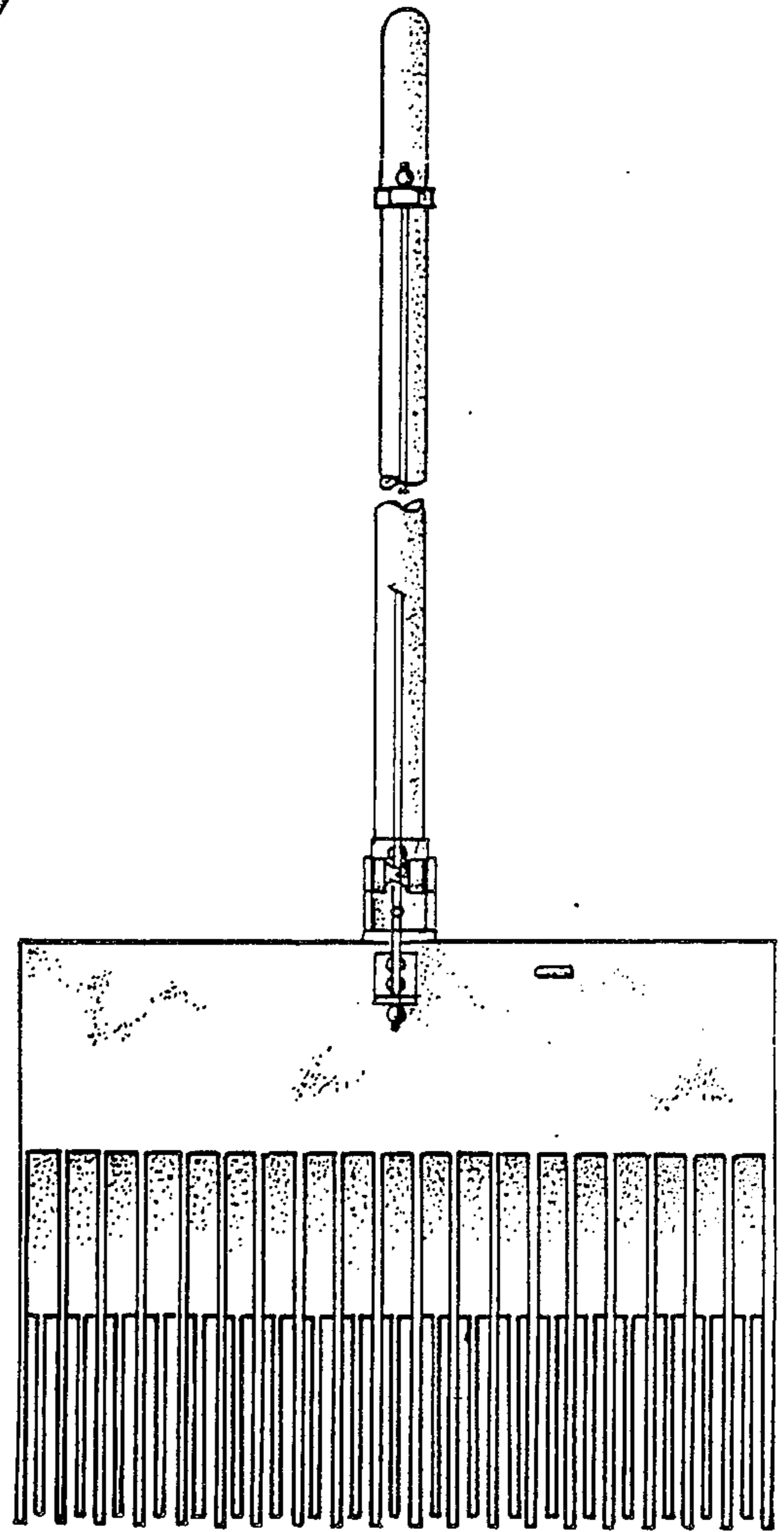


FIG. 2.

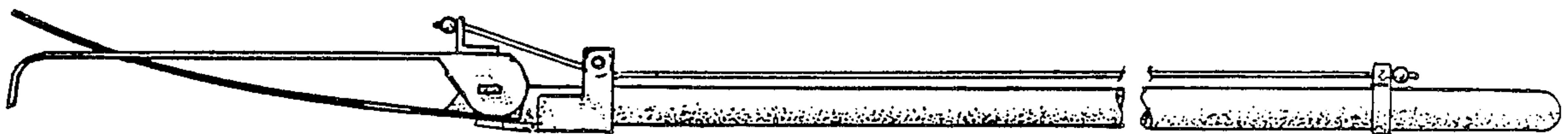


FIG. 3.

FIG. 4.

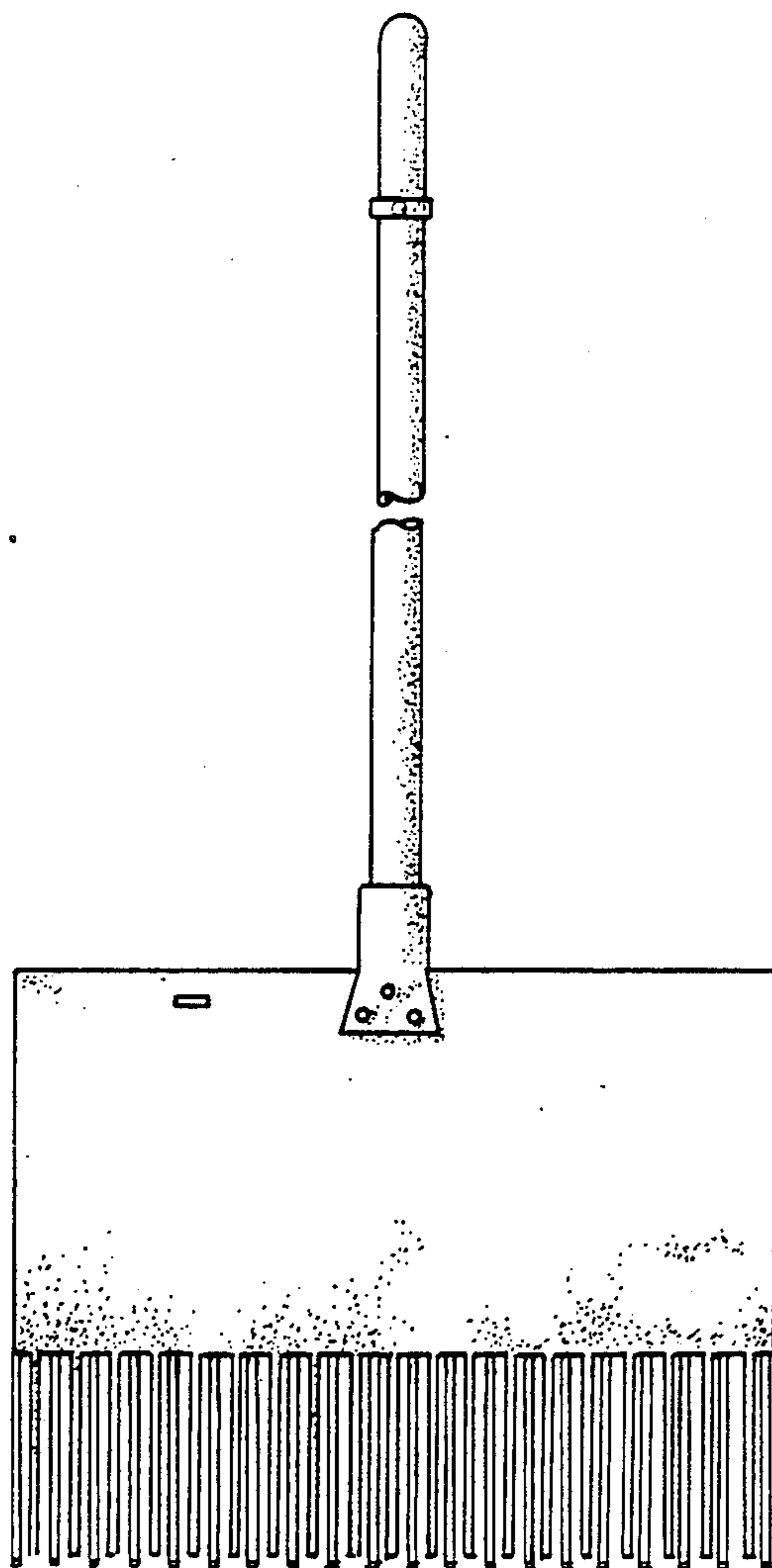


FIG. 5.

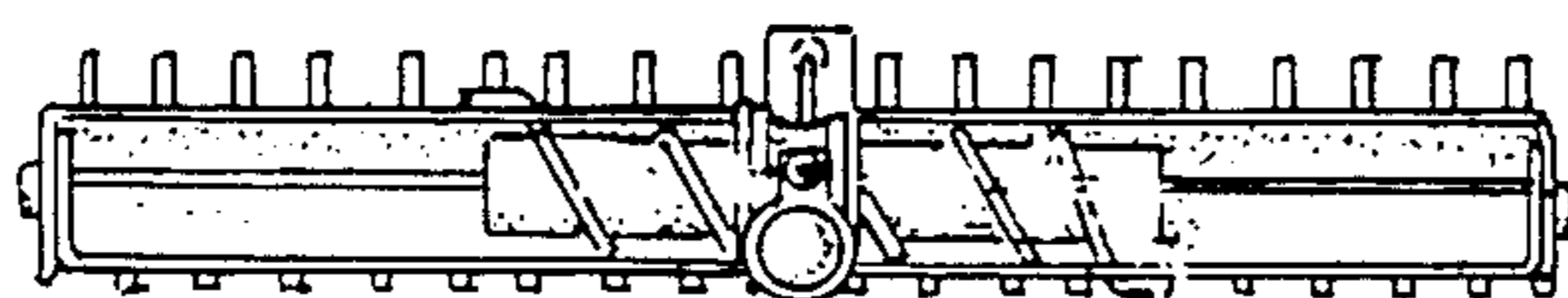


FIG. 6.