

[54] HOT PLATE

[76] Inventor: Mitsutaka Fuke, 22-22 Nagaike-Cho, Abeno-ku, Osaka 545, Japan

[**] Term: 14 Years

[21] Appl. No.: 814,194

[22] Filed: Dec. 27, 1985

[30] Foreign Application Priority Data

Jul. 4, 1985 [JP] Japan 60-28621

[52] U.S. Cl. D9/363

[58] Field of Search D7/362-363, D7/365, 366, 367, 422; 99/422, 425, DIG. 14; 219/443-444, 448, 451, 457, 458

[56] References Cited

U.S. PATENT DOCUMENTS

D. 187,835	5/1960	Lee	D7/360
D. 192,776	5/1962	Lerner	D7/363
D. 260,345	8/1981	Goodrich	D7/363
3,622,753	11/1971	Lay et al.	219/448

OTHER PUBLICATIONS

Merchandising week; vol. 107, Jan. 13, 1975, p. 22, item G.

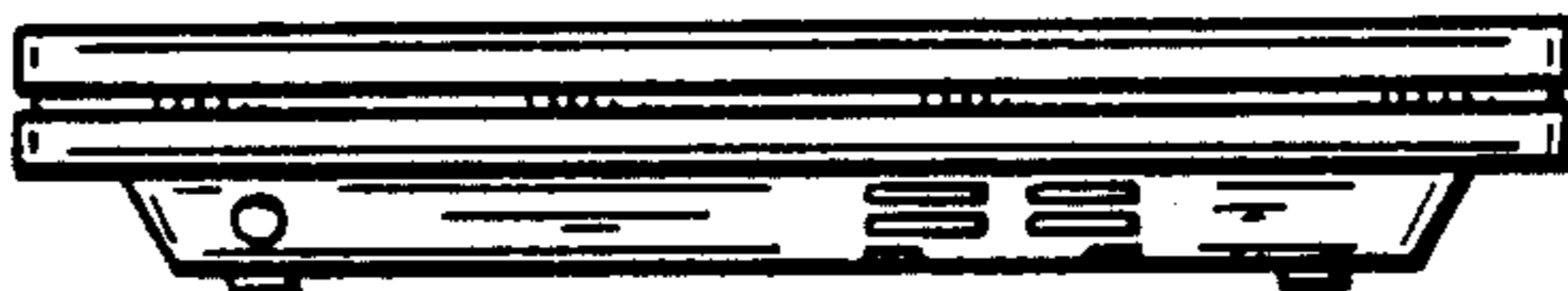
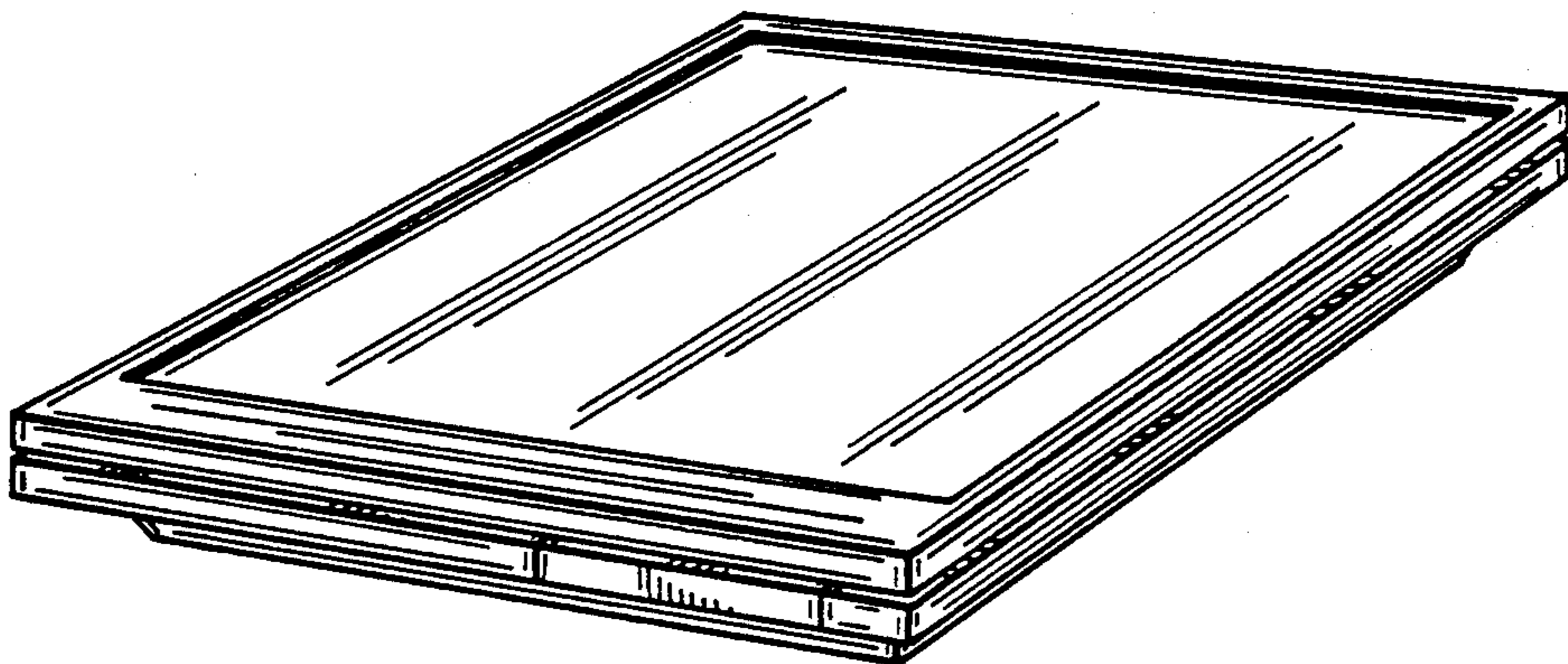
Primary Examiner—Wallace R. Burke
Assistant Examiner—Ruth Takemoto
Attorney, Agent, or Firm—Flehr, Hohbach, Test, Albritton & Herbert

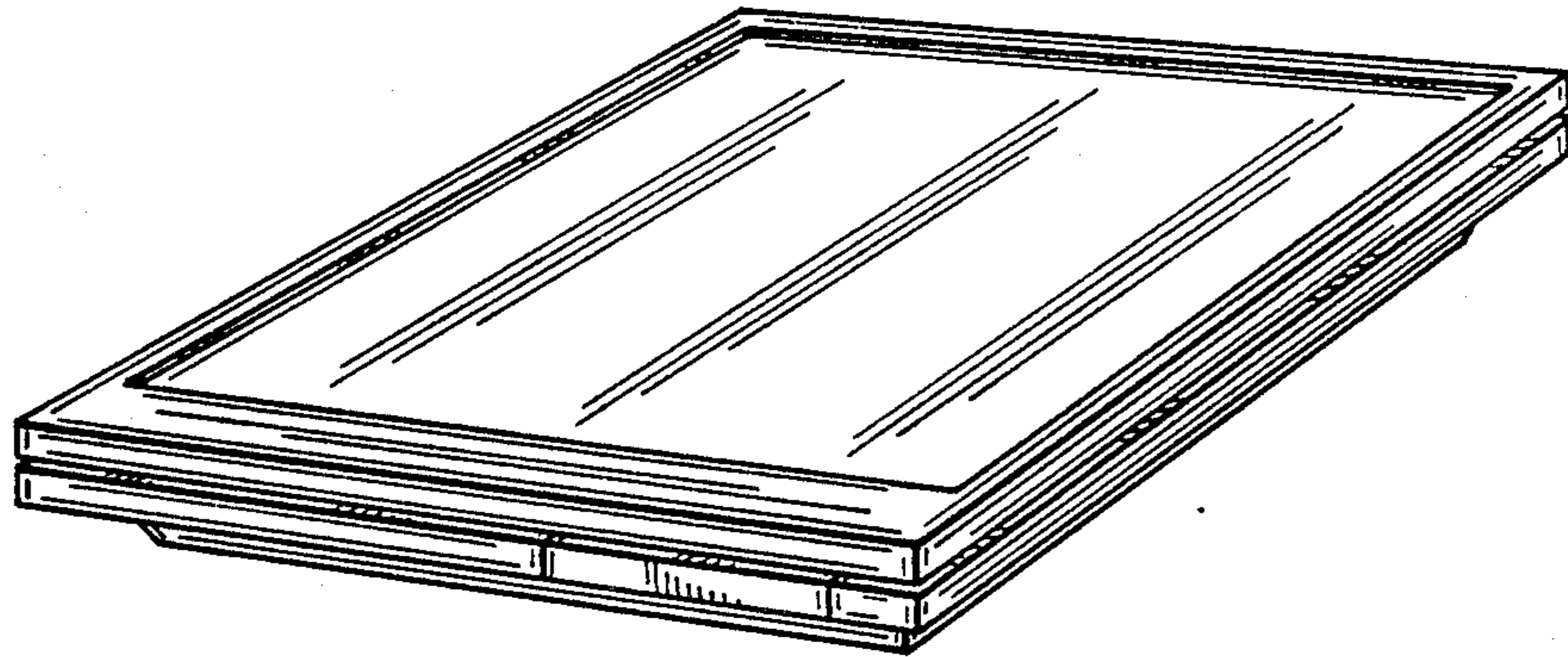
[57] CLAIM

The ornamental design for a hot plate, as shown and described.

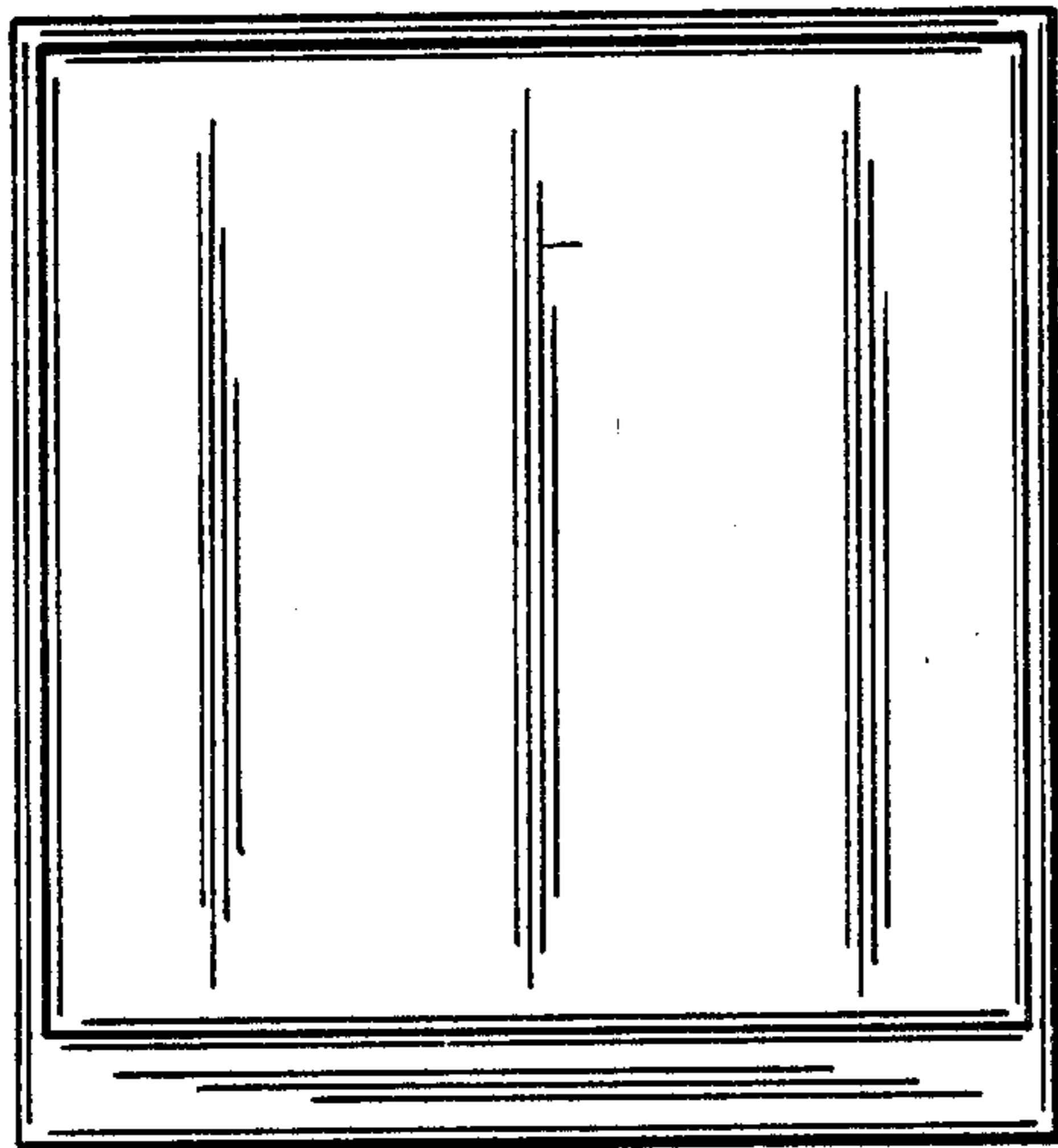
DESCRIPTION

FIG. 1 is a perspective view of the hot plate showing my new design;
FIG. 2 is a top plan view thereof;
FIG. 3 is a bottom plan view thereof;
FIG. 4 is a front elevational view thereof;
FIG. 5 is a rear elevational view thereof;
FIG. 6 is a right side elevational view thereof; and
FIG. 7 is a left side elevational view thereof.

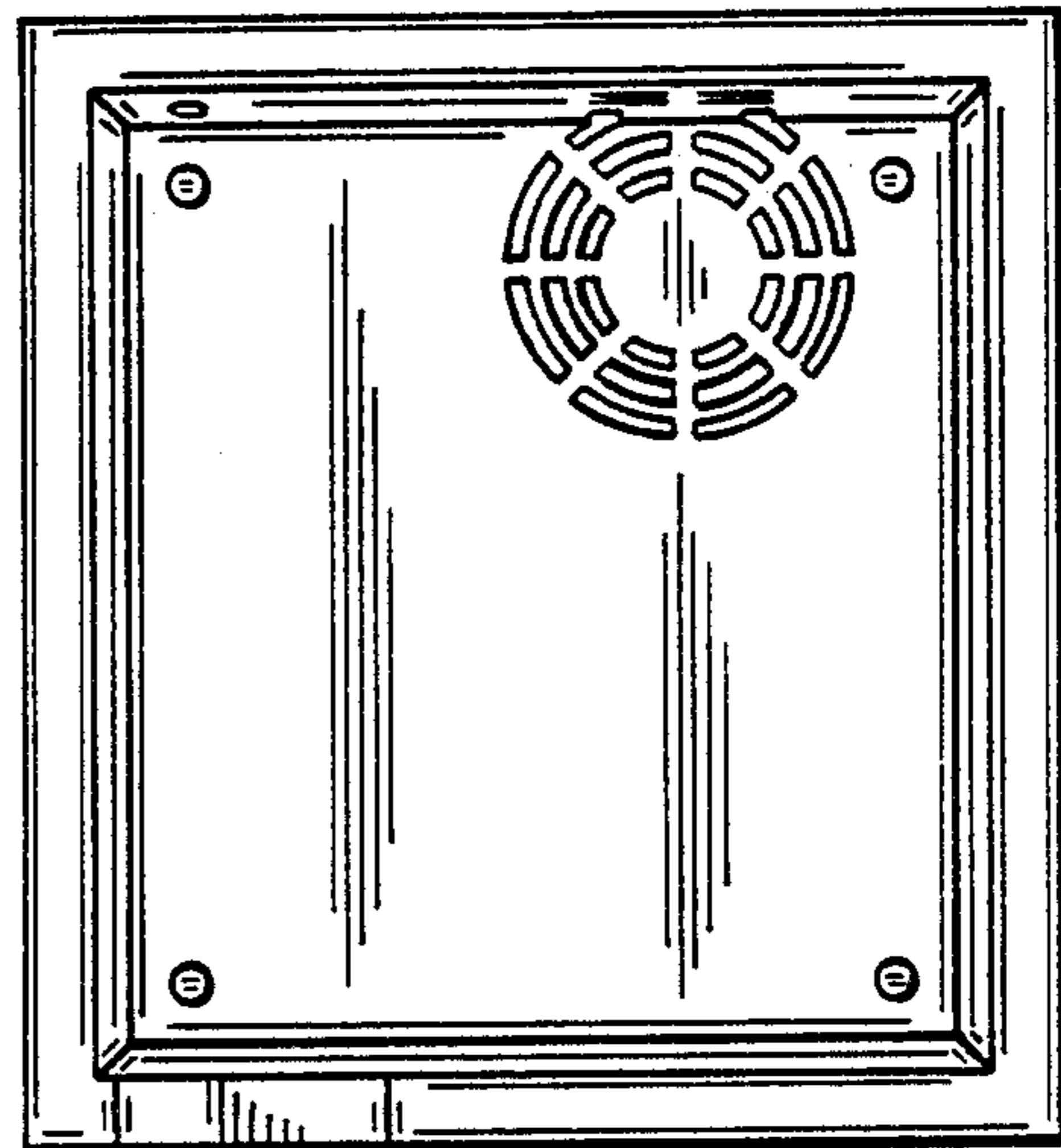




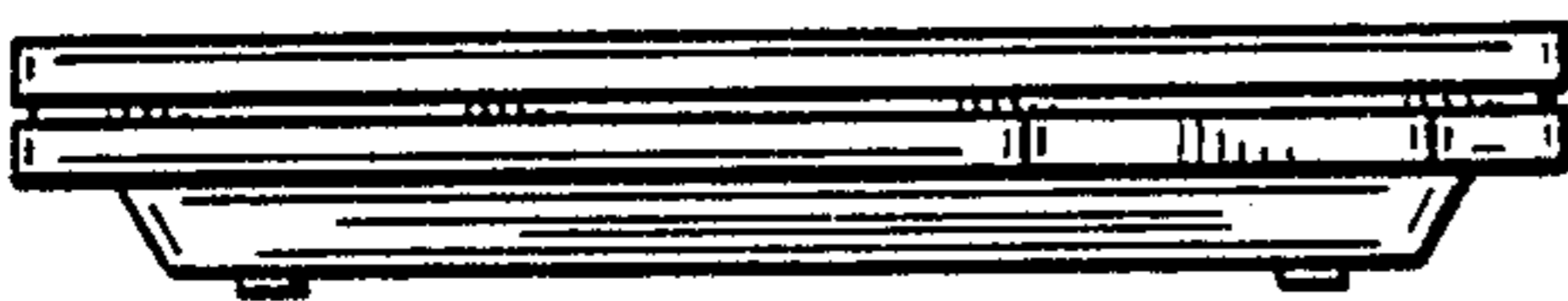
FIG_1



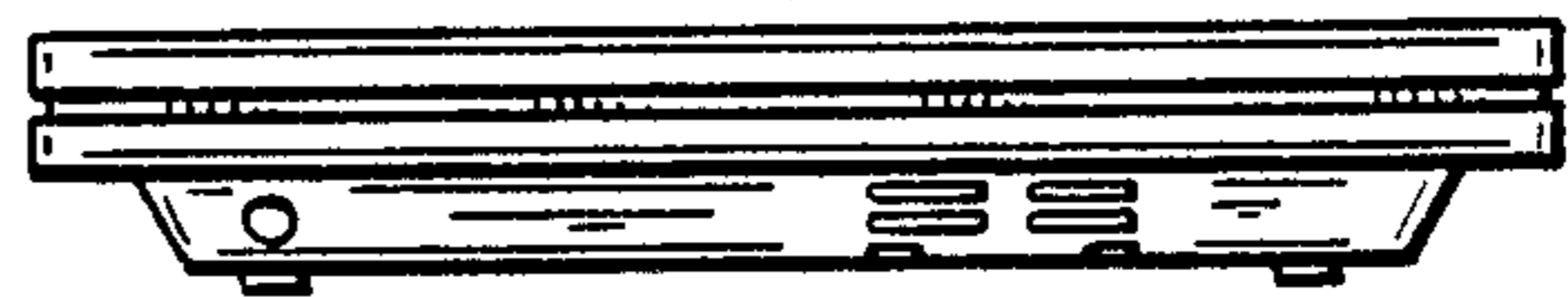
FIG_2



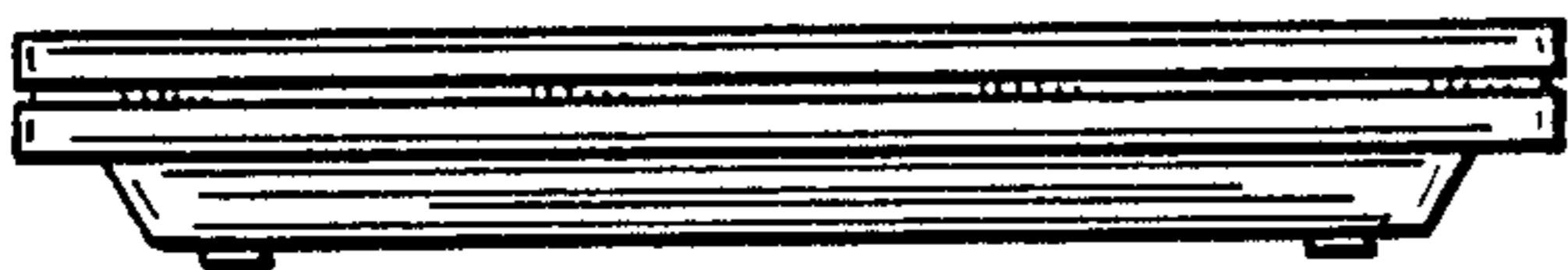
FIG_3



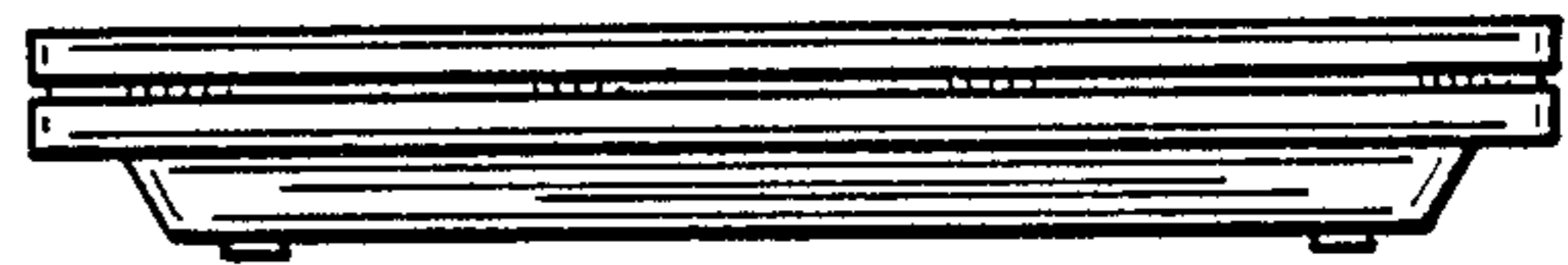
FIG_4



FIG_5



FIG_6



FIG_7