

[54] DISPLAY CABINET

[76] Inventors: Thomas Kaliski, 55 Marion La., Jericho, N.Y. 11753; Karen K. Pearse, 9 Truxton Rd., Dix Hills, N.Y. 11746; Steve Sitnick, 79 Spring Rd., Huntington, N.Y. 11743

[**] Term: 14 Years

[21] Appl. No.: 835,323

[22] Filed: Feb. 24, 1986

[52] U.S. Cl. D6/446

[58] Field of Search D6/432, 441, 445, 476, D6/446, 449, 448, 479; D7/38; 312/118, 126, 330 R, 253; 211/45

[56] References Cited

U.S. PATENT DOCUMENTS

D. 60,998	5/1922	Rand, Jr.	D6/446
D. 252,397	7/1979	Cousins et al.	D6/441 X
D. 254,883	5/1980	Jorda-Segui	D6/445
D. 254,887	5/1980	Jorda-Segui	D6/479
D. 274,489	7/1984	DeVries et al.	D6/476
D. 286,714	11/1986	Verholt	D6/446

1,619,900	3/1927	Warren	211/45
4,129,347	12/1978	Godtschalck	312/330 R
4,531,645	7/1985	Tisbo et al.	312/126 X
4,669,790	6/1987	Briggs	D6/432 X

Primary Examiner—Carmen H. Vales

[57] CLAIM

The ornamental design for a display cabinet, as shown and described.

DESCRIPTION

FIG. 1 is a perspective view of a display cabinet showing our new design with the top tray extended for convenience of illustration;

FIG. 2 is a top plan view thereof;

FIG. 3 is a front elevational view thereof;

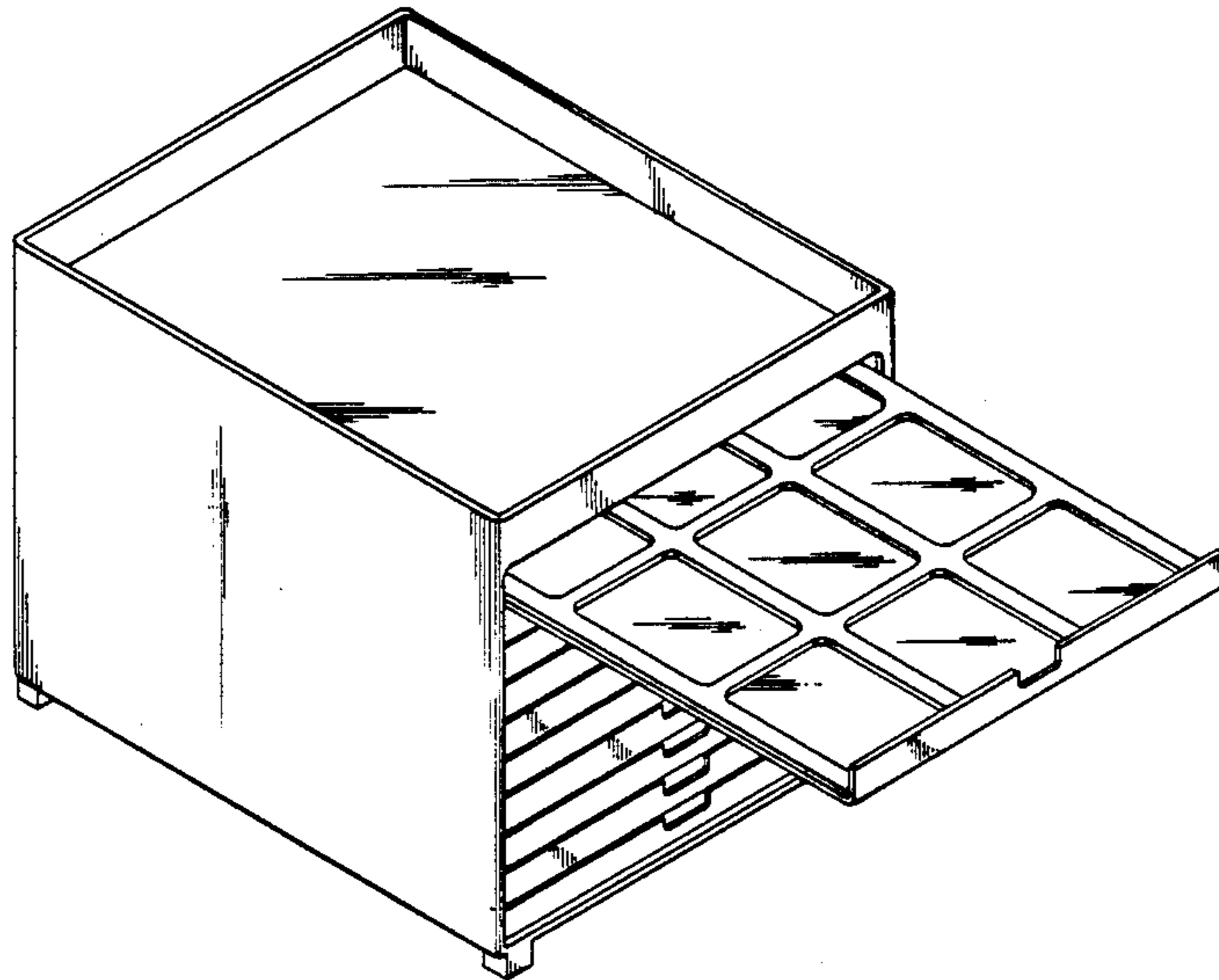
FIG. 4 is a bottom plan view thereof;

FIG. 5 is a left side elevational view, the right side being identical thereto;

FIG. 6 is a rear elevational view thereof;

FIG. 7 is an enlarged sectional view taken along line 7—7 of FIG. 3; and

FIG. 8 is an enlarged scale cross-sectional view taken along line 8—8 of FIG. 3.



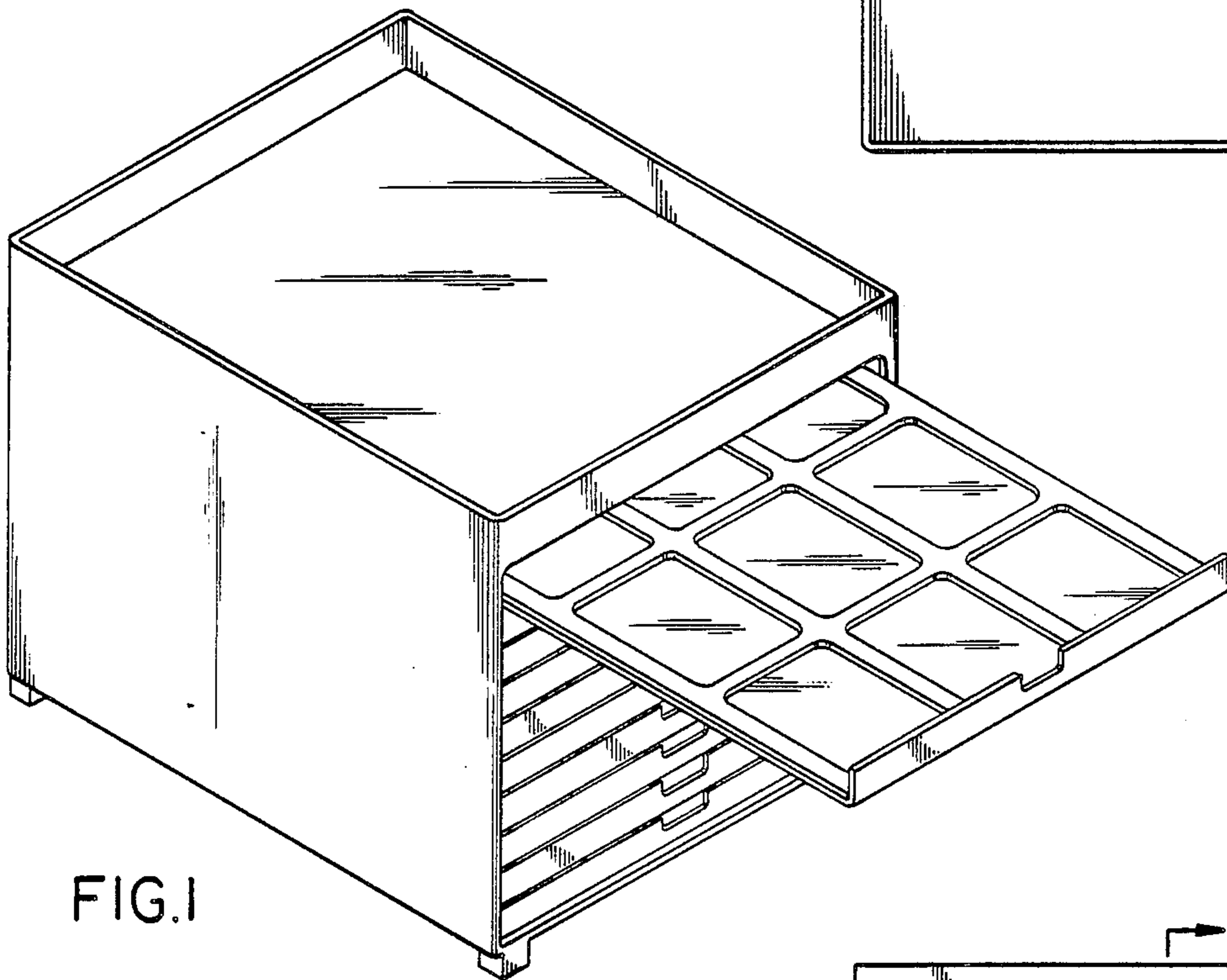


FIG. 1

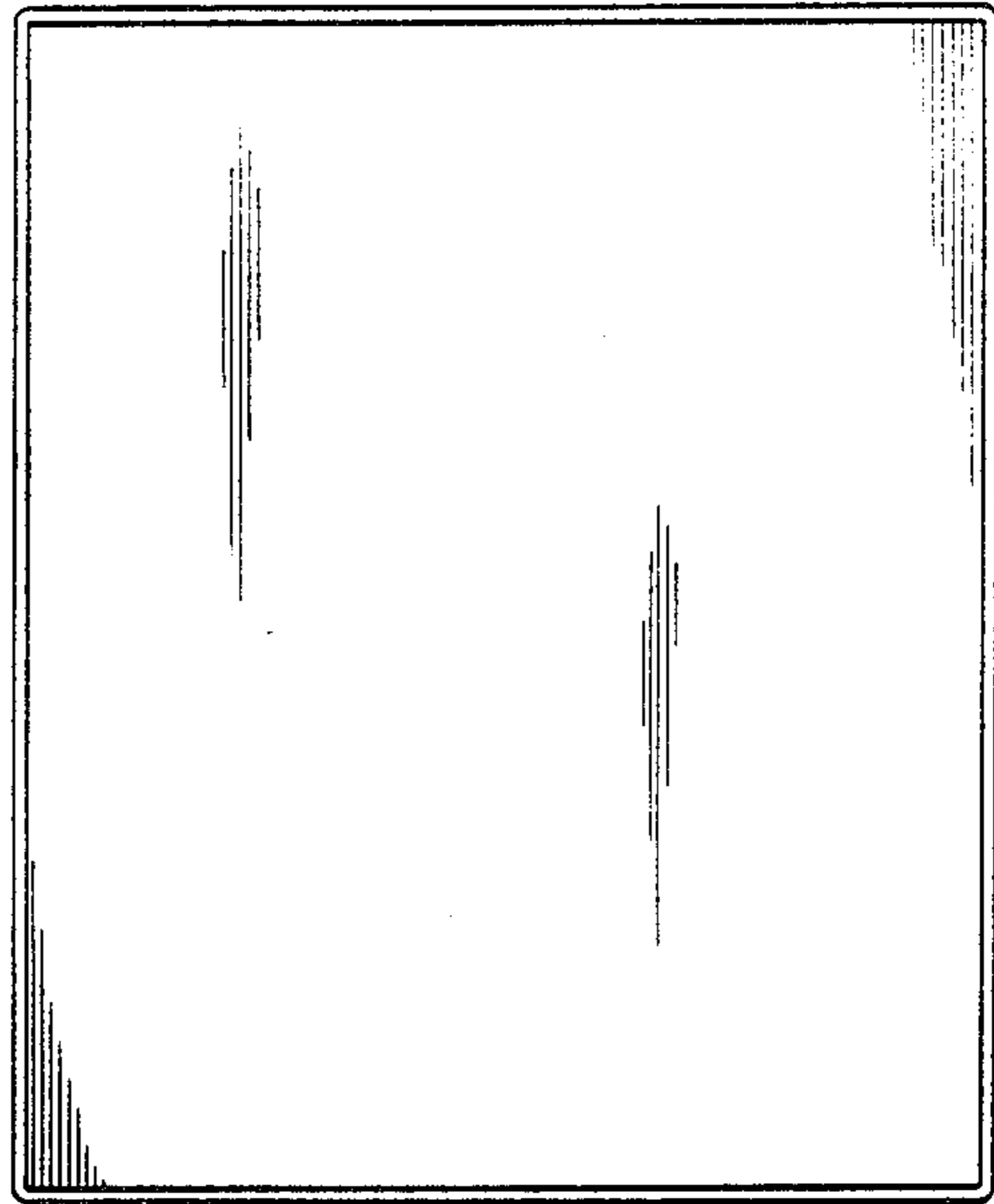


FIG. 2

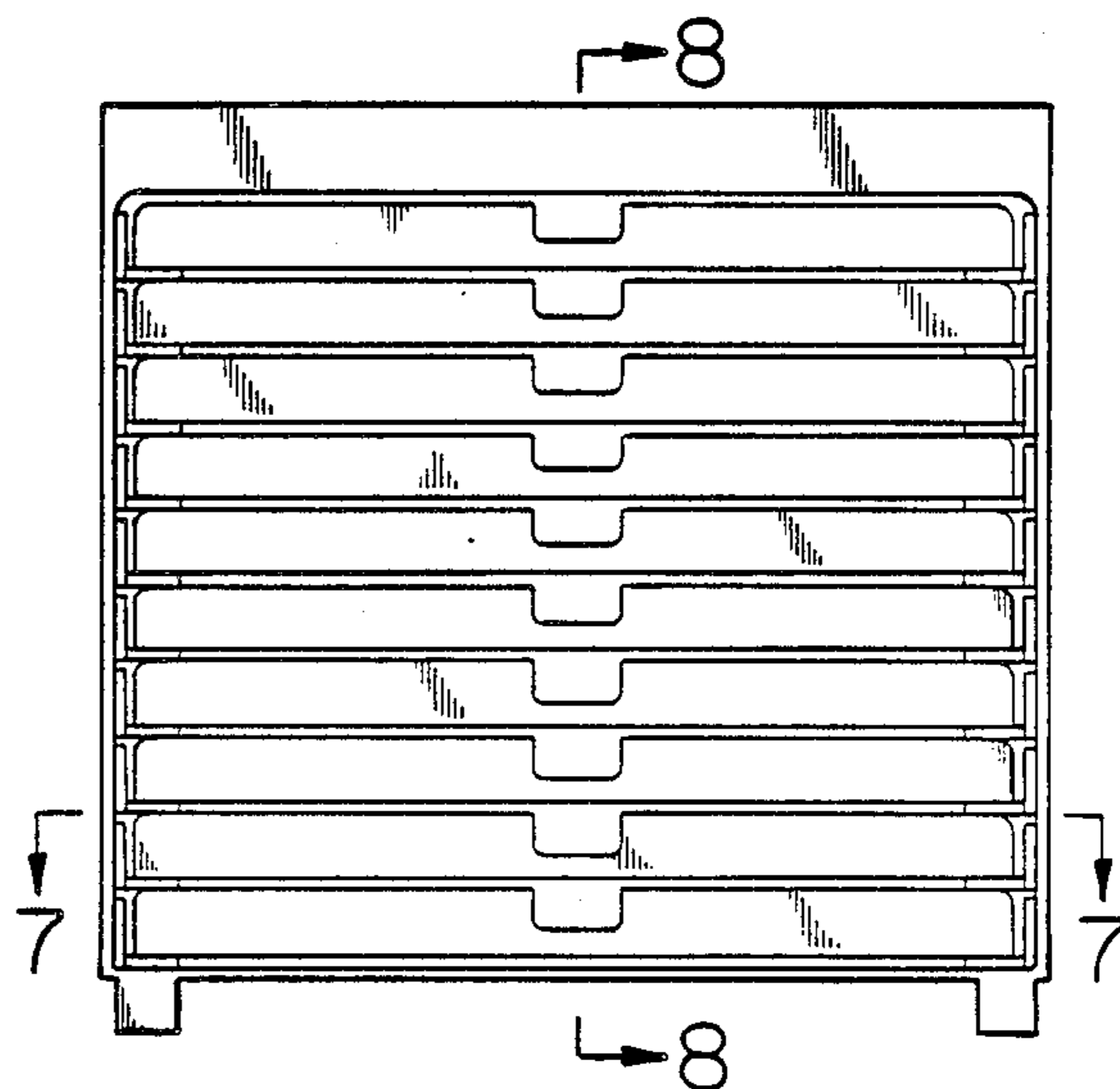


FIG. 3

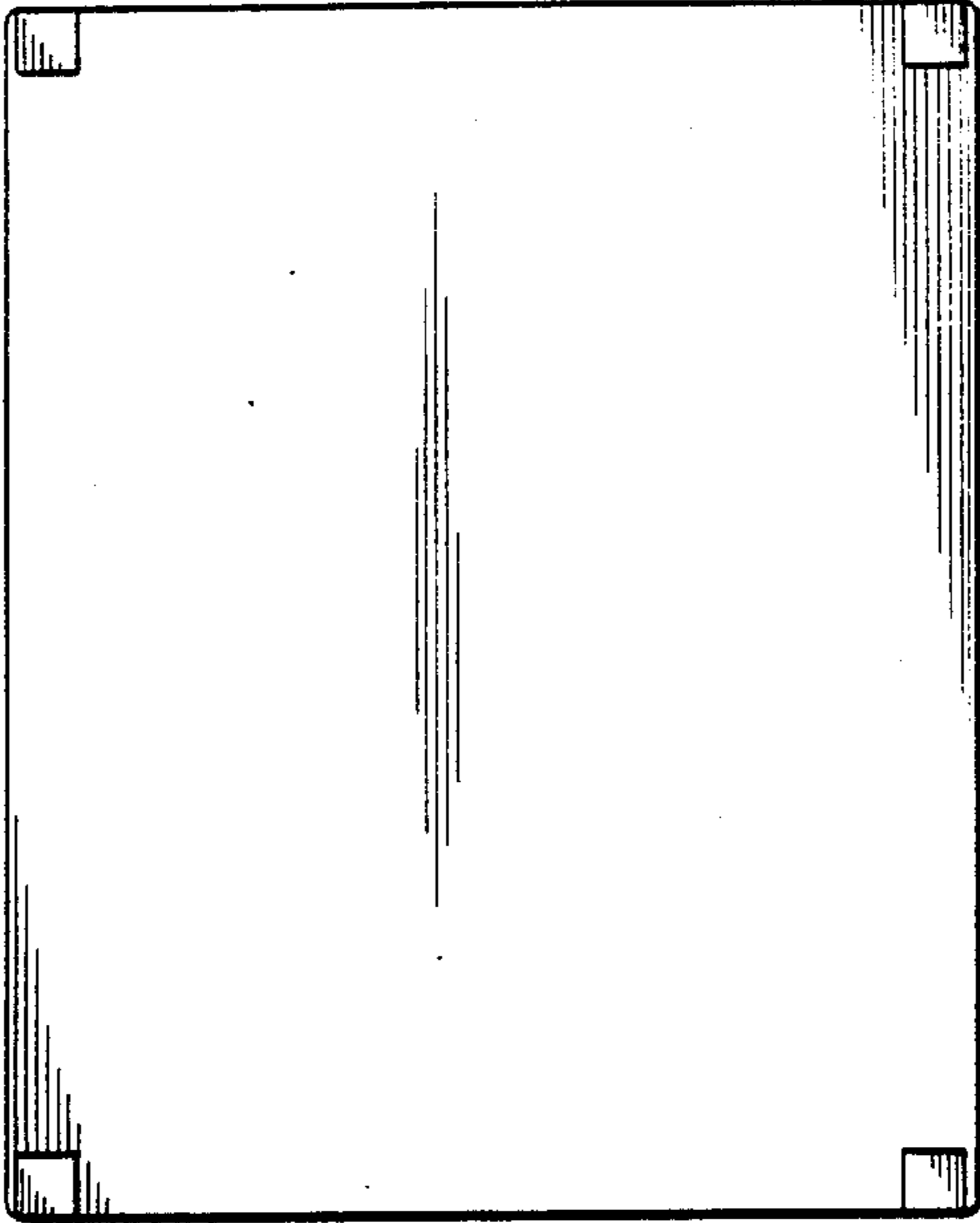


FIG. 4

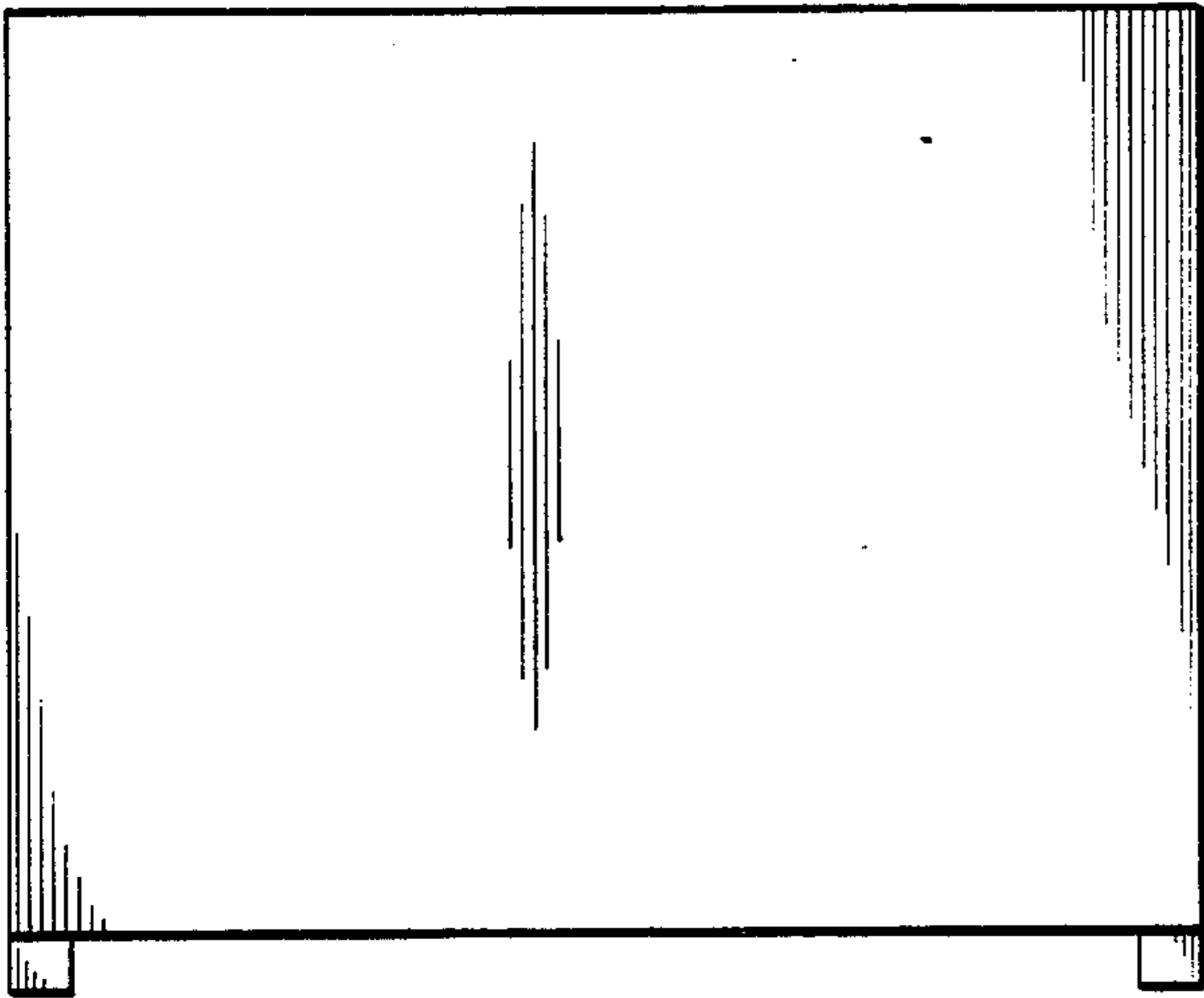


FIG. 5



FIG. 6

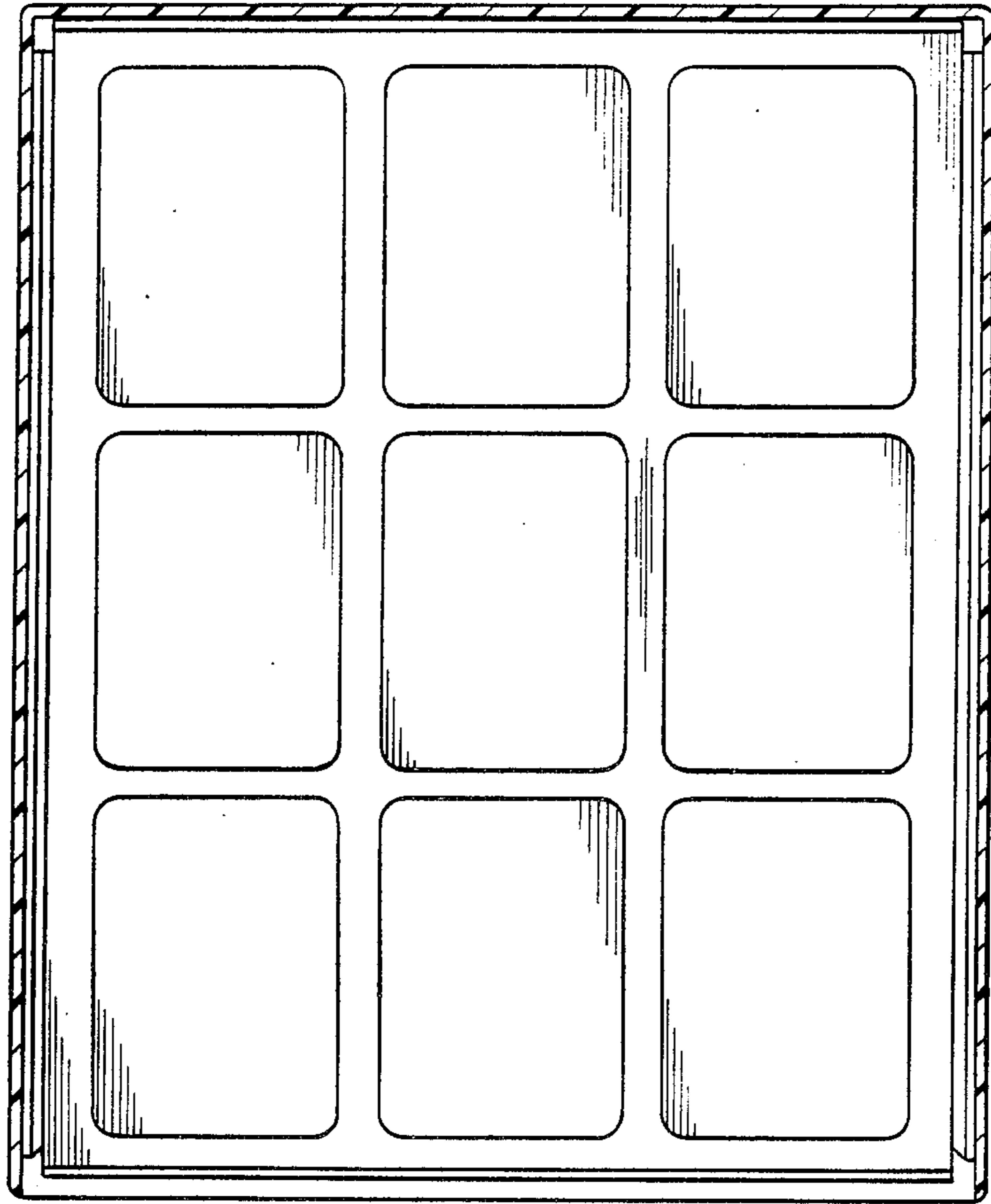


FIG. 7

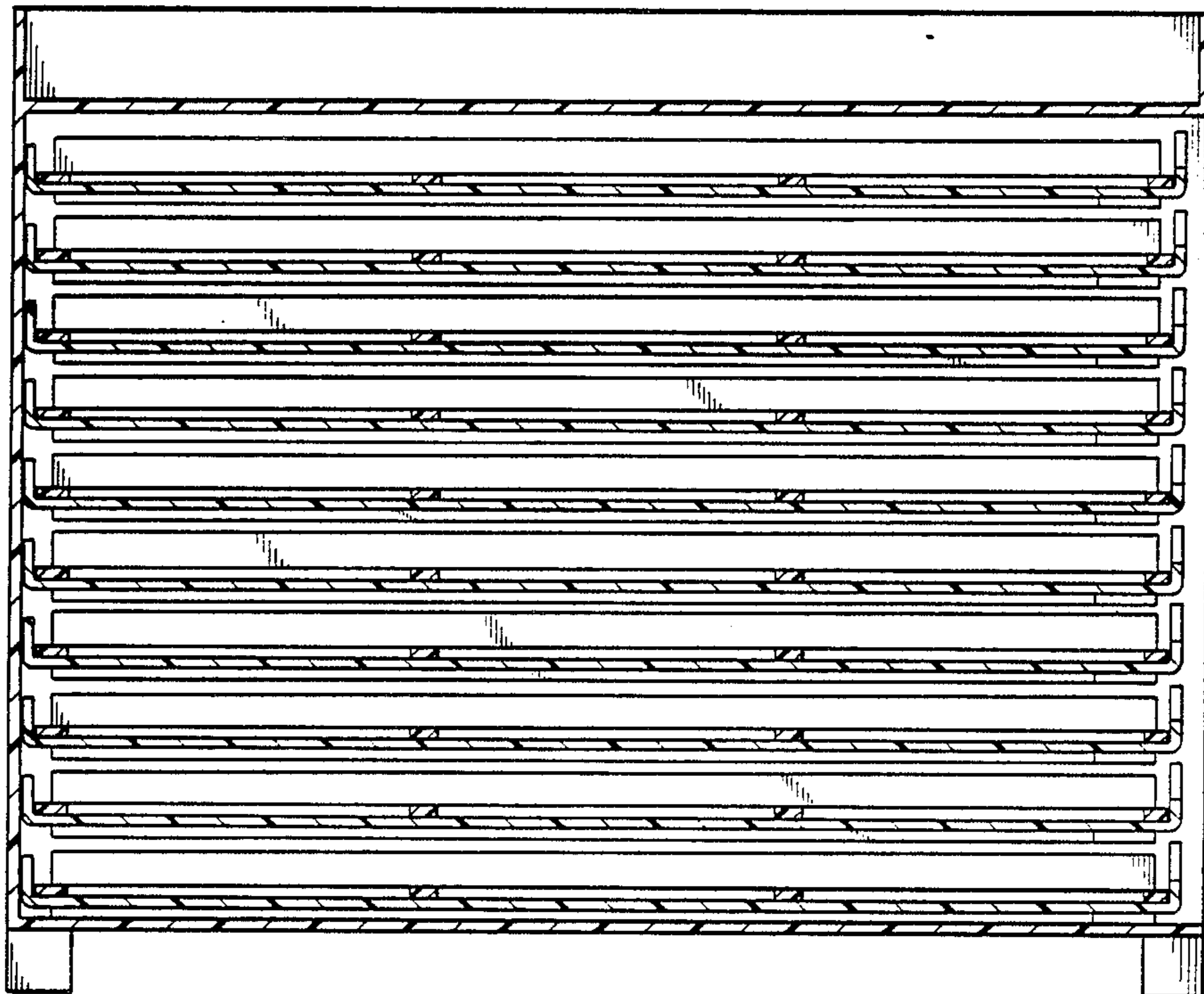


FIG. 8