

[54] MERCHANDISE DISPLAY RACK

[75] Inventors: Ted A. Bell; Gordon N. Mawhinney, both of Coshocton, Ohio

[73] Assignee: Pretty Products, Inc., Coshocton, Ohio

[**] Term: 14 Years

[21] Appl. No.: 752,126

[22] Filed: Jul. 5, 1985

[52] U.S. Cl. D6/462

[58] Field of Search D6/449, 462; 211/60.1, 211/13

[56] References Cited

U.S. PATENT DOCUMENTS

2,966,991	1/1961	Duffner	211/60.1
3,385,451	5/1968	Anderson	211/60.1
3,946,876	3/1976	Jay	211/60.1
4,029,078	6/1977	Eller	211/60.1
4,247,009	1/1981	Vaurigaud	211/60.1
4,333,574	6/1982	Christy, Sr.	211/60.1

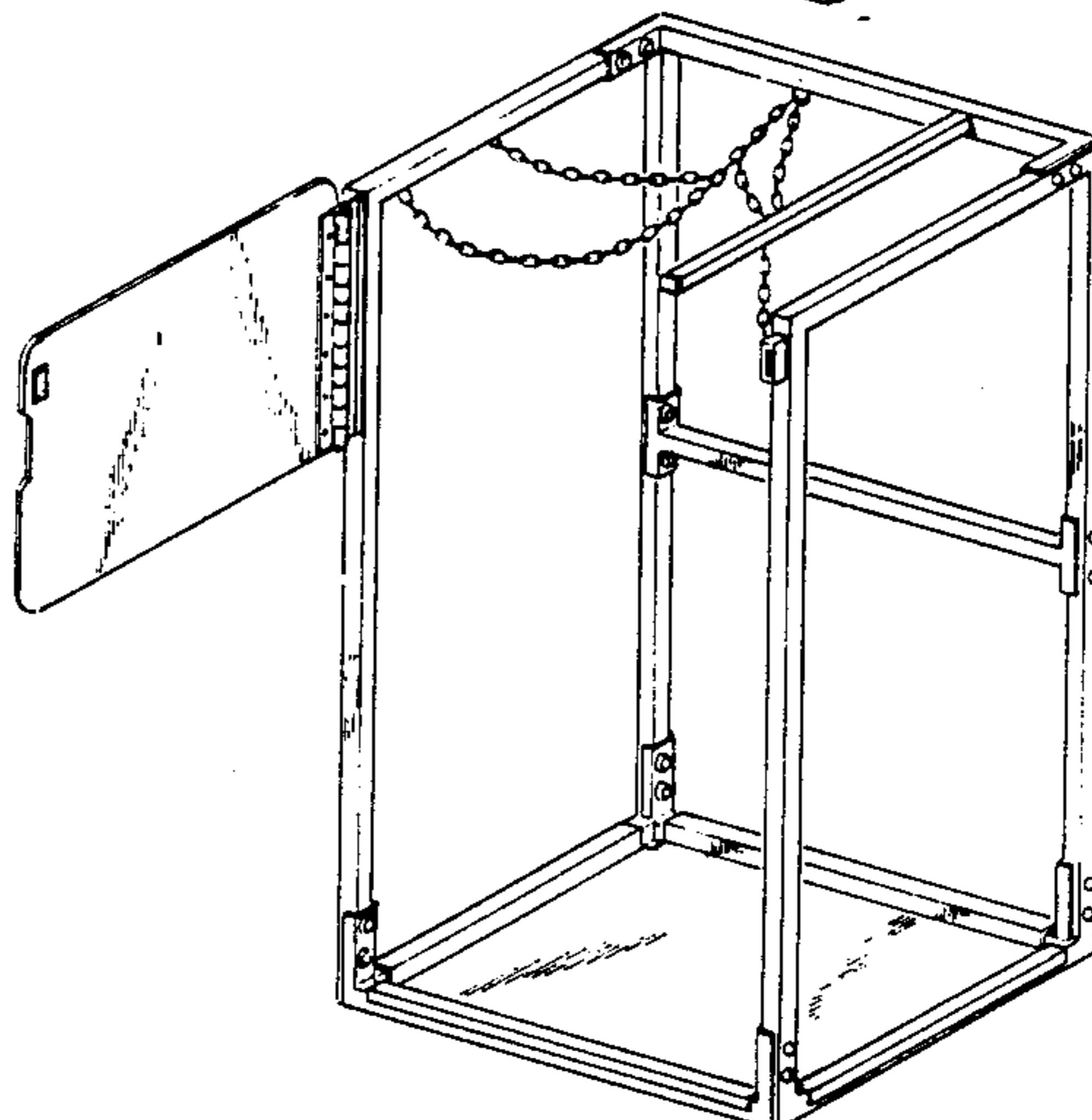
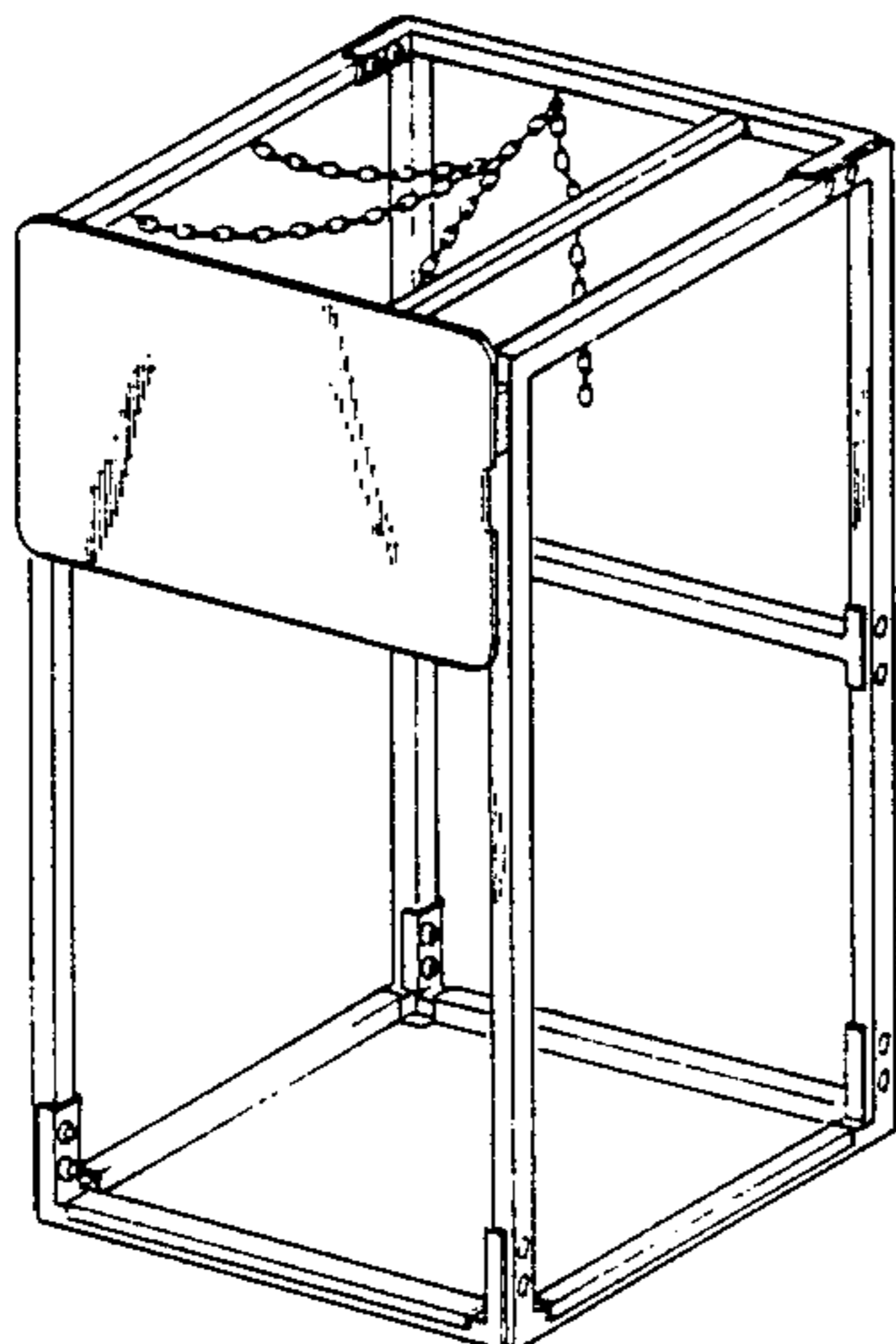
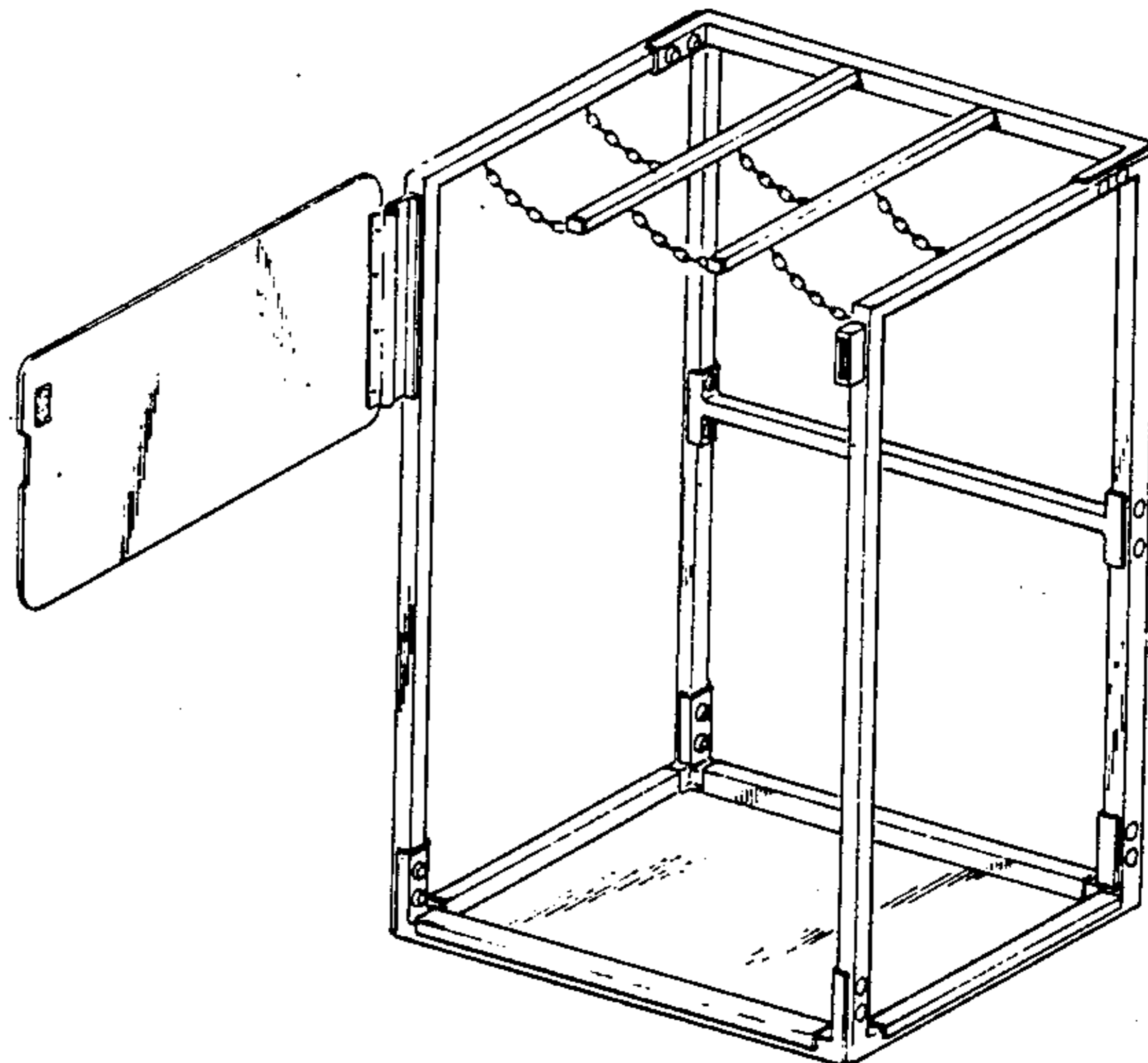
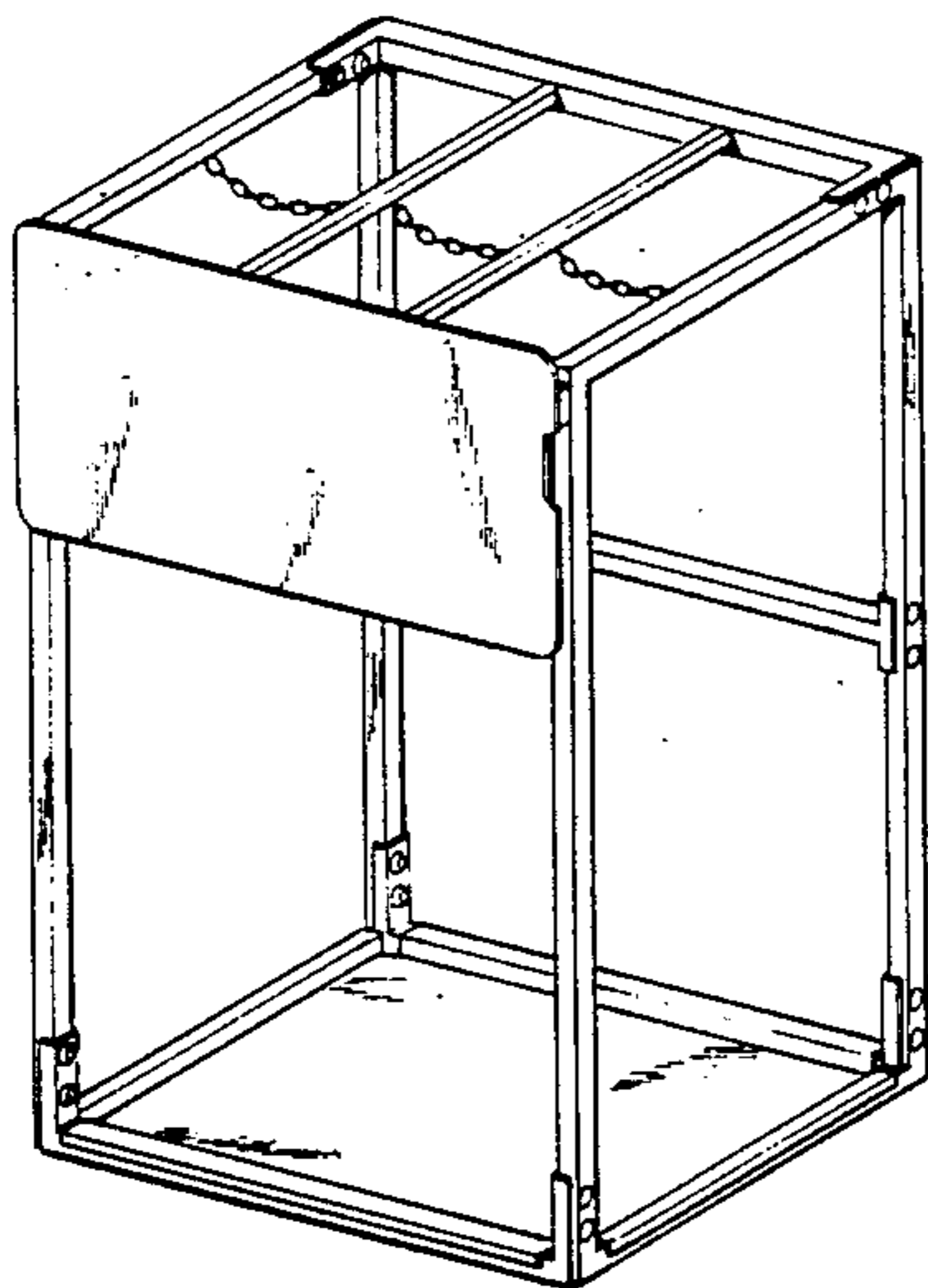
Primary Examiner—Carmen H. Vales
Attorney, Agent, or Firm—Robert E. Stebens

[57] CLAIM

The ornamental design for a merchandise display rack, substantially as shown and described.

DESCRIPTION

FIG. 1 is a top perspective view of a merchandise display rack showing our new design.
 FIG. 2 is a front elevational view thereof.
 FIG. 3 is a right side elevational view the left side being a mirror image thereof.
 FIG. 4 is a rear elevational view thereof.
 FIG. 5 is a top plan view thereof.
 FIG. 6 is a top perspective view with the door in open position;
 FIG. 7 is a top perspective view of a modified form of the merchandise display rack shown in FIG. 1;
 FIG. 8 is a front elevational view thereof;
 FIG. 9 is a right side elevational view, the left side being a mirror image thereof;
 FIG. 10 is a rear elevational view thereof;
 FIG. 11 is a top plan view thereof; and
 FIG. 12 is a top perspective view with the door in open position.
 The bottom of the merchandise display rack as shown in FIGS. 1-12 is flat and unornamented.



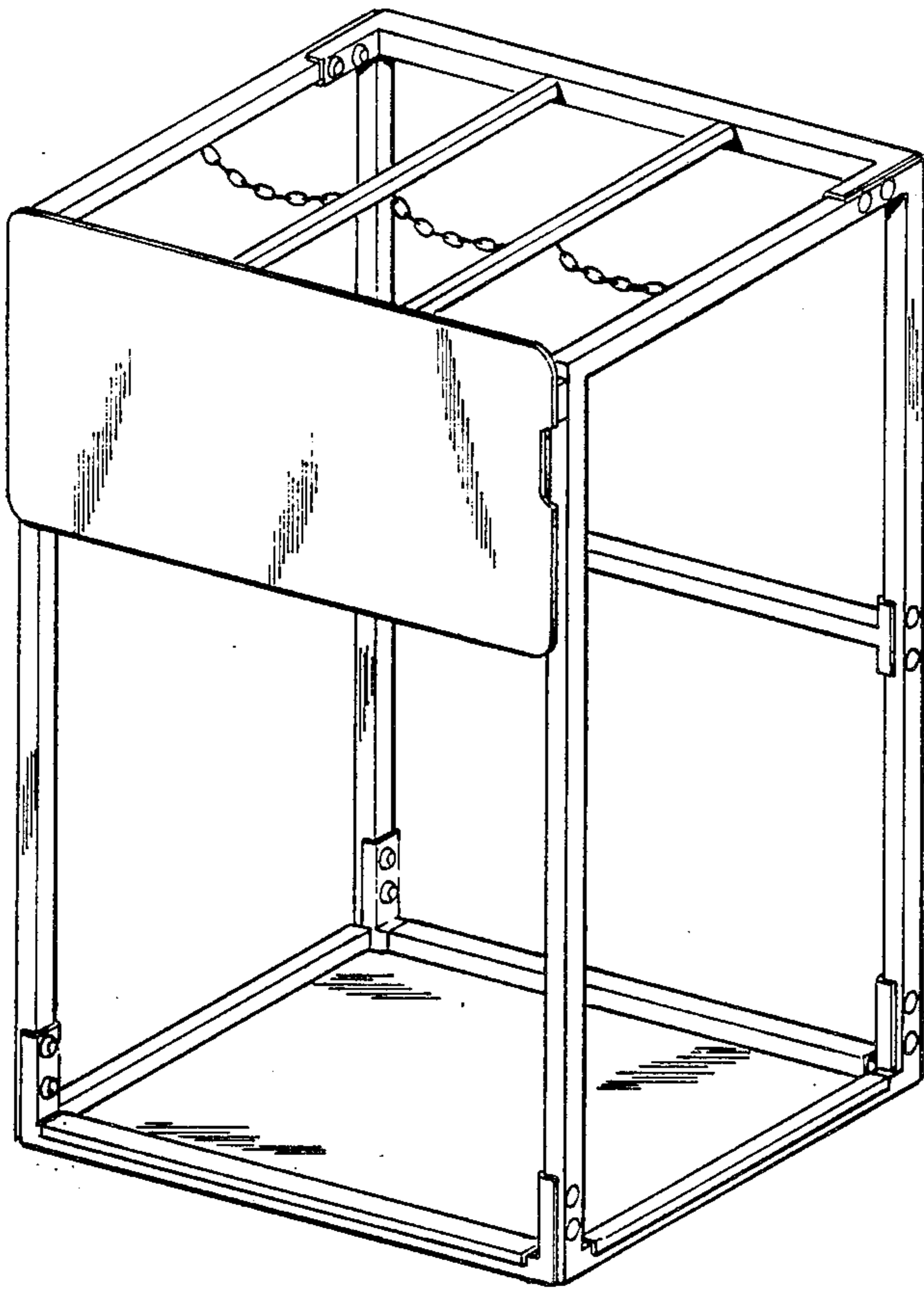


FIG. 1

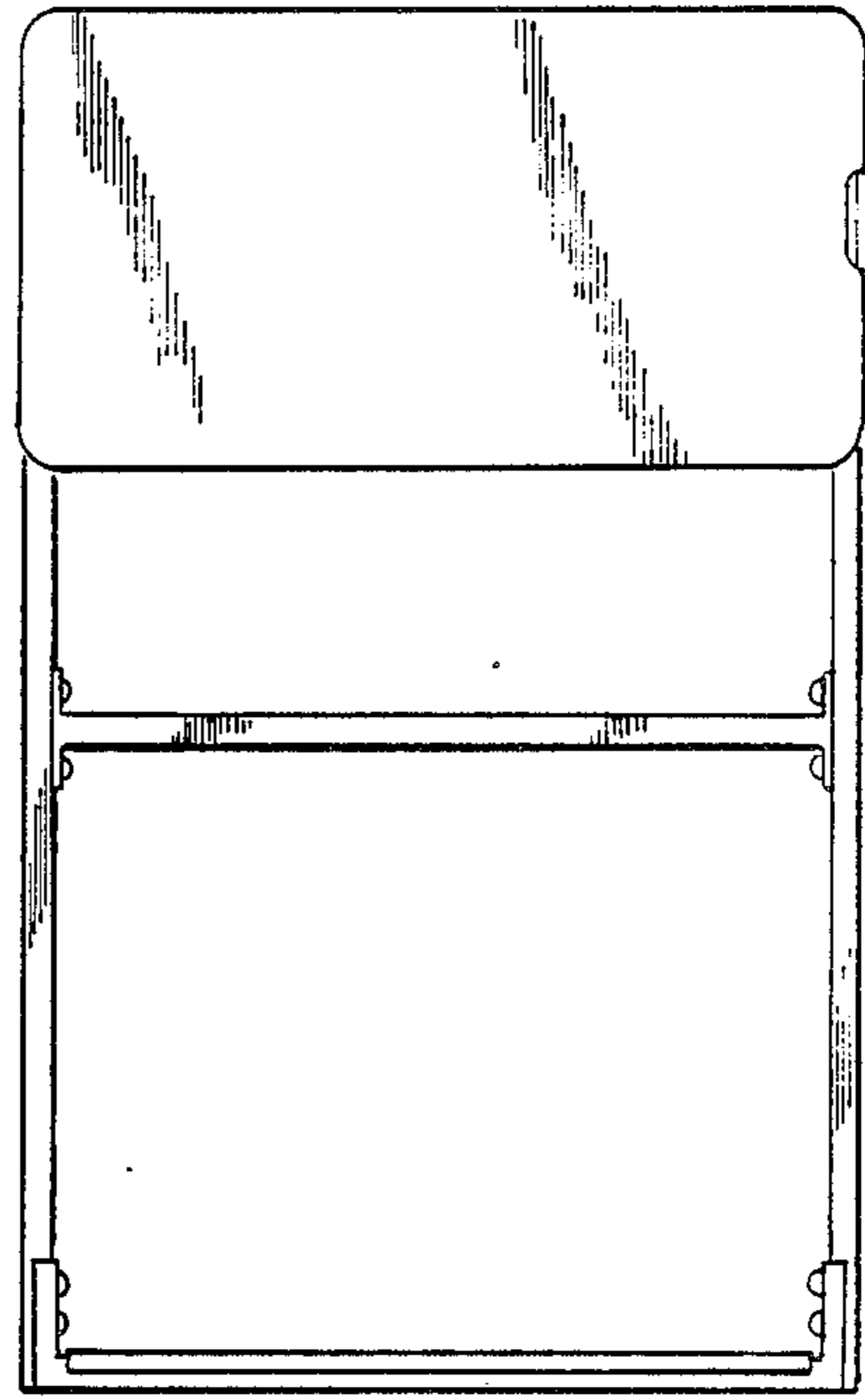


FIG. 2

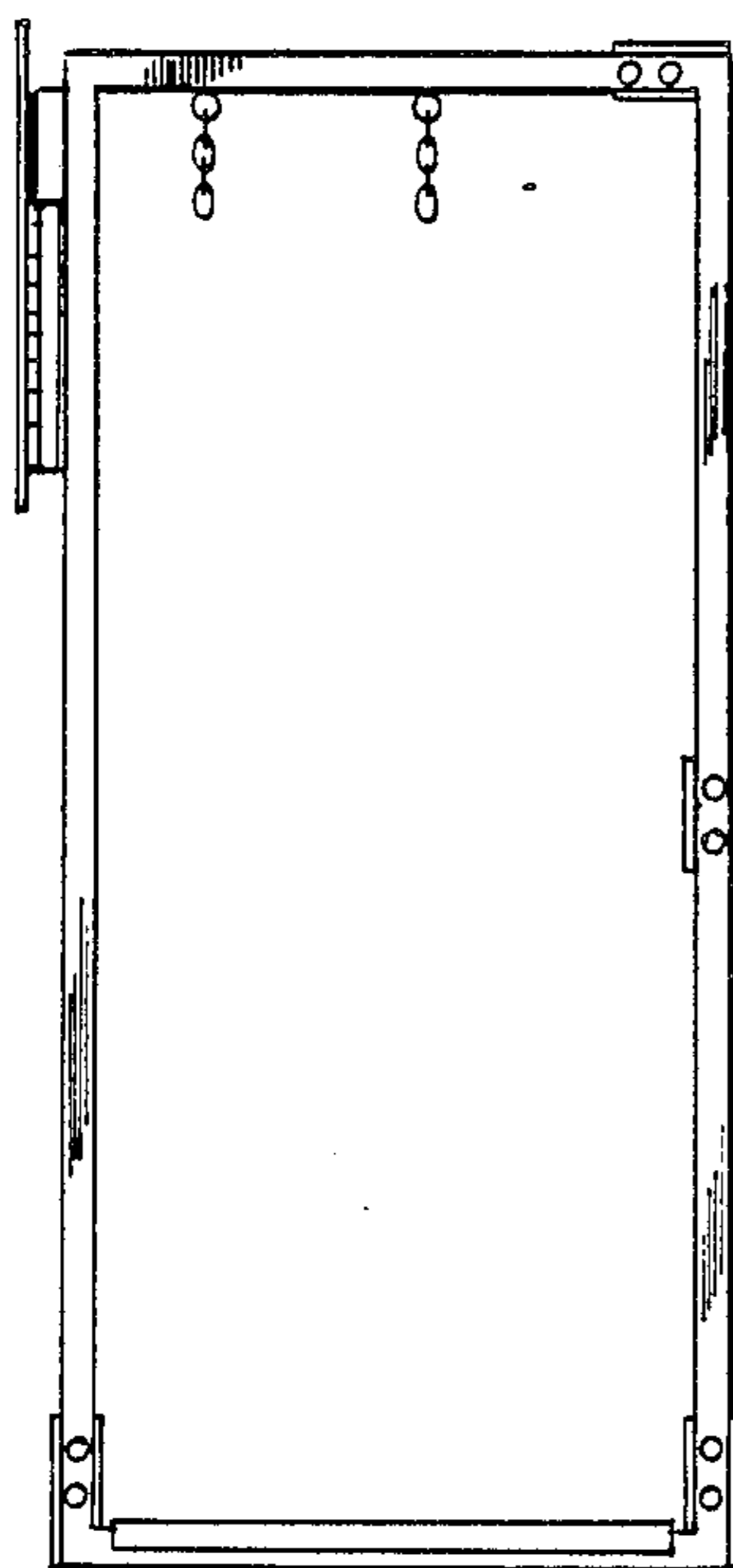


FIG. 3

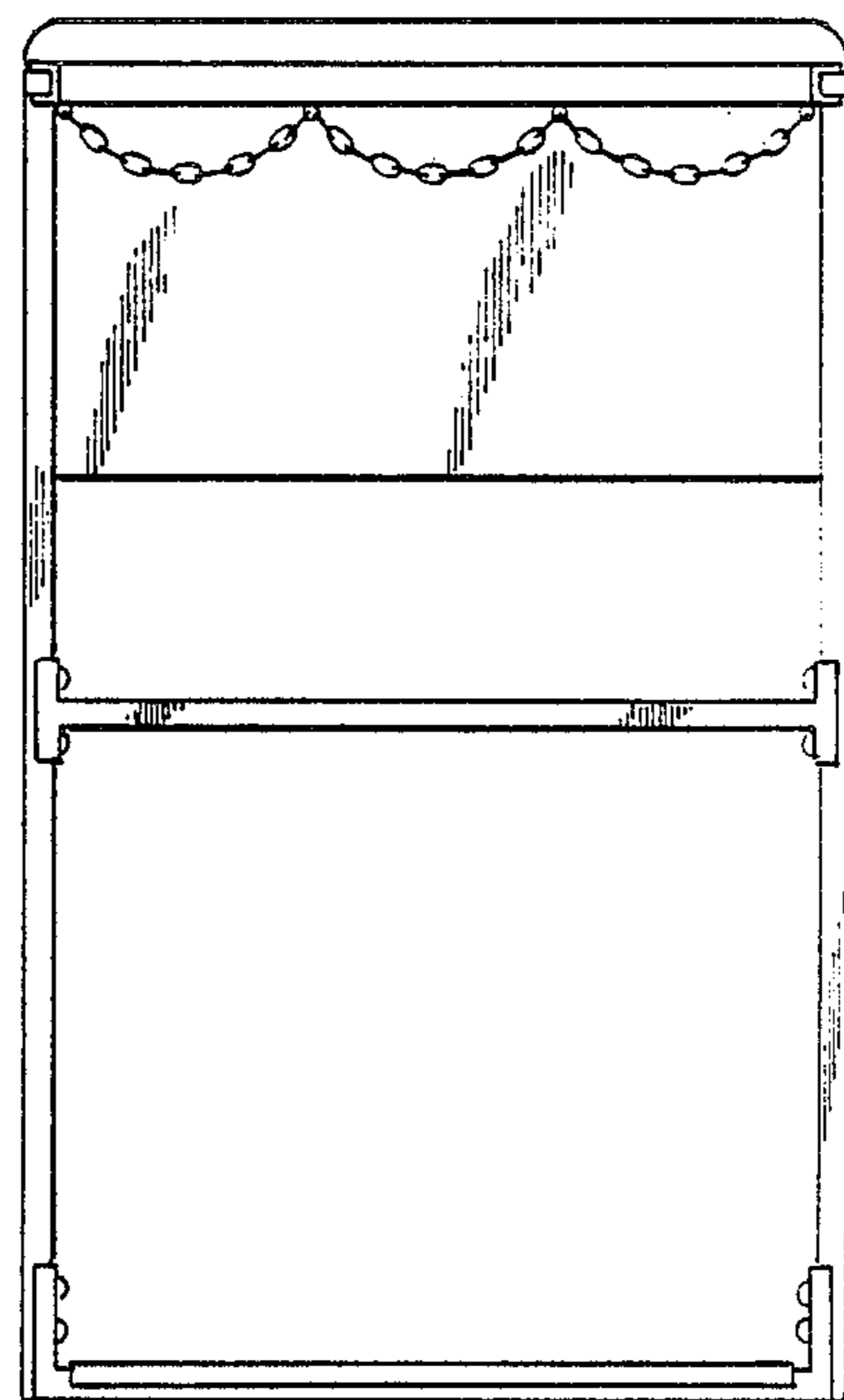


FIG. 4

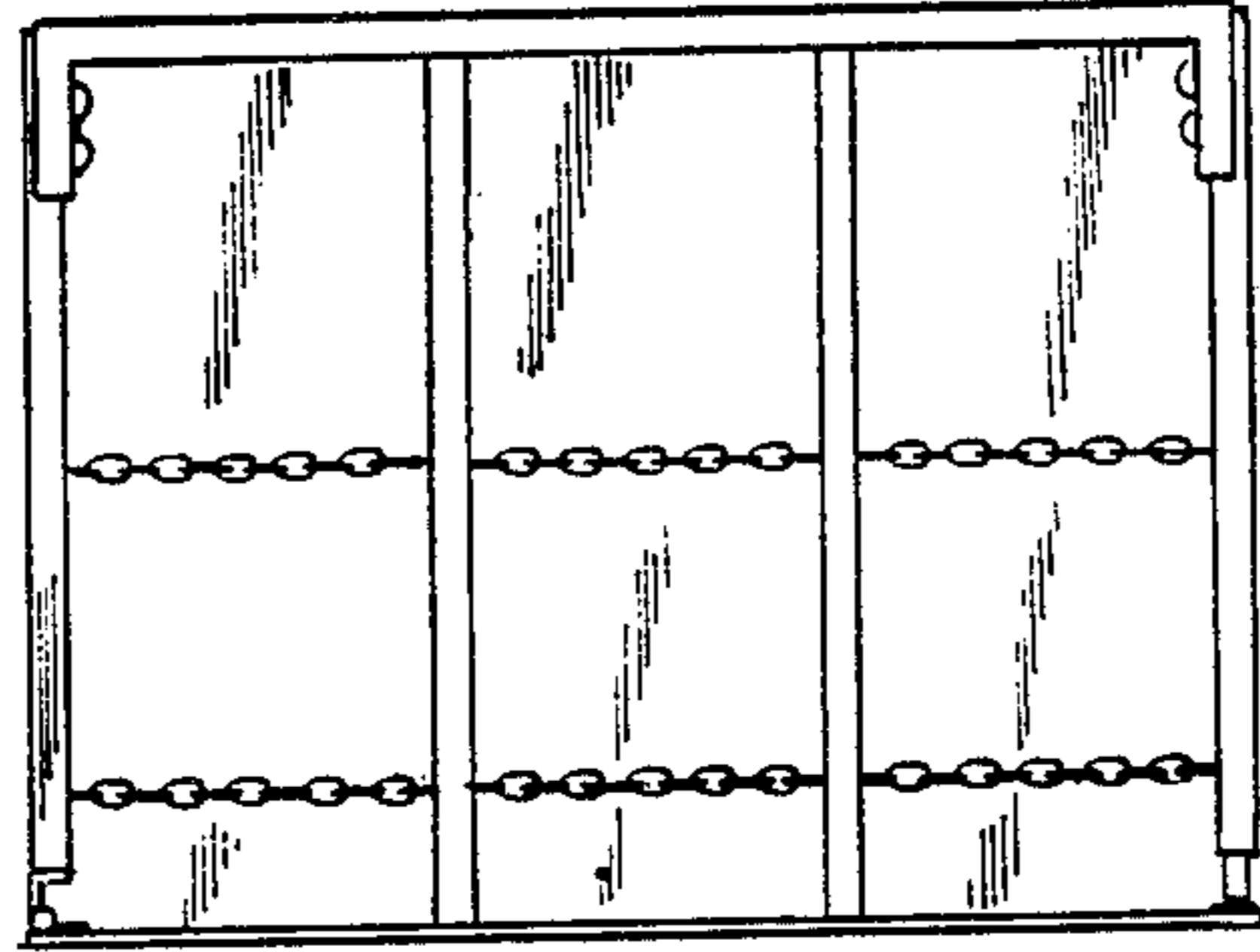


FIG. 5

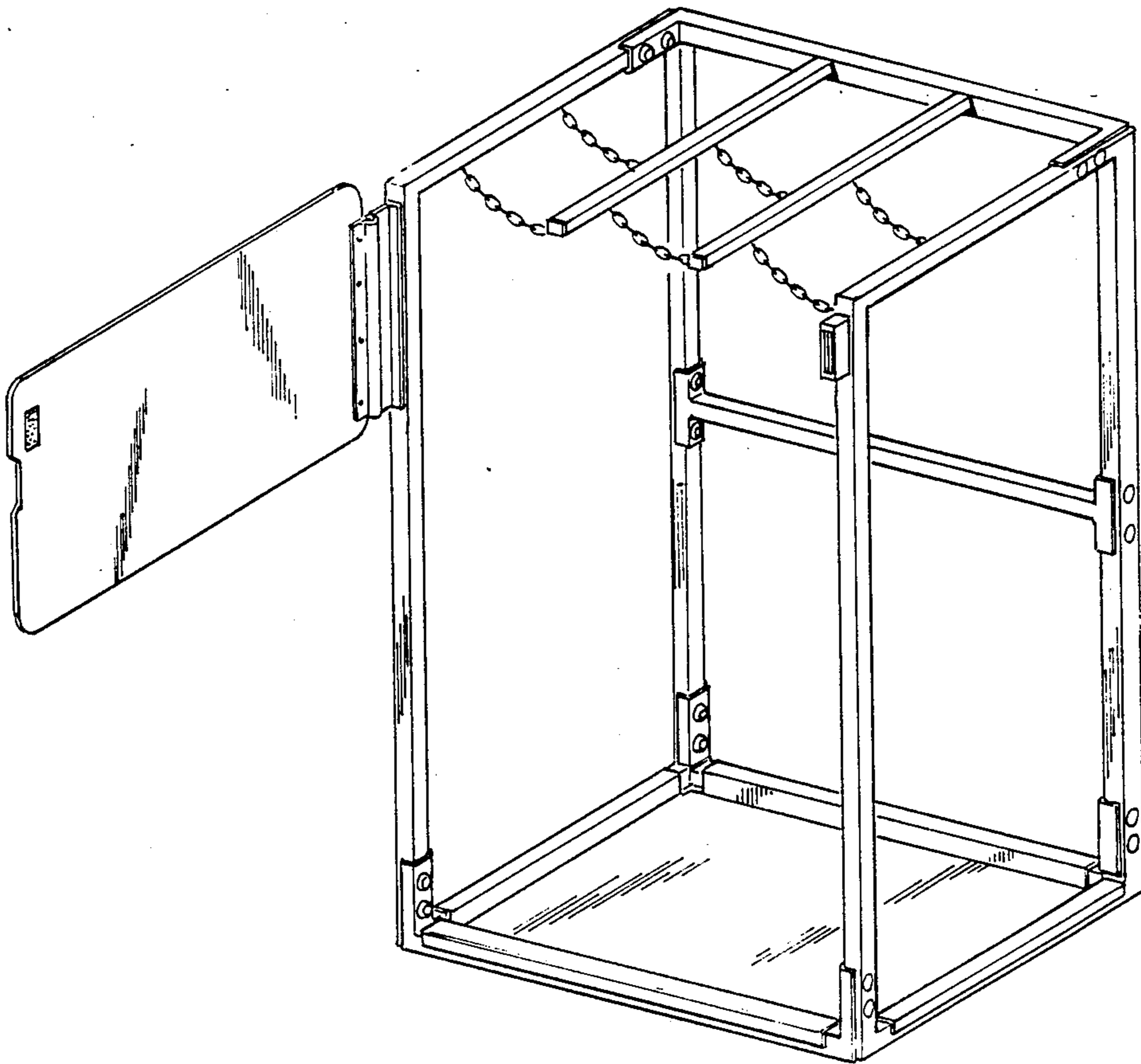


FIG. 6

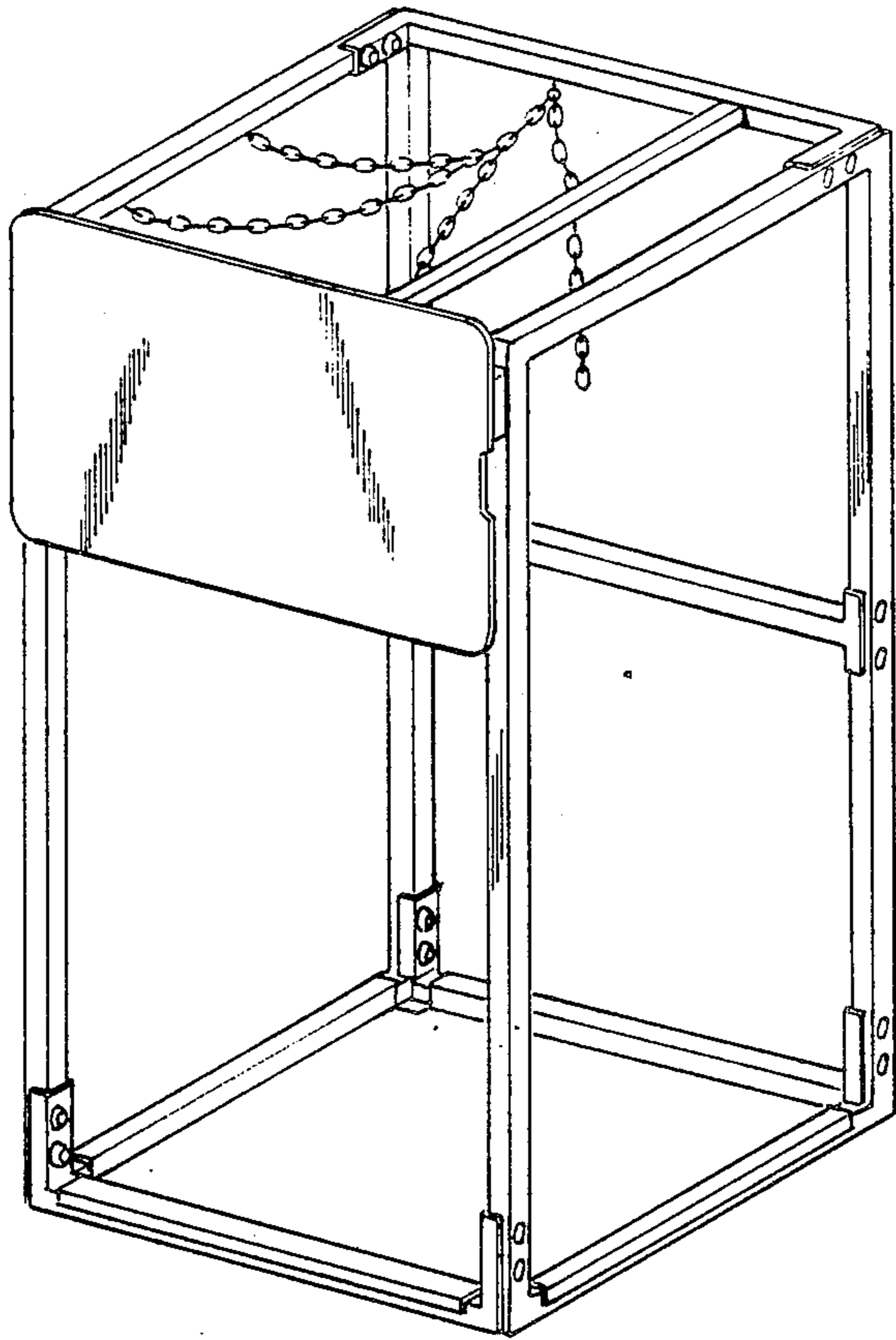


FIG. 7

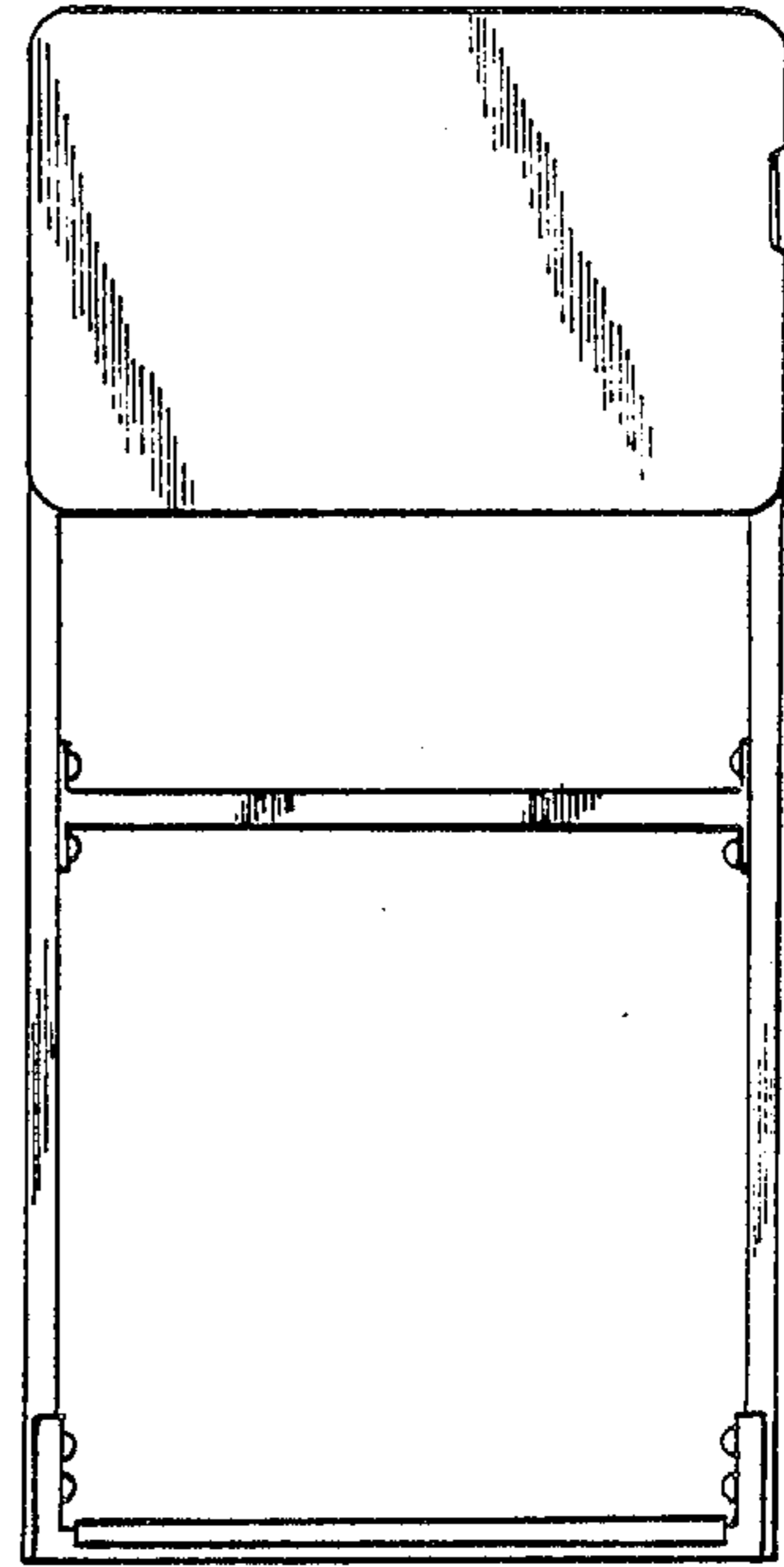


FIG. 8

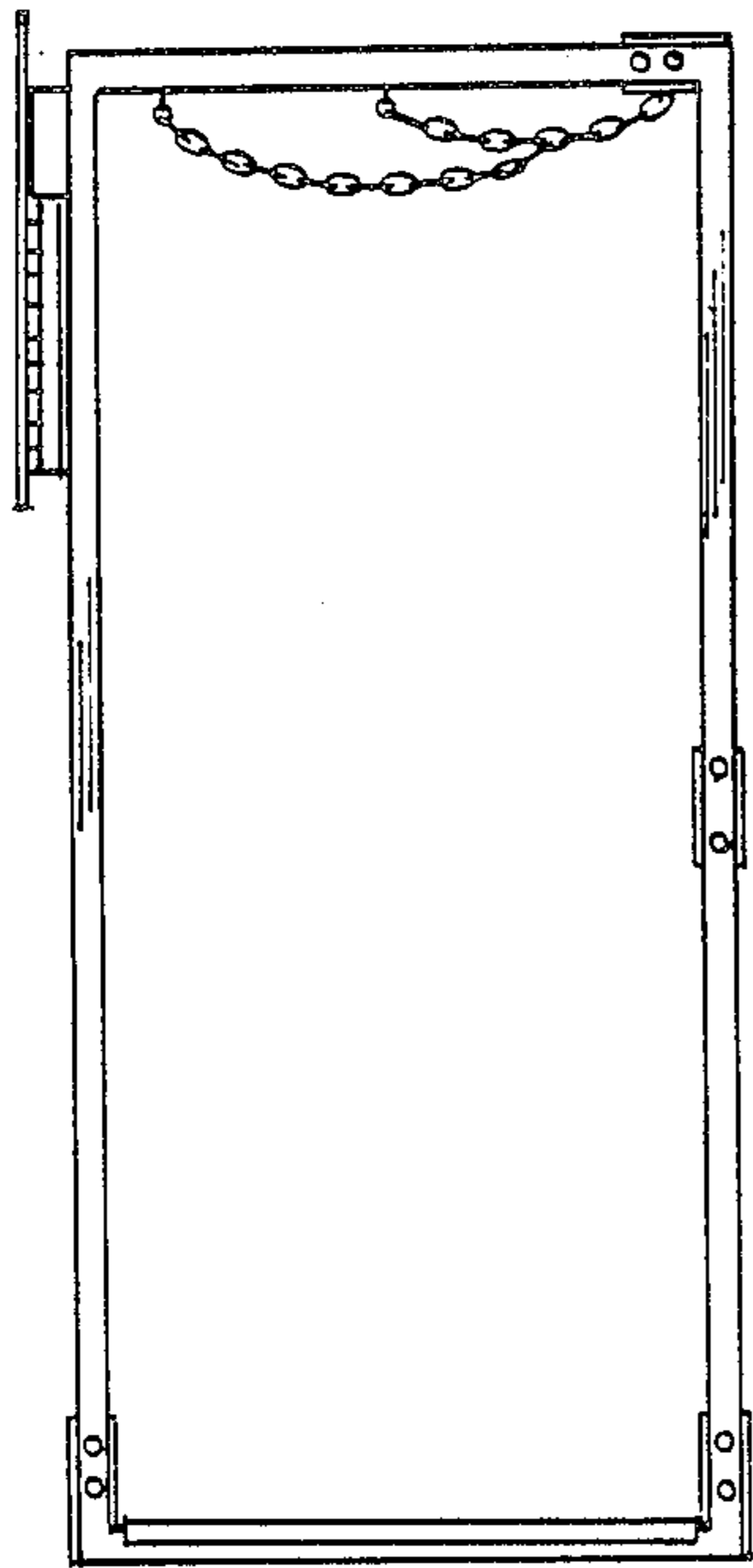


FIG. 9

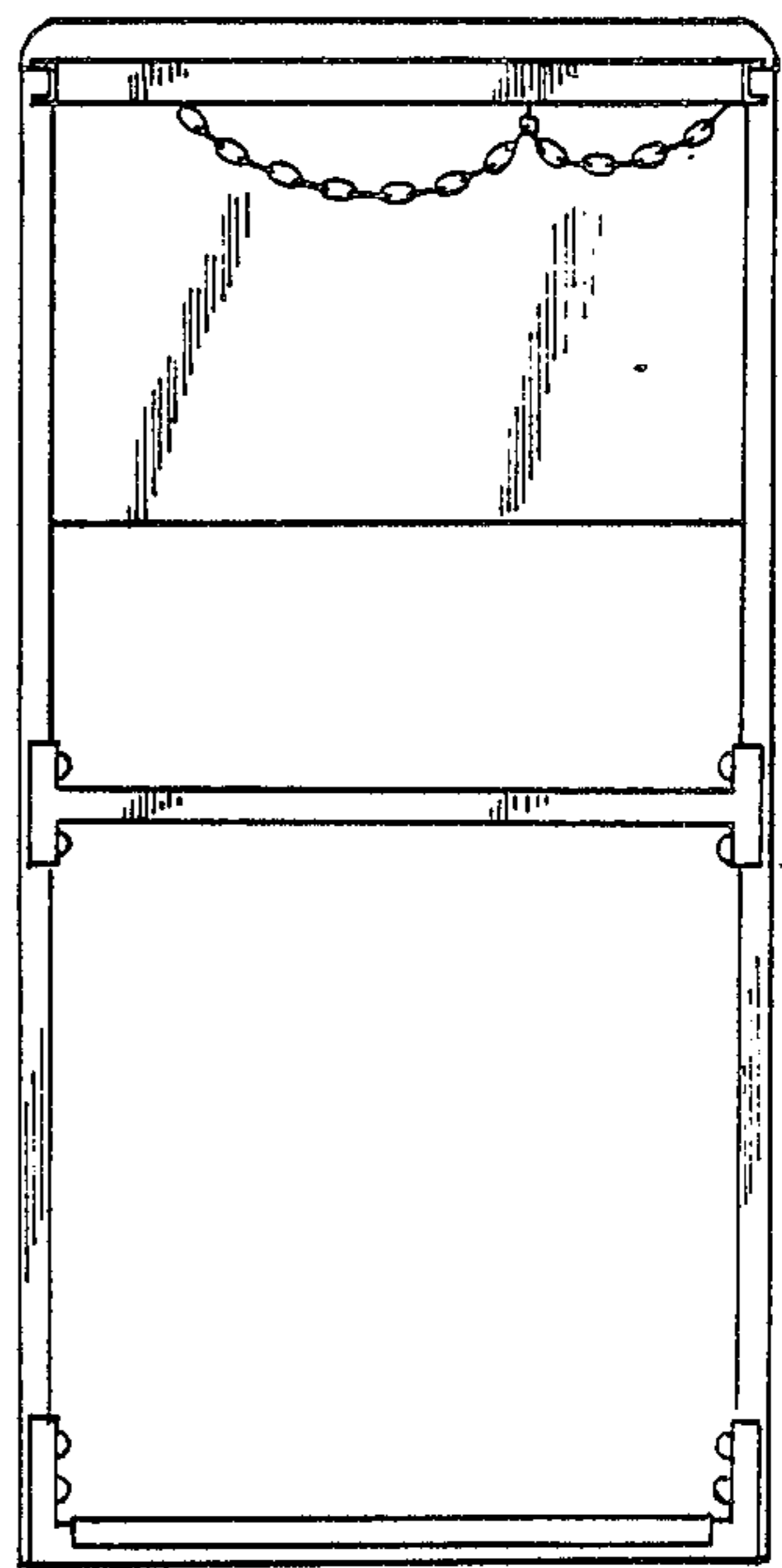


FIG. 10

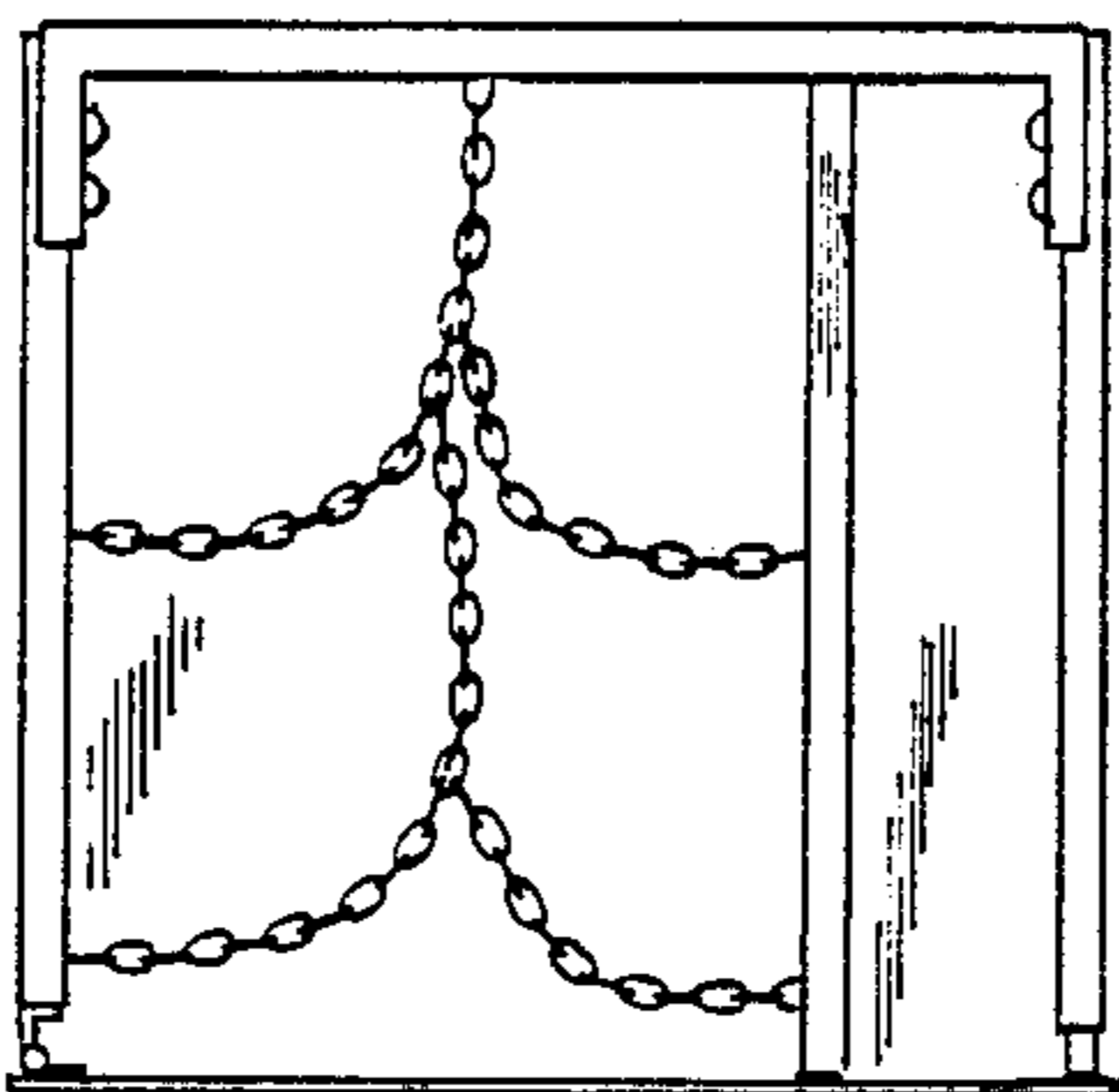


FIG. II

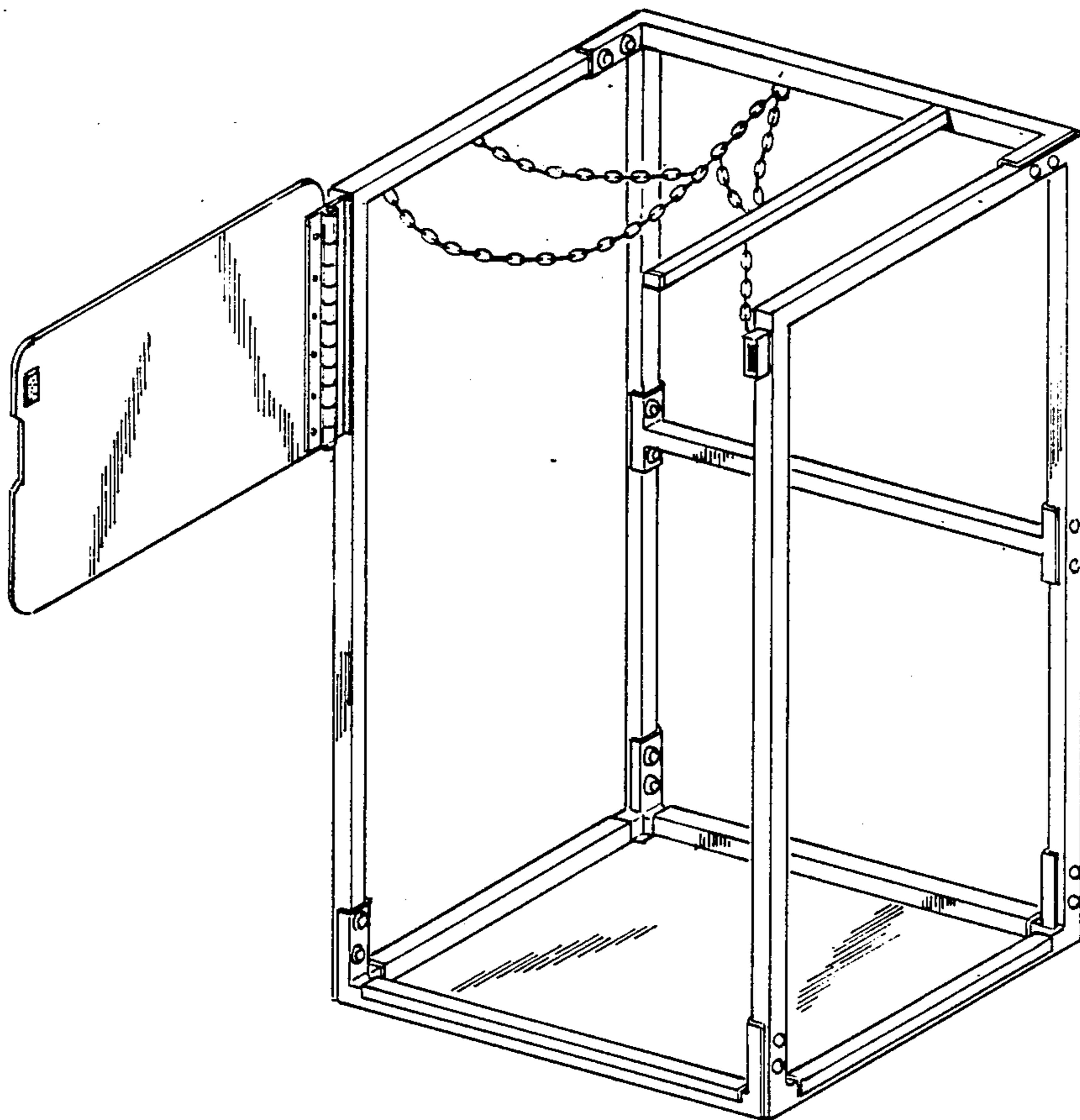


FIG. 12