

[54] CHAIR

[76] Inventor: Richard Frinier, 4324 E. Broadway, Long Beach, Calif. 90803

[\*\*] Term: 14 Years

[21] Appl. No.: 752,163

[22] Filed: Jul. 3, 1985

[52] U.S. Cl. .... D6/379

[58] Field of Search ..... D6/334, 360, 361, 370, D6/373, 374, 379, 380; 297/440, 445

[56] References Cited

U.S. PATENT DOCUMENTS

- D. 244,109 4/1977 Zola ..... D6/379 X
- D. 279,243 6/1985 Vanderminden ..... D6/379 X
- D. 280,474 9/1985 Vanderminden ..... D6/370 X
- D. 286,472 11/1986 Arthur, Jr. .... D6/379

OTHER PUBLICATIONS

Brown Jordan ©1976, p. 45, "Kantan" Group, chair No. 1140-5000.

Primary Examiner—Bruce W. Dunkins

Attorney, Agent, or Firm—Christie, Parker & Hale

[57] CLAIM

The ornamental design for a chair, substantially as shown and described.

DESCRIPTION

FIG. 1 is a perspective view looking downwardly from a position from above, the front, and to one side of the chair;

FIG. 2 is a side elevational view of the chair;

FIG. 3 is a front elevational view of the chair;

FIG. 4 is a rear elevational view of the chair;

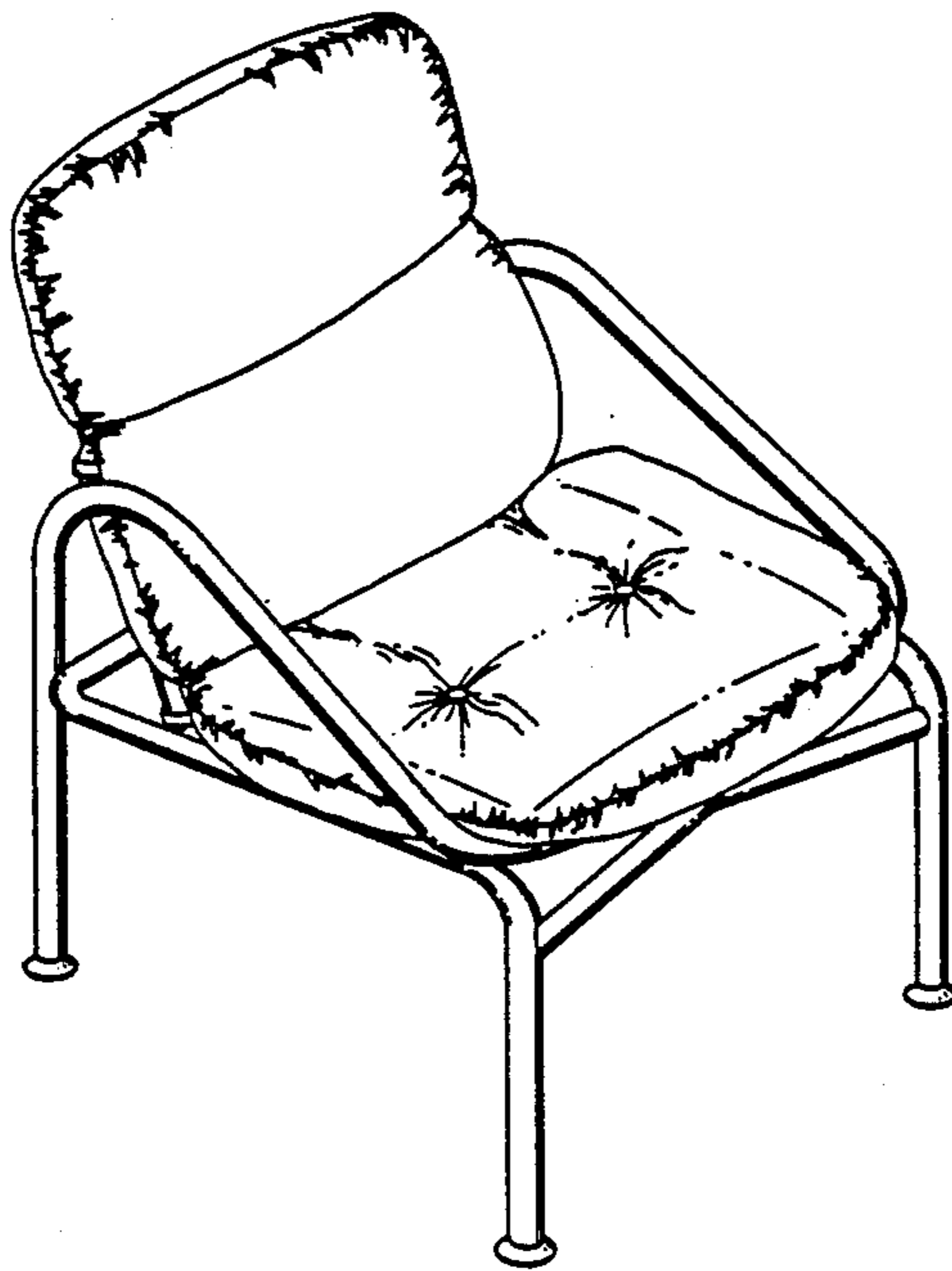
FIG. 5 is a top plan view of the chair;

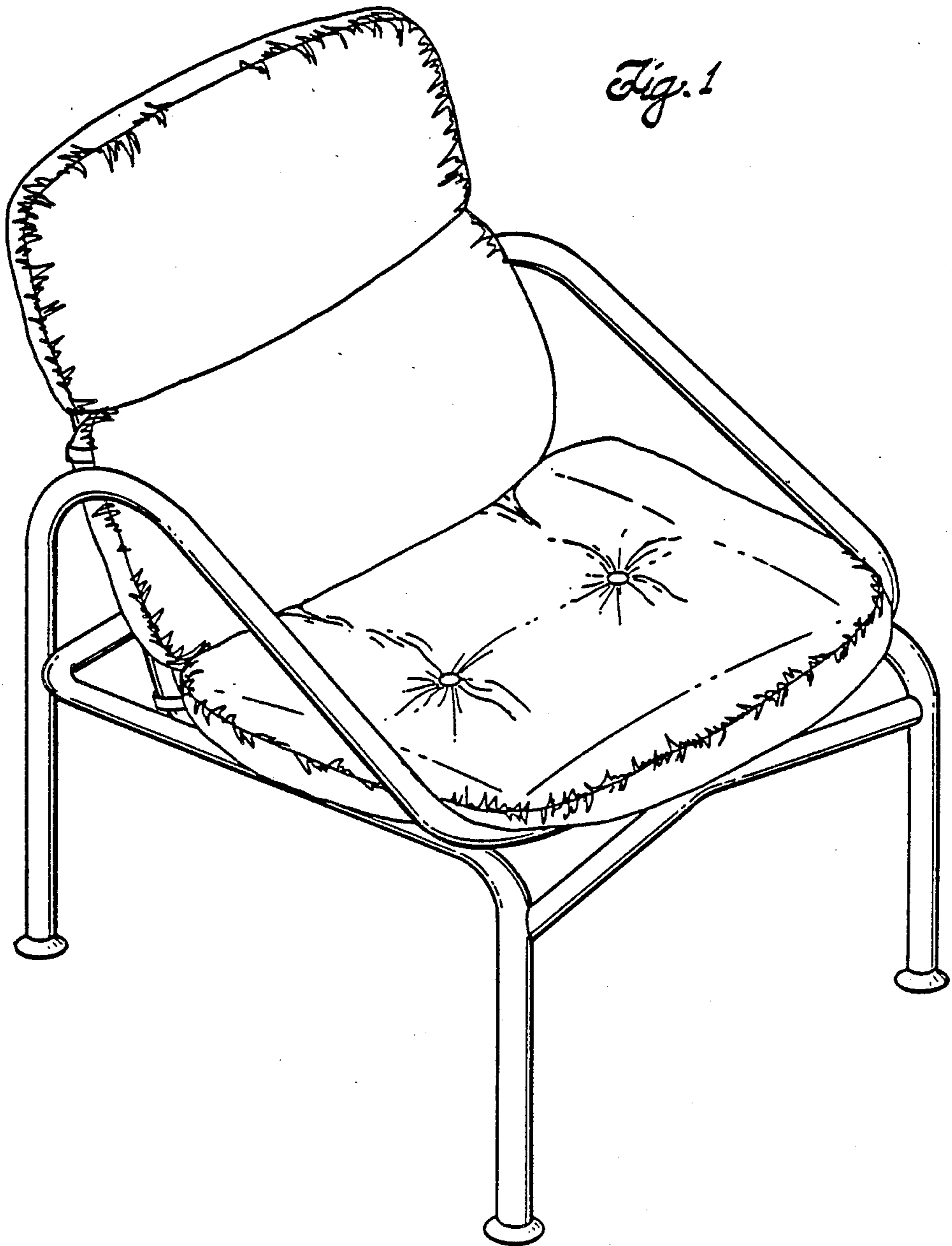
FIG. 6 is a side elevational view of the chair of FIG. 2 wherein the cushions have been omitted for convenience of illustration;

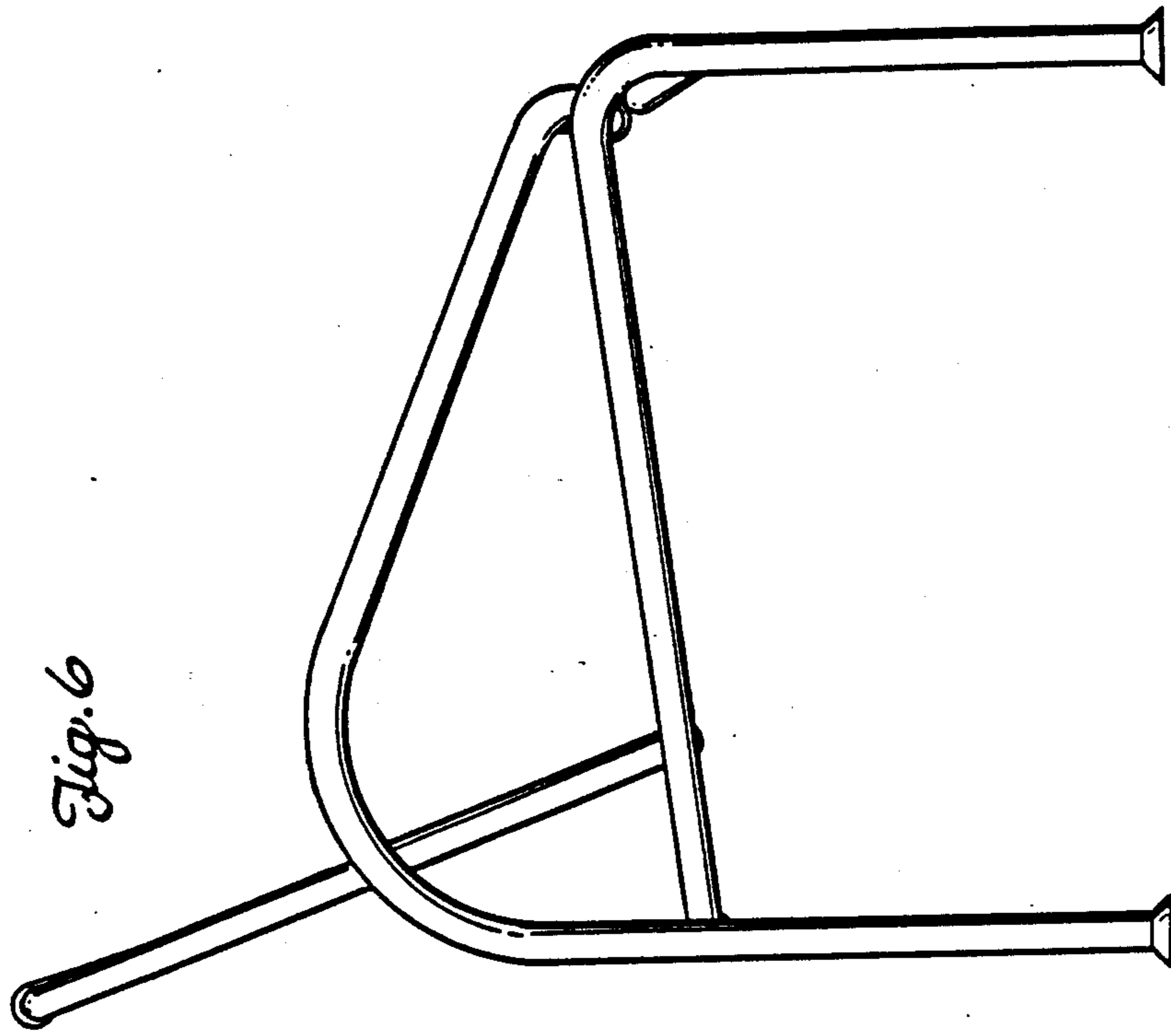
FIG. 7 is a front elevational view of the chair of FIG. 3 wherein the cushions have been omitted for convenience of illustration;

FIG. 8 is a rear elevational view of the chair of FIG. 4 wherein the cushions have been omitted for convenience of illustration; and

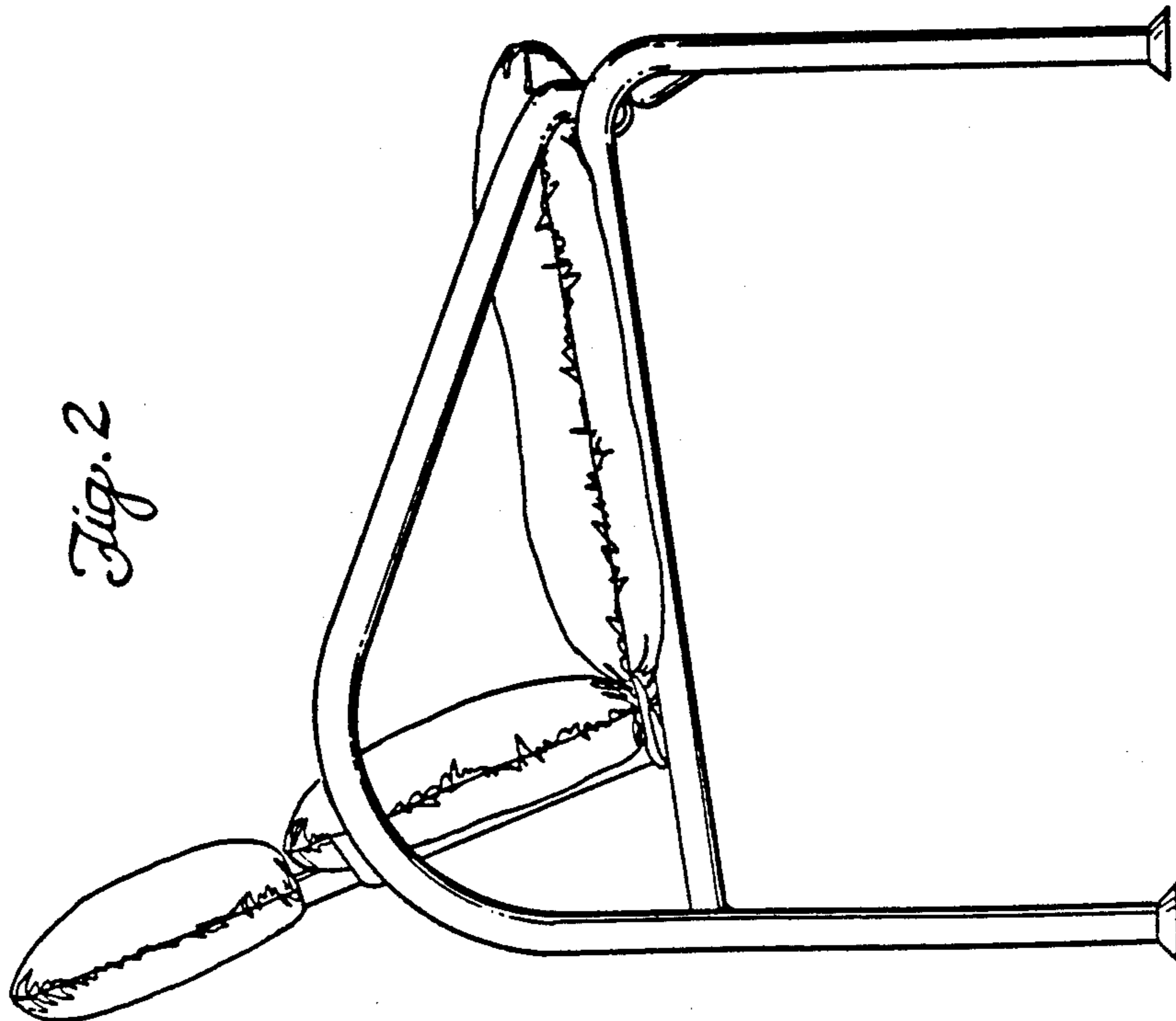
FIG. 9 is a top plan view of the chair of FIG. 5 wherein the cushions have been omitted for convenience of illustration.





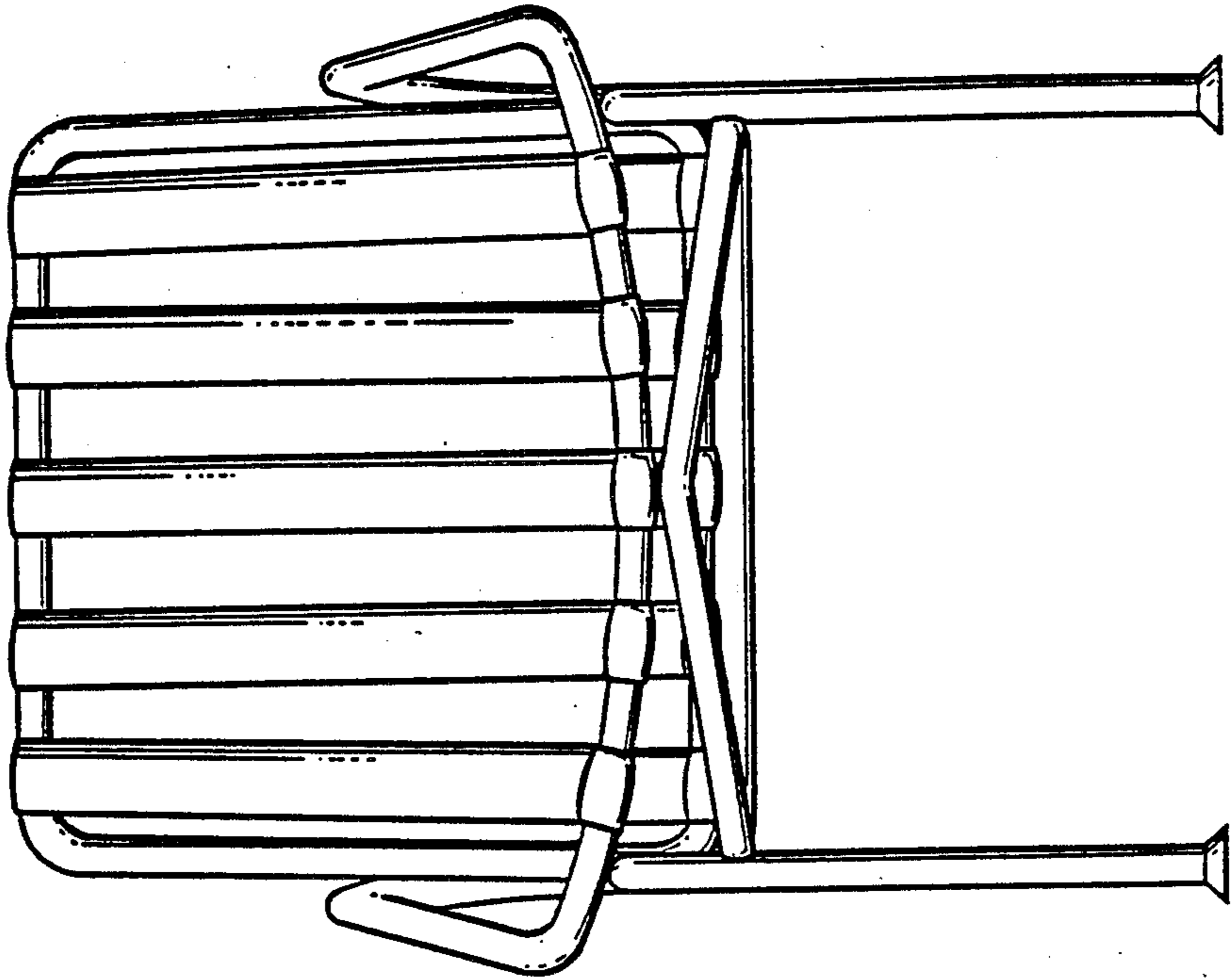


*Fig. 6*

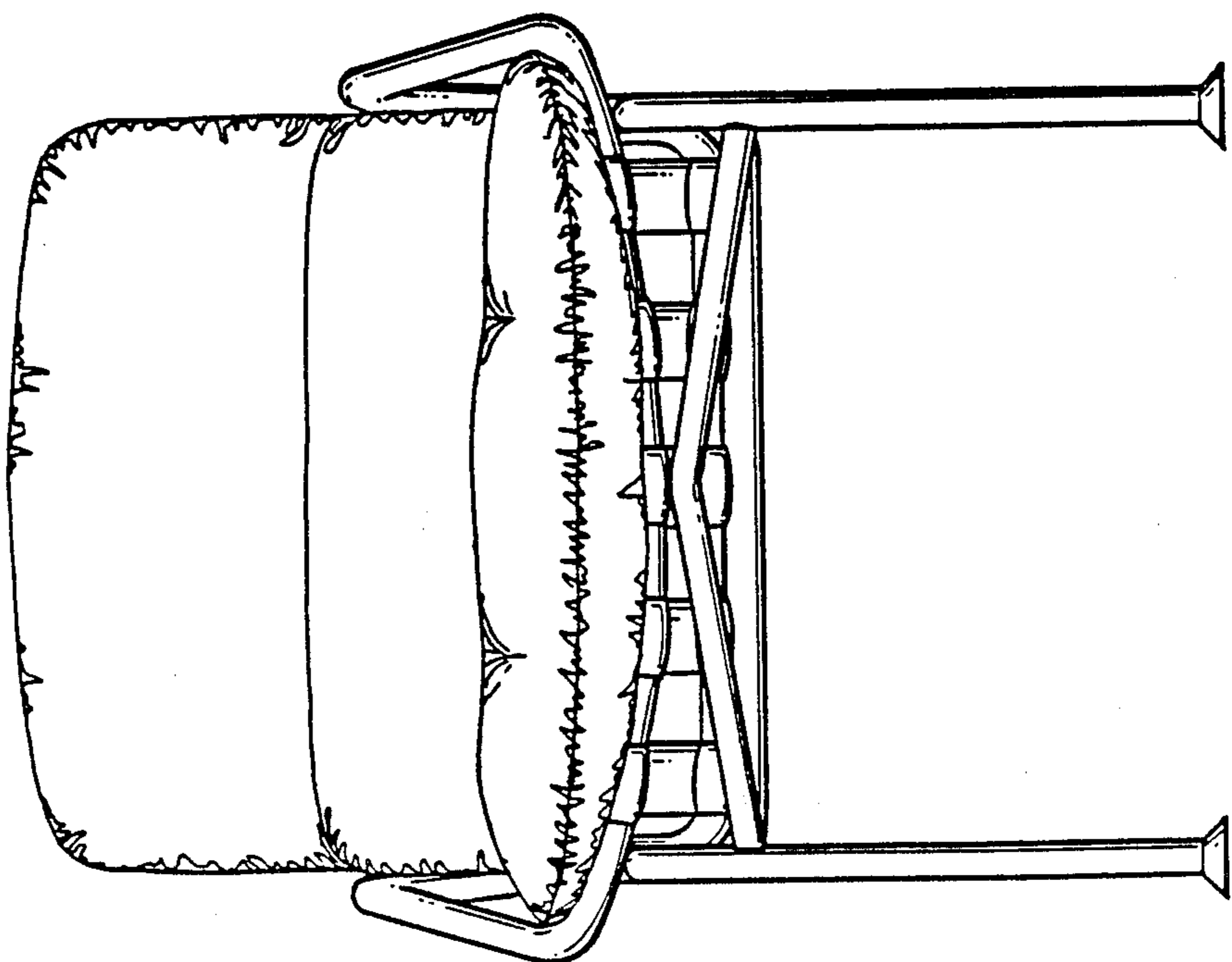


*Fig. 2*

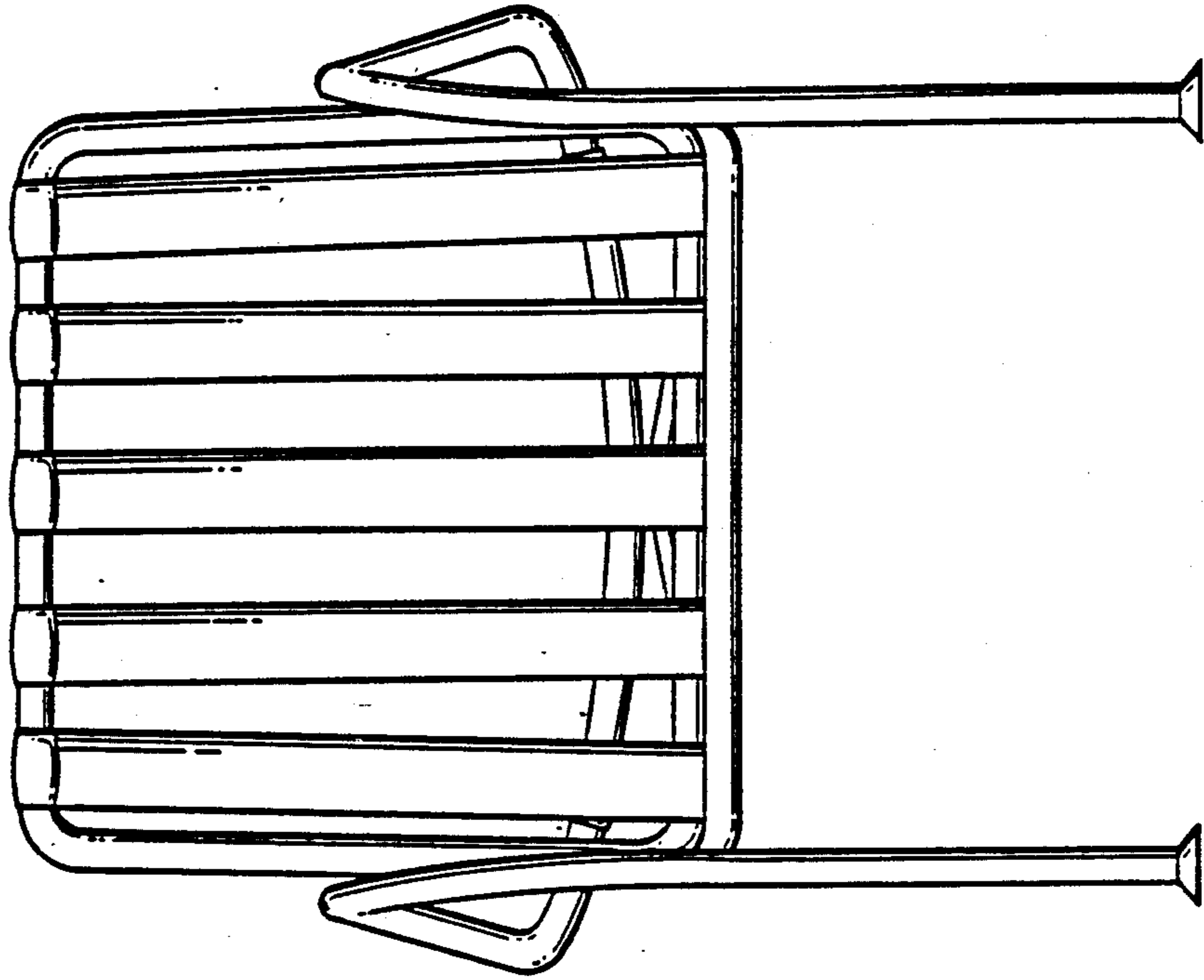
*Fig. 1*



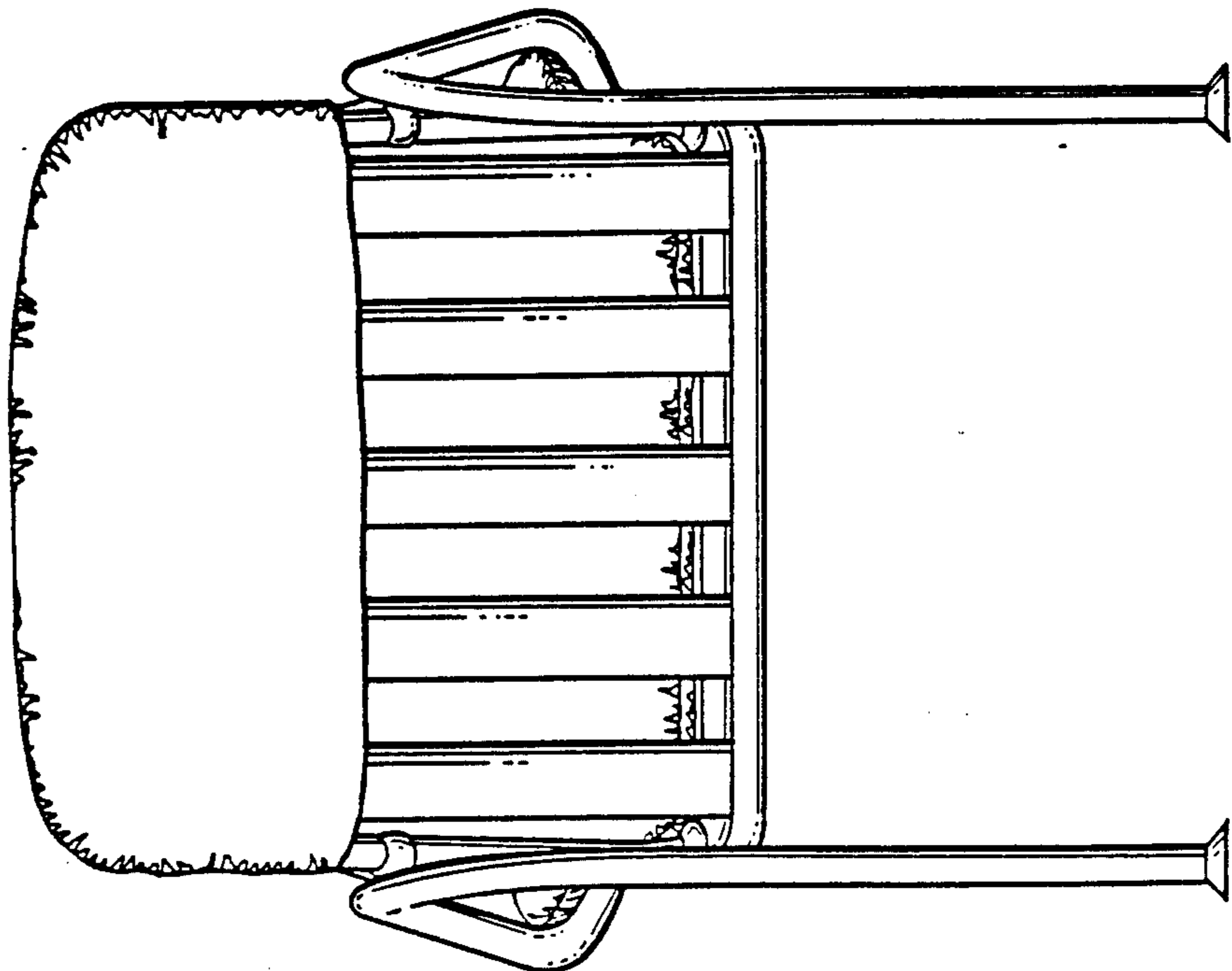
*Fig. 3*



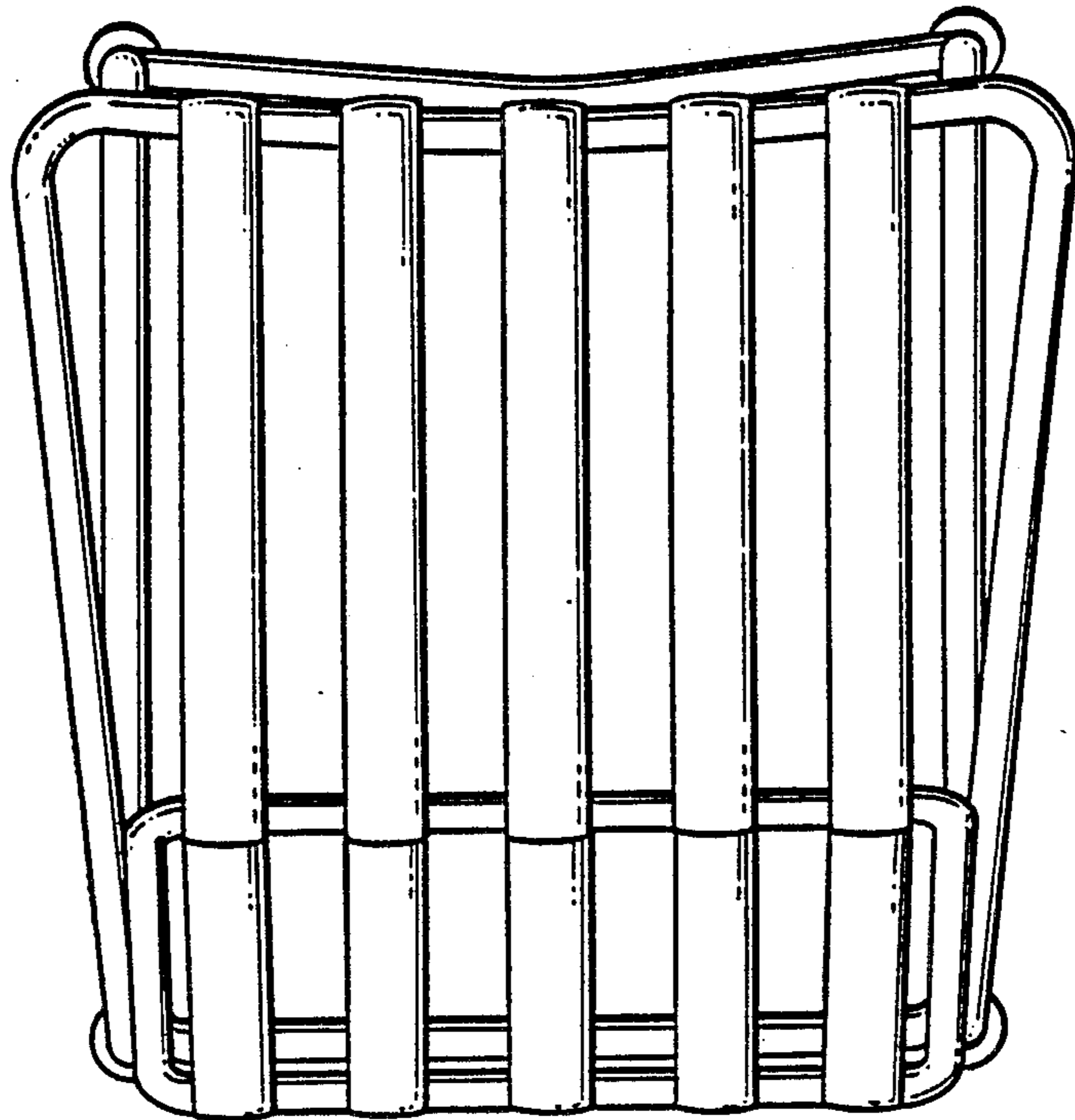
*Fig. 8*



*Fig. 4*



*Fig. 9*



*Fig. 5*

