

[54] CHAISE

[76] Inventor: Richard Frinier, 4324 E. Broadway, Long Beach, Calif. 90803

[**] Term: 14 Years

[21] Appl. No.: 752,241

[22] Filed: Jul. 3, 1985

[52] U.S. Cl. D6/361

[58] Field of Search D6/334, 360, 361, 370, D6/371, 372, 373, 375, 379, 380; 297/440, 445

[56] References Cited

U.S. PATENT DOCUMENTS

- D. 267,601 1/1983 Hickey D6/361
- D. 279,240 6/1985 Jernigan D6/361
- D. 280,473 9/1985 Parker D6/379
- D. 284,143 6/1986 Vanderminden D6/361
- D. 285,873 9/1986 Criqui D6/370 X
- D. 291,507 8/1987 Colby D6/361

OTHER PUBLICATIONS

Brown Jordan ©1976, p. 42, "Lido" Group, Chaise No. 1150-7300.

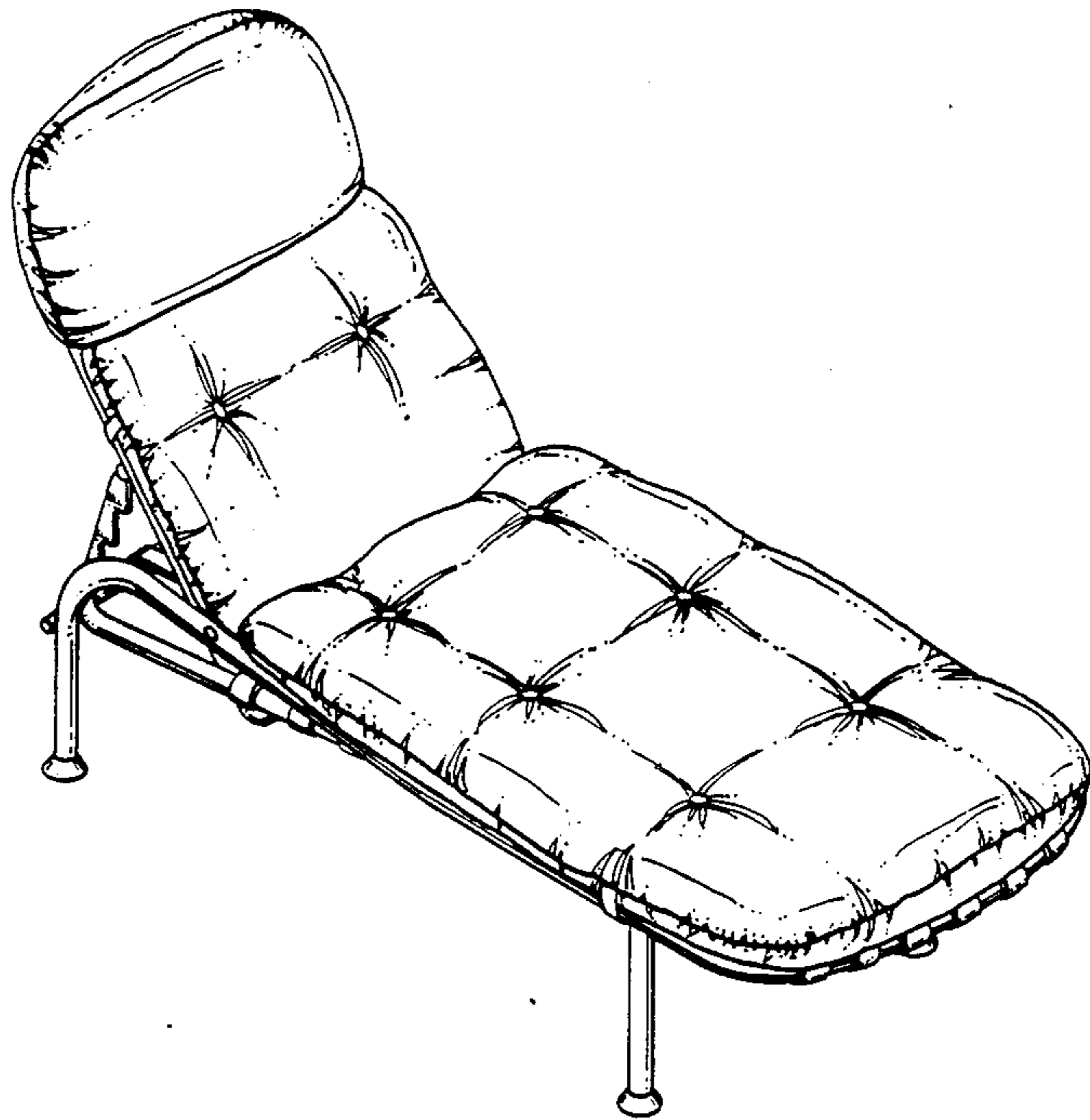
Primary Examiner—Bruce W. Dunkins
Attorney, Agent, or Firm—Christie, Parker & Hale

[57] CLAIM

The ornamental design for a chaise, substantially as shown and described.

DESCRIPTION

FIG. 1 is a perspective view taken from above, to one side and the front of the chaise;
 FIG. 2 is a side elevational view of the chaise;
 FIG. 3 is a front elevational view of the chaise;
 FIG. 4 is a rear elevational view of the chaise;
 FIG. 5 is a top plan view of the chaise;
 FIG. 6 is a side elevational view of the chaise of FIG. 2 wherein the cushions have been omitted for convenience of illustration;
 FIG. 7 is a front elevational view of the chaise of FIG. 3 wherein the cushions have been omitted for convenience of illustration;
 FIG. 8 is a rear elevational view of the chaise of FIG. 4 wherein the cushions have been omitted for convenience of illustration; and
 FIG. 9 is a top plan view of the chaise of FIG. 5 wherein the cushions have been omitted for convenience of illustration.



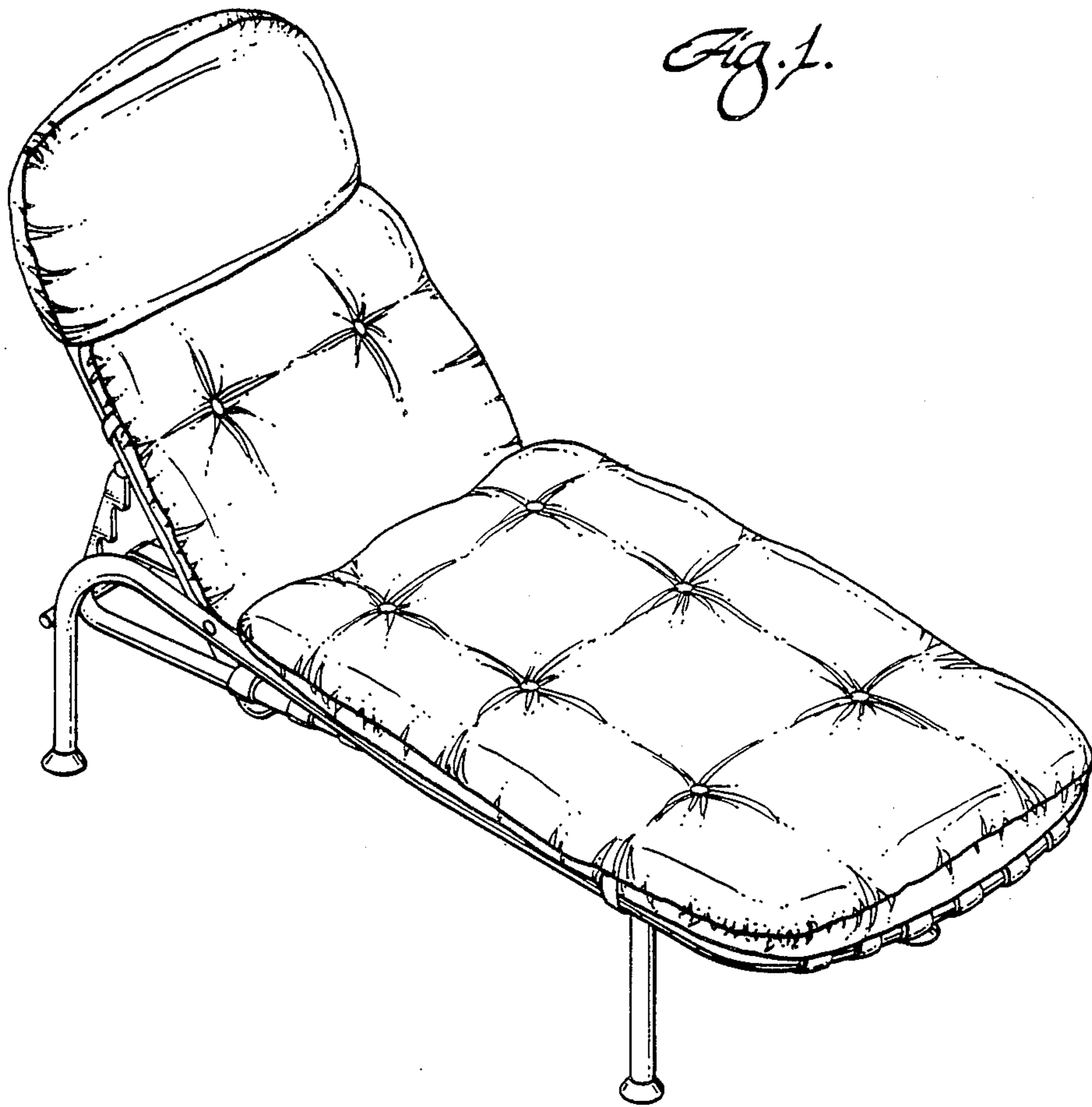


Fig. 1.

Fig. 2.

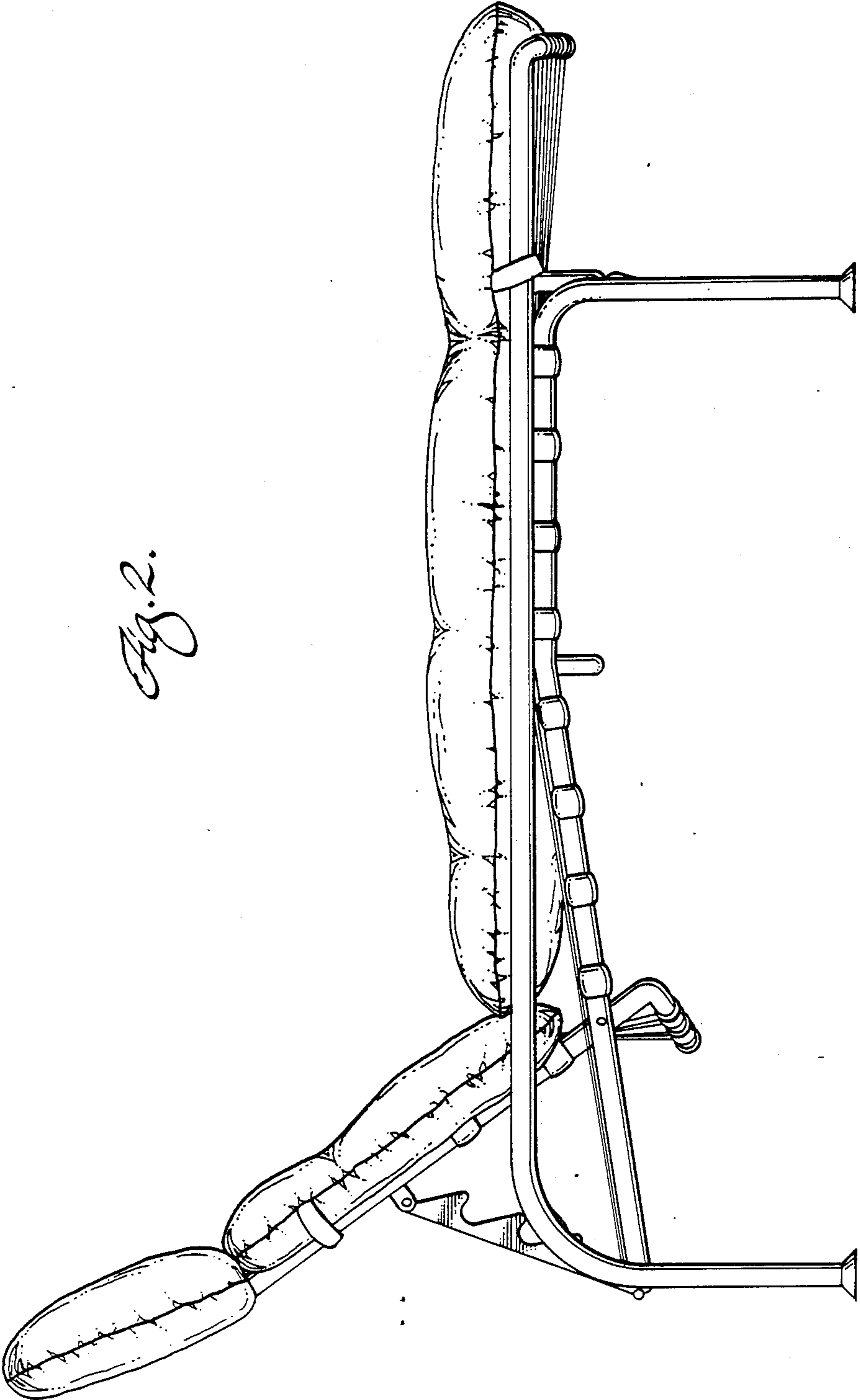


Fig. 7.

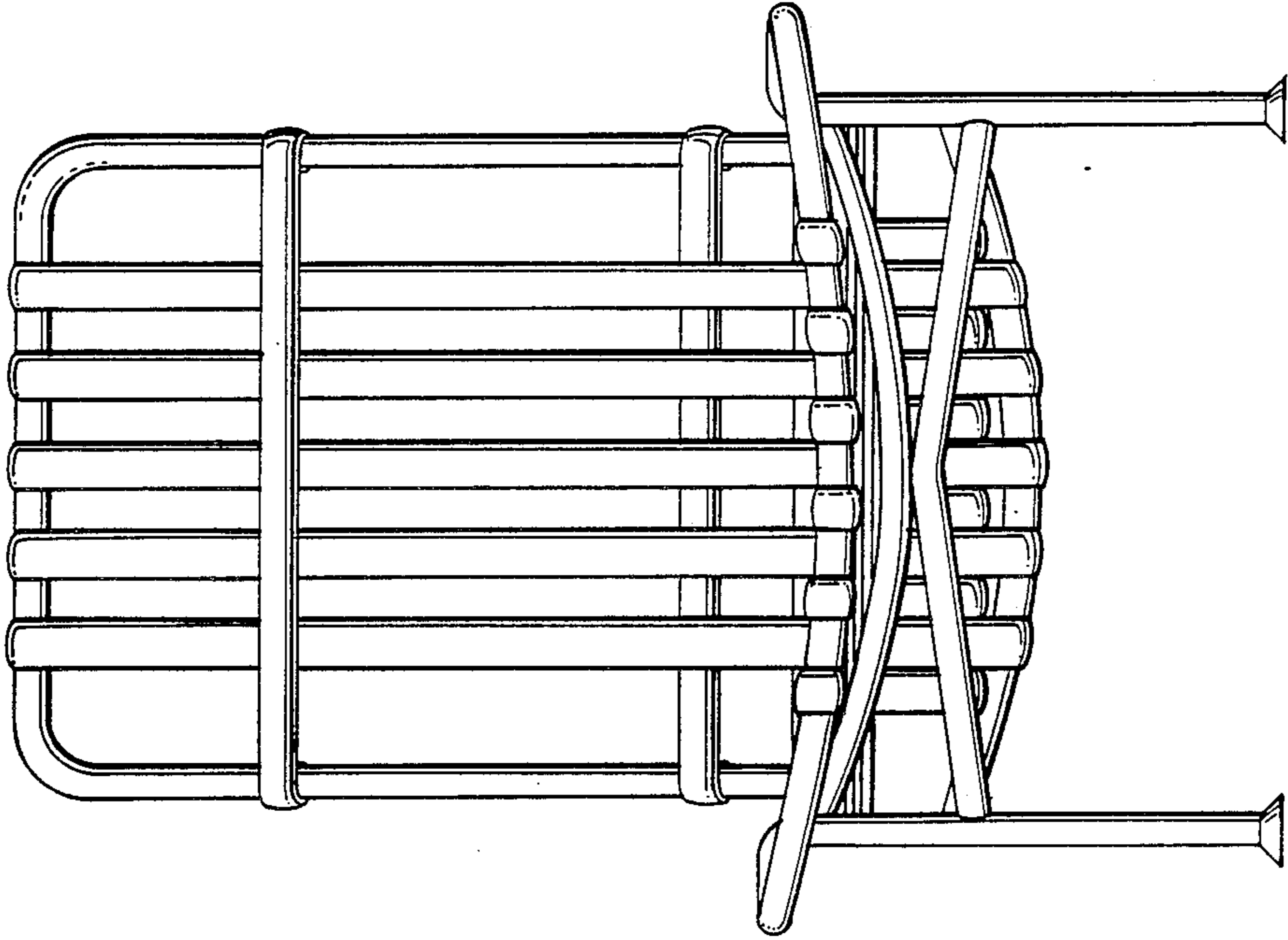


Fig. 3.

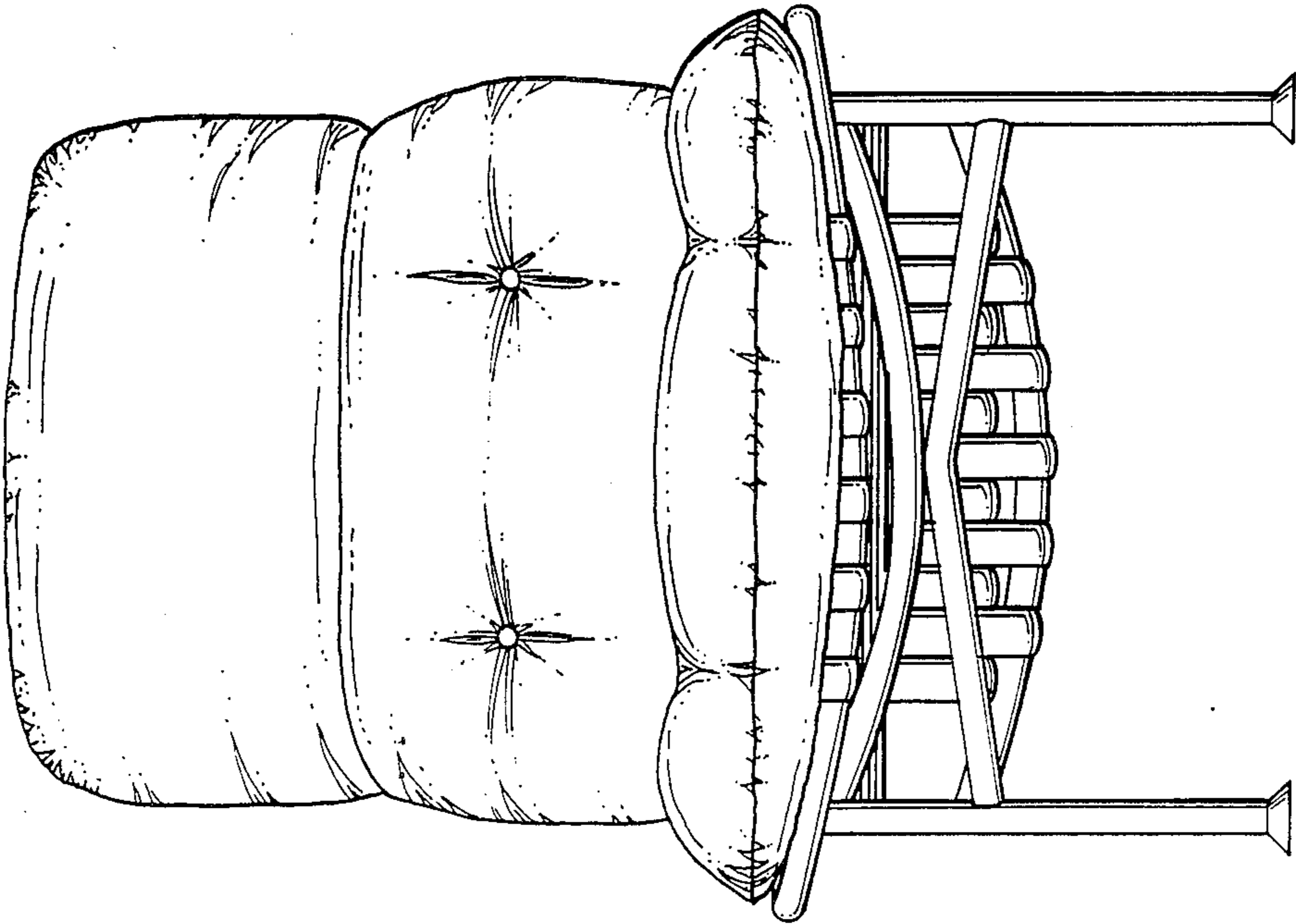


Fig. 8.

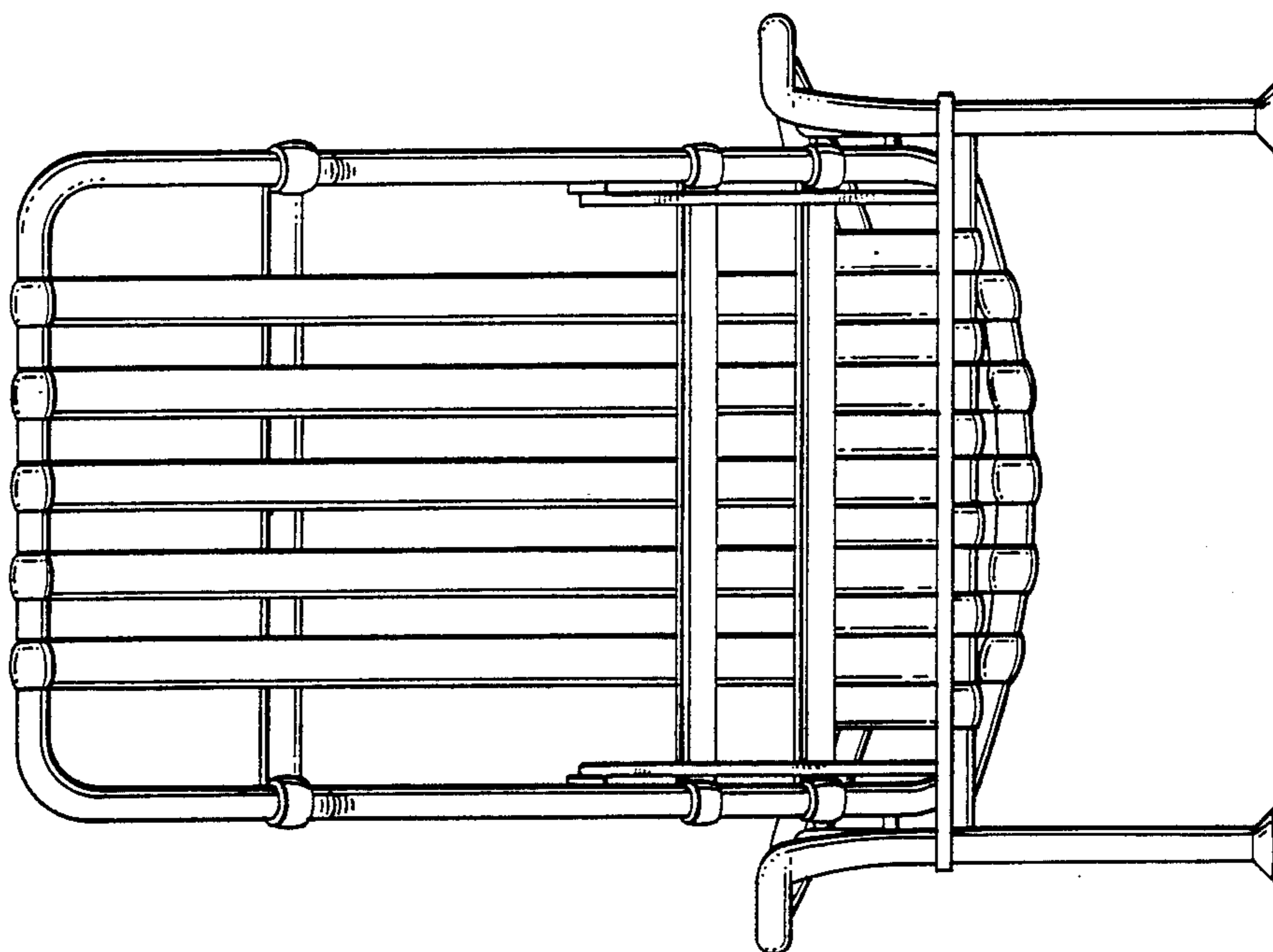


Fig. 9.

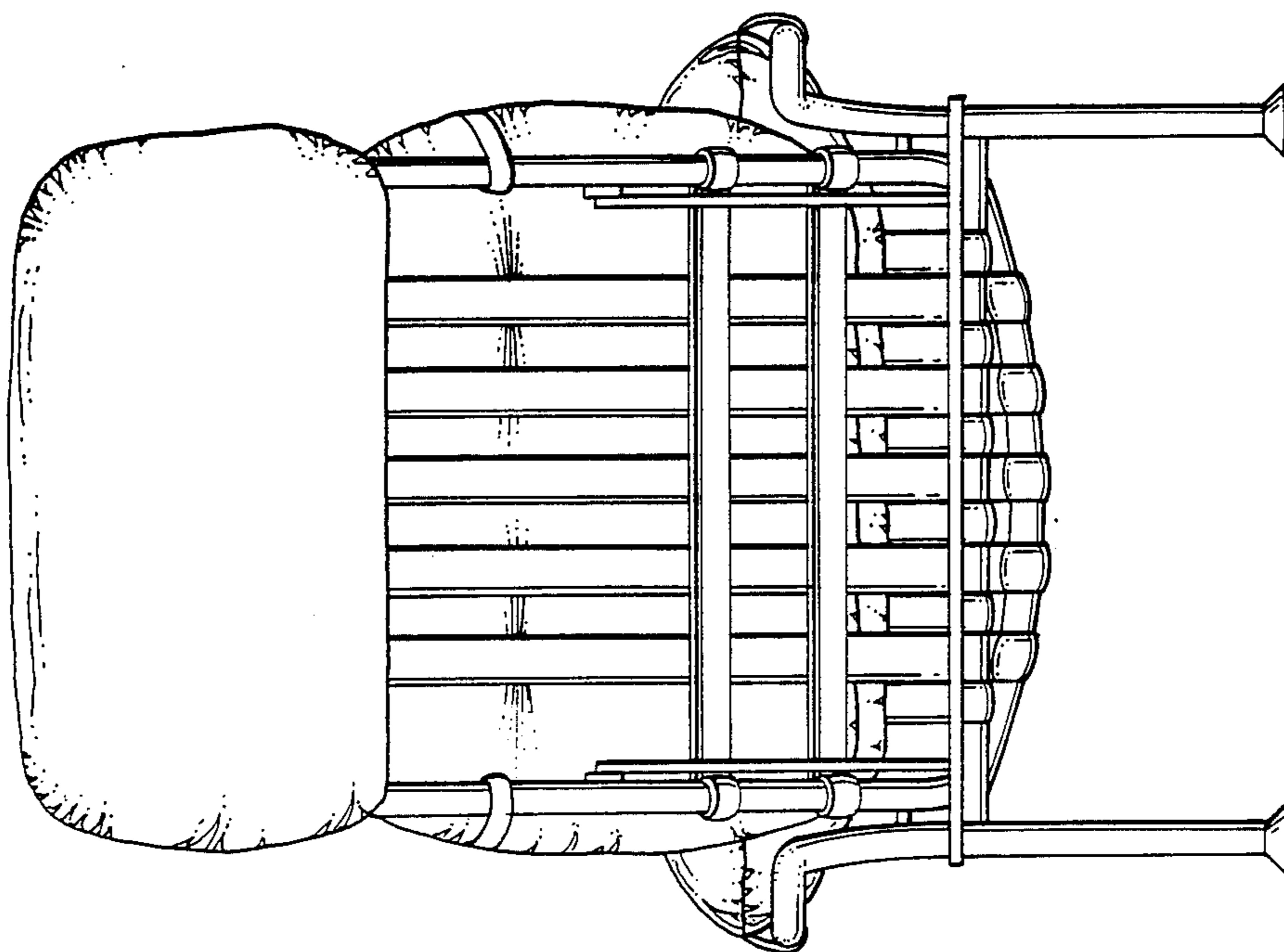


Fig. 5.

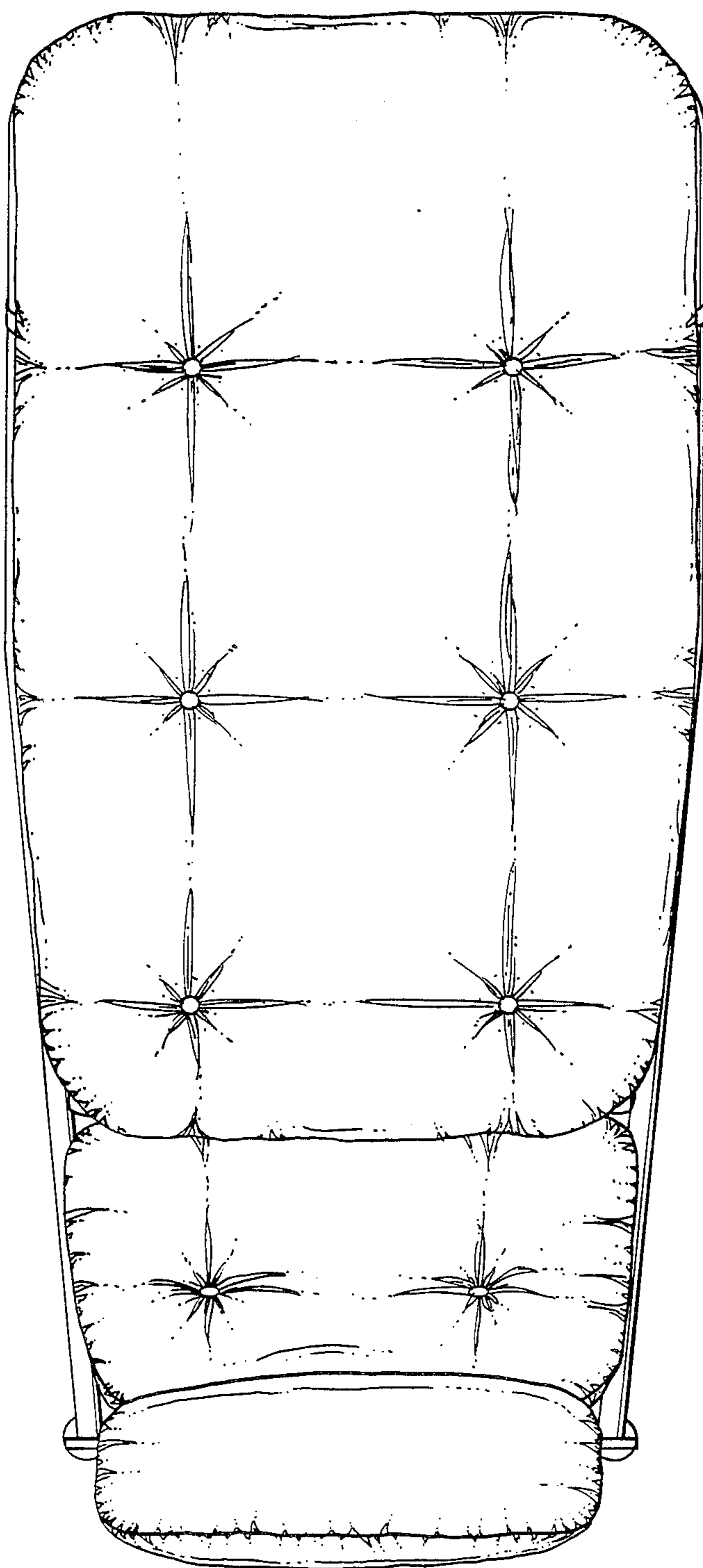


Fig. 6.

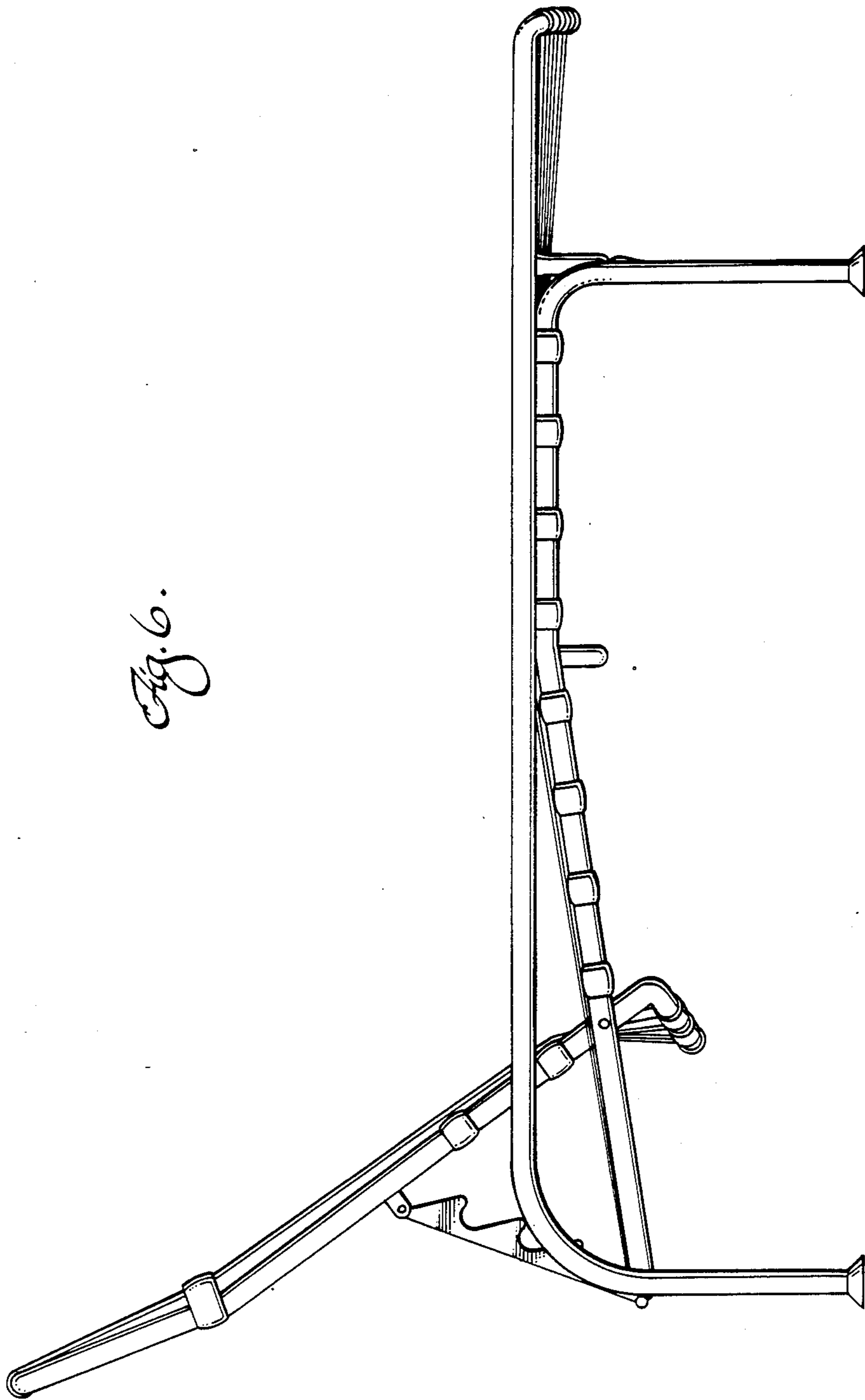


Fig. 9.

