

[54] KNIFE SCABBARD OR SIMILAR ARTICLE

[75] Inventors: Christopher Collins; Wallace Tench, both of South Yarra; Cvetan Petroff, Northcote; Alfred Blochlinger, South Yarra, all of Australia

[73] Assignee: McPherson's Limited, Melbourne, Australia

[**] Term: 14 Years

[21] Appl. No.: 803,910

[22] Filed: Nov. 6, 1985

[30] Foreign Application Priority Data

May 7, 1985 [AU] Australia 1161/85

[52] U.S. Cl. D3/102

[58] Field of Search D3/100, 101, 102, 103, D3/104, 105, 106; 224/232; 30/151

[56] References Cited

U.S. PATENT DOCUMENTS

- D. 115,248 6/1939 Cook D3/102
- D. 140,745 4/1945 Fairbairn et al. D3/102
- D. 205,769 9/1966 Beckwith D3/102

- 2,618,057 11/1952 Gibson 224/232
- 2,903,171 9/1959 Rutledge, Jr. 224/232

FOREIGN PATENT DOCUMENTS

- 2083599 3/1982 United Kingdom 224/232
- 2136341 9/1984 United Kingdom 224/232

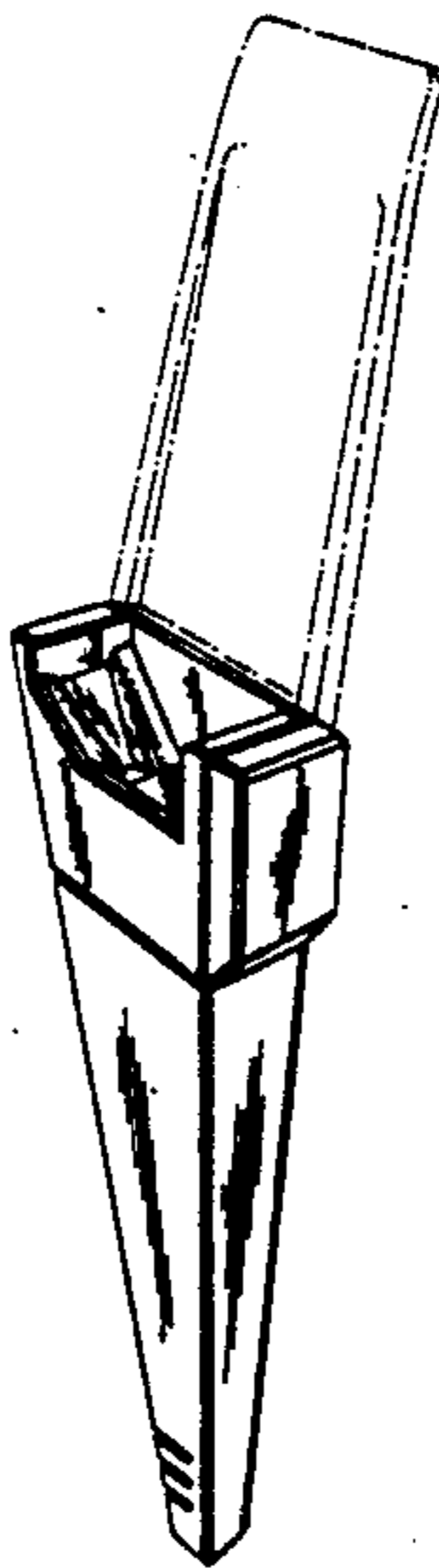
Primary Examiner—Carmen H. Vales
Attorney, Agent, or Firm—Berman, Aisenberg & Platt

[57] CLAIM

The ornamental design for a knife scabbard or similar article, as shown and described.

DESCRIPTION

FIG. 1 is a front elevational view of a knife scabbard or similar article showing our new design.
 FIG. 2 is a rear elevational view thereof.
 FIG. 3 is a left elevational view thereof.
 FIG. 4 is a right elevational view thereof.
 FIG. 5 is a top plan view thereof.
 FIG. 6 is a bottom plan view thereof.
 FIG. 7 is a left front perspective view thereof.
 The broken line showing of a guide plate in all views is for illustrative purposes only and forms no part of the claimed design.



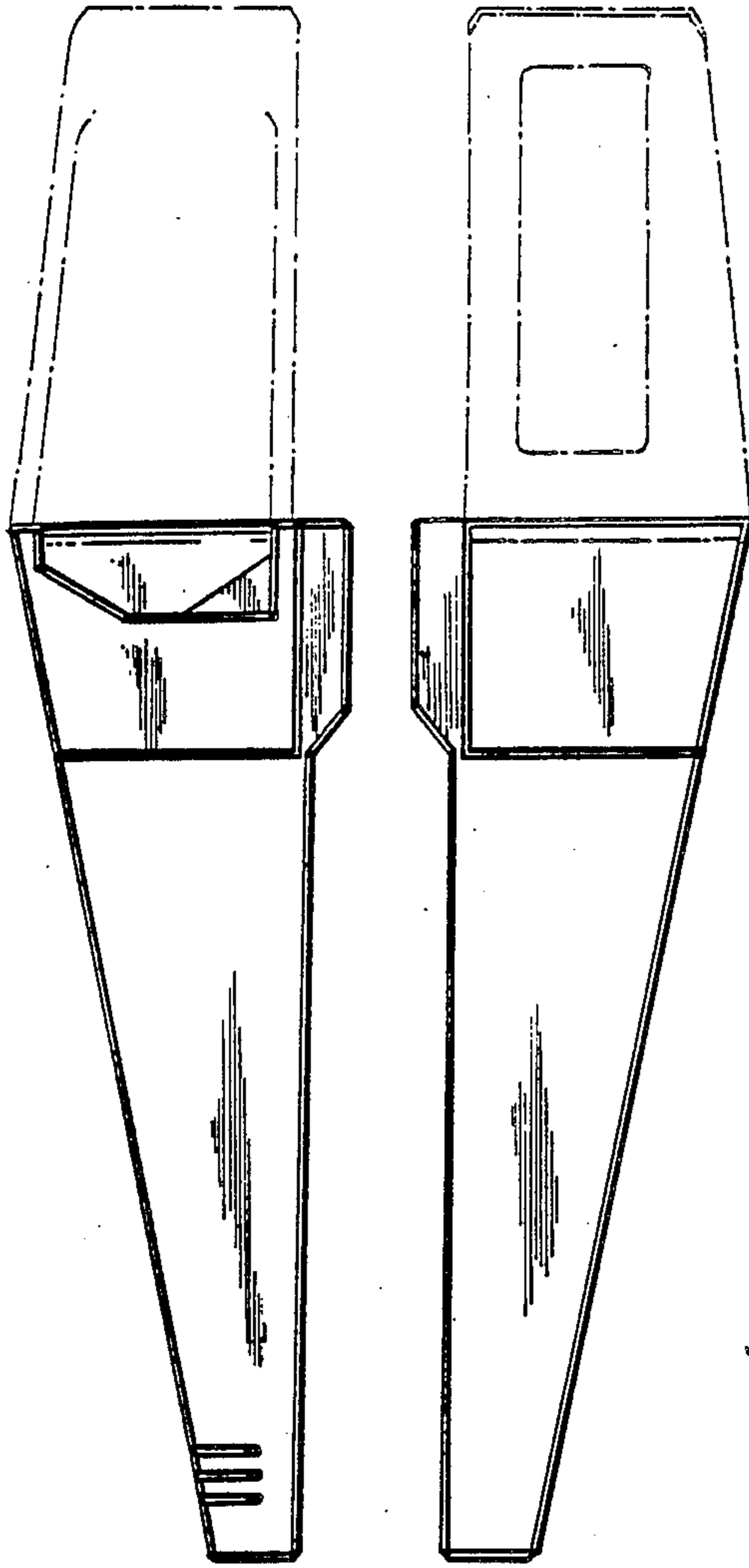


FIG 1

FIG 2

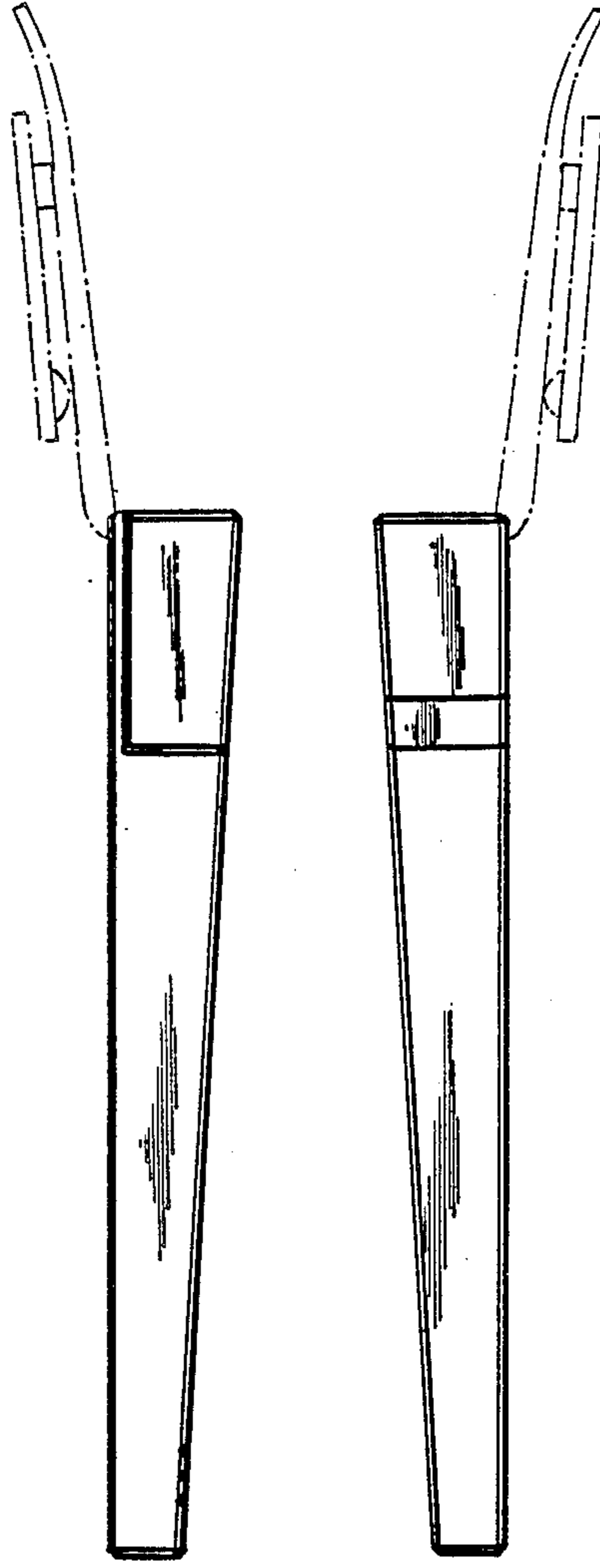


FIG 3

FIG 4

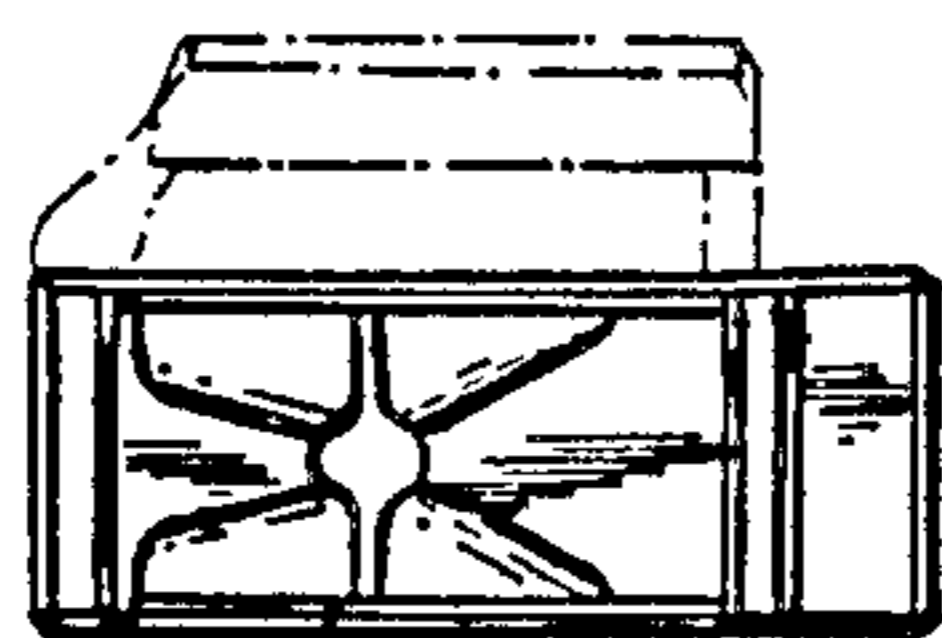


FIG 5

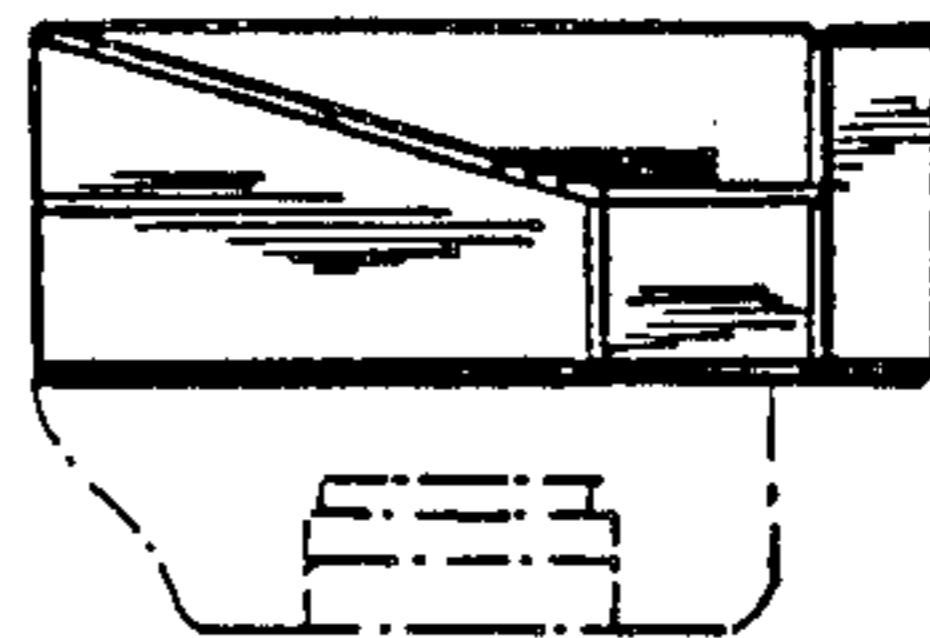


FIG 6

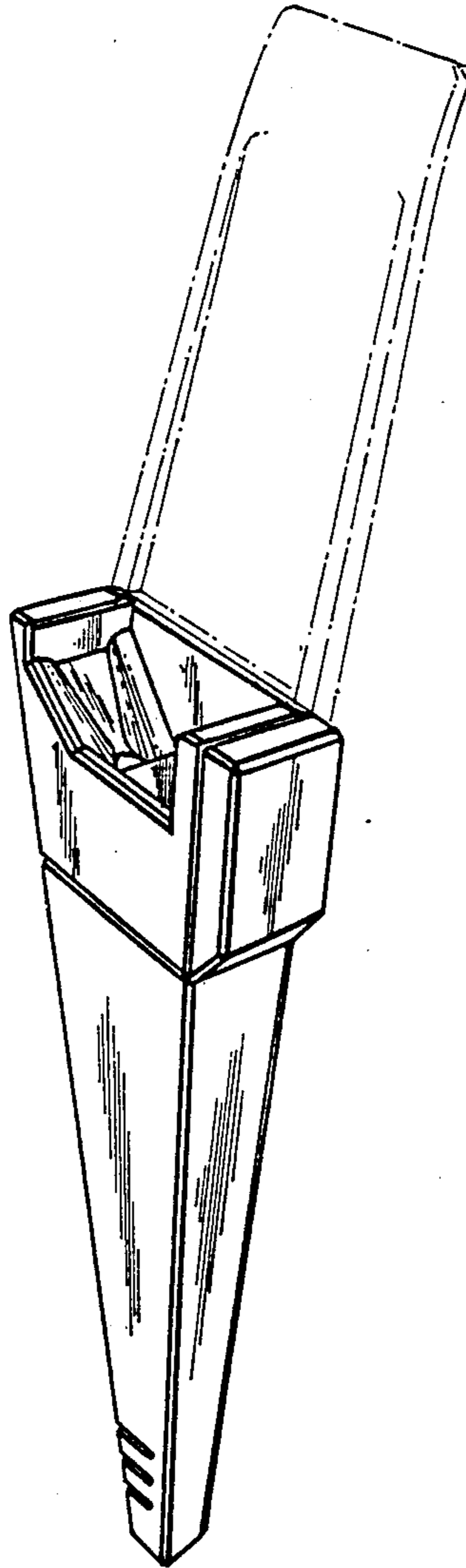


FIG 7