

United States Patent [19]

Peterson

[11] Patent Number: **Des. 296,485**

[45] Date of Patent: **** Jun. 28, 1988**

[54] **PET BOWL**

[76] Inventor: **Gerard Peterson, 20654 Eaglepass Dr., Malibu, Calif. 90265**

[**] Term: **14 Years**

[21] Appl. No.: **856,147**

[22] Filed: **Apr. 18, 1986**

[52] U.S. Cl. **D30/130**

[58] Field of Search **119/51.5, 61; D30/13-17, 129, 130**

[56] **References Cited**

U.S. PATENT DOCUMENTS

D. 105,812	8/1937	Siekert	D30/130
D. 156,331	12/1949	French	D30/16
D. 232,564	8/1974	Kissin	D30/129
D. 262,069	11/1981	Khider	D30/16
D. 269,386	6/1983	Khider	D30/16

2,543,465	2/1951	Morey	119/61
3,664,304	5/1972	Carter	119/61

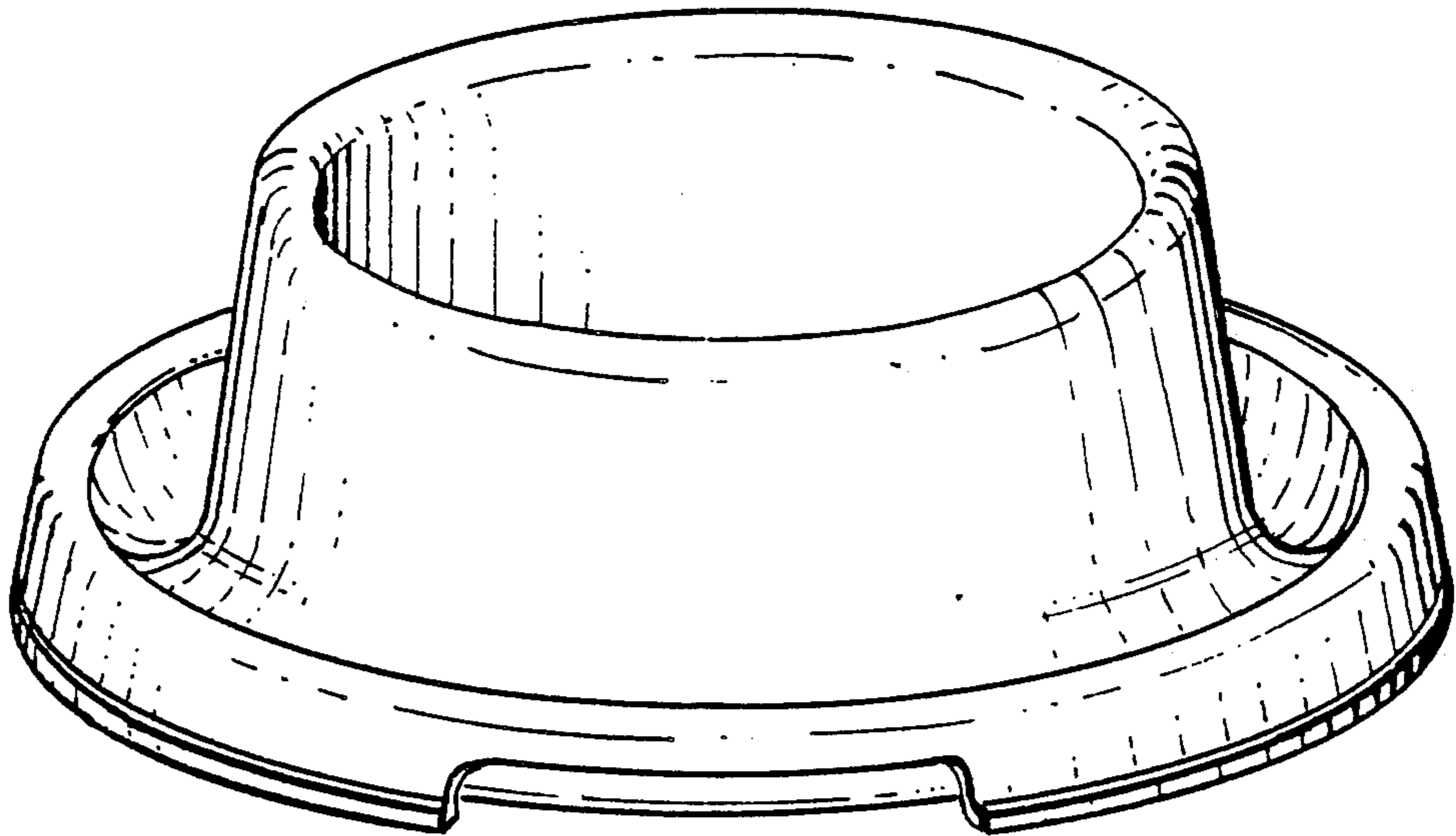
Primary Examiner—James R. Largen
Attorney, Agent, or Firm—W. Edward Johansen

[57] **CLAIM**

The ornamental design for a pet bowl, as shown and described.

DESCRIPTION

FIG. 1 is a top perspective view of a pet bowl showing my new design;
 FIG. 2 is a top plan view thereof;
 FIG. 3 is a front elevational view thereof, the rear being the same as the front shown;
 FIG. 4 is a bottom plan view thereof;
 FIG. 5 is a side elevational view thereof, the opposite side being the same as the side shown;
 FIG. 6 is a cross-sectional view taken on line 6—6 of FIG. 2.



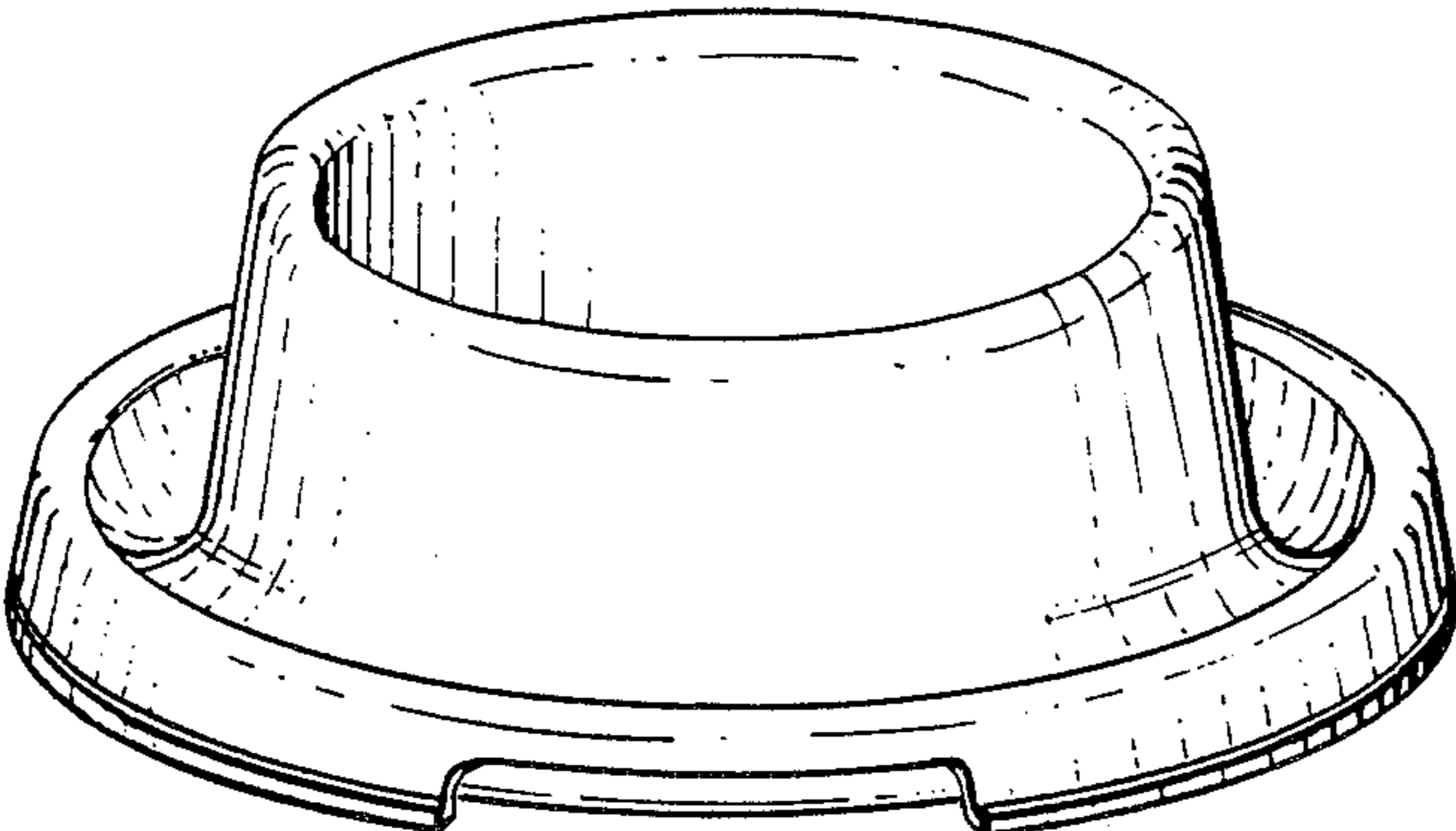


Fig. 1.

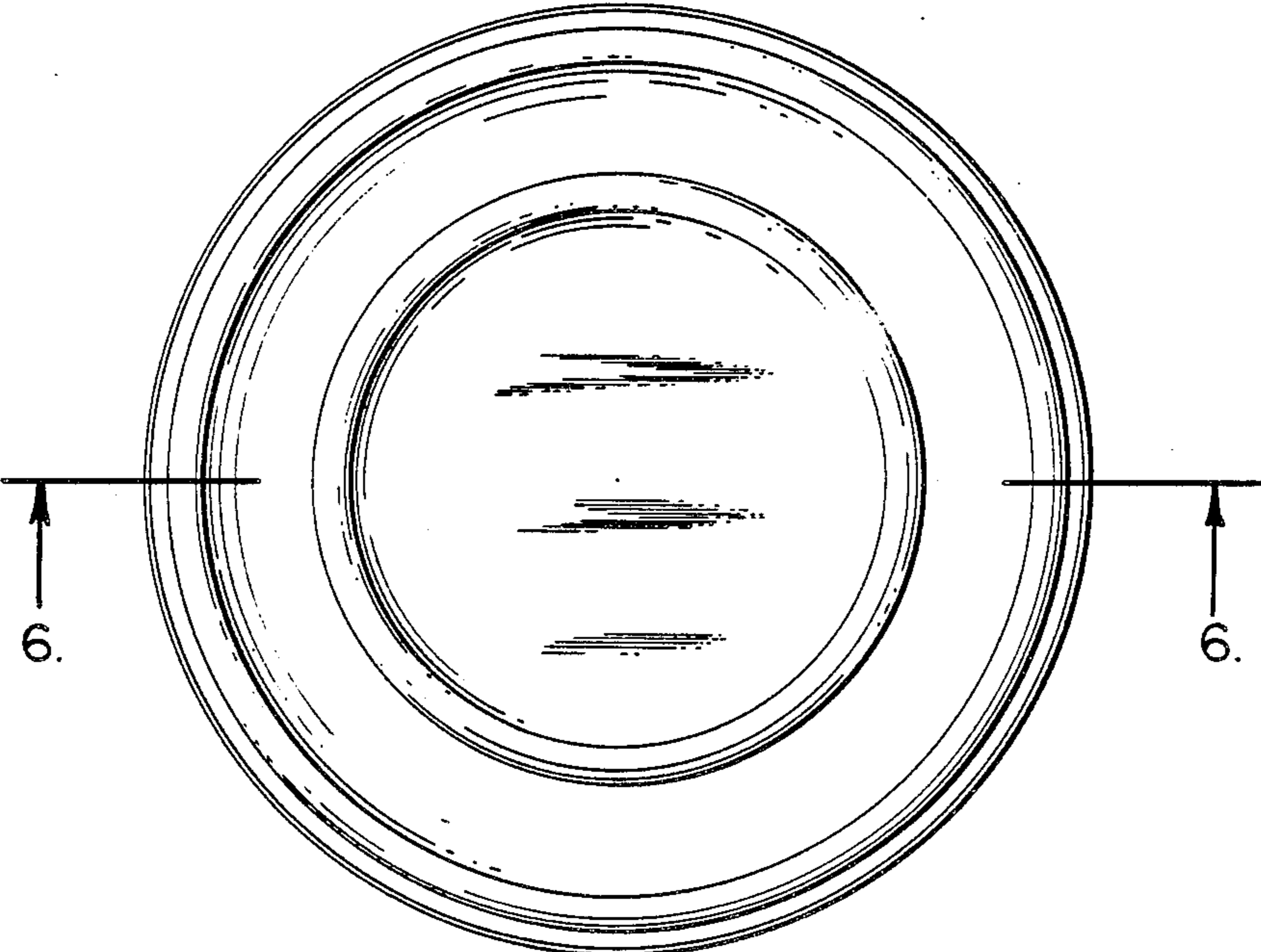


Fig. 2.

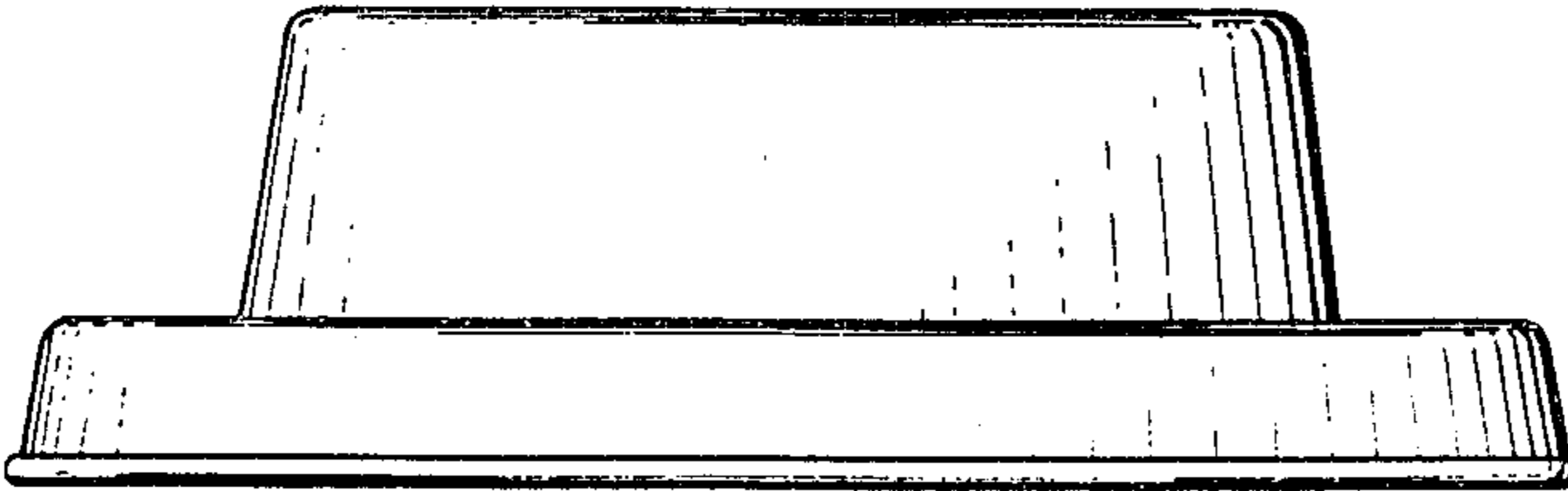


Fig. 3.

Fig. 4.

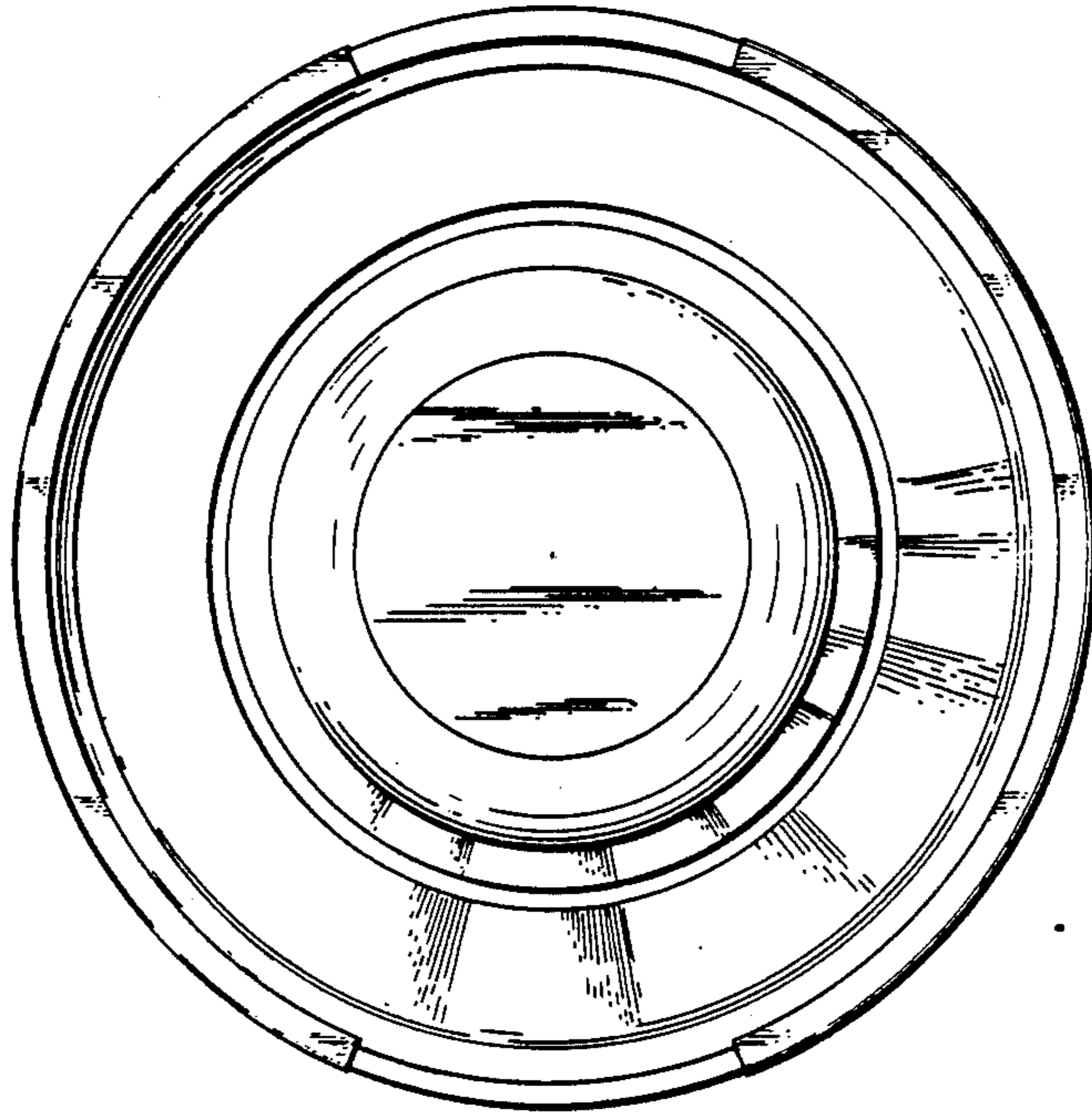


Fig. 5.

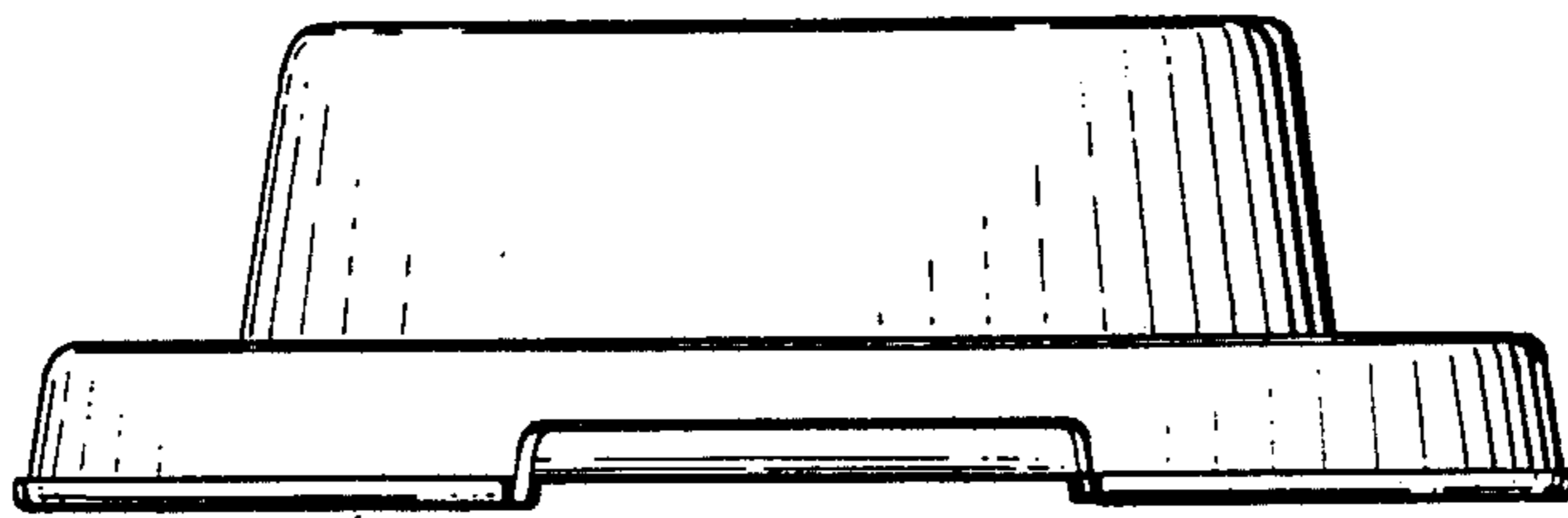


Fig. 6.

