

[54] SAFETY BELT BUCKLE FOR A LIFEBOAT CHAIR OR THE LIKE

[76] Inventor: Havard K. Mathiesen, Auglendsdalen 89, N-4000 Stavanger, Norway

[**] Term: 14 Years

[21] Appl. No.: 742,438

[22] Filed: Jun. 7, 1985

[30] Foreign Application Priority Data

| | | | |
|----------------------|--------|-------------------|-------|
| Jan. 30, 1985 [NO] | Norway | | 65946 |
| [52] U.S. Cl. | | D29/99 | |
| [58] Field of Search | | D29/10, 11, 99; | |
| | | 297/465, 467, 468 | |

[56] References Cited

FOREIGN PATENT DOCUMENTS

2852995 6/1980 Fed. Rep. of Germany 297/468

Primary Examiner—Carmen H. Vales
Attorney, Agent, or Firm—Foley & Lardner, Schwartz, Jeffery, Schwaab, Mack, Blumenthal & Evans

[57] CLAIM

The ornamental design for a safety belt buckle for a lifeboat chair or the like, substantially as shown.

DESCRIPTION

FIG. 1 is front elevational view of a belt buckle for a lifeboat chair or the like showing my new design; FIG. 2 is a front elevational view in unbuckled condition; FIG. 3 is a rear elevational view thereof; and FIG. 4 is a bottom plan view thereof.

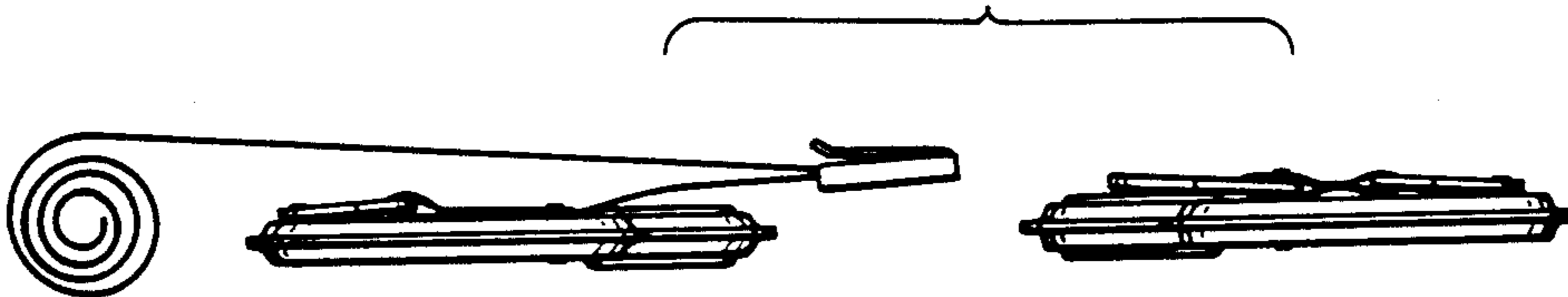
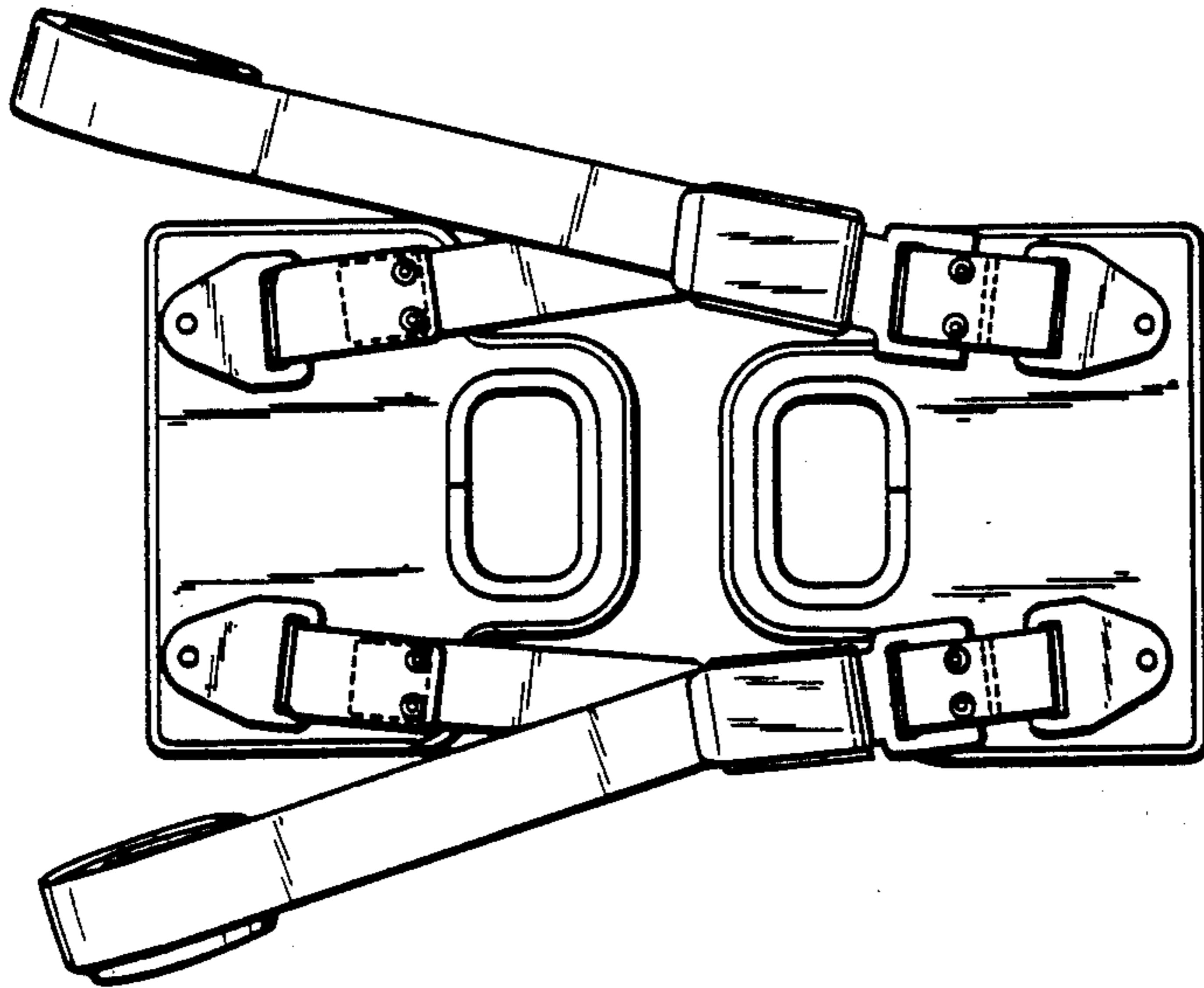


Fig. 1

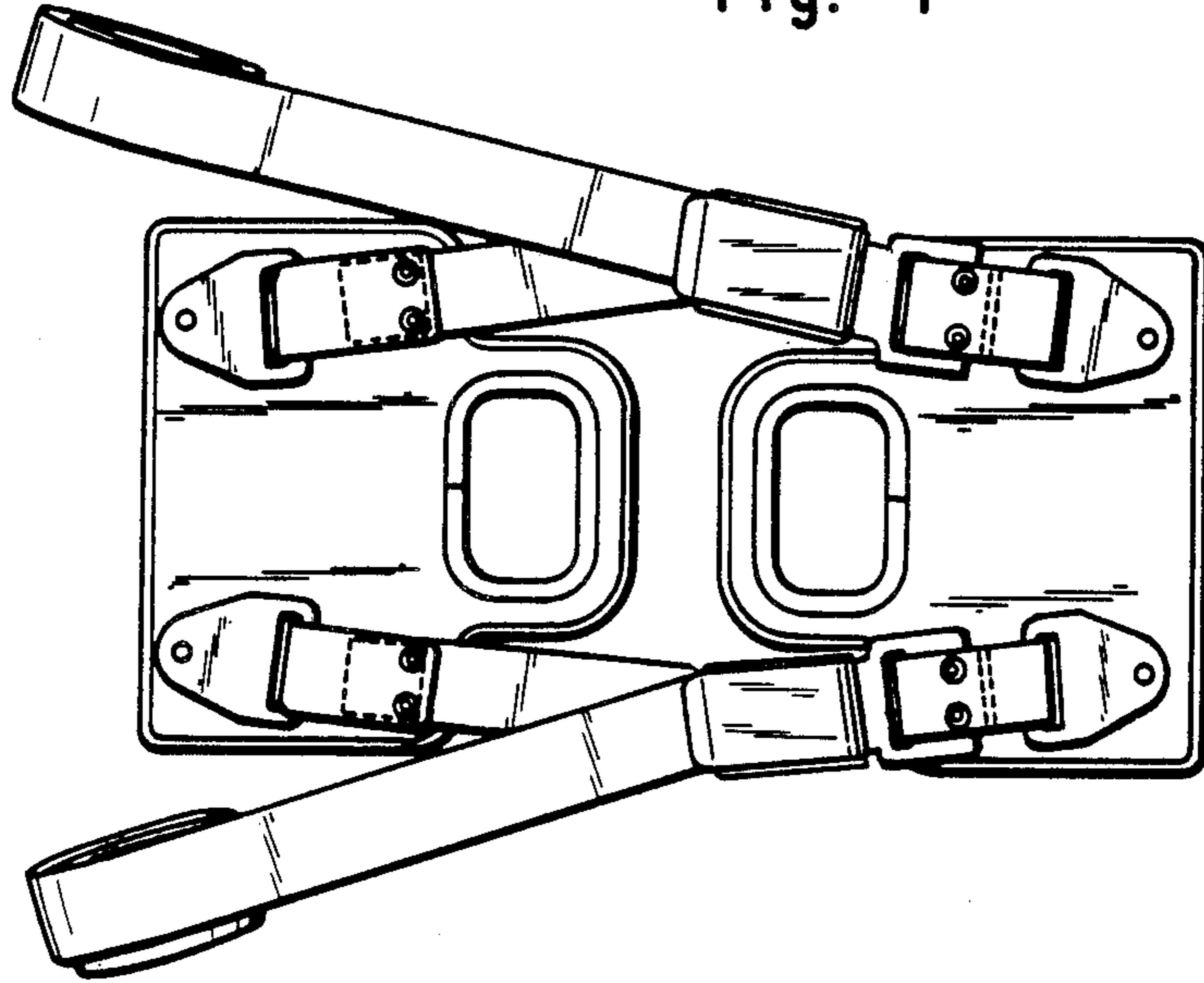


Fig. 2

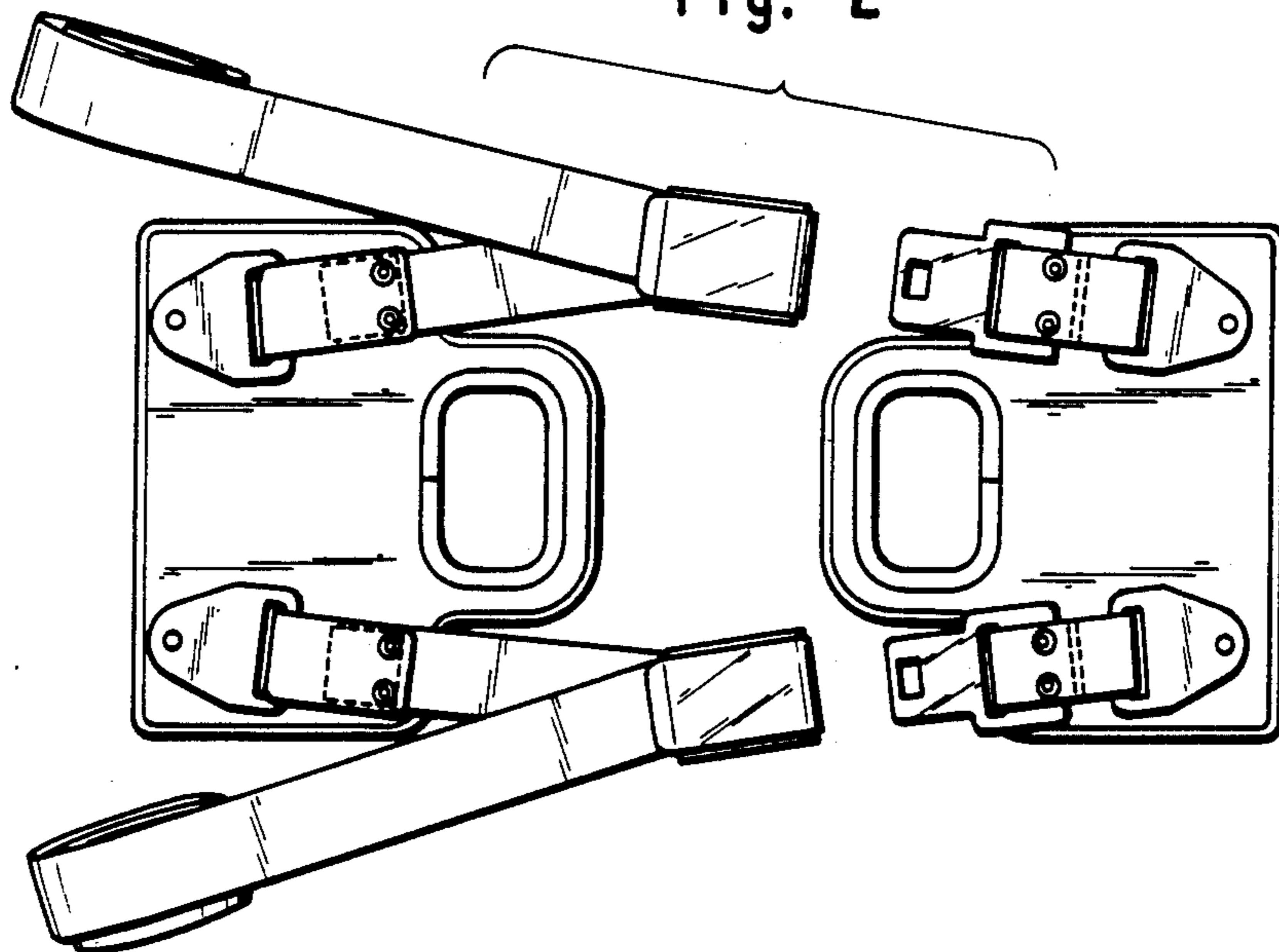


Fig. 3

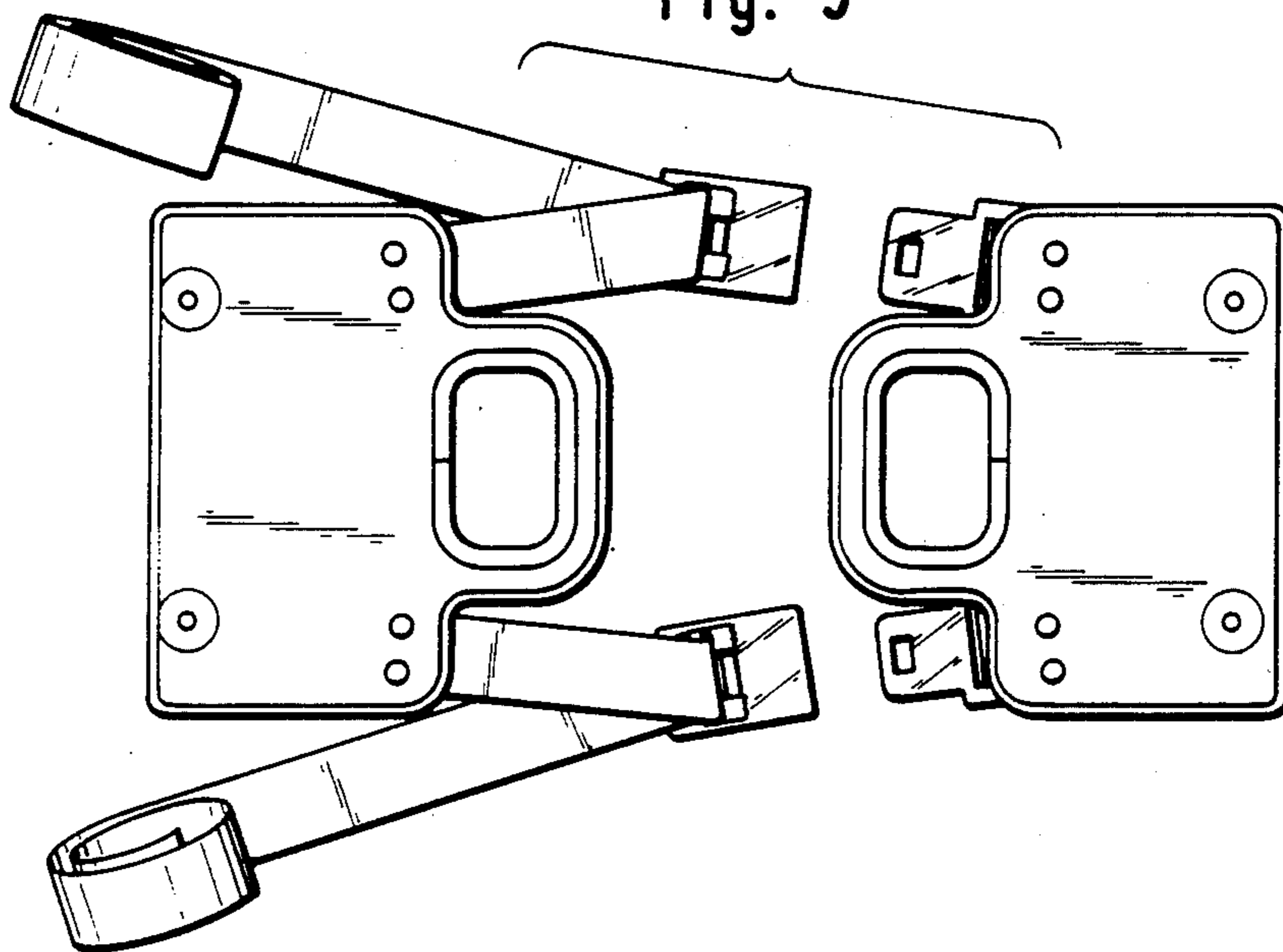


Fig. 4

