

[54] DRY SHAVER

[75] Inventor: Masaru Miyazaki, Tokyo, Japan

[73] Assignee: U.S. Philips Corporation, New York, N.Y.

[\*\*] Term: 14 Years

[21] Appl. No.: 878,100

[22] Filed: Jun. 25, 1986

[52] U.S. Cl. .... D28/50

[58] Field of Search ..... D28/44-54;  
30/32, 34 R, 34.1, 41.9, 43-43.92, 42, 44, 45, 90

[56] **References Cited**

**U.S. PATENT DOCUMENTS**

D. 250,211 11/1978 Takagi et al. .... D28/50

D. 268,371 3/1983 Iwai et al. .... D28/49  
D. 279,509 7/1985 Abe et al. .... D28/49  
D. 285,979 9/1986 Satoh et al. .... D28/50

*Primary Examiner*—Louis S. Zarfes  
*Attorney, Agent, or Firm*—Rolf E. Schneider

[57] **CLAIM**

The ornamental design for a dry shaver, as shown.

**DESCRIPTION**

FIG. 1 is a front, top and right side perspective view showing my new design;

FIG. 2 is a front elevational view thereof;

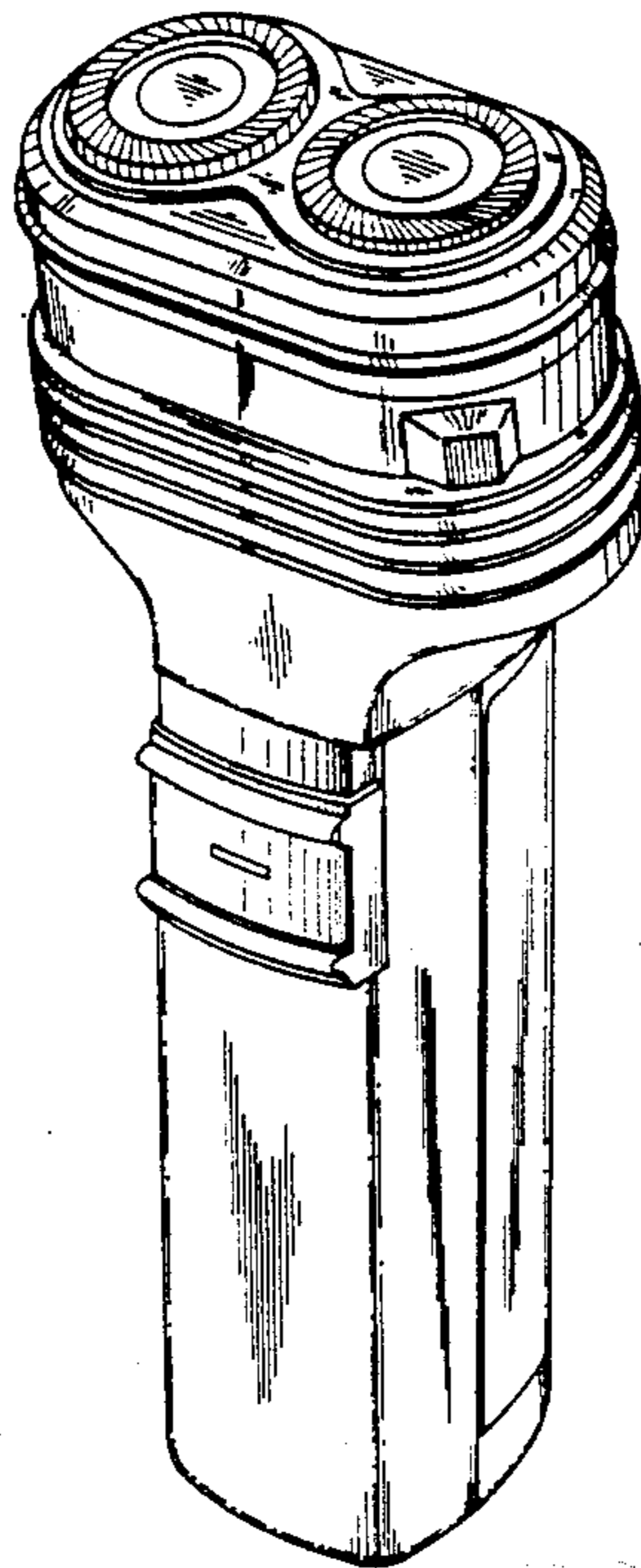
FIG. 3 is a rear elevational view thereof;

FIG. 4 is a top plan view thereof;

FIG. 5 is a bottom plan view thereof;

FIG. 6 is a right side elevational view thereof; and

FIG. 7 is a left side elevational view thereof.



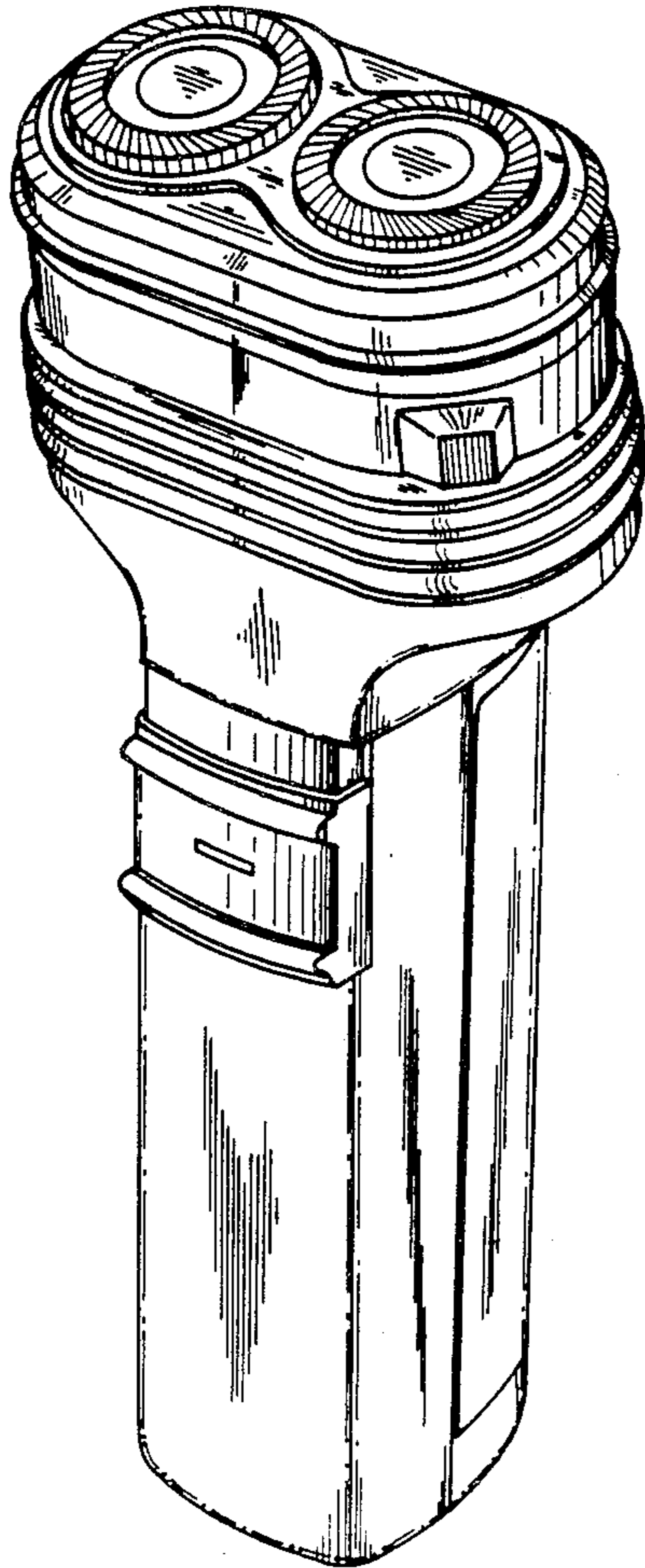


FIG. 1

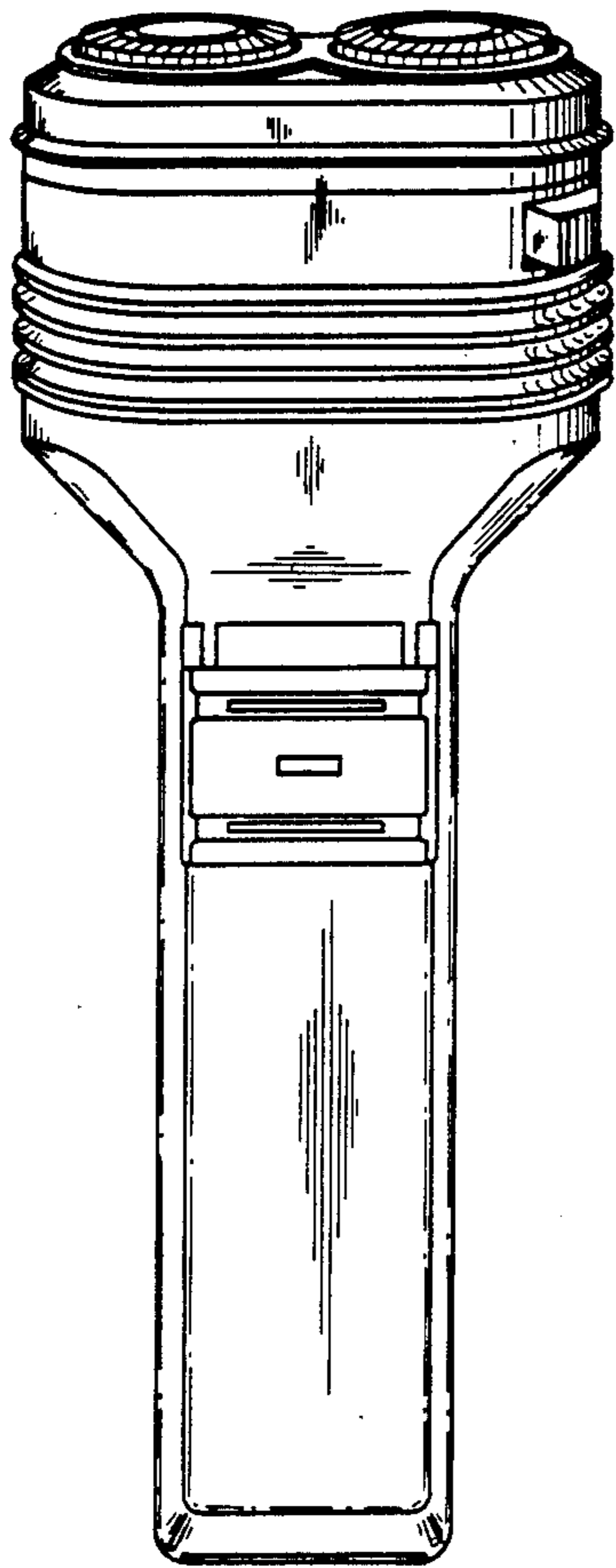


FIG. 2

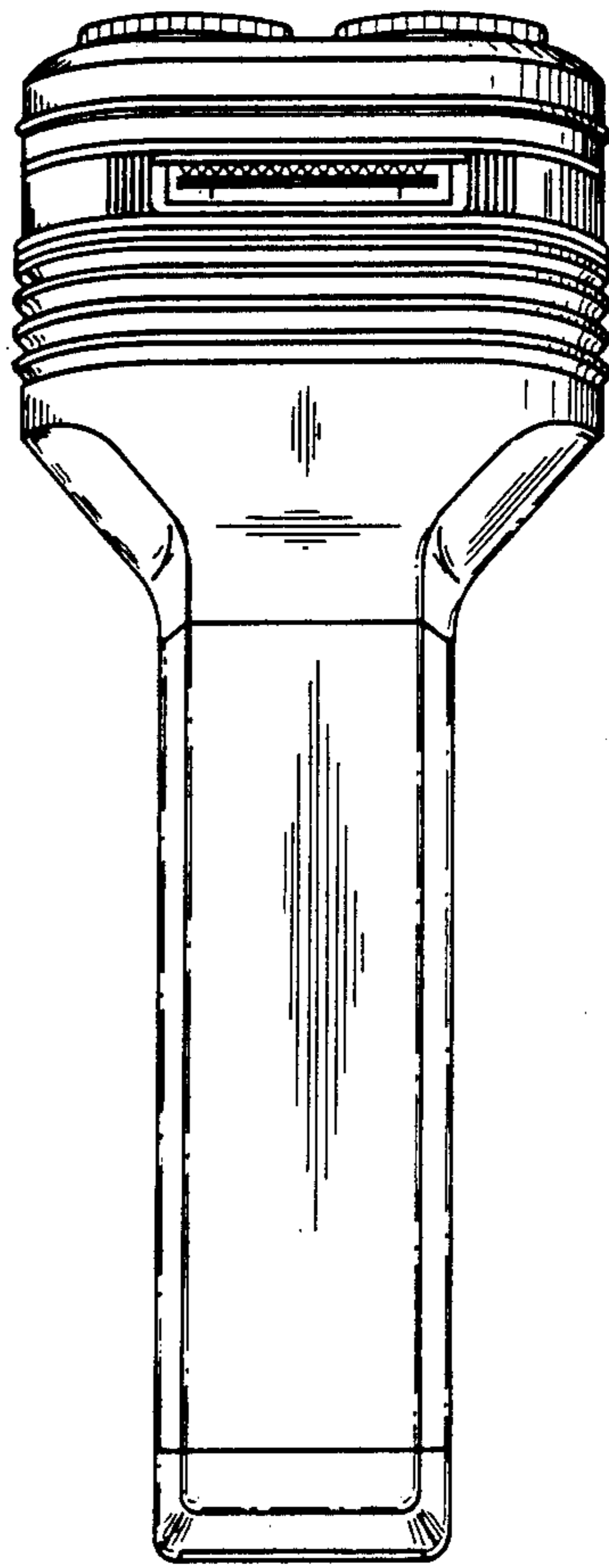


FIG. 3

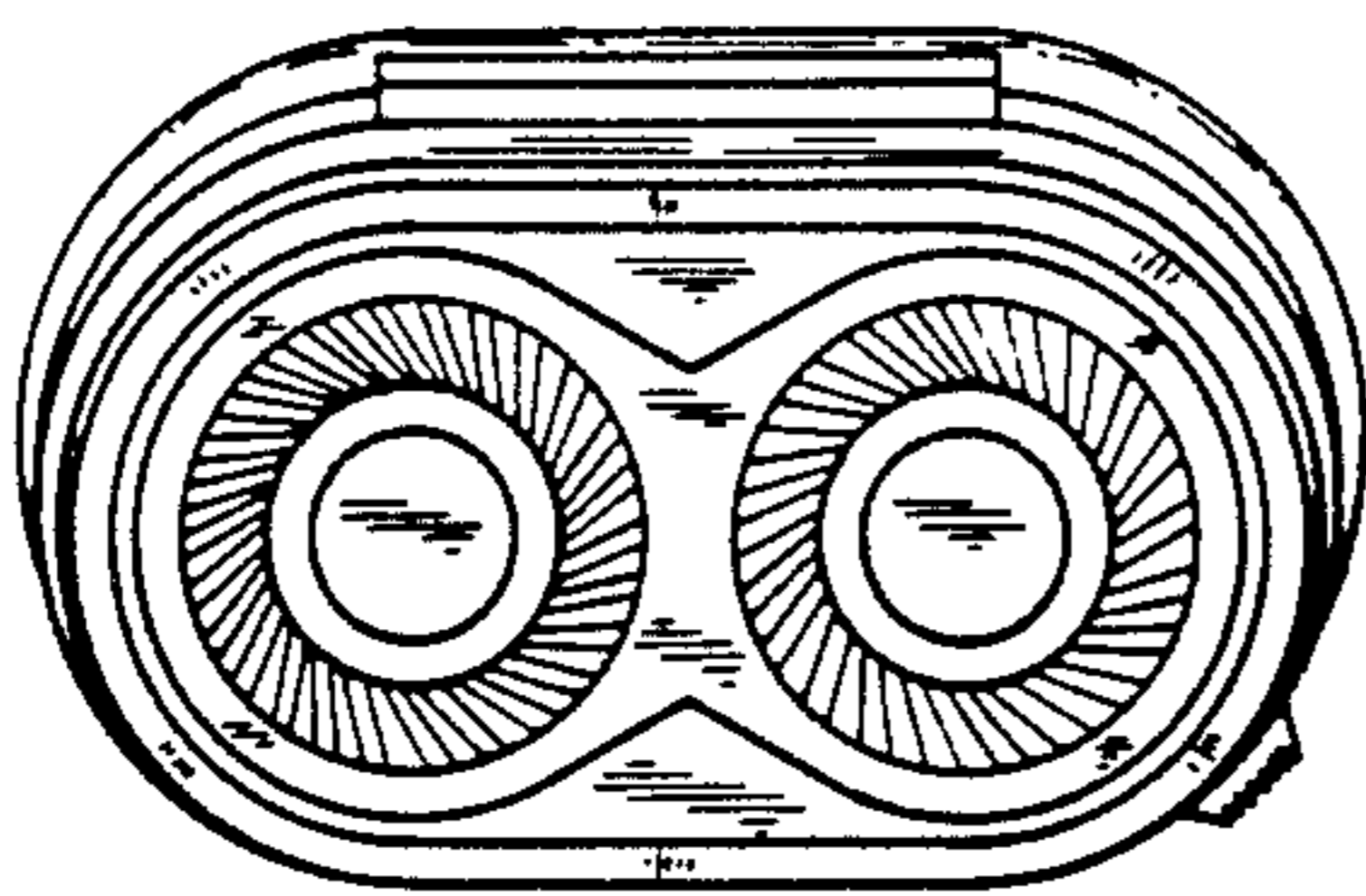


FIG. 4

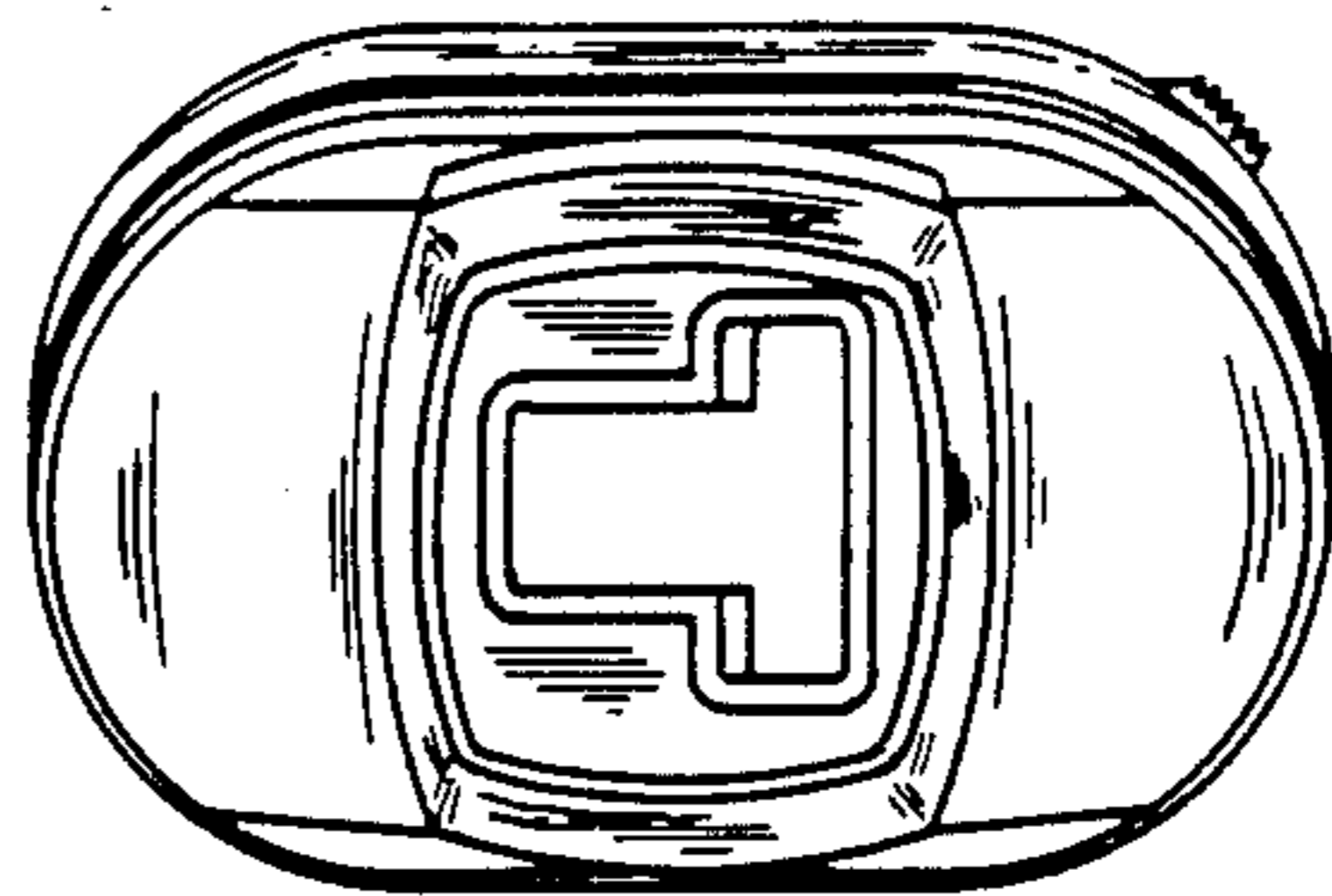


FIG. 5

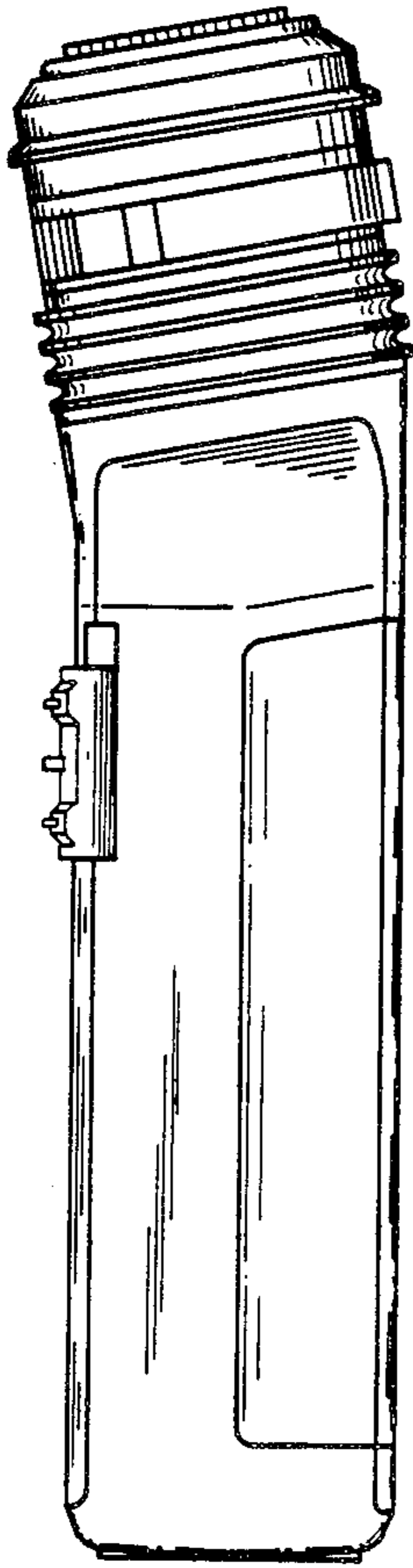


FIG. 6

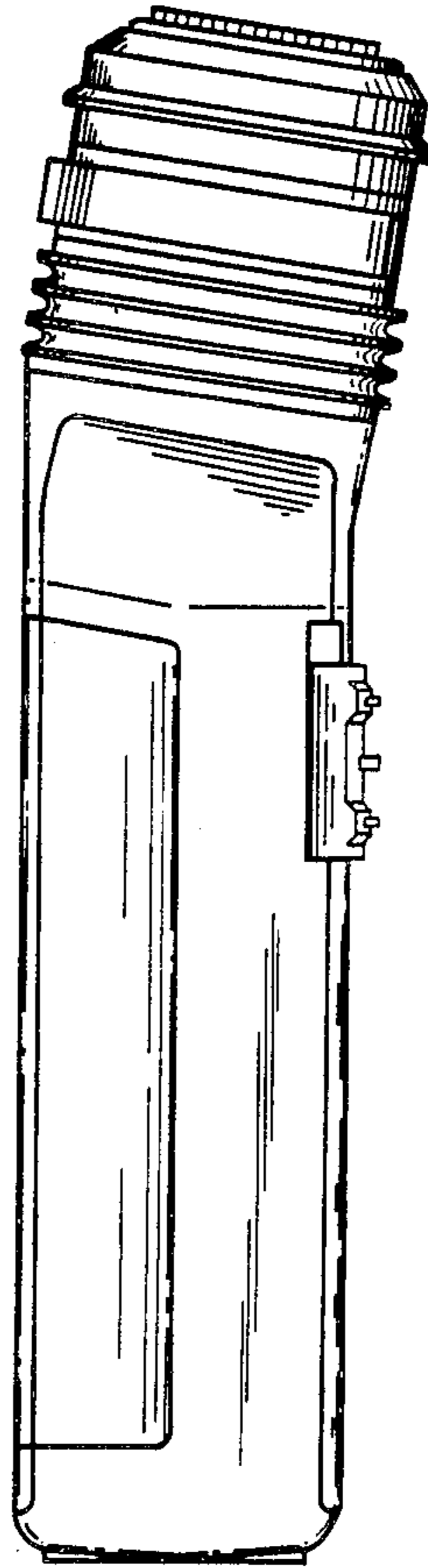


FIG. 7