

[54] FLASHLIGHT

[75] Inventors: David H. Powell, London; David E. Maddison, Pullborough; Richard W. Seymour, Surrey; Veronica G. Steel, London, all of England

[73] Assignee: Duracell Inc., Bethel, Conn.

[**] Term: 14 Years

[21] Appl. No.: 781,610

[22] Filed: Sep. 27, 1985

[30] Foreign Application Priority Data

Apr. 2, 1985 [GB] United Kingdom 1025931
[52] U.S. Cl. D26/49
[58] Field of Search D26/37-50;
362/157, 158, 183-208

[56]

References Cited

U.S. PATENT DOCUMENTS

D. 281,280 11/1985 Schosser et al. D26/46
D. 285,356 8/1986 Schosser et al. D26/49
D. 291,010 7/1987 Fenne D26/46
3,017,502 1/1962 Dent D26/49 X

Primary Examiner—Susan J. Lucas
Attorney, Agent, or Firm—Ronald S. Cornell; James B. McVeigh

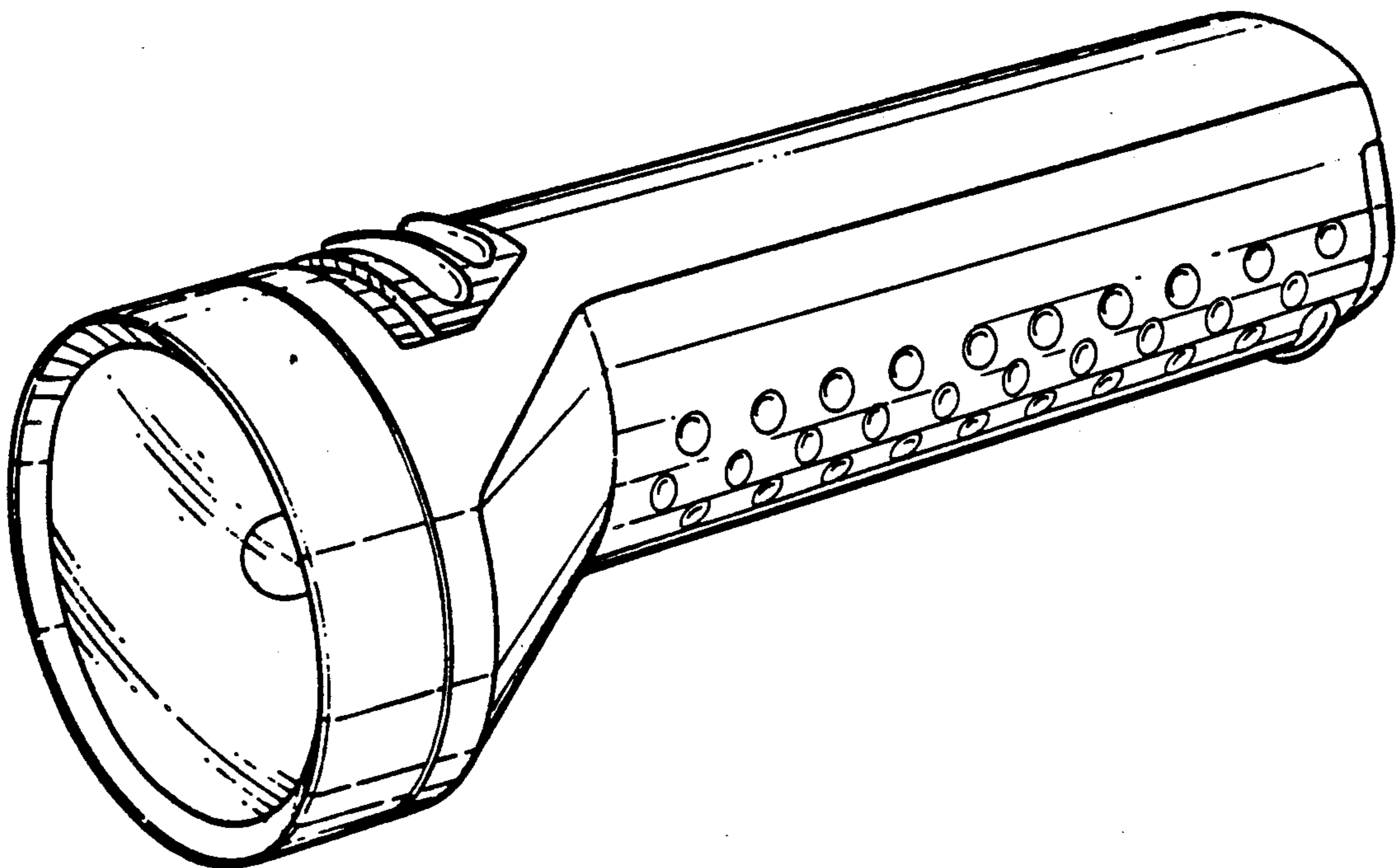
[57]

CLAIM

The ornamental design for a flashlight, substantially shown and described.

DESCRIPTION

FIG. 1 is a left side elevational view of a flashlight embodying our new design, the right side being a mirror image;
FIG. 2 is a top plan view thereof;
FIG. 3 is a bottom plan view thereof
FIG. 4 is a top, front and left side isometric view thereof;
FIG. 5 is a front elevational view thereof; and
FIG. 6 is a rear elevational view thereof.



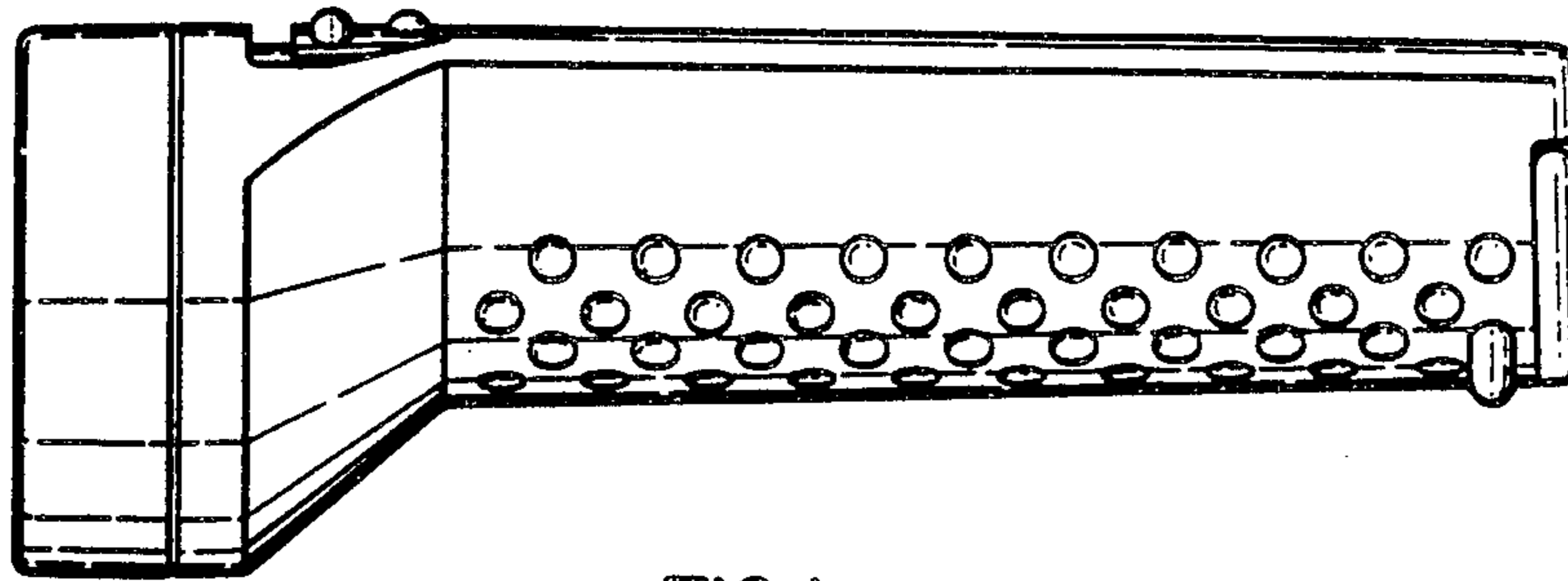


FIG. 1

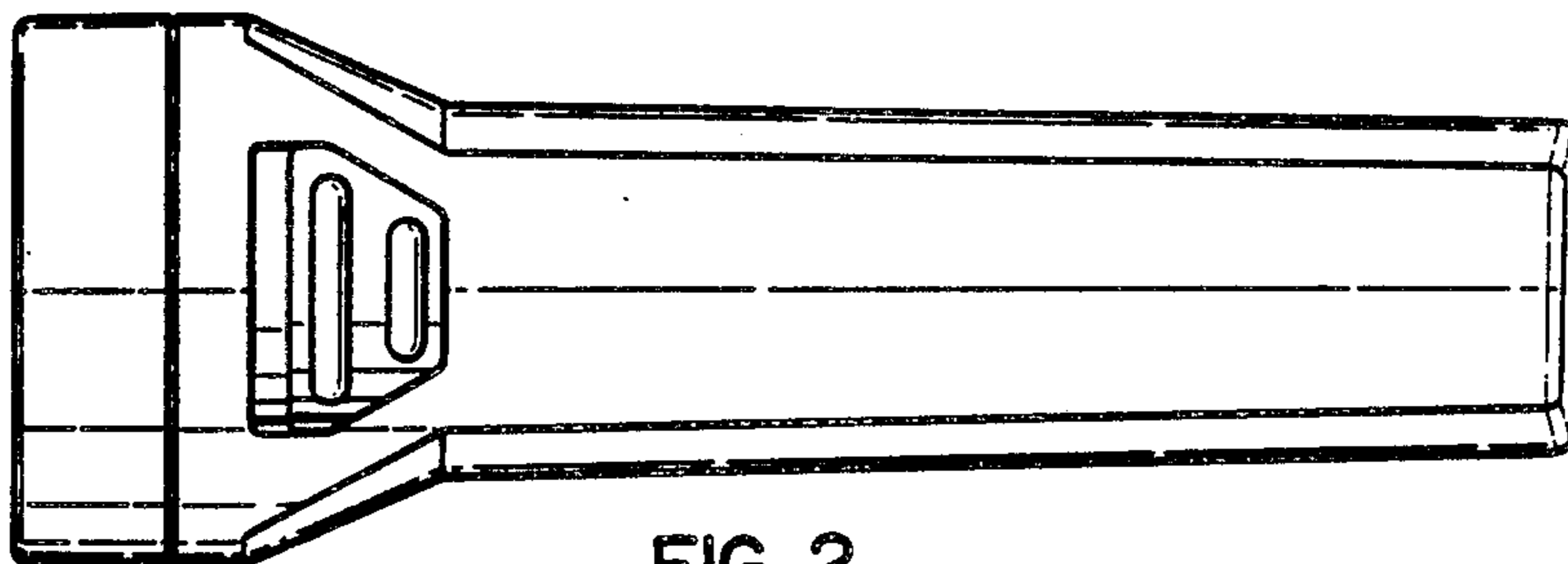


FIG. 2

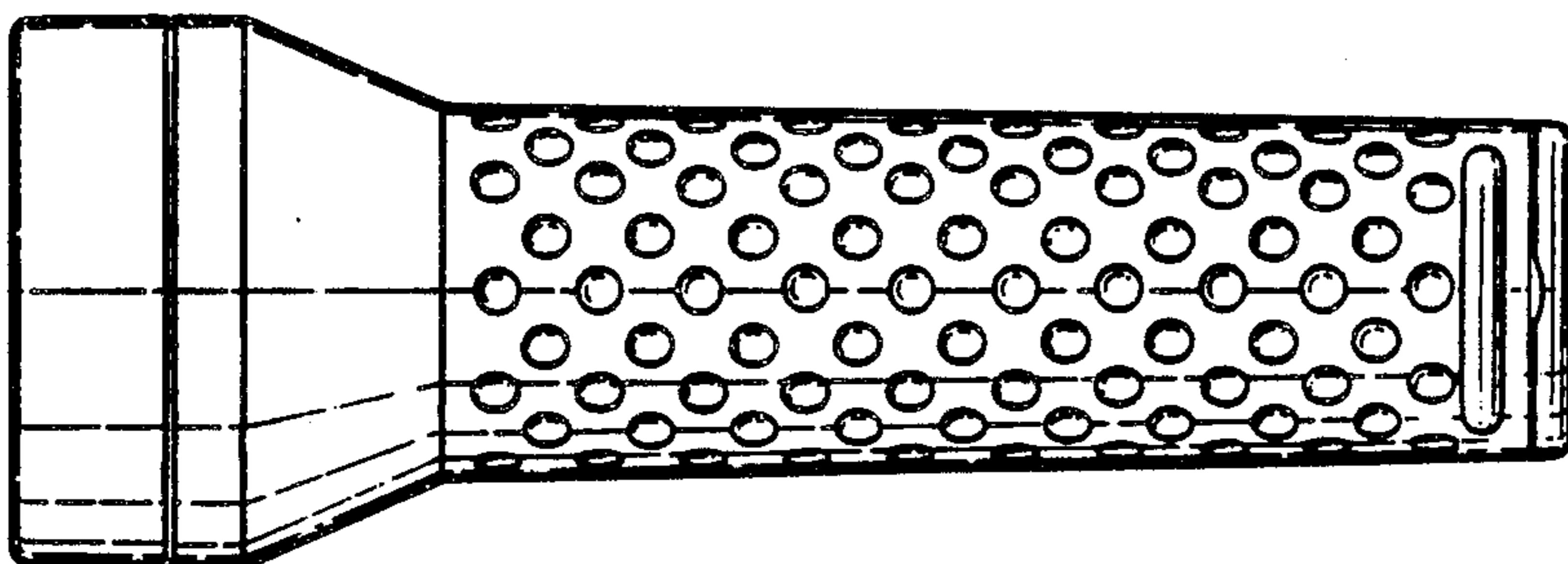


FIG. 3

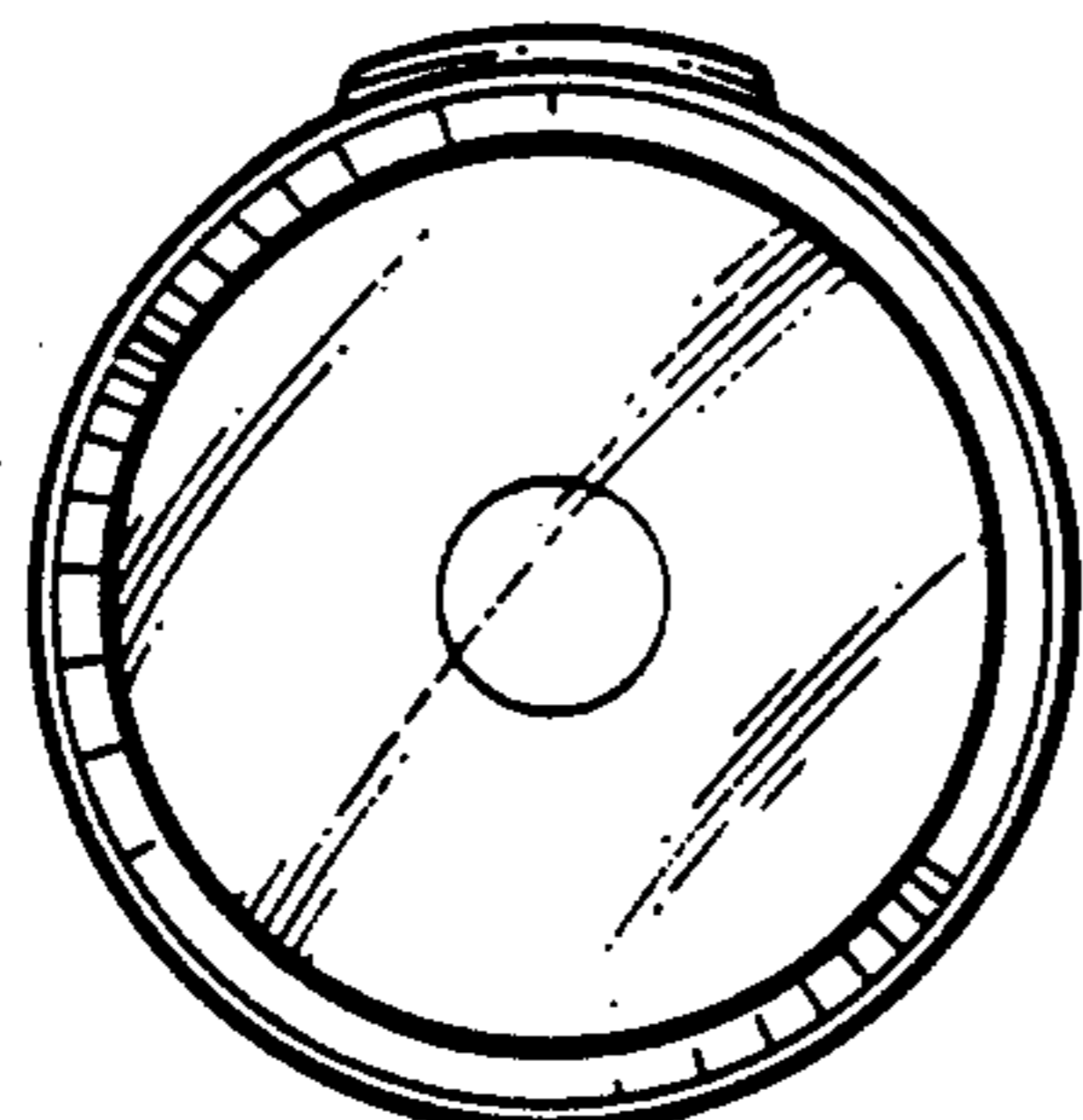


FIG. 5

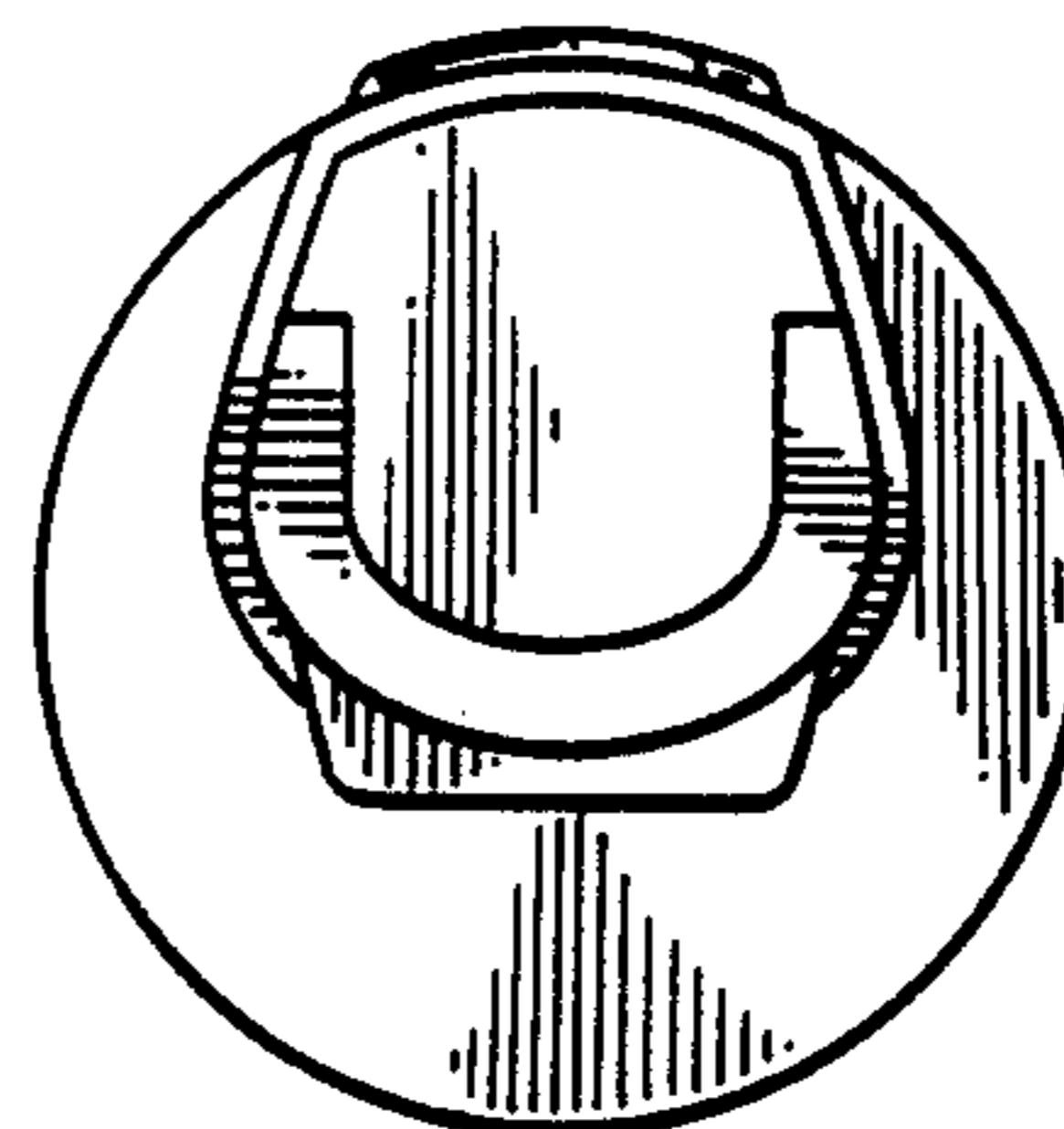


FIG. 6

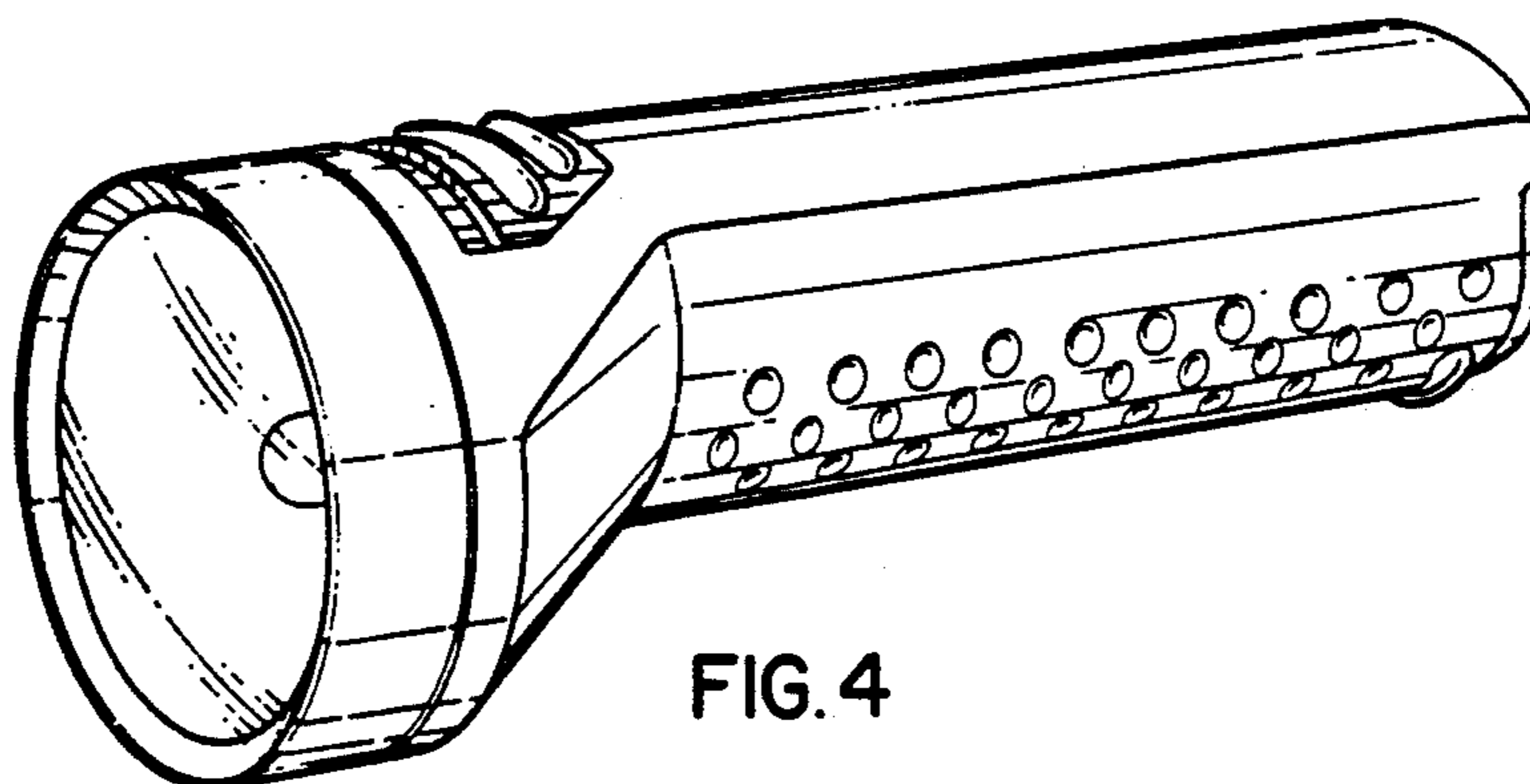


FIG. 4