

[54] BOAT-MOUNTED SIGNAL LIGHT TO INDICATE THE PRESENCE OF WATER SKIERS

[76] Inventors: Sherman Kline; Louise Kline, both of P.O. Box 8, Amana, Iowa 52203

[**] Term: 14 Years

[21] Appl. No.: 705,383

[22] Filed: Feb. 25, 1985

[52] U.S. Cl. D26/28; D10/114

[58] Field of Search D26/37-51; 362/157, 158, 183-191, 194-205, 431; 441/13, 16, 17, 18; D10/114

[56] References Cited

U.S. PATENT DOCUMENTS

- D. 261,116 10/1981 Repak D10/114
- D. 277,893 3/1985 Finnern D26/40

- 1,530,804 3/1925 Anundi 441/16
- 2,320,222 5/1943 Crupi 362/158 X
- 2,765,481 10/1956 Manhart et al. 441/17
- 3,122,736 2/1964 Weber 340/321 X
- 4,099,282 7/1978 Townsend 441/16
- 4,464,129 8/1984 Vancheri et al. 441/16

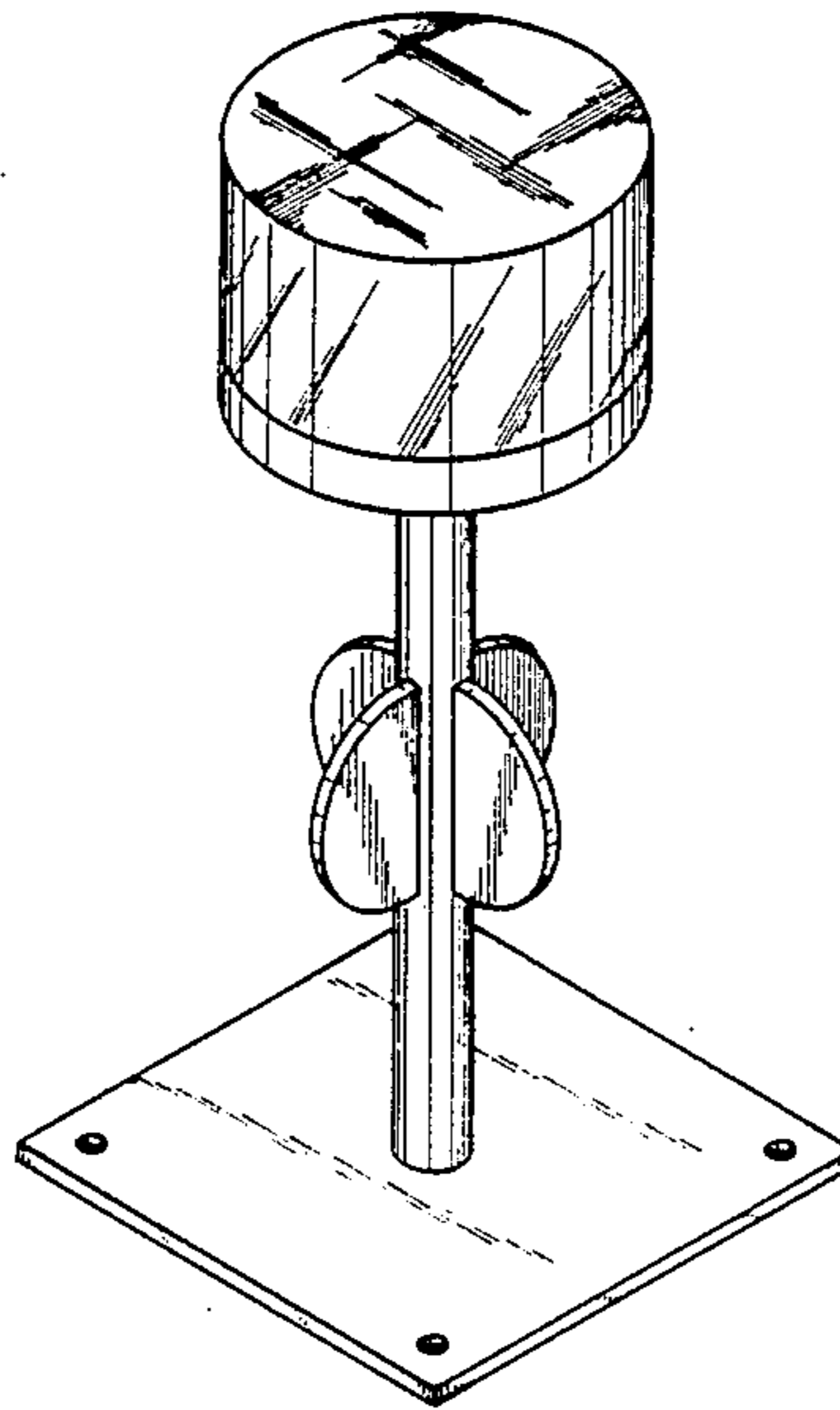
Primary Examiner—Susan J. Lucas
Attorney, Agent, or Firm—Terry M. Gernstein

[57] CLAIM

The ornamental design for a boat-mounted signal light to indicate the presence of water skiers, as shown and described.

DESCRIPTION

FIG. 1 is a side perspective view of a boat mounted safety light for water skiers showing my new design; FIG. 2 is a top plan view thereof on a reduced scale; FIG. 3 is a bottom plan view thereof on a reduced scale; FIG. 4 is an elevational view thereof on a reduced scale taken from the side opposite that shown in FIG. 1.



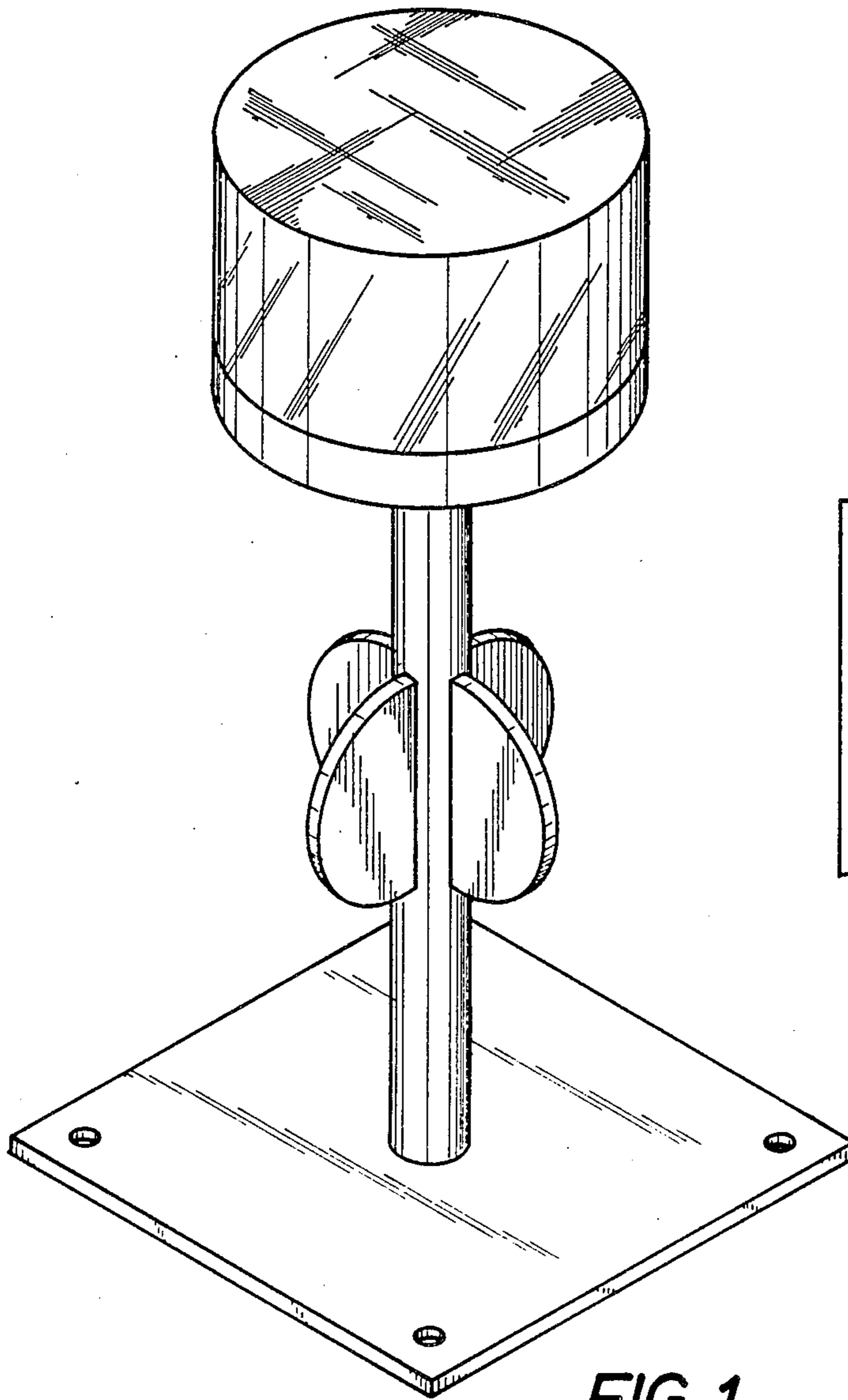


FIG 1

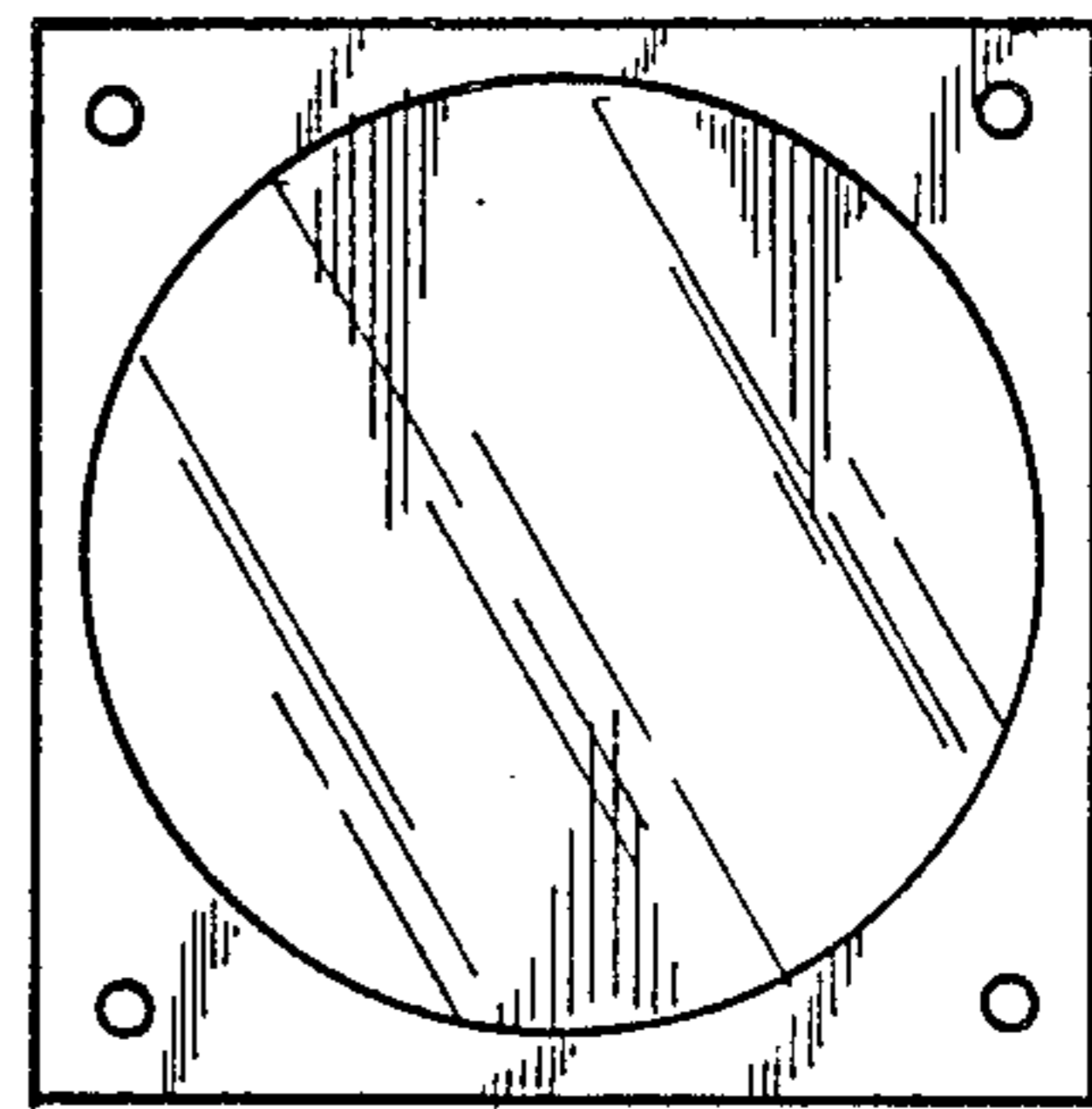


FIG 2

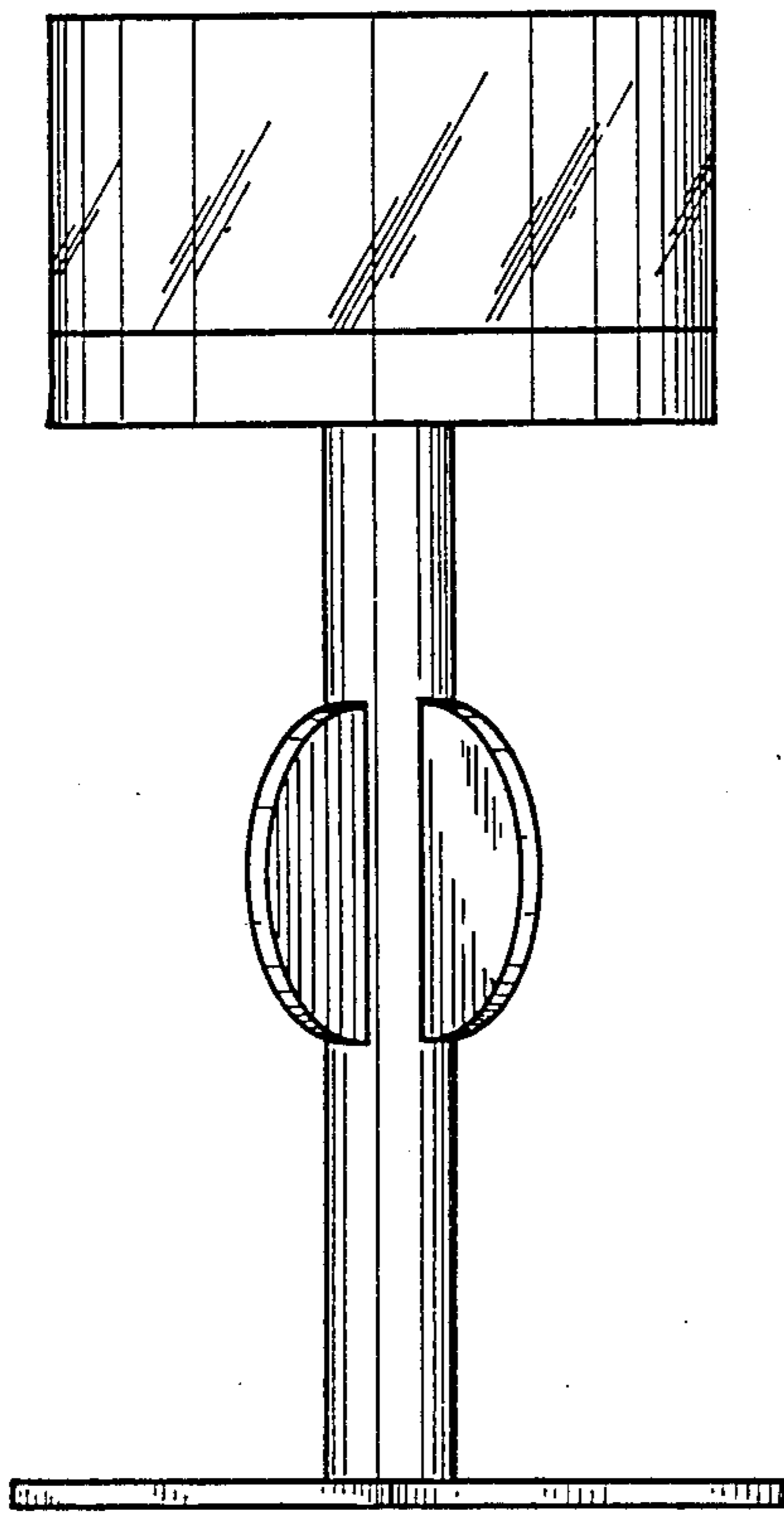


FIG 4

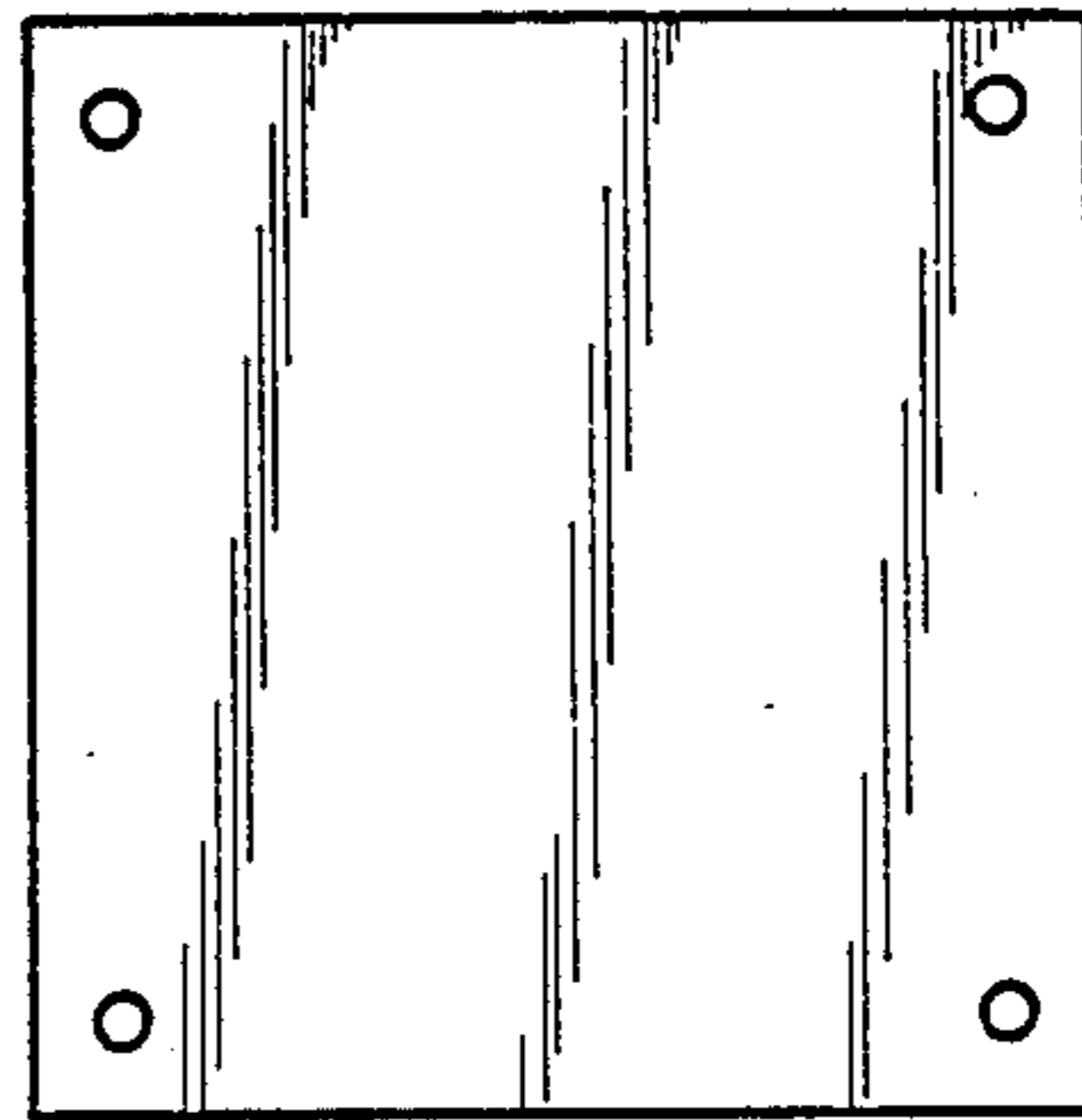


FIG 3