

[54] COMBINED AIR PURIFIER AND IONIZER

[56]

References Cited

U.S. PATENT DOCUMENTS

[75] Inventor: Jurgen Greubel, Heidenrod, Fed. Rep. of Germany

- D. 197,194 12/1963 Dahlberg ..... D23/155
- D. 238,365 1/1976 Mariol et al. .... D23/122
- D. 246,252 11/1977 Schade ..... D23/150 X
- D. 274,552 7/1984 Yuen ..... D23/150 X
- D. 281,101 10/1985 Tsuji ..... D23/149

[73] Assignee: Amcor Ltd., Israel

Primary Examiner—Wallace R. Burke  
 Assistant Examiner—Brian N. Vinson  
 Attorney, Agent, or Firm—Steinberg & Raskin

[\*\*] Term: 14 Years

[57] CLAIM

[21] Appl. No.: 841,114

The ornamental design for a combined air purifier and ionizer, as shown and described.

[22] Filed: Mar. 3, 1986

DESCRIPTION

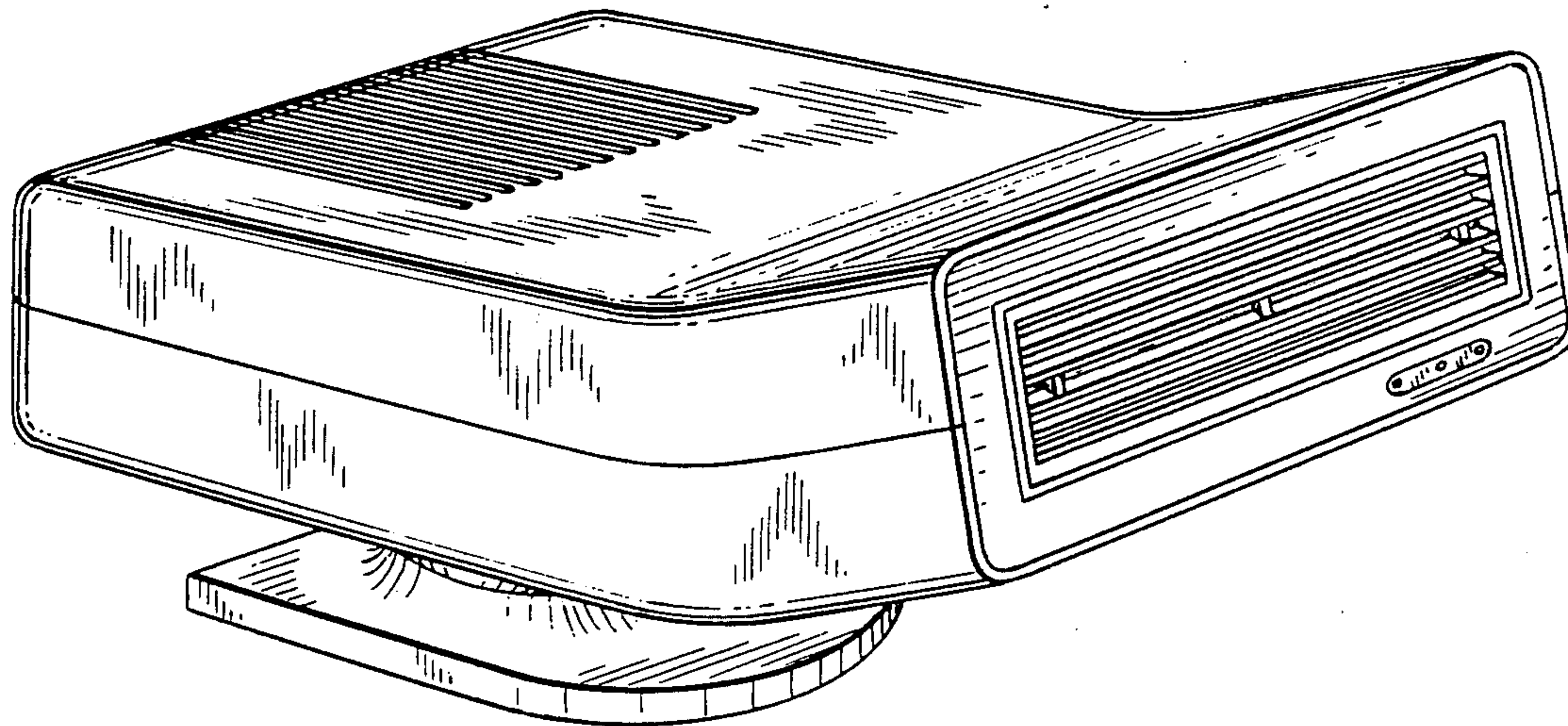
[30] Foreign Application Priority Data

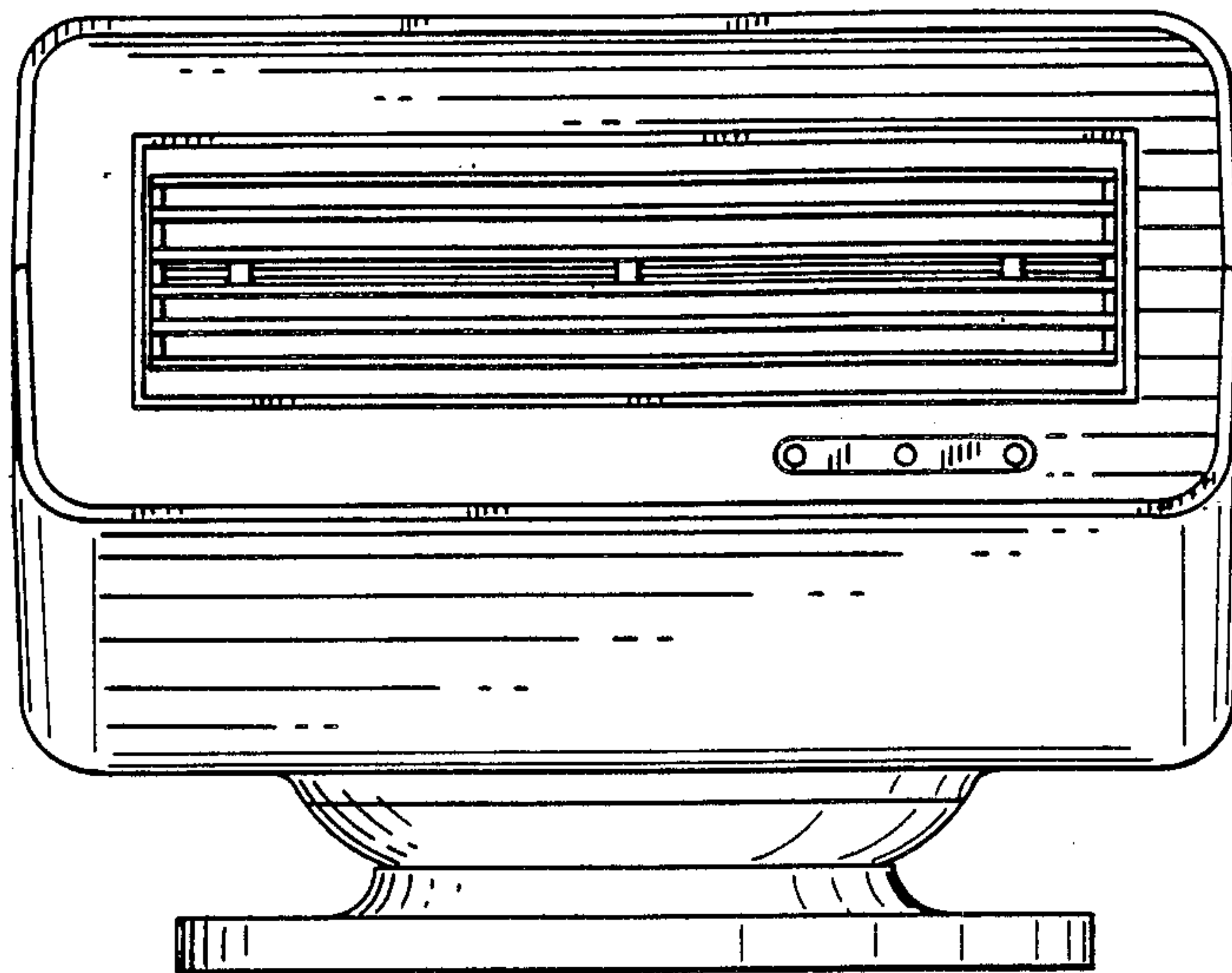
Sep. 3, 1985 [IL] Israel ..... 10851

[52] U.S. Cl. .... D23/364; D23/366

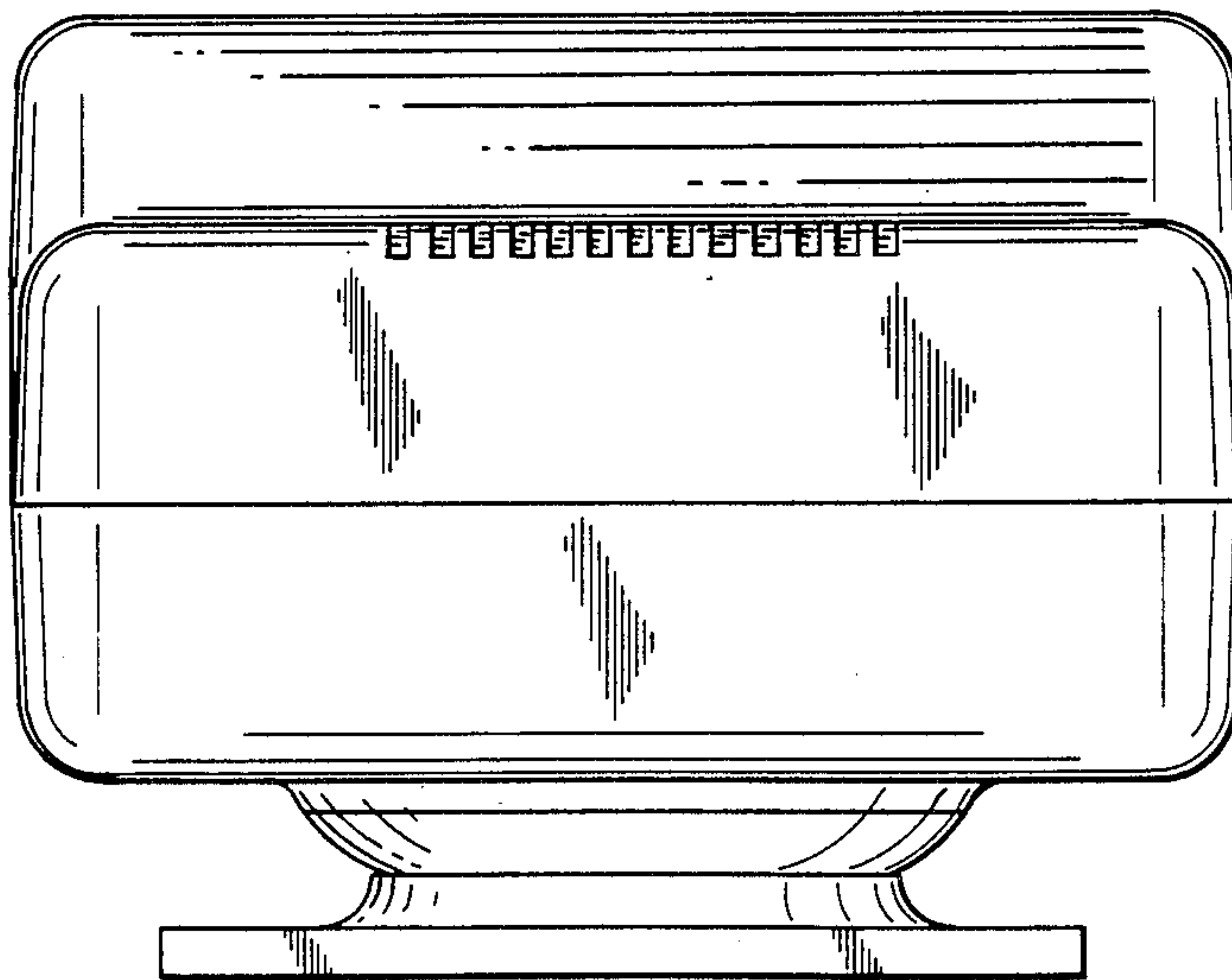
[58] Field of Search ..... D23/146-150;  
 98/2.11, 30; 222/187; 219/360; 55/101; 239/34,  
 36, 42-43, 47, 49-50, 53-60; 261/DIG. 16,  
 DIG. 42, 95, 99; 250/423 R

FIG. 1 is a front elevational view of combined air purifier and ionizer showing my new design;  
 FIG. 2 is a rear elevational view thereof;  
 FIG. 3 is a top plan view thereof;  
 FIG. 4 is a right side elevational view thereof, the left side being a mirror image;  
 FIG. 5 is a bottom plan view thereof; and  
 FIG. 6 is a perspective view thereof.

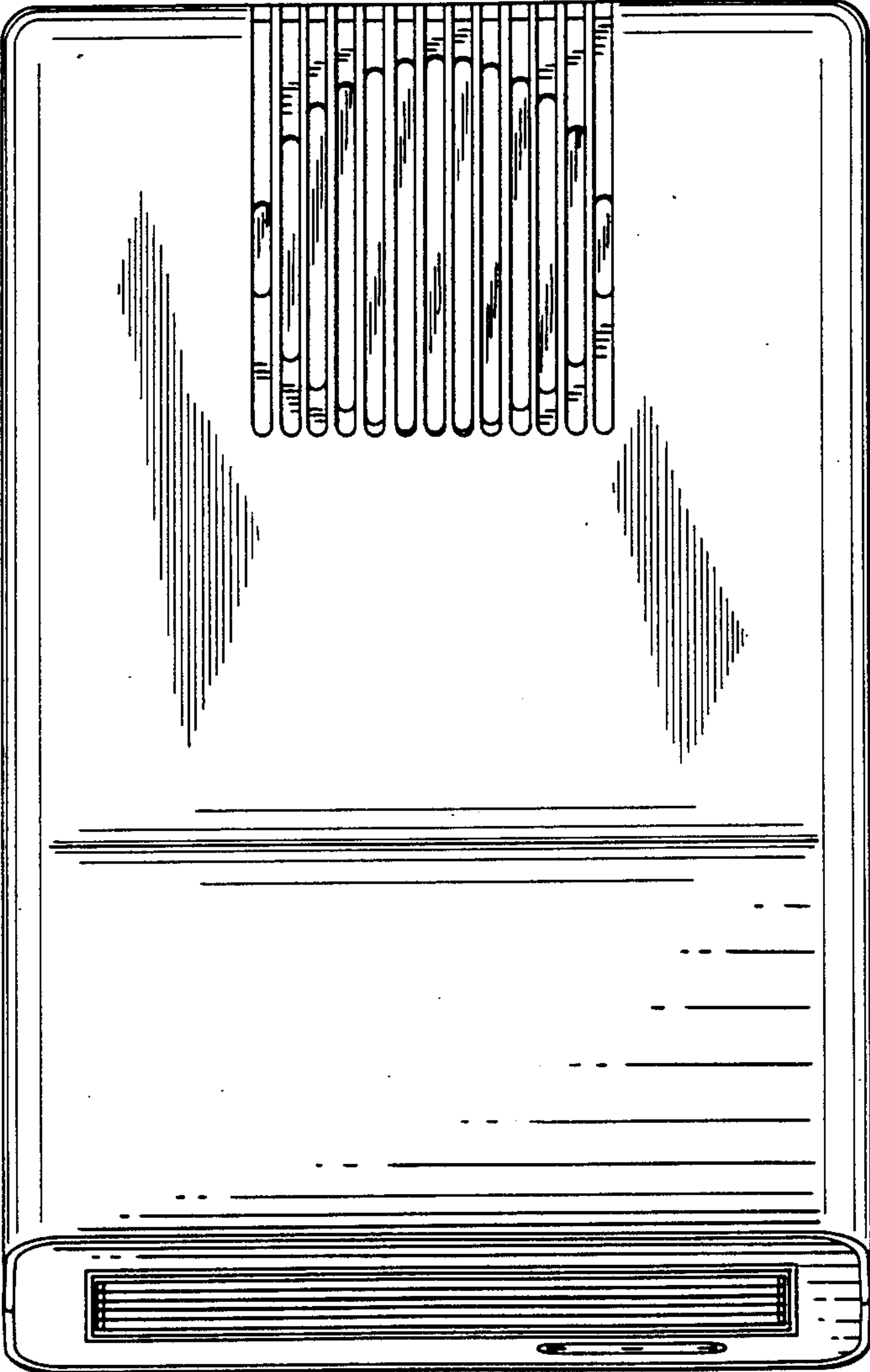




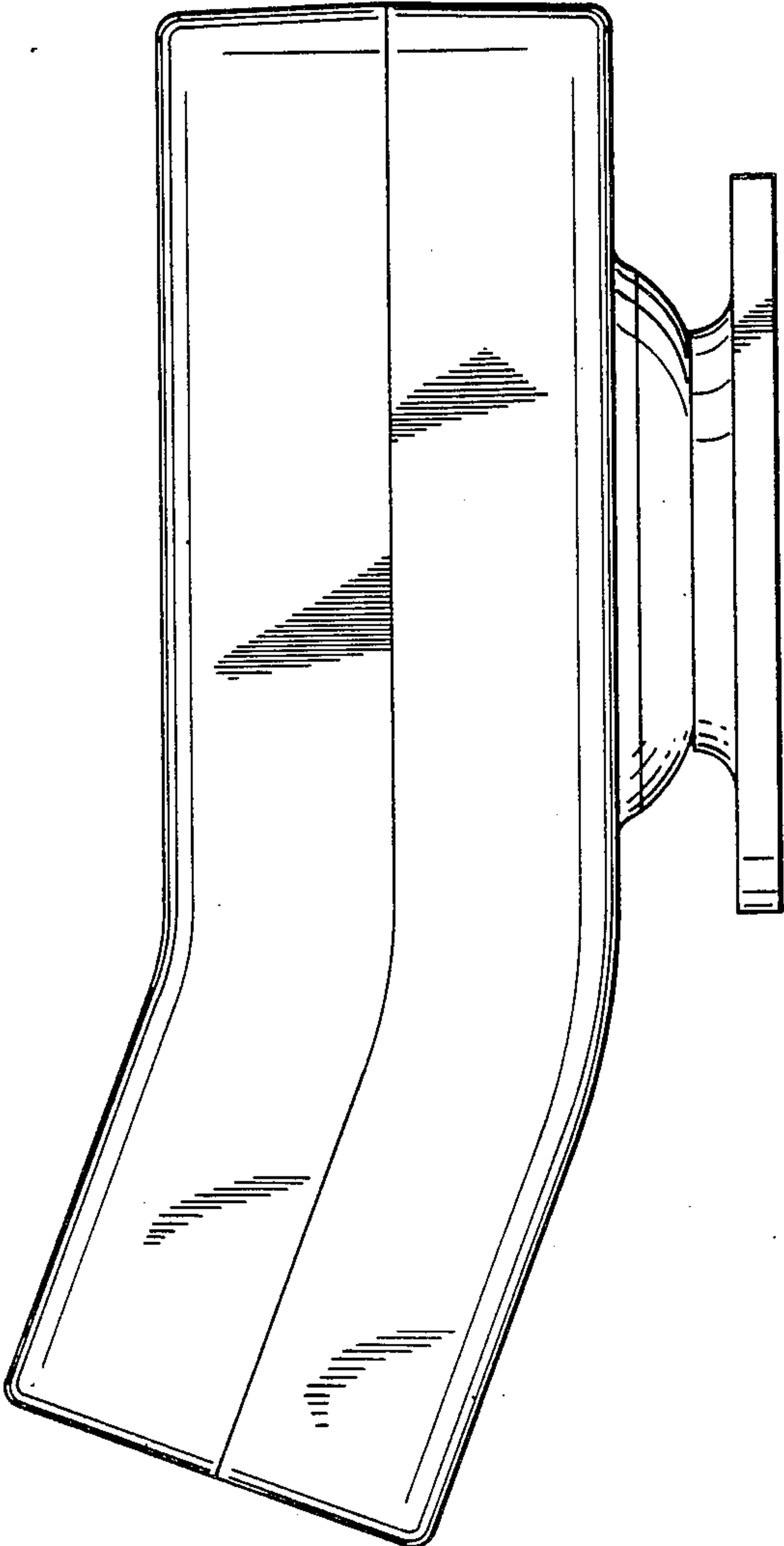
**Fig. 1**



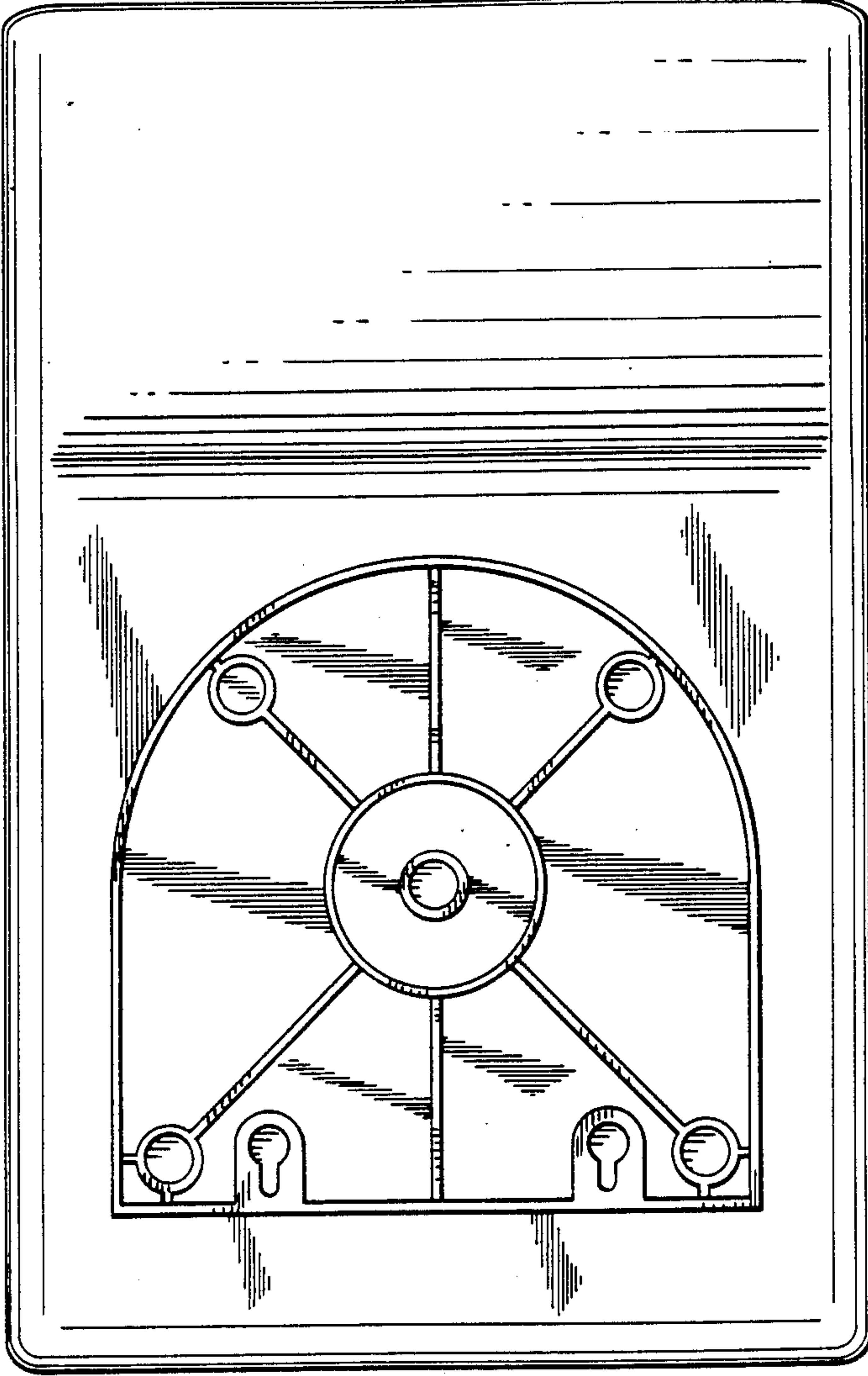
**Fig. 2**



**Fig. 3**

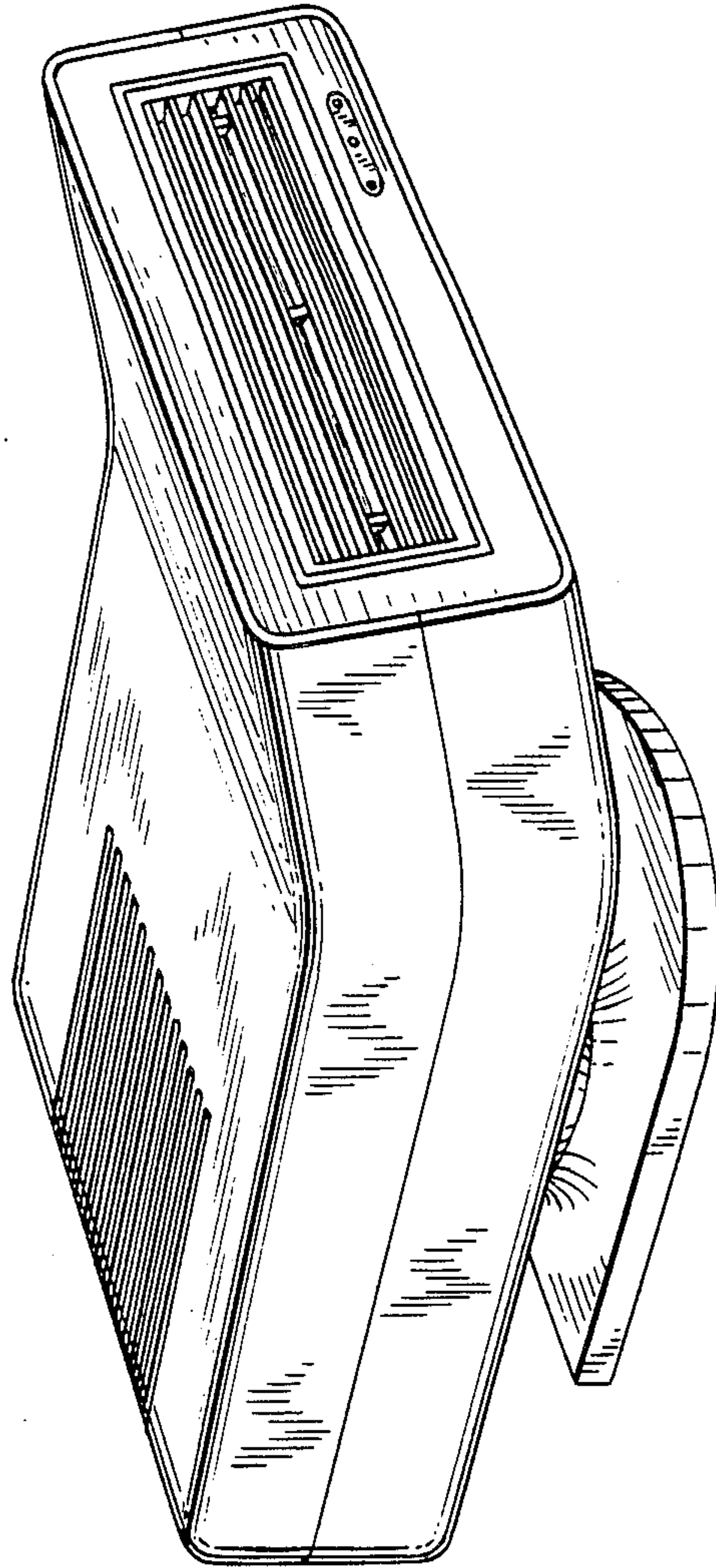


**Fig. 4**



***Fig. 5***





**Fig. 6**