

- [54] **SPRINKLER NOZZLE**
- [75] Inventors: **Alfredo B. Marmol, West Covina;
Alfredo H. Acevedo, Pomona, both of
Calif.**
- [73] Assignee: **Rain Bird Consumer Products Mf.,
Duarte, Calif.**
- [**] Term: **14 Years**
- [21] Appl. No.: **712,422**
- [22] Filed: **Mar. 18, 1985**
- [52] U.S. Cl. **D23/213**
- [58] Field of Search **D23/213, 21 A, 223,
D23/228, 229; 239/451-454, 456-460,
513-515, 539, 541, DIG. 1**

1,758,119	5/1930	LeMoon	239/453 X
2,619,378	11/1952	Watkins et al.	239/457 X
3,171,602	3/1965	Bauchet	239/515
3,815,832	6/1974	Floyd	239/563
4,316,579	2/1982	Ray	285/110 X
4,579,285	4/1986	Hunter	239/DIG. 1 X

Primary Examiner—James R. Largen
Attorney, Agent, or Firm—Kelly, Bauersfeld & Lowry

[57] **CLAIM**

The ornamental design for a sprinkler nozzle, substantially as shown and described.

DESCRIPTION

FIG. 1 is a prospective view taken from the top and front of a sprinkler nozzle showing my new design; FIG. 2 is a top plan view thereof; FIG. 3 is a front elevational view thereof; FIG. 4 is a left side elevational view thereof; FIG. 5 is a right side elevational view thereof; FIG. 6 is a bottom plan view thereof; FIG. 7 is a rear elevational view thereof; and FIG. 8 is another prospective view taken from the top and front thereof, showing the sprinkler nozzle in an adjusted position.

[56] **References Cited**

U.S. PATENT DOCUMENTS

D. 93,865	11/1934	Czarnecki, Jr.	D23/213
D. 235,261	6/1975	Wiehman et al.	D23/213
699,801	5/1902	Martin	239/506 X
1,472,669	10/1923	Overbaugh	239/451
1,667,964	5/1928	Beddoes	239/513 X

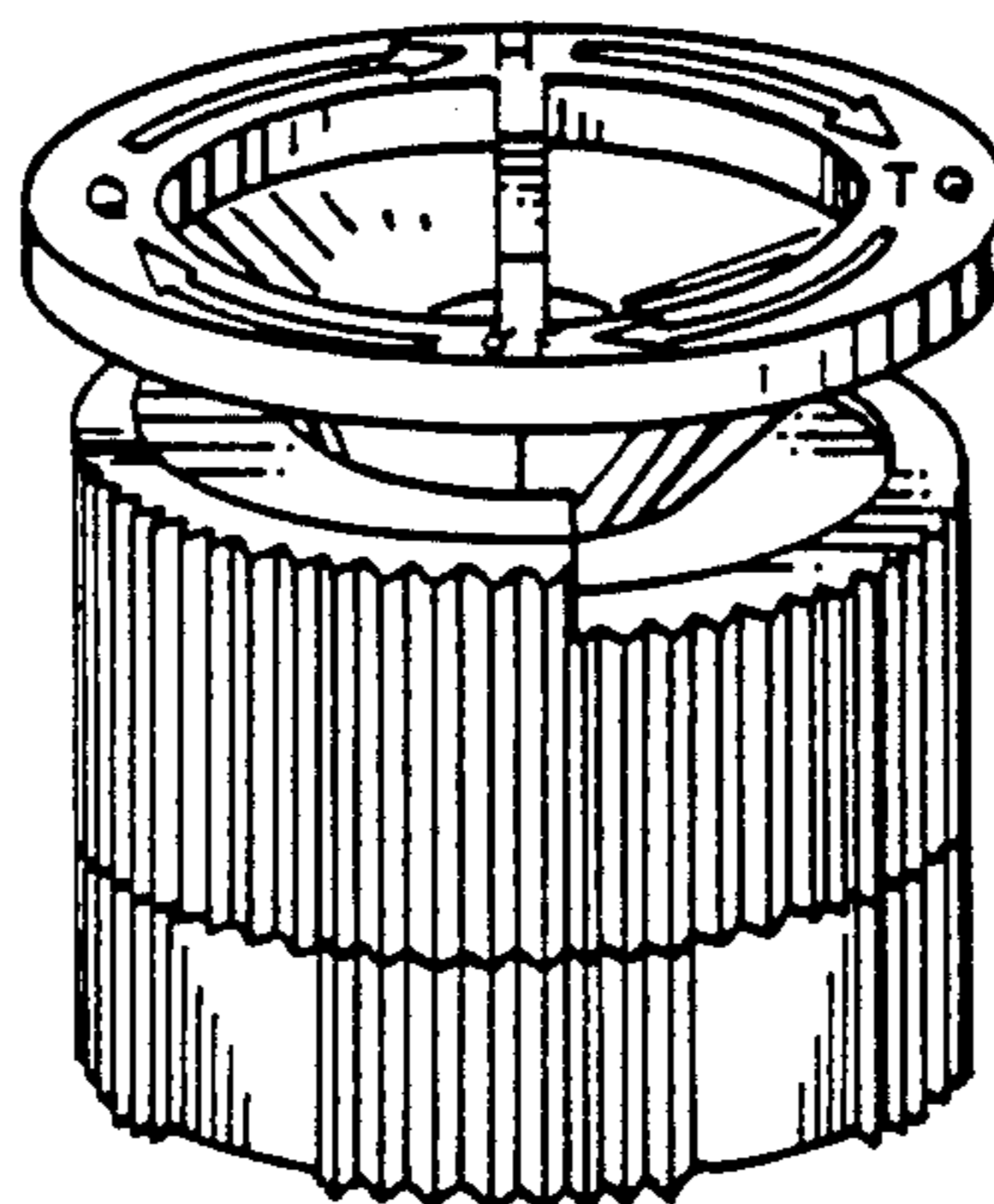


FIG. 1

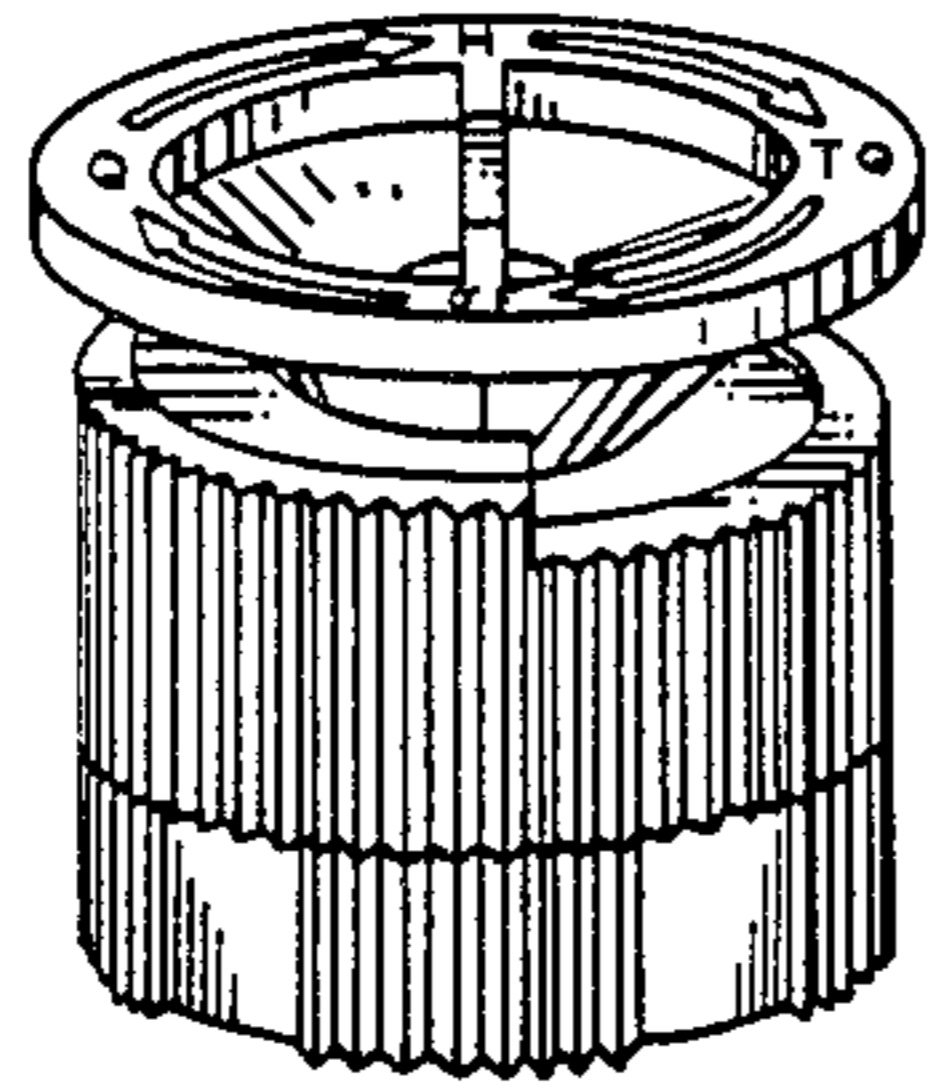


FIG. 2

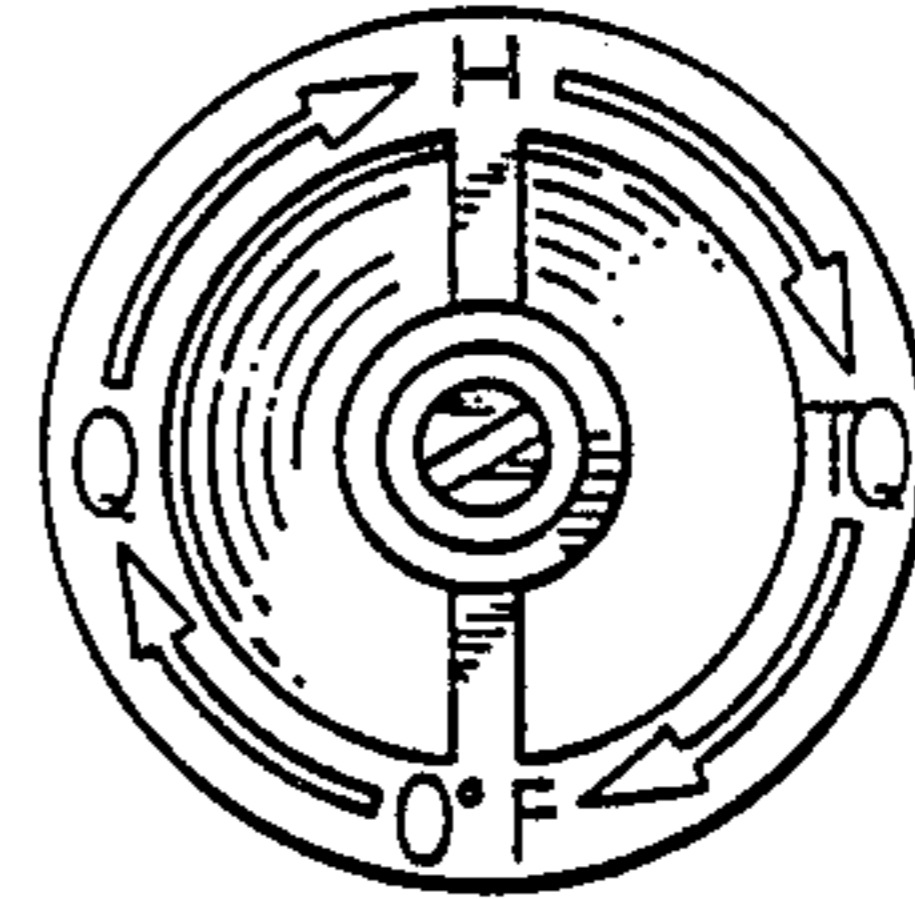


FIG. 4

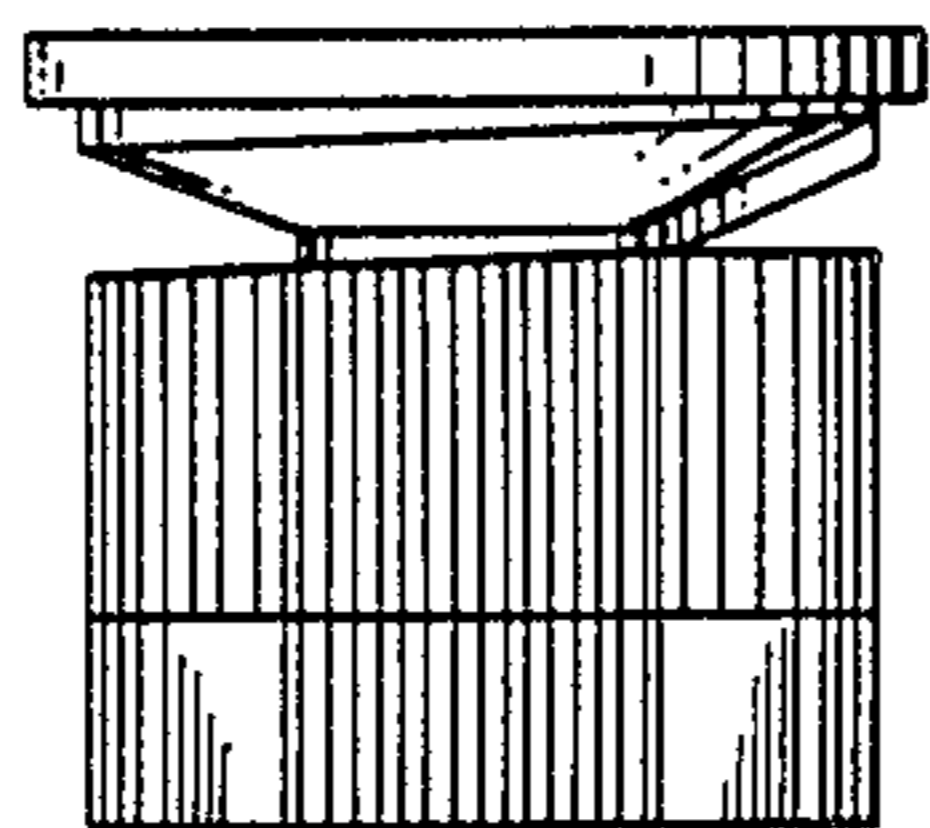


FIG. 3

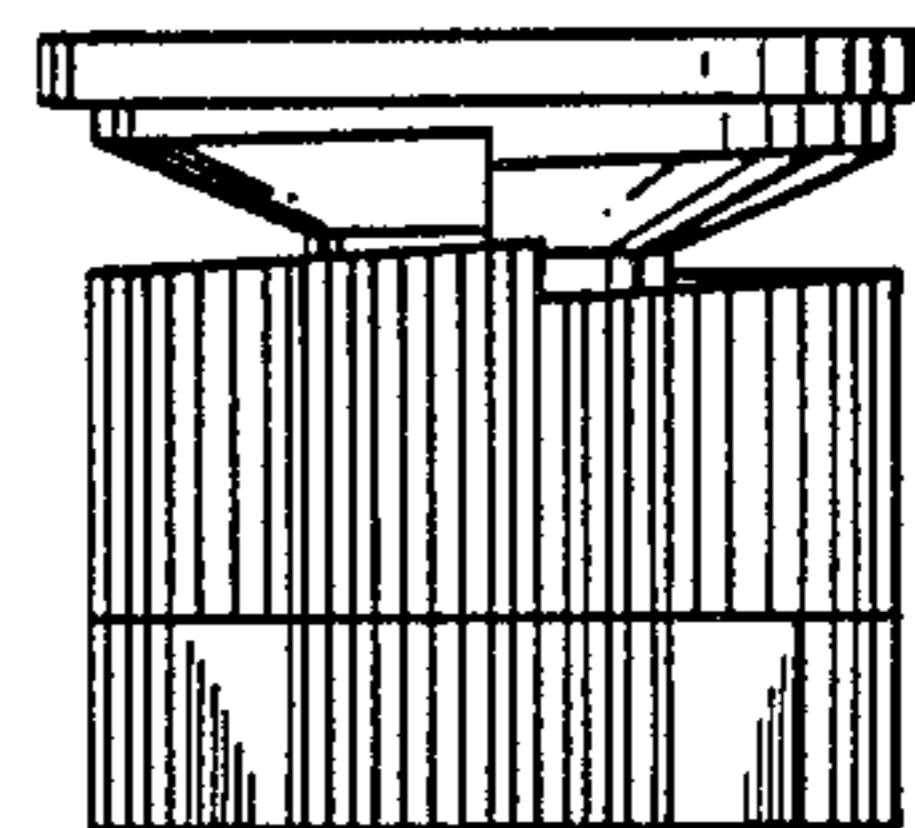


FIG. 5

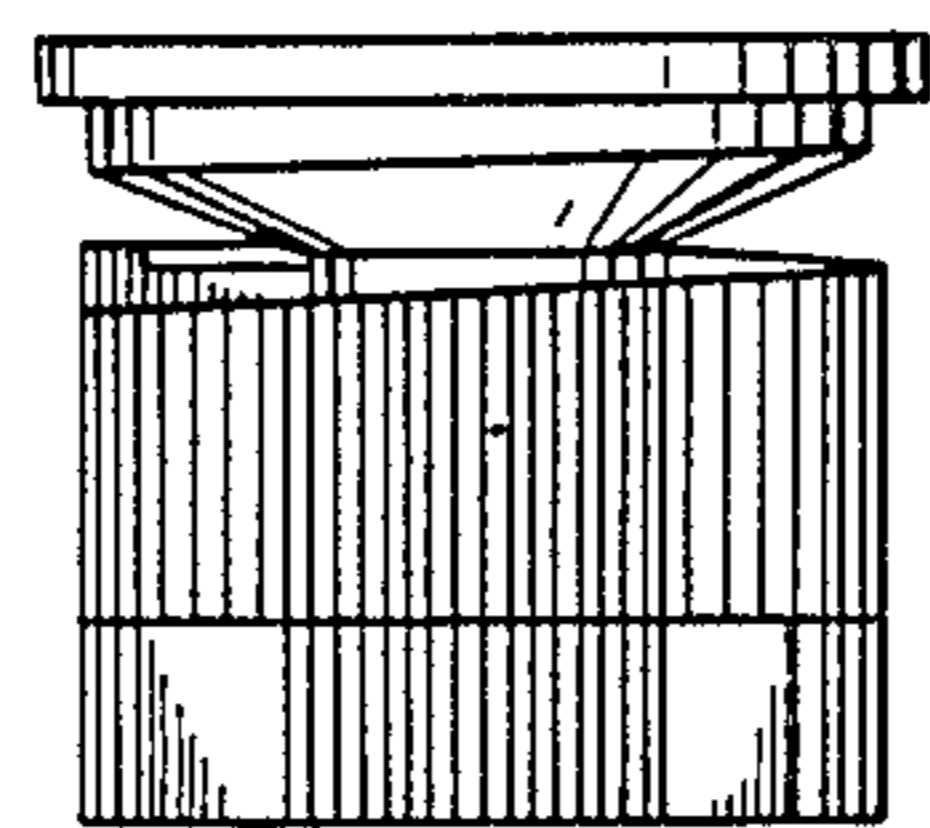


FIG. 6

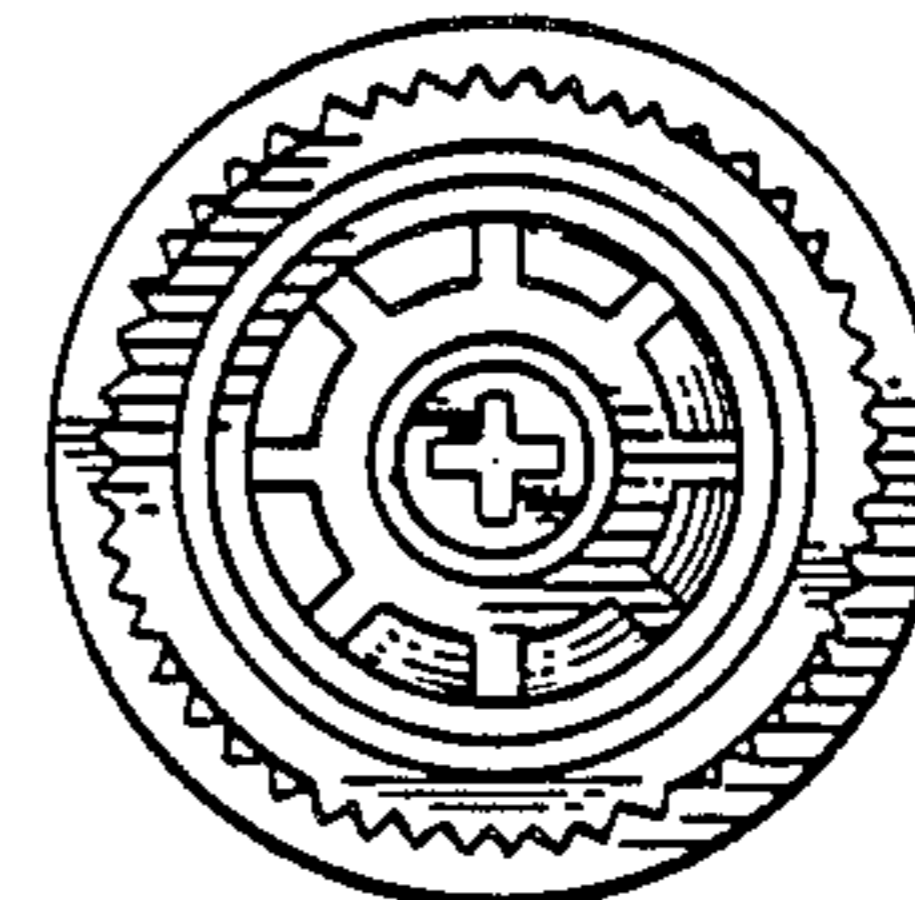


FIG. 7

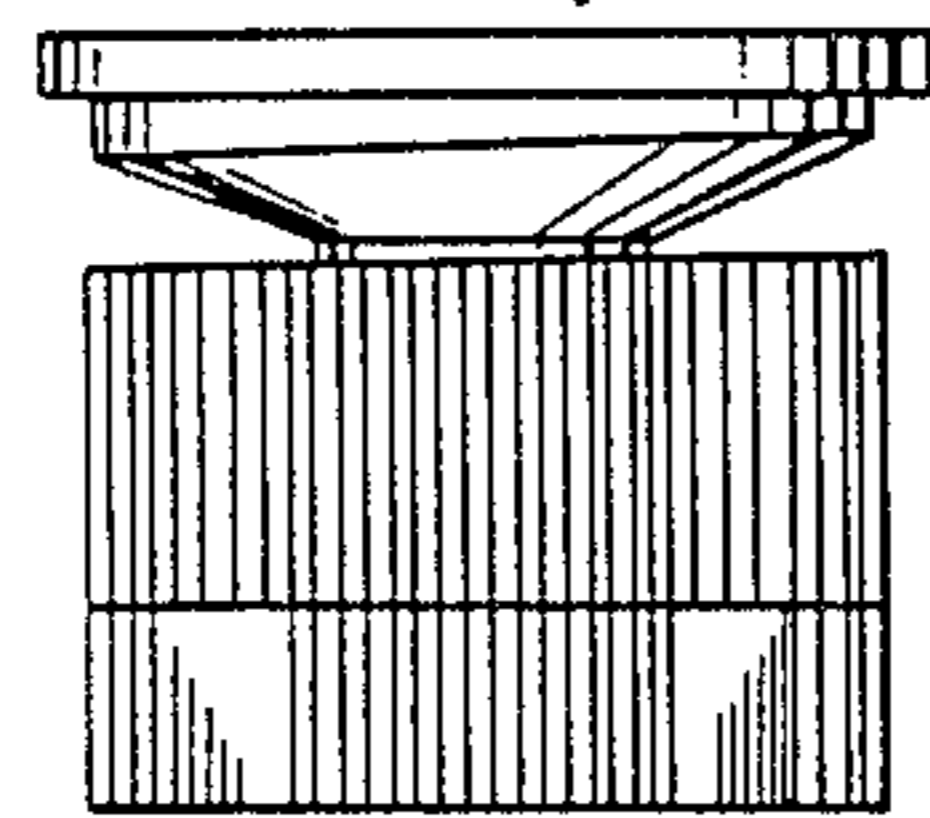


FIG. 8

