

[54] **COMBINED PETROLEUM FUEL SPILLAGE AND OVERFILL CONTAINMENT TANK**

[75] Inventors: **Harry B. Hartman, Sugar Grove, Ill.; Gerard V. LaLonde, Durham, N.C.; Michael S. Butkovich, Aurora, Ill.**

[73] Assignee: **Amoco Corporation, Chicago, Ill.**

[**] Term: **14 Years**

[21] Appl. No.: **727,276**

[22] Filed: **Apr. 25, 1985**

[52] U.S. Cl. **D23/200; D23/259**

[58] Field of Search **D23/1, 2, 18; D9/349, D9/367, 390; 215/1 R; 220/85 P, 85 VR, 85 VS, 90.4, 200-203, DIG. 20; 222/40, 544; 55/493; 141/86, 192, 198, 311**

[56] **References Cited**

U.S. PATENT DOCUMENTS

D. 126,964	5/1941	Gill	D23/2
D. 209,266	11/1967	Brown	D23/2
2,457,155	12/1948	Jackson	220/1 B
3,598,276	8/1971	Brown	220/200 X
4,013,105	3/1977	Uuskallio	220/1 C X

4,159,781	7/1979	Bartlow et al.	220/5 A
4,162,740	7/1979	Jones	220/85 P
4,204,564	5/1980	Balfour	141/311
4,278,115	7/1981	Briles	141/86
4,520,852	6/1985	Klein	141/86
4,579,155	4/1986	Zola	141/186

Primary Examiner—Wallace R. Burke
Assistant Examiner—Brian N. Vinson
Attorney, Agent, or Firm—Thomas W. Tolpin; William H. Magidson; Ralph C. Medhurst

[57] **CLAIM**

The ornamental design for a combined petroleum fuel spillage and overflow containment tank, as shown and described.

DESCRIPTION

FIG. 1 is a top perspective view of a combined petroleum fuel spillage and overflow containment tank showing our new design;
 FIG. 2 is a front elevational view thereof;
 FIG. 3 is a left side elevational view thereof, the right side being a mirror image;
 FIG. 4 is a rear elevational view thereof;
 FIG. 5 is a top plan view thereof; and
 FIG. 6 is a bottom plan view thereof.

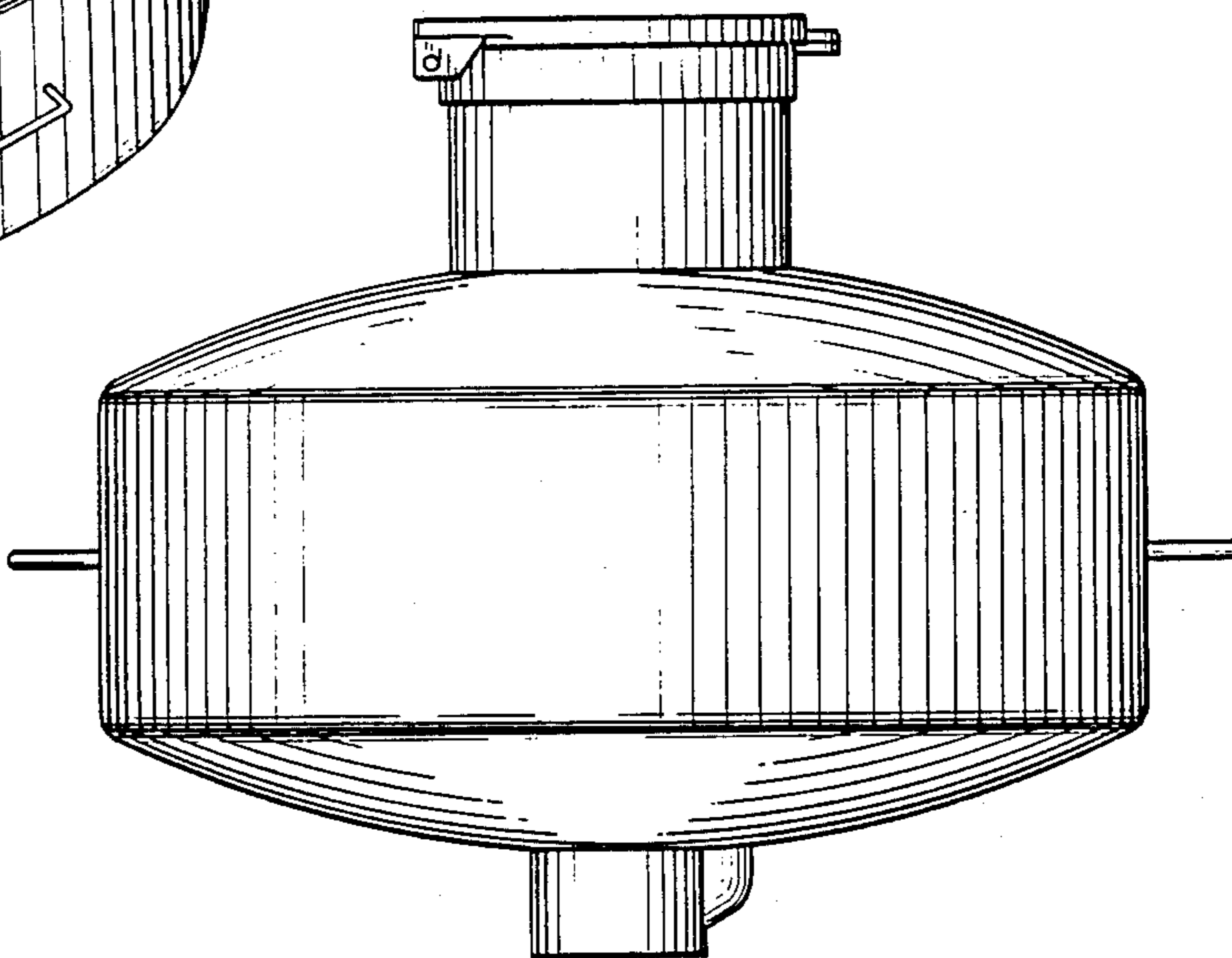
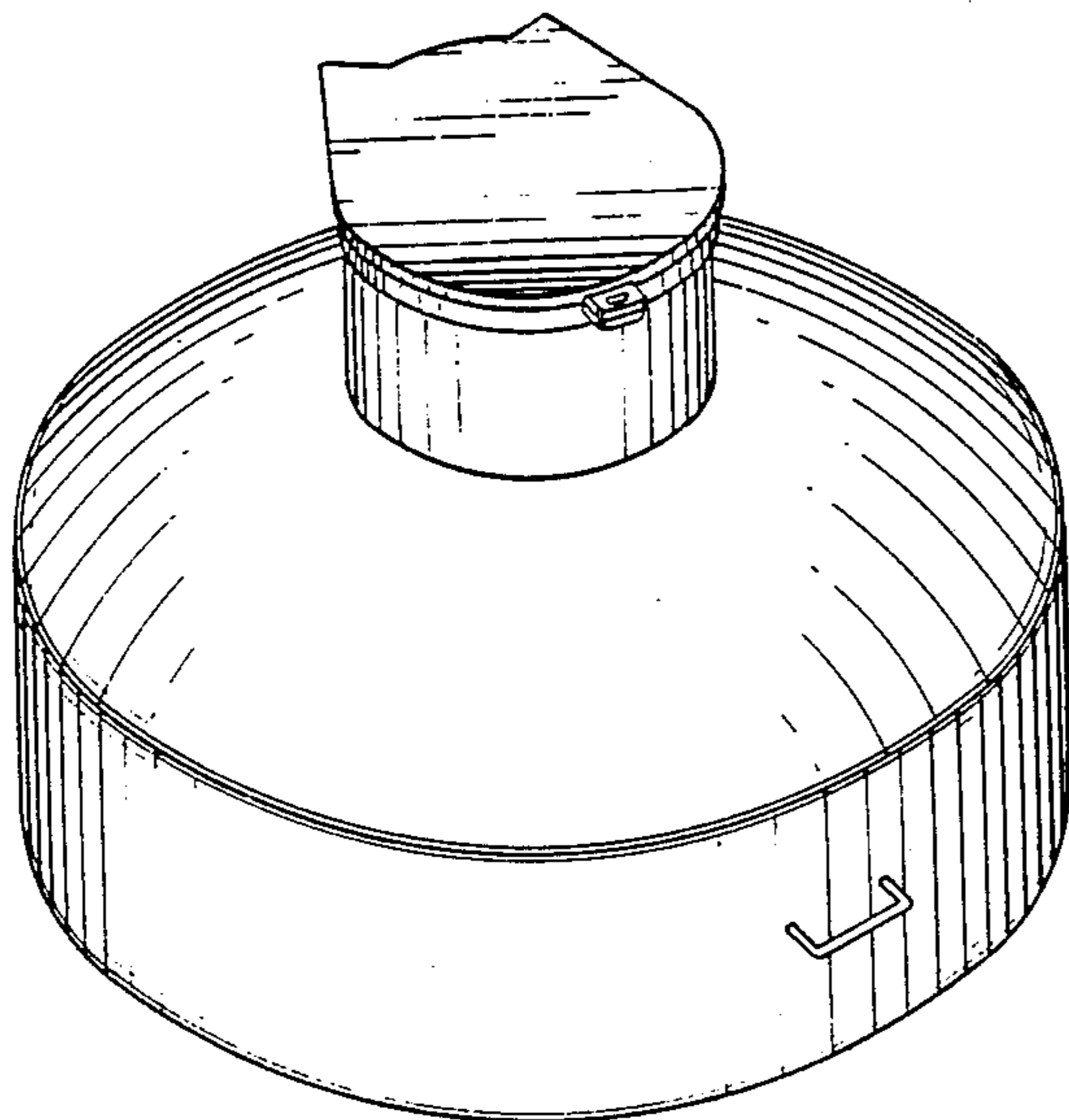


Fig. 1.

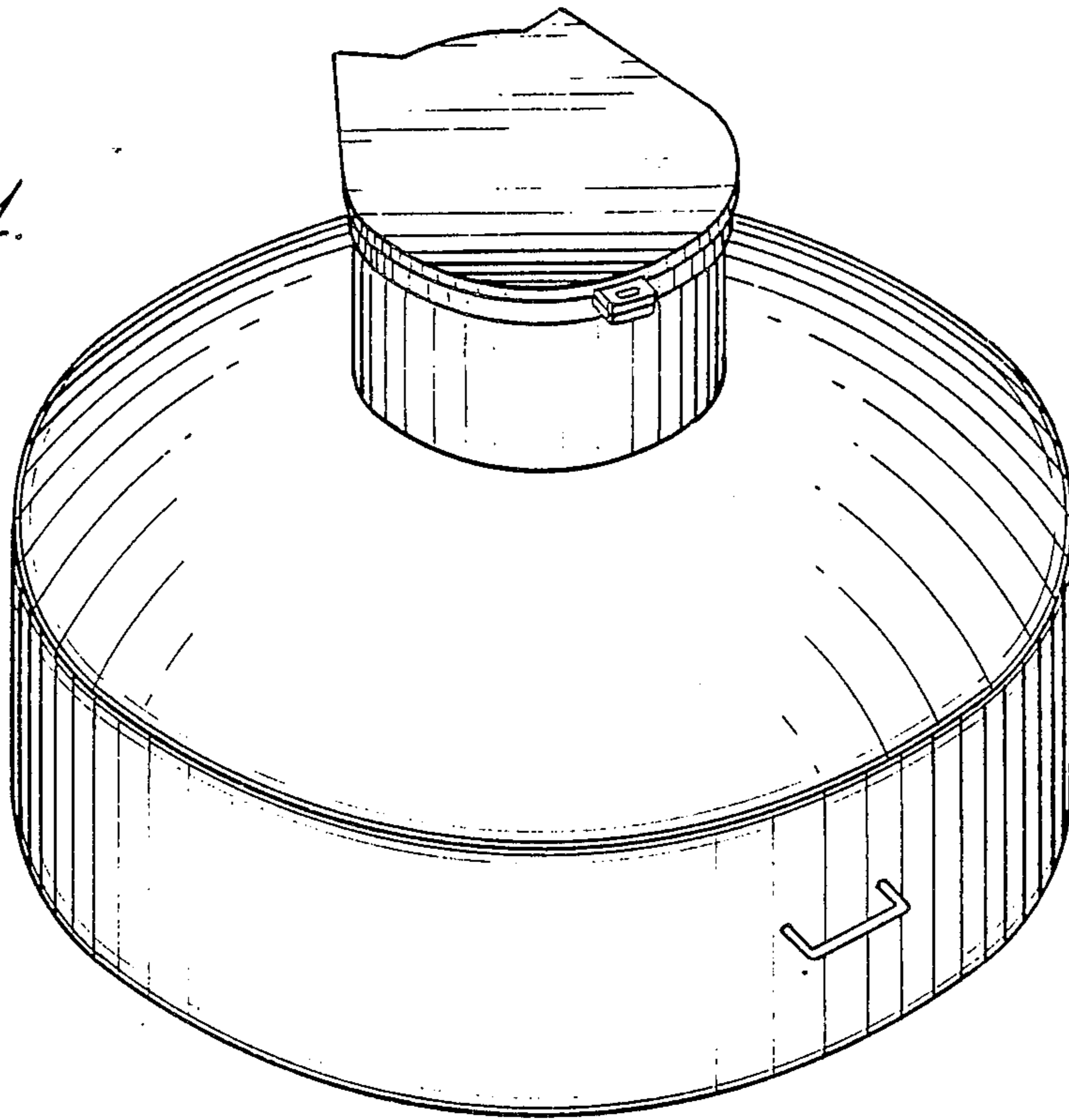
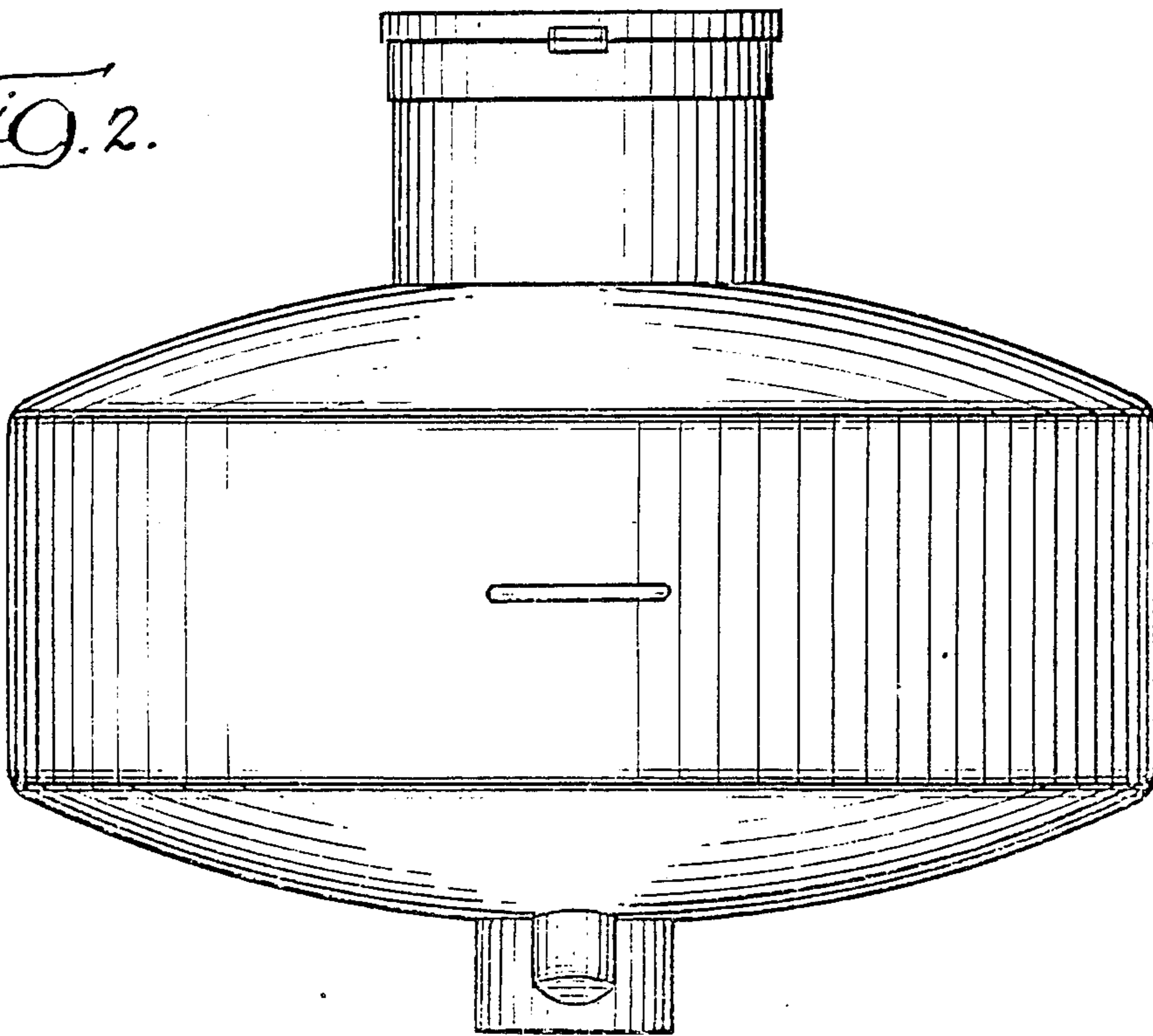


Fig. 2.



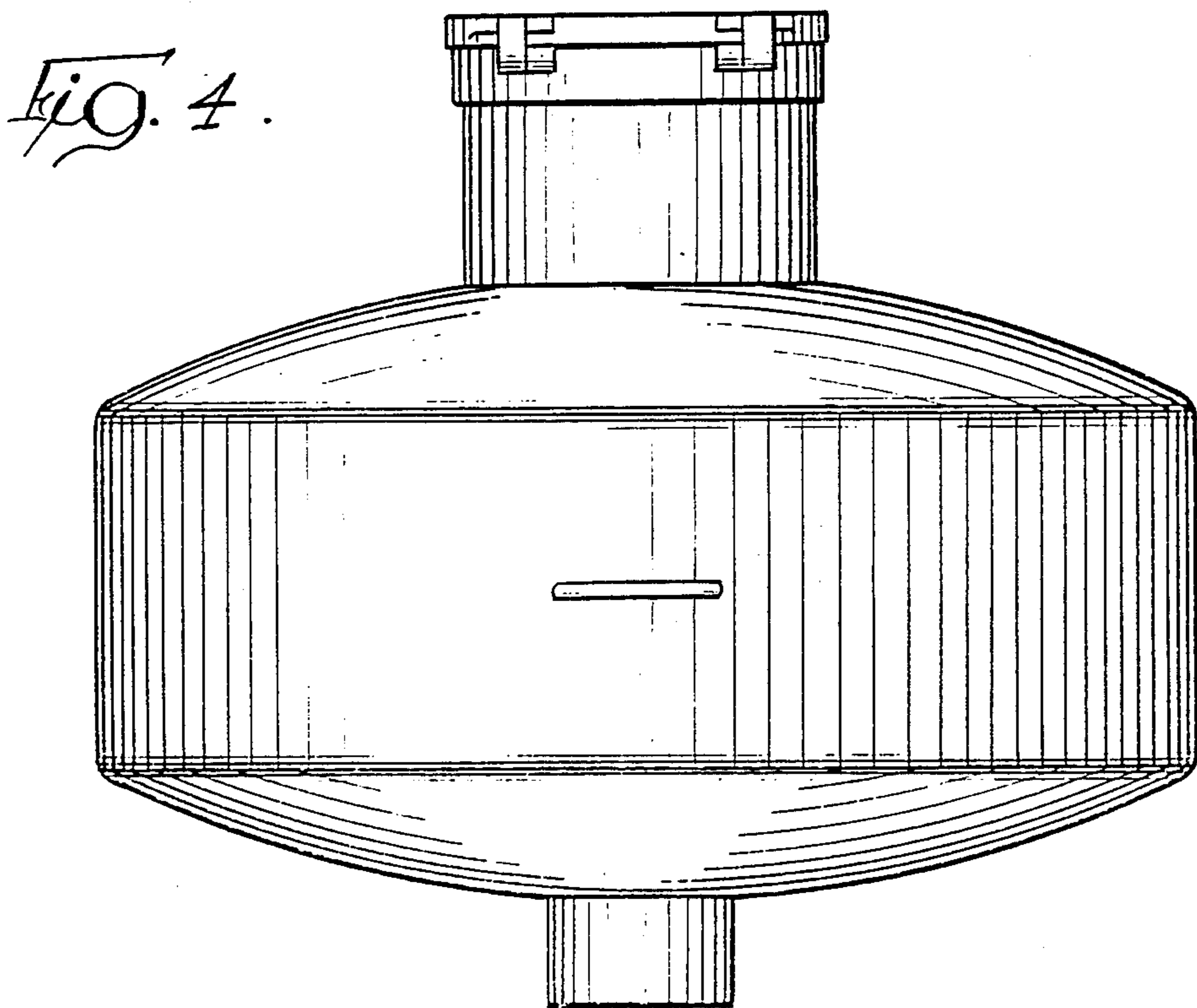
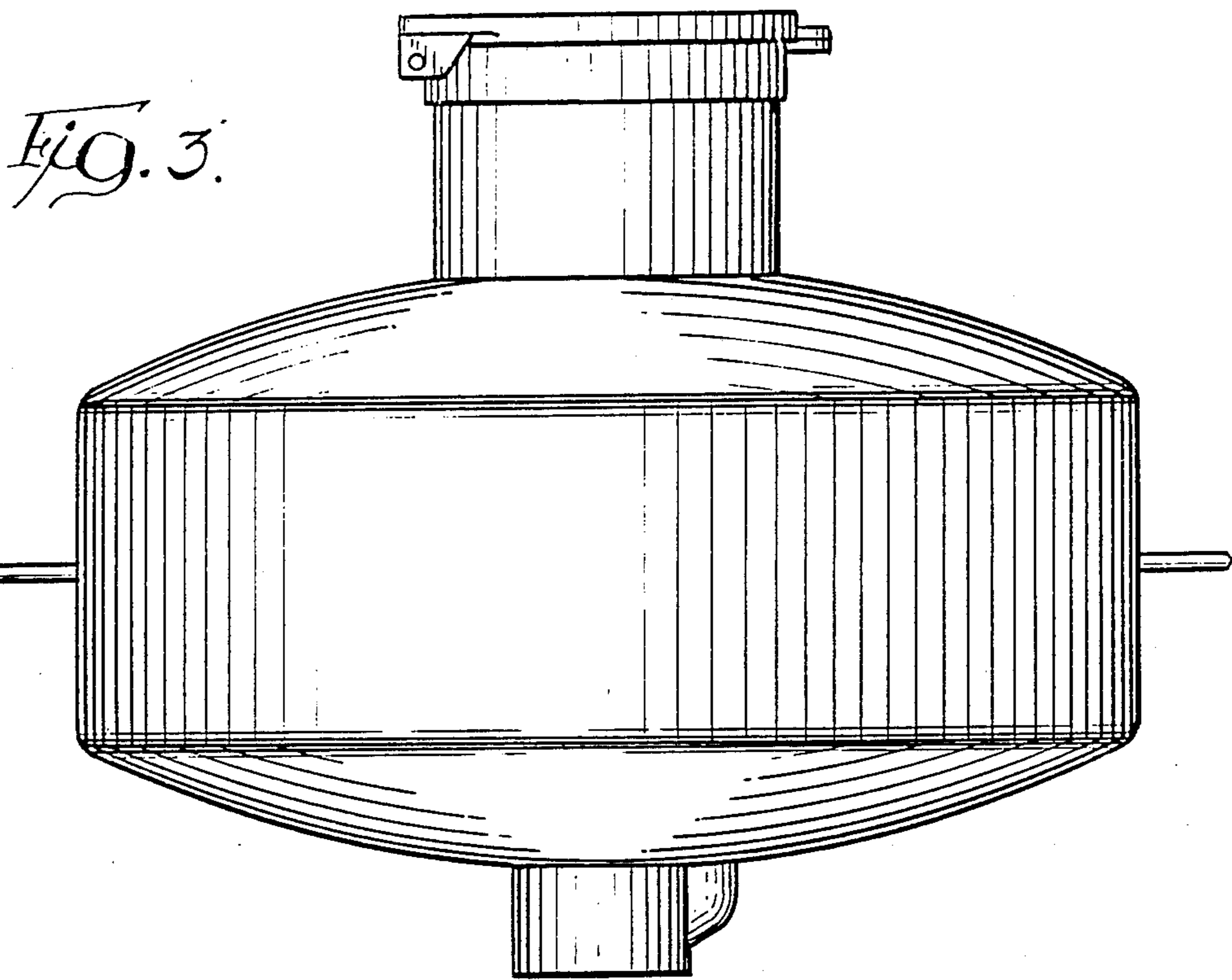


Fig. 5.

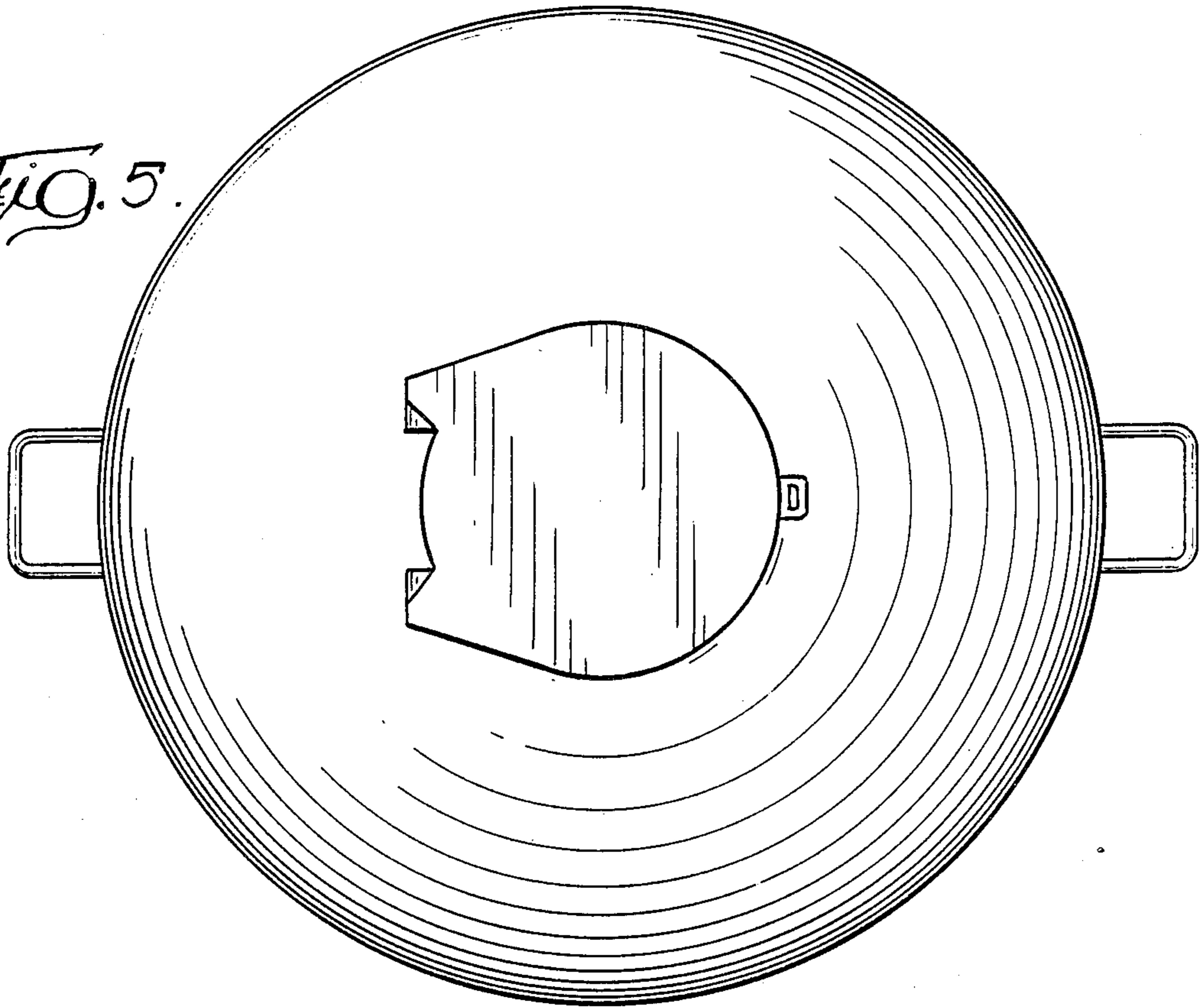


Fig. 6.

