

[54] FISHING TOOL

[76] Inventor: Robert O. Johnson, P.O. Box 126, Benton, Ky. 42025-0126

[**] Term: 14 Years

[21] Appl. No.: 808,070

[22] Filed: Dec. 12, 1985

[52] U.S. Cl. D22/150; D28/55

[58] Field of Search 7/106, 132; 43/53.5; 5/54.1; D22/149, 150; D28/55

[56] References Cited

U.S. PATENT DOCUMENTS

- D. 257,877 1/1981 Patterson D22/150
- 2,634,728 4/1953 Dale D28/55 X
- 2,961,670 11/1960 Frame D22/150 X

Primary Examiner—A. Hugo Word

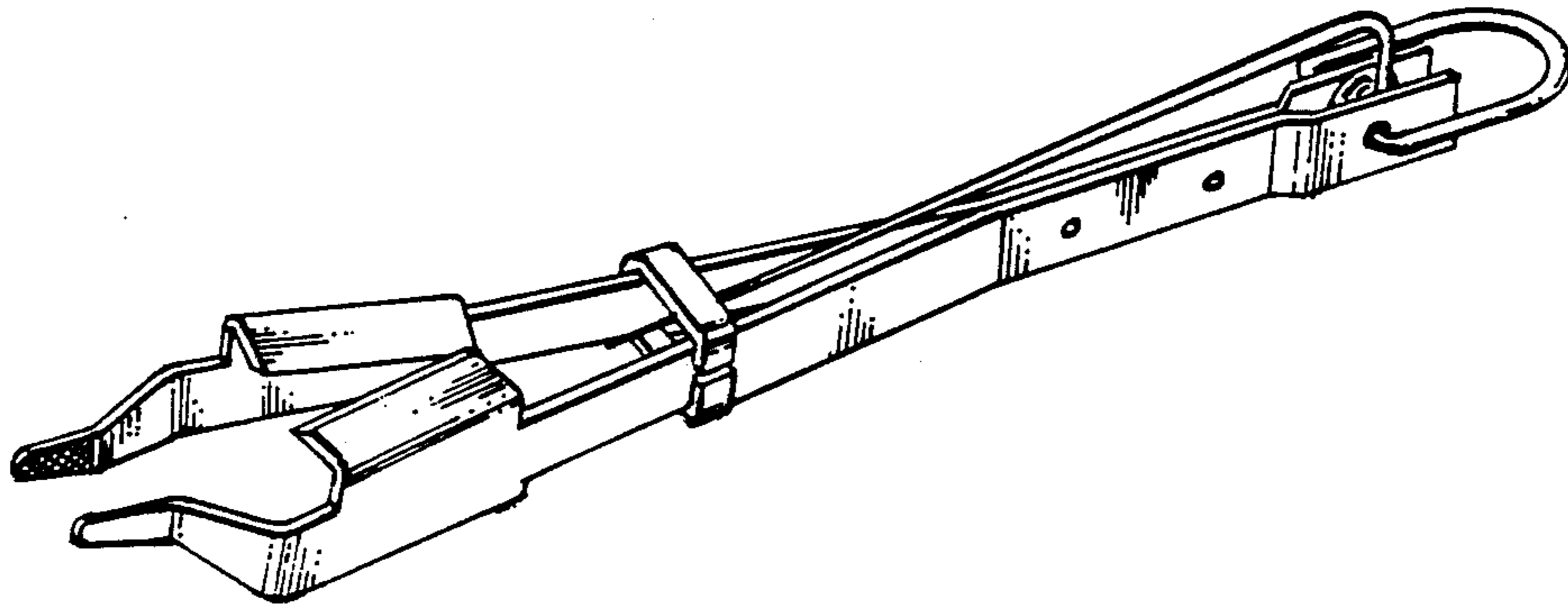
Attorney, Agent, or Firm—Birch, Stewart, Kolasch & Birch

[57] CLAIM

The ornamental design for a fishing tool, as shown.

DESCRIPTION

FIG. 1 is a right front perspective looking from the top of the fishing tool design of the present invention; FIG. 2 is a top plan view of the fishing tool of FIG. 1 of the present invention; FIG. 3 is a right side elevation of the fishing tool design of FIG. 1 of the present invention; FIG. 4 is a bottom plan view of the fishing tool design of FIG. 1 of the present invention; FIG. 5 is a left side elevation of the fishing tool design of FIG. 1 of the present invention; FIG. 6 is a rear elevation of the fishing tool design of FIG. 1 of the present invention; and FIG. 7 is a front elevation of the fishing tool design of FIG. 1 of the present invention.



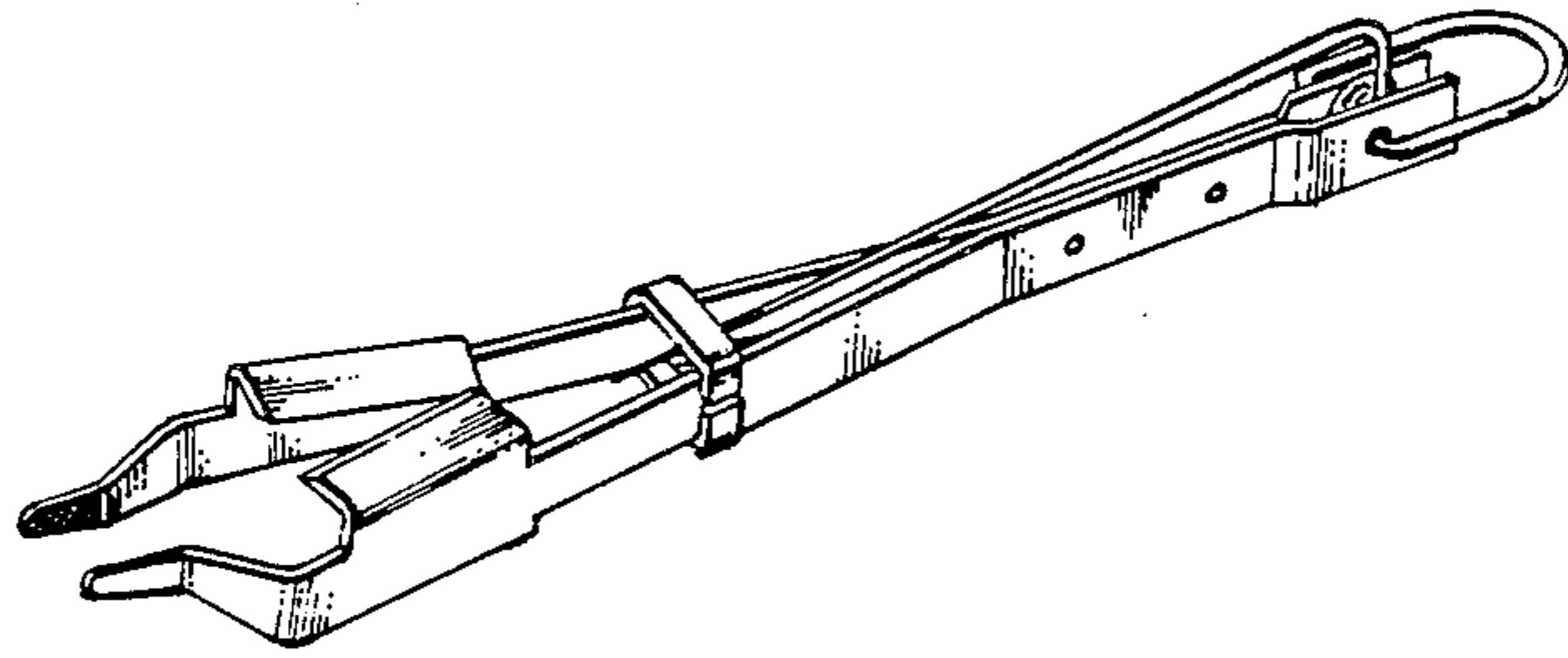


FIG. 1

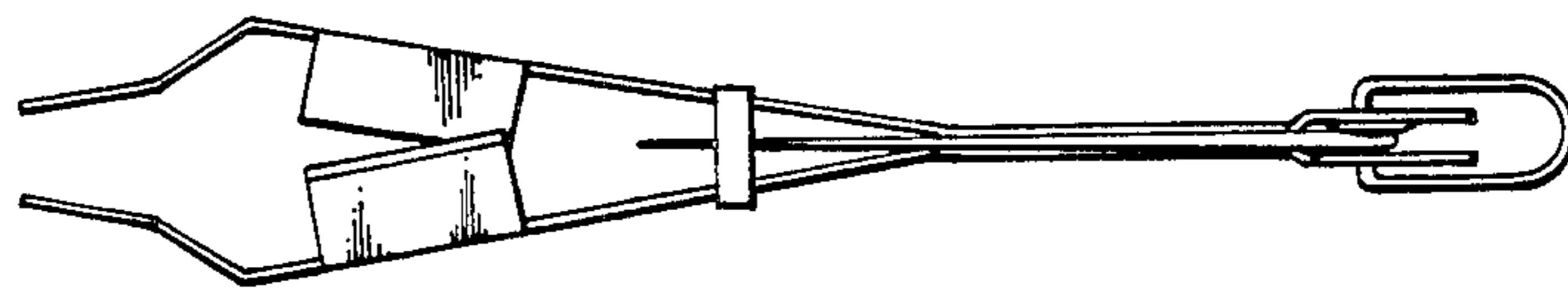


FIG. 2

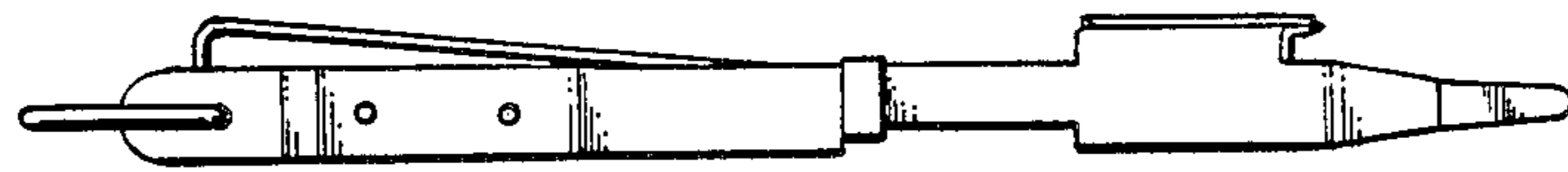


FIG. 3

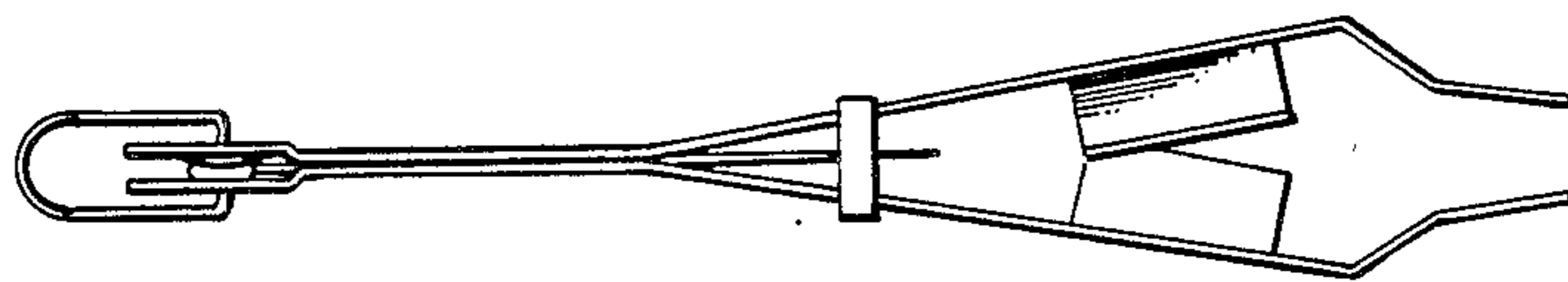


FIG. 4

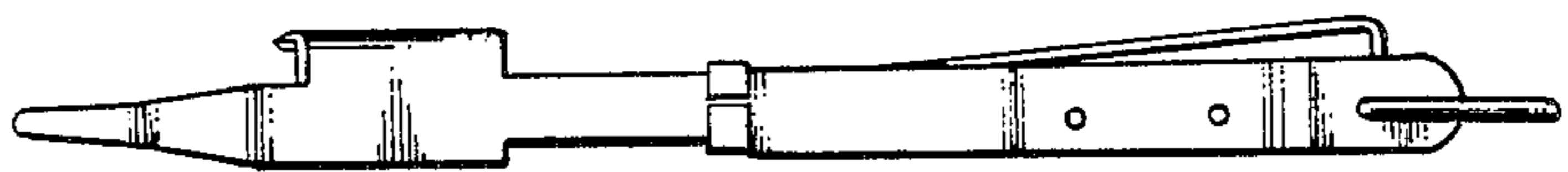


FIG. 5

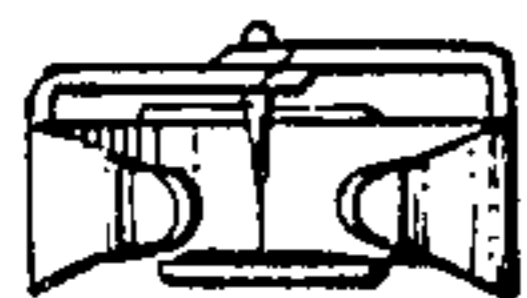


FIG. 6

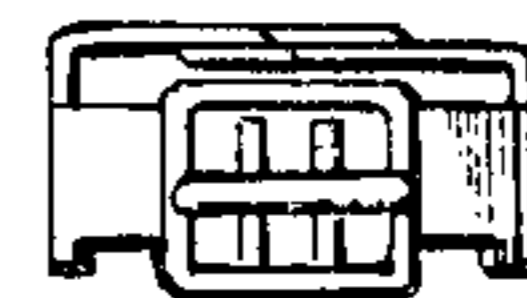


FIG. 7