

[54] FISHING ROD GRIP

[75] Inventor: Junichi Suzuki, Musashino, Japan

[73] Assignee: Daiwa Seiko, Inc., Tokyo, Japan

[**] Term: 14 Years

[21] Appl. No.: 741,349

[22] Filed: Jun. 5, 1985

[30] Foreign Application Priority Data

Dec. 21, 1984 [JP] Japan 59-52654
 [52] U.S. Cl. D22/142
 [58] Field of Search D22/142; 43/20, 22,
 43/23, 18.1

[56] References Cited

U.S. PATENT DOCUMENTS

D. 256,836 9/1980 Endo et al. D22/142
 4,439,945 4/1984 Chang et al. D22/142

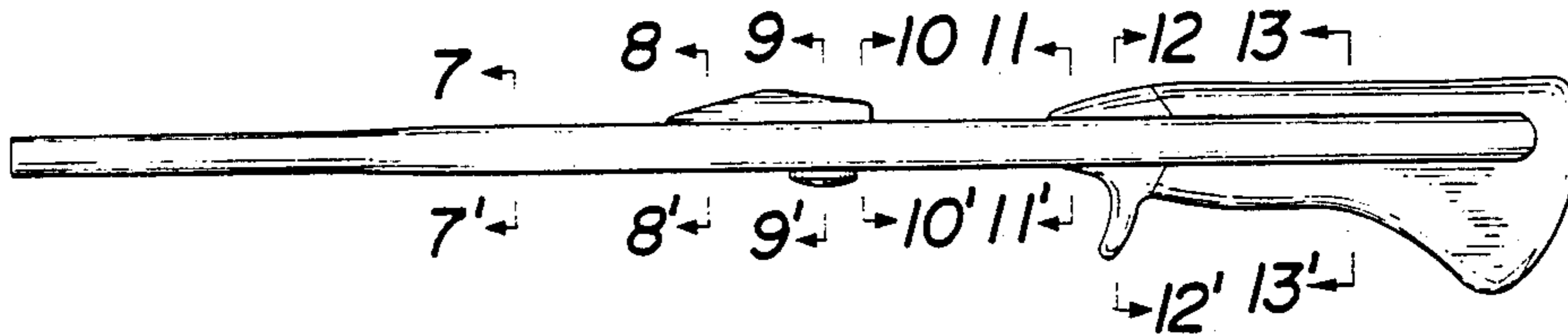
Primary Examiner—A. Hugo Word
 Attorney, Agent, or Firm—Bacon & Thomas

[57] CLAIM

The ornamental design for a fishing rod grip, substantially as shown and described.

DESCRIPTION

FIG. 1 is a top plan view of a fishing rod grip showing my new design;
 FIG. 2 is a front elevational view thereof, the opposite side being a mirror image of the side shown;
 FIG. 3 is a bottom plan view thereof;
 FIG. 4 is a left side elevational view thereof;
 FIG. 5 is a right side elevational view thereof;
 FIG. 6 is a horizontal section view of FIG. 1 as taken in a plane including a 6—6' line;
 FIG. 7 is a vertical sectional view of FIG. 2 as taken in a plane including a 7—7' line;
 FIG. 8 is a vertical sectional view of FIG. 2 as taken in a plane including an 8—8' line;
 FIG. 9 is a vertical sectional view of FIG. 2 as taken in a plane including a 9—9' line;
 FIG. 10 is a vertical sectional view of FIG. 2 as taken in a plane including a 10—10' line;
 FIG. 11 is a vertical sectional view of FIG. 2 as taken in a plane including an 11—11' line;
 FIG. 12 is a vertical sectional view of FIG. 2 as taken in a plane including a 12—12' line; and
 FIG. 13 is a vertical sectional view of FIG. 2 as taken in a plane including a 13—13' line.



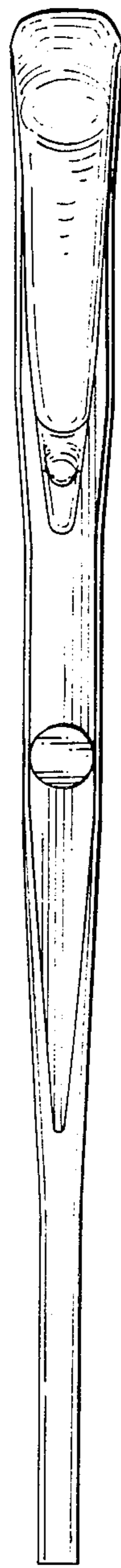
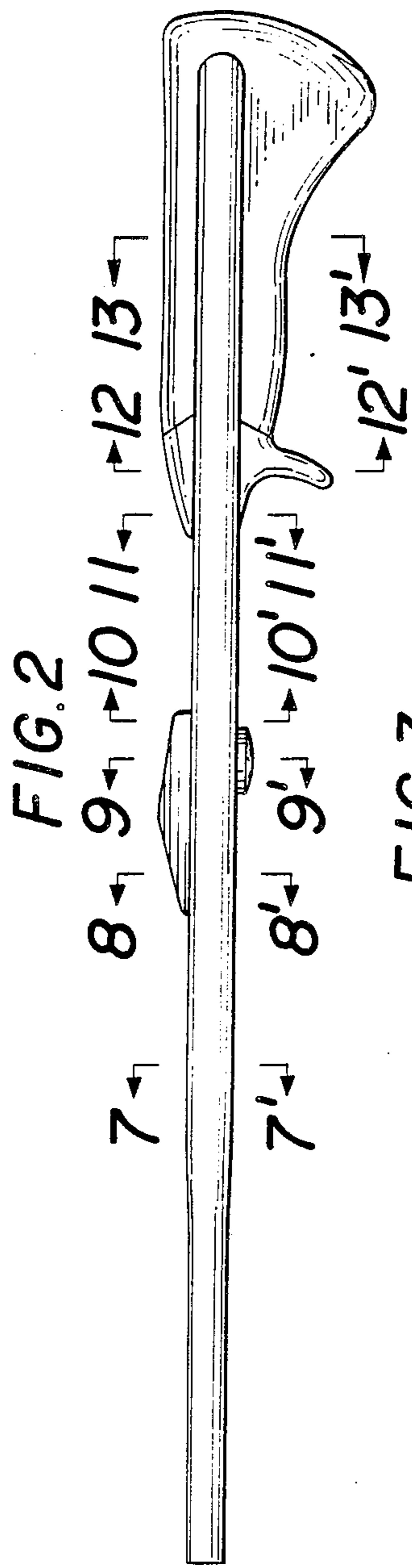
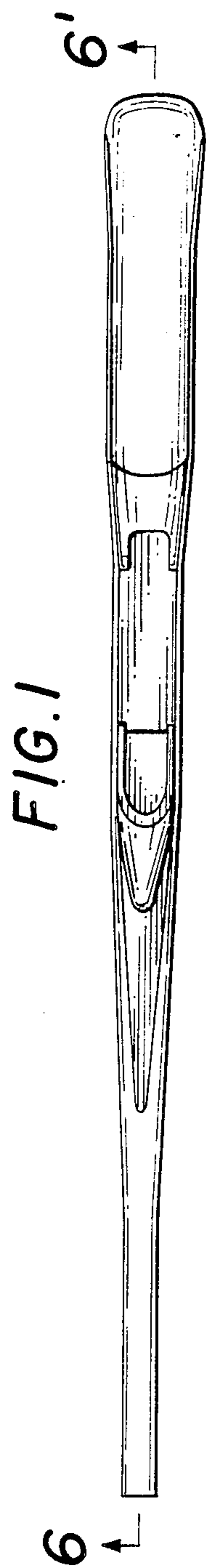


FIG. 4

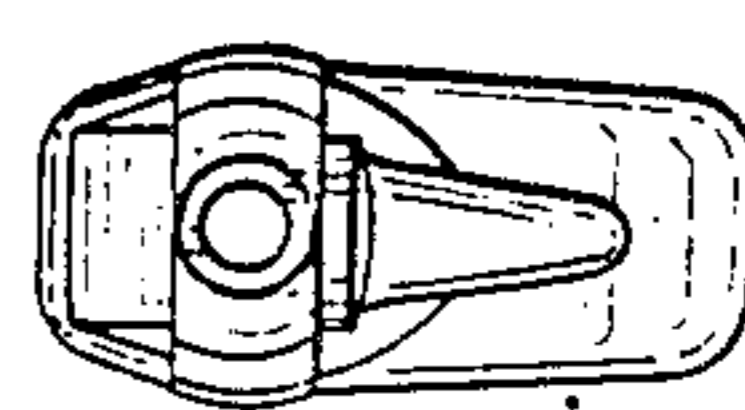


FIG. 5

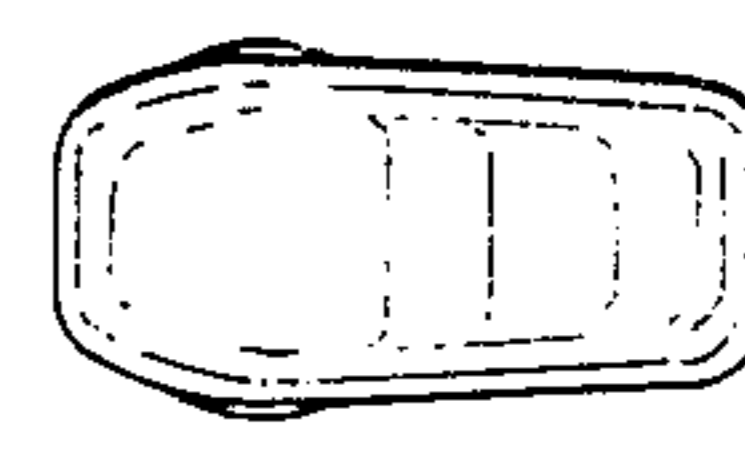


FIG. 6

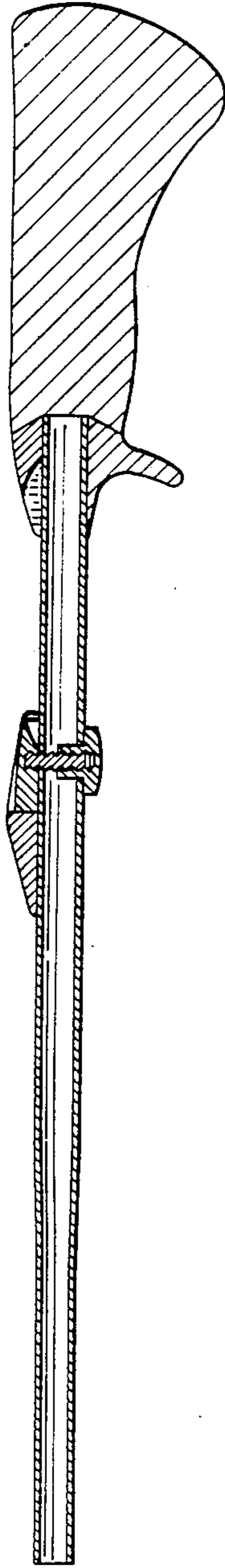


FIG. 7



FIG. 8



FIG. 9



FIG. 10

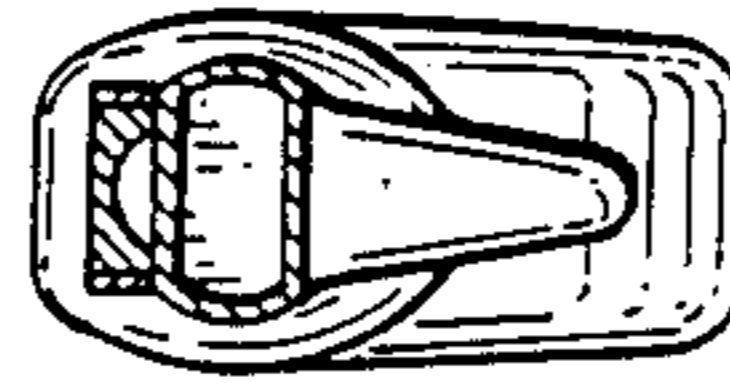


FIG. 11



FIG. 12

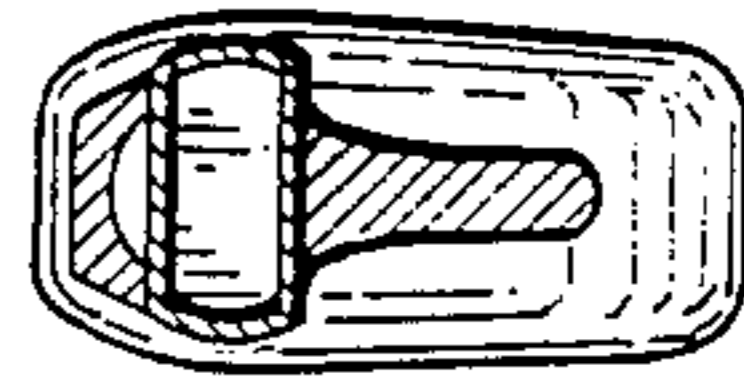


FIG. 13

