

[54] BICYCLE EXERCISER

[76] Inventor: Miguel M. Anitua, Barrio Lebario, Abadiano (Vizcaya), Spain

[\*\*] Term: 14 Years

[21] Appl. No.: 716,450

[22] Filed: Mar. 27, 1985

[52] U.S. Cl. .... D21/194

[58] Field of Search ..... D21/191-199; 272/73, 70.3, 132, DIG. 6; 73/379; 128/363, 364

[56] References Cited

U.S. PATENT DOCUMENTS

- D. 250,135 10/1978 Moyski et al. .... D21/194
- D. 251,309 3/1979 Nelson ..... D21/194

- D. 280,226 8/1985 Kasuba et al. .... D21/194
- D. 282,190 1/1986 Bell et al. .... D21/194
- D. 285,953 9/1986 Gustafsson et al. .... D21/194
- 2,238,295 4/1941 Snyder ..... D21/194
- 3,833,216 9/1974 Philbin ..... 272/73

Primary Examiner—Charles A. Rademaker  
Attorney, Agent, or Firm—Laff, Whitesel, Conte & Saret

[57] CLAIM

The ornamental design for a bicycle exerciser, as shown.

DESCRIPTION

FIG. 1 is a right side perspective view of a bicycle exerciser showing my new design; FIG. 2 is a bottom plan view thereof; FIG. 3 is a left side elevational view thereof; FIG. 4 is a top plan view thereof; and FIG. 5 is a front elevational view thereof.

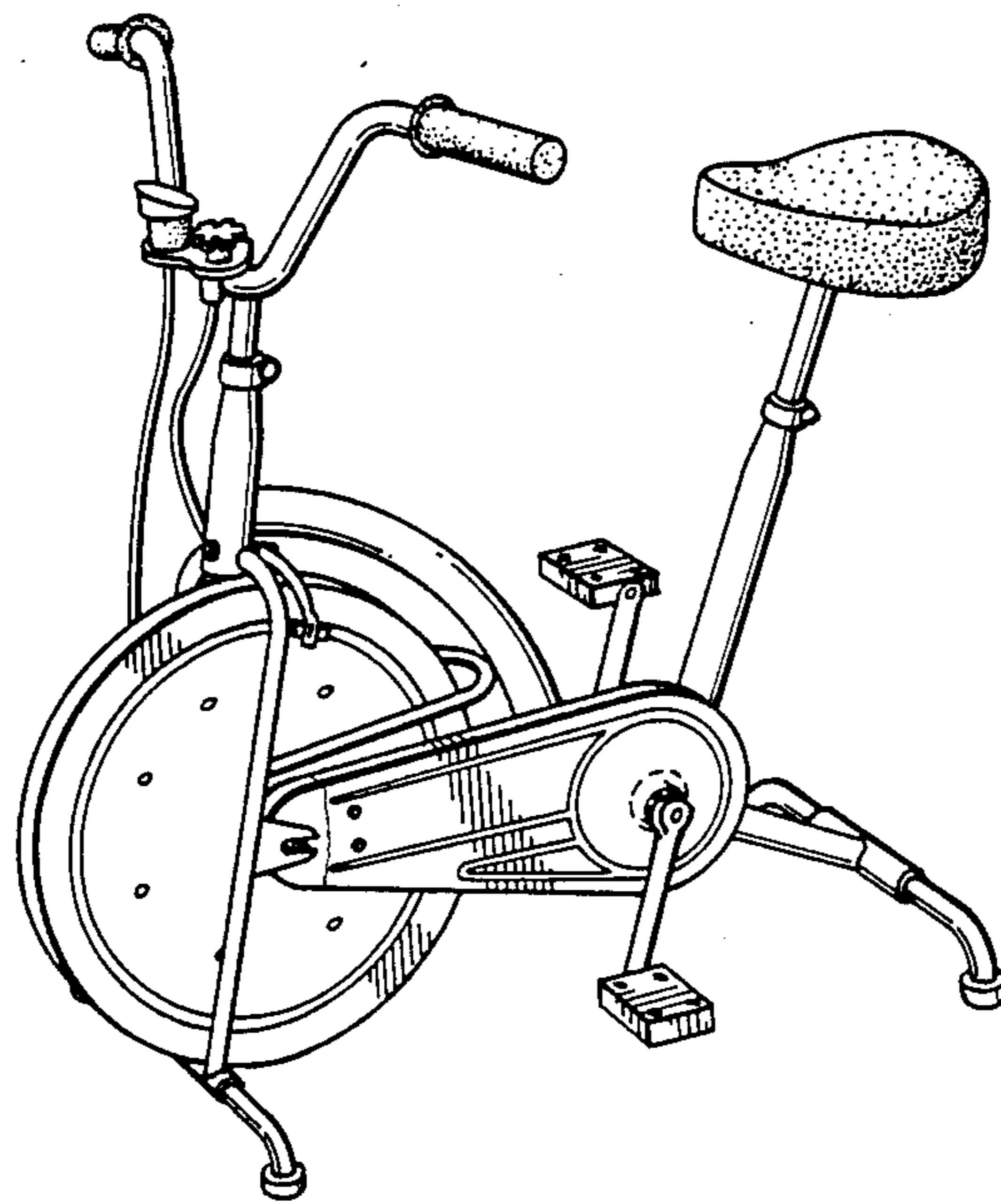


FIG. 1

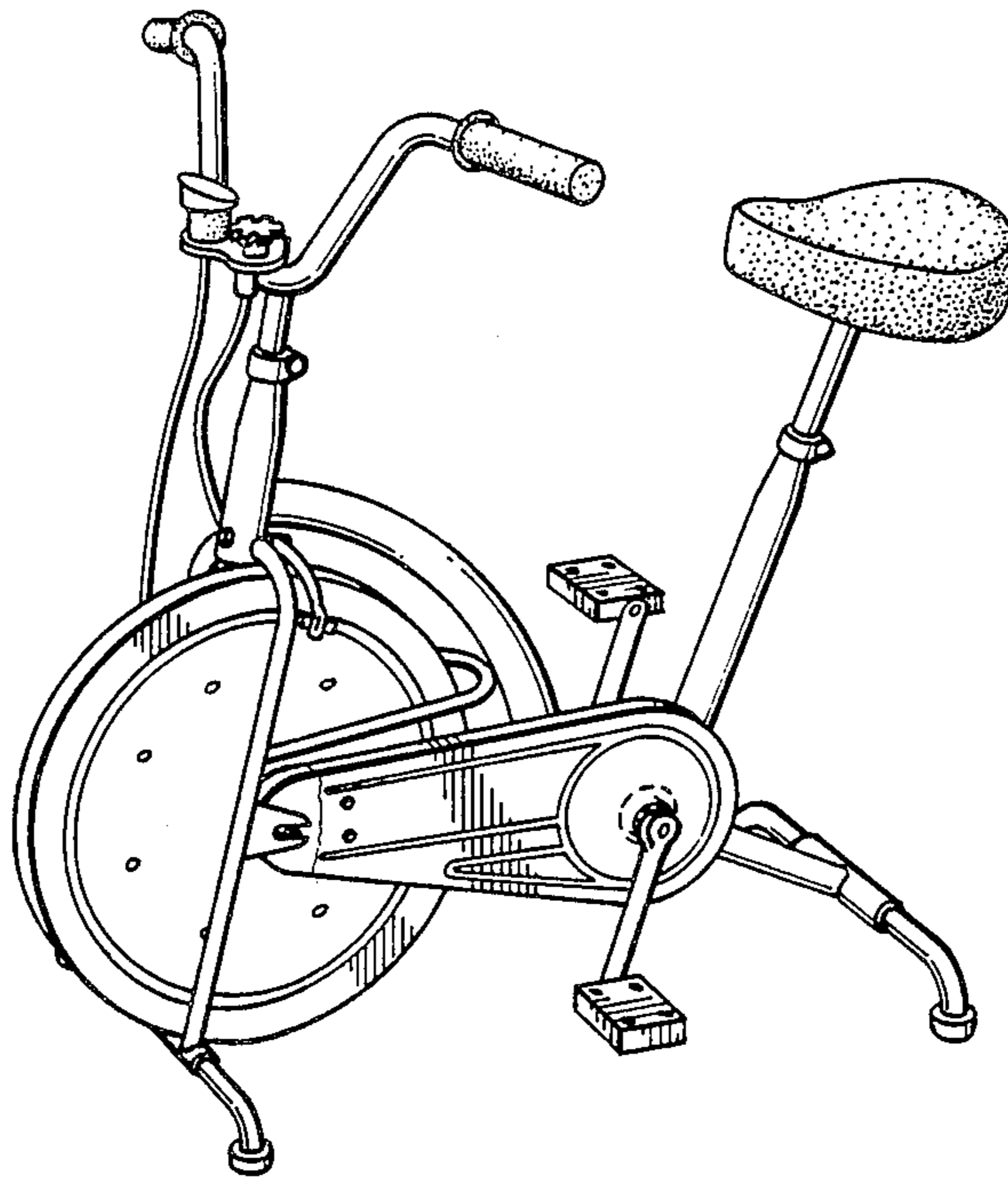


FIG. 2

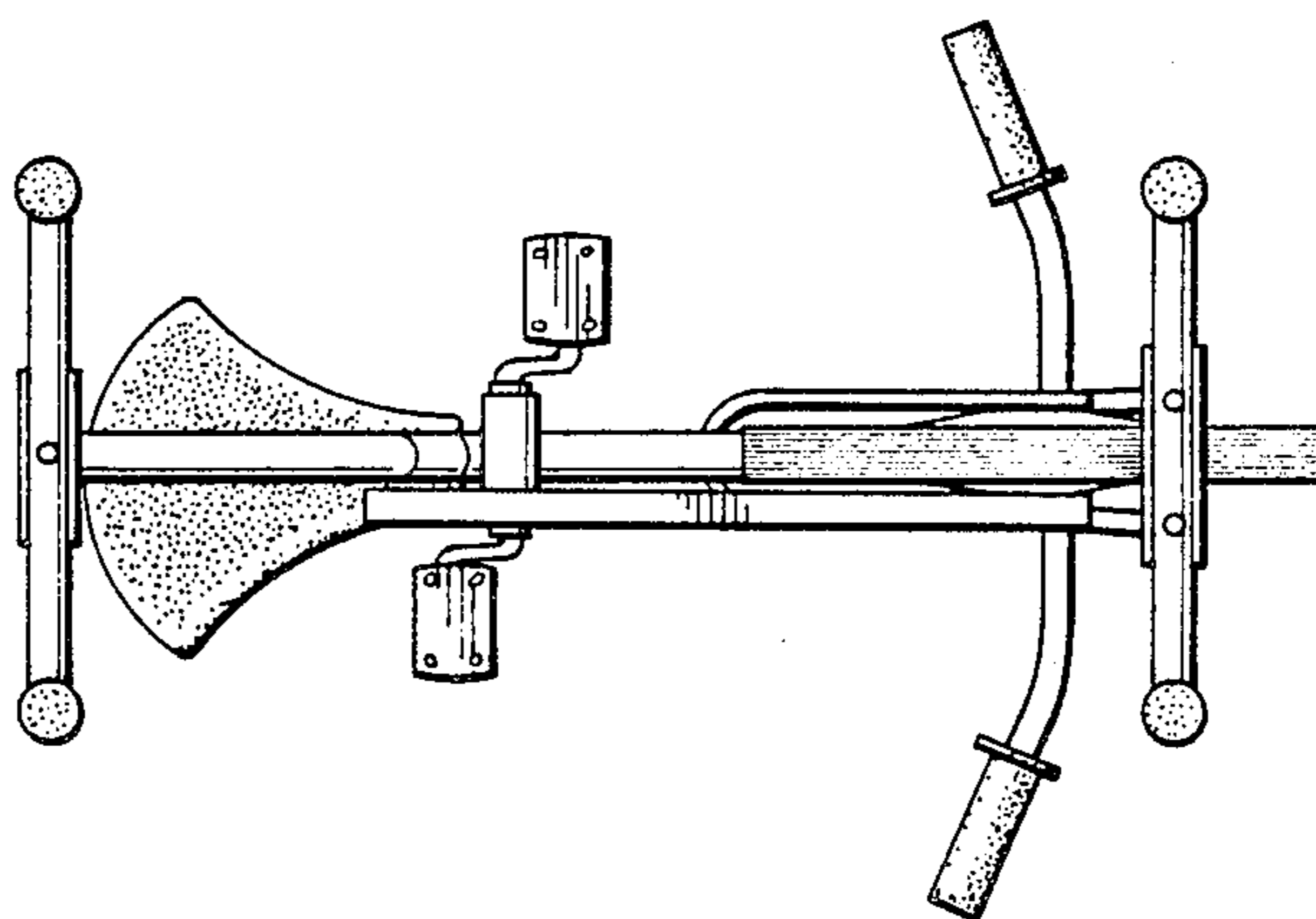


FIG. 5

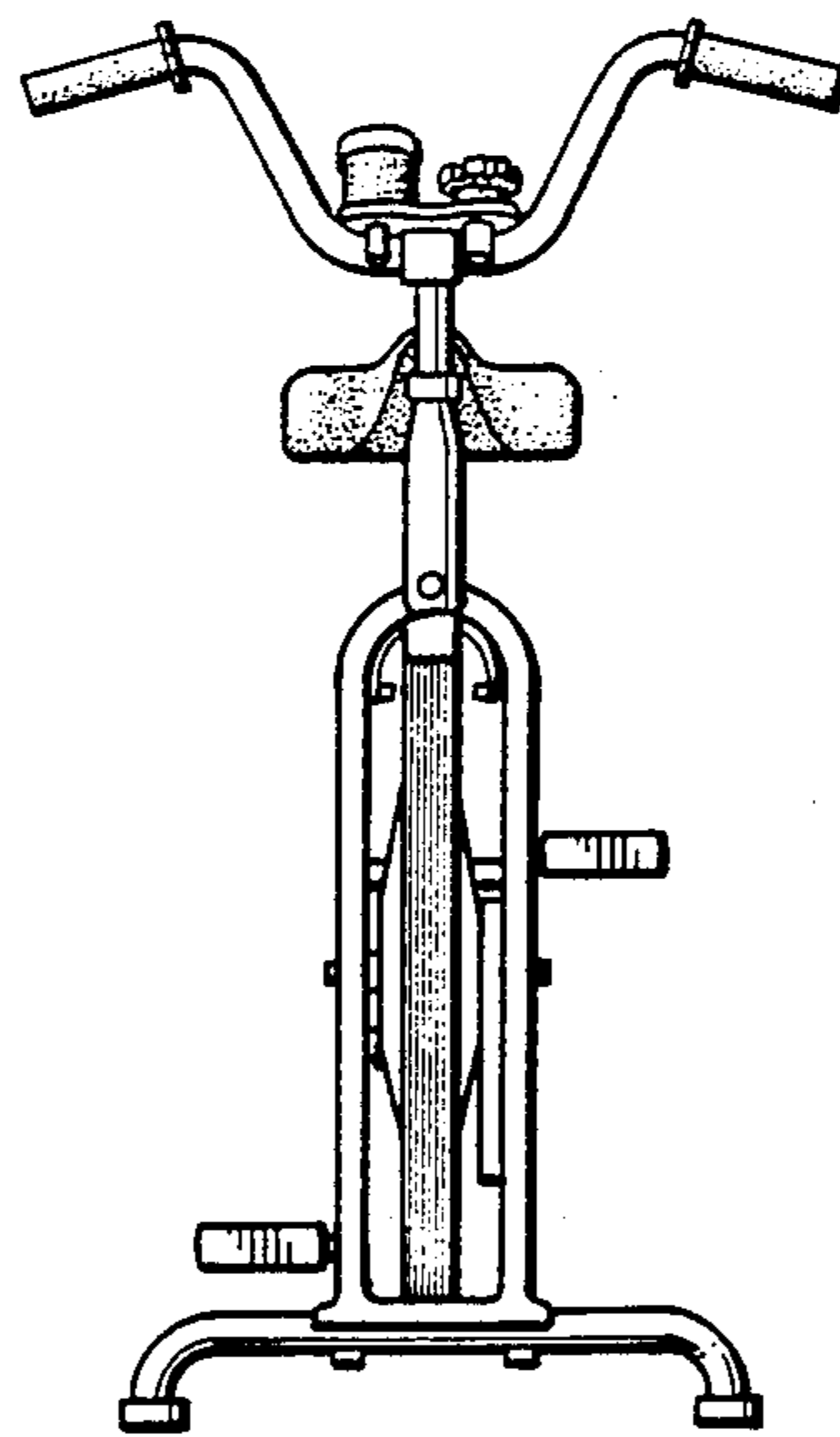


FIG. 3

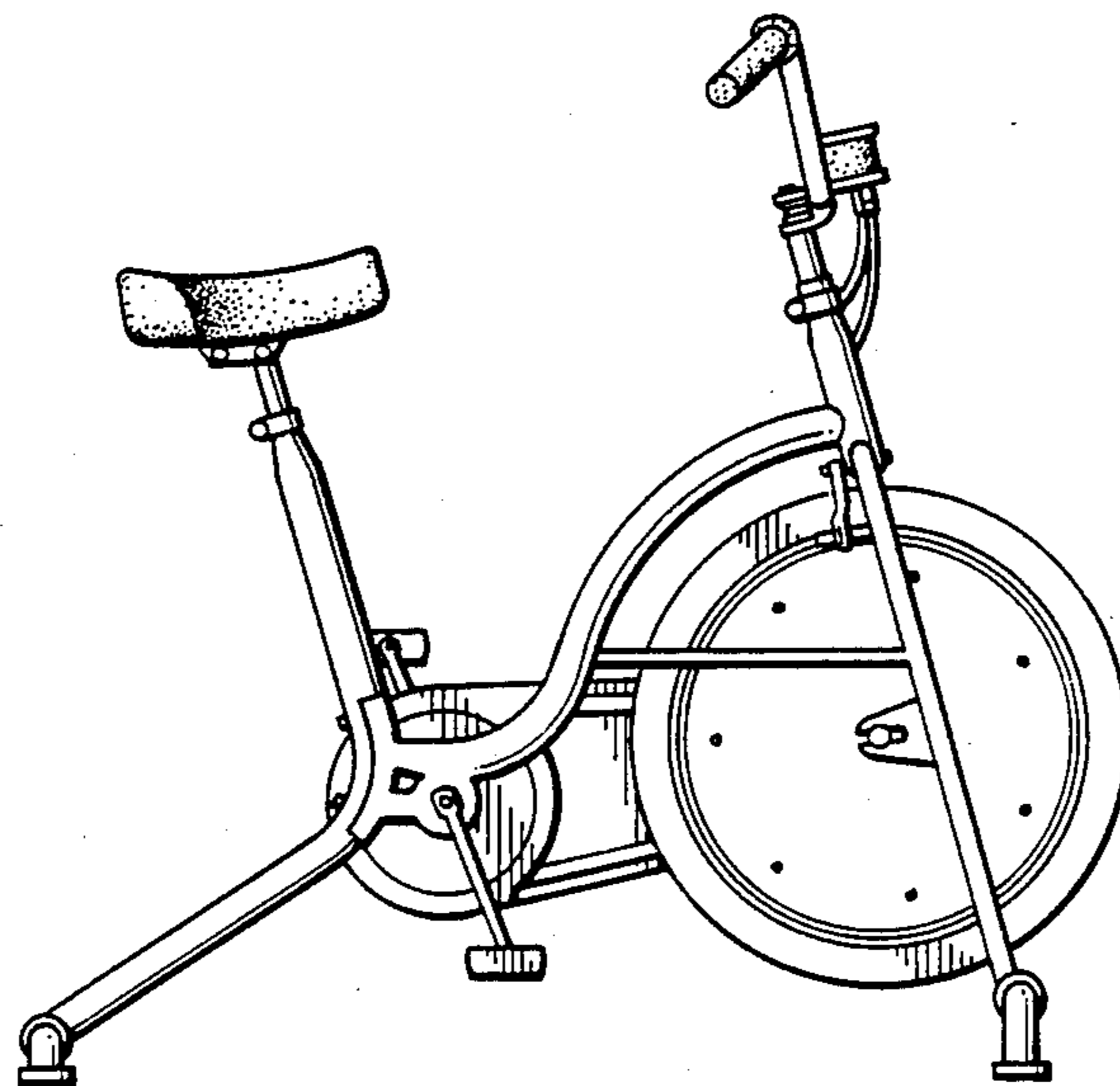


FIG. 4

