

[54] TOY MOBILE VEHICLE REPAIR FACILITY

[76] Inventor: Dale L. Lautt, 1822B E. Center St., Tempe, Ariz. 85281

[\*\*] Term: 14 Years

[21] Appl. No.: 809,127

[22] Filed: Dec. 16, 1985

[52] U.S. Cl. .... D21/134

[58] Field of Search ..... D12/101, 105; D21/134, D21/128, 141; 296/181, 182; 280/423 R; 446/448, 451, 465, 470

D. 267,800 2/1983 Tate ..... D12/101  
D. 277,689 2/1985 Smith ..... D21/134  
3,795,333 3/1974 Tebben ..... D12/101

Primary Examiner—Charles A. Rademaker  
Attorney, Agent, or Firm—James H. Phillips

[57] CLAIM

The ornamental design for toy mobile vehicle repair facility, as shown and described.

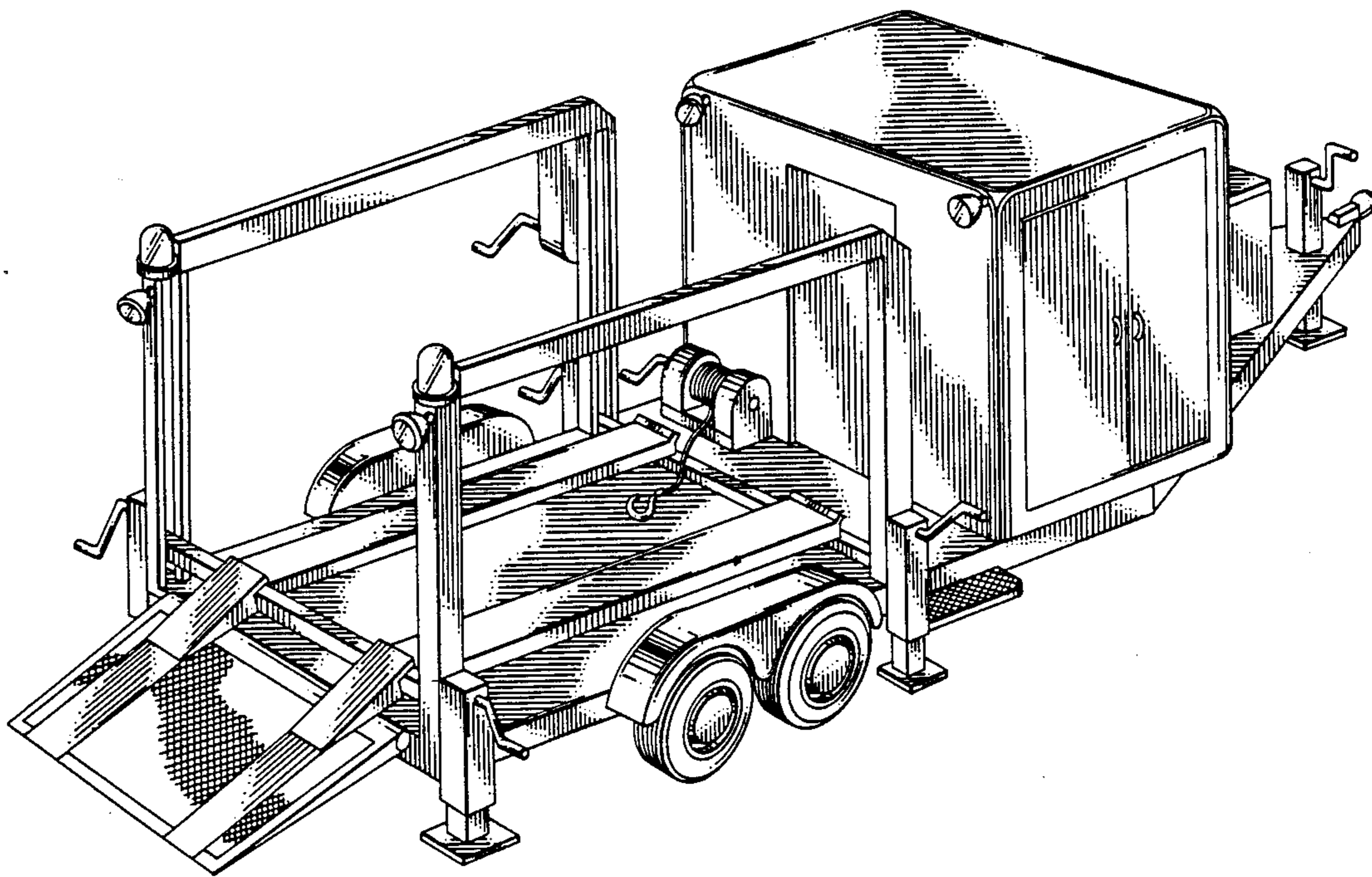
DESCRIPTION

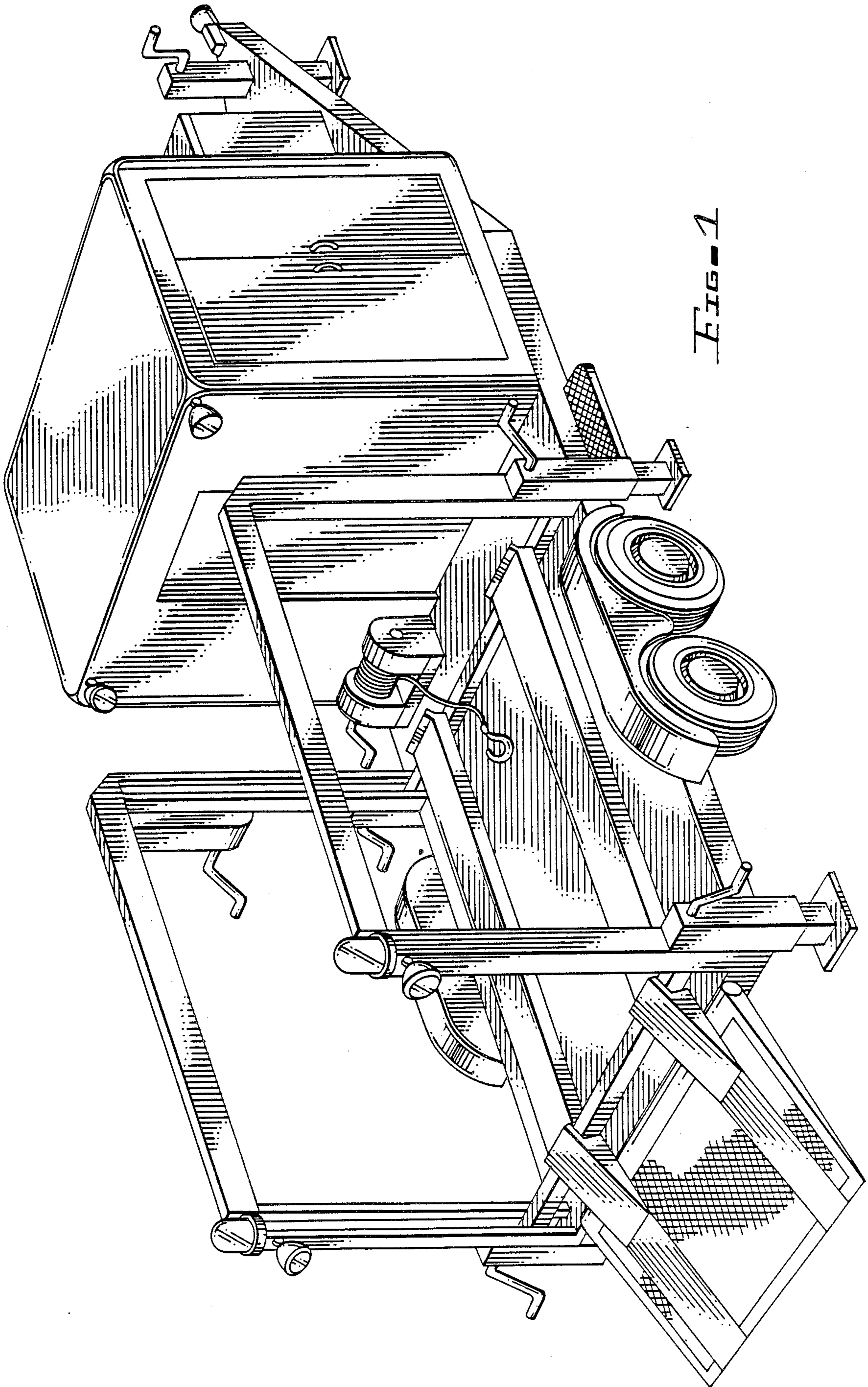
FIG. 1 is a perspective view of a toy mobile vehicle repair facility showing my new design; FIG. 2 is a right side elevational view thereof, the side opposite being a mirror image; FIG. 3 is a top plan view thereof; FIG. 4 is a rear elevational view thereof; FIG. 5 is a front elevational view thereof; and FIG. 6 is a bottom plan view thereof.

[56] References Cited

U.S. PATENT DOCUMENTS

D. 185,718 7/1959 Patton ..... D12/101  
D. 190,953 7/1961 Petersen et al. .... D12/101  
D. 237,064 10/1975 Whitney ..... D12/105





*Fig. 1*

FIG. 2

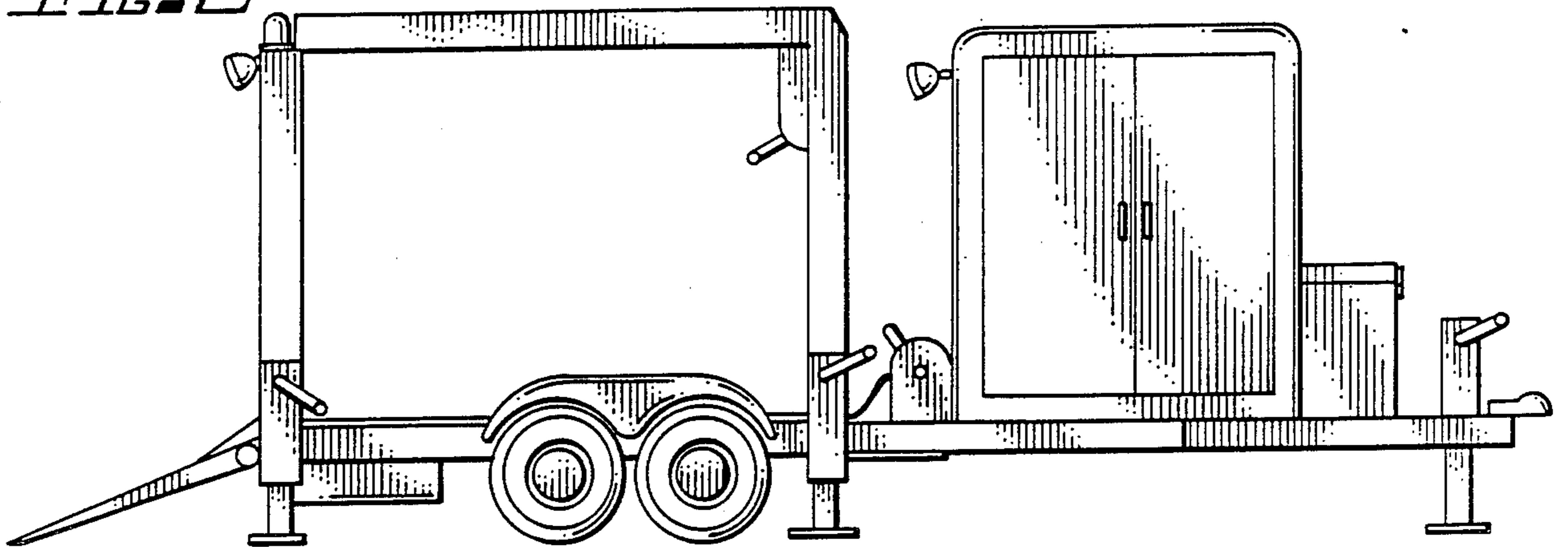


FIG. 3

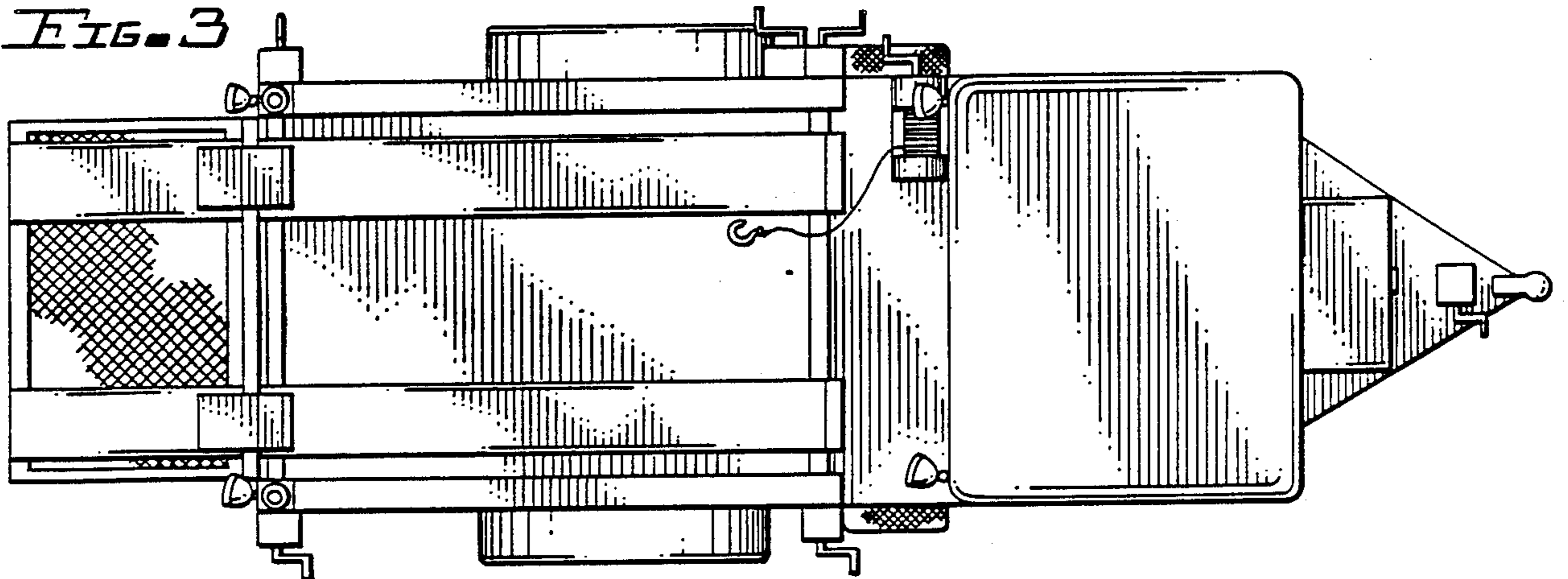


FIG. 4

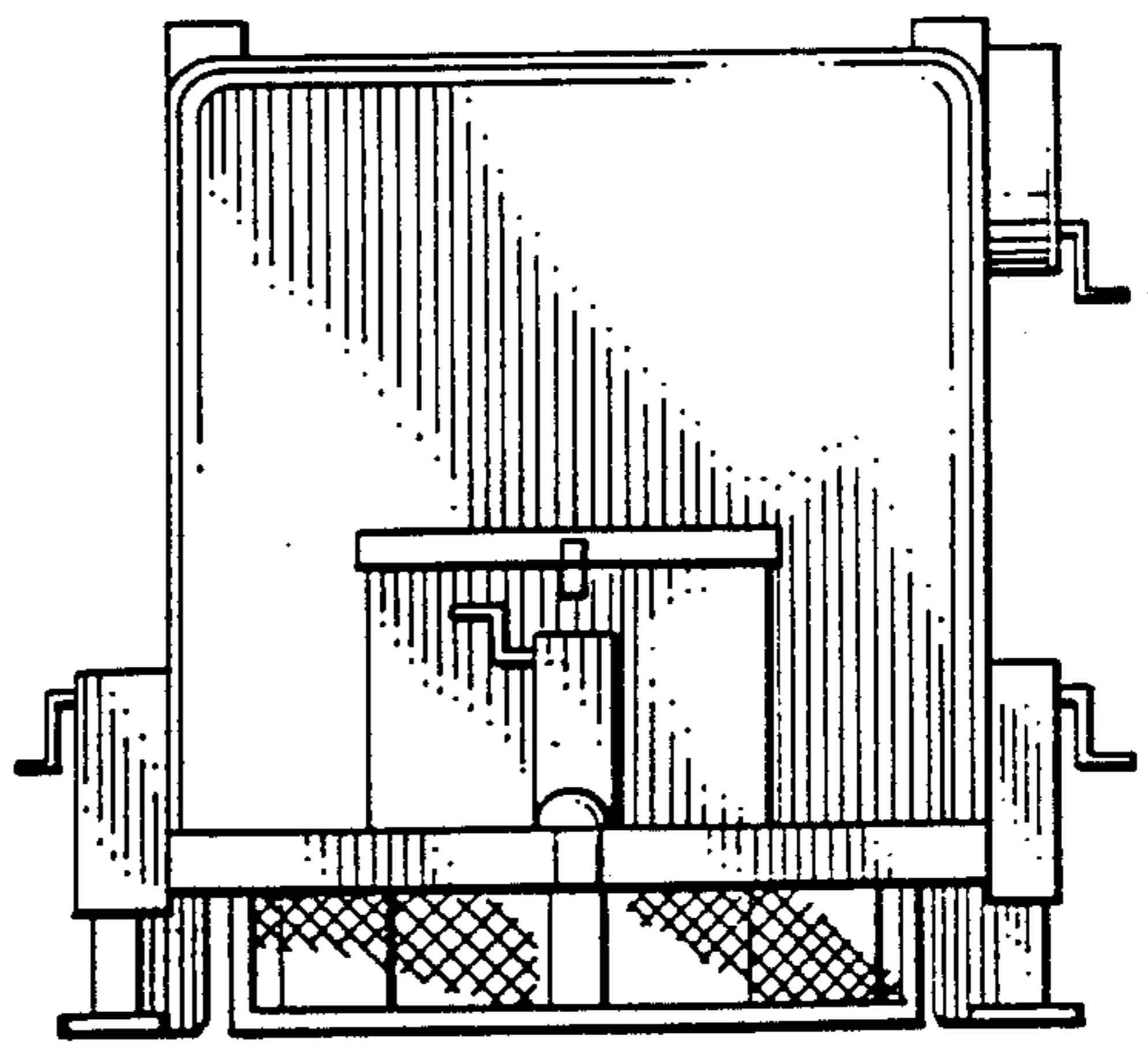
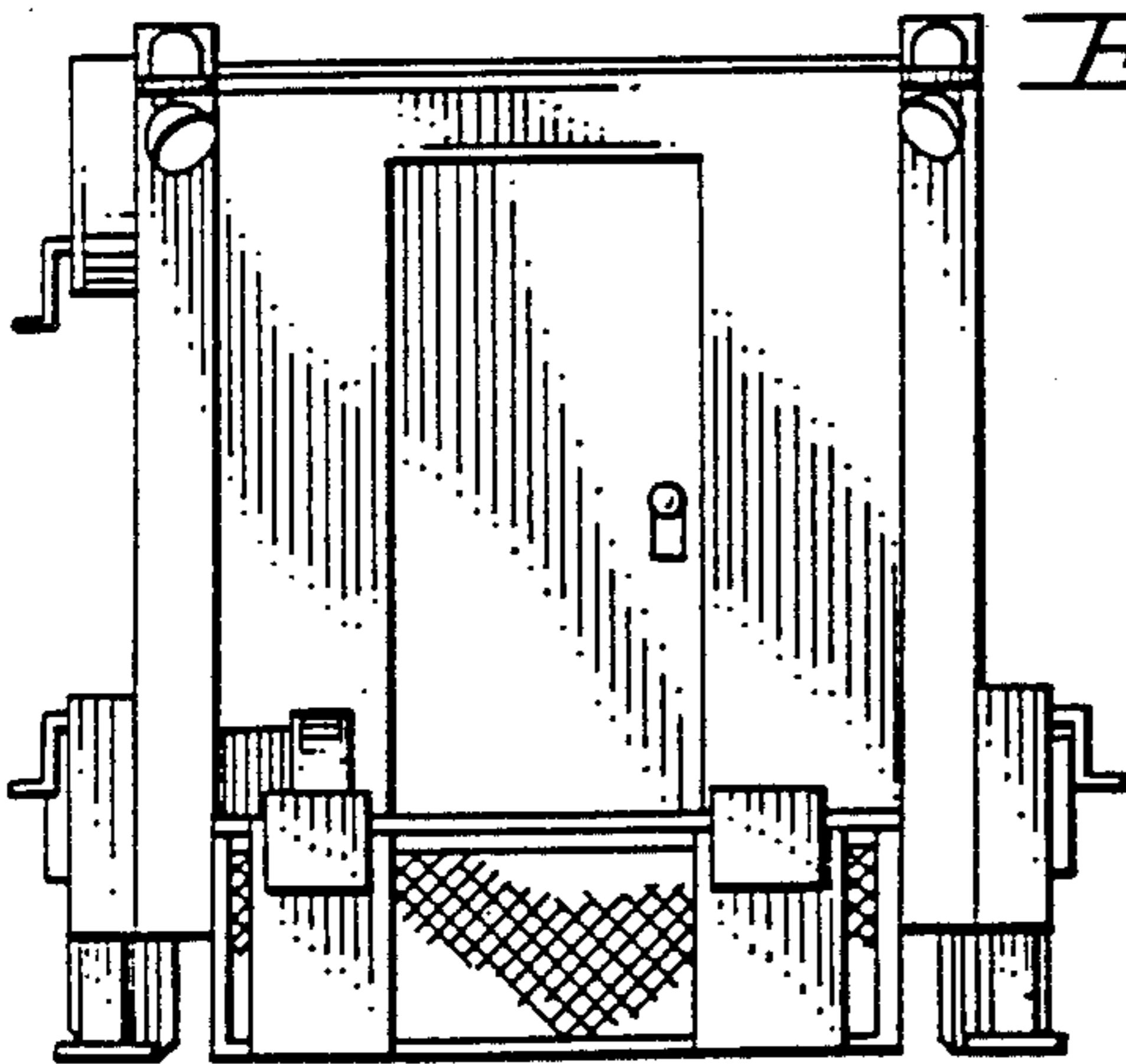


FIG. 5

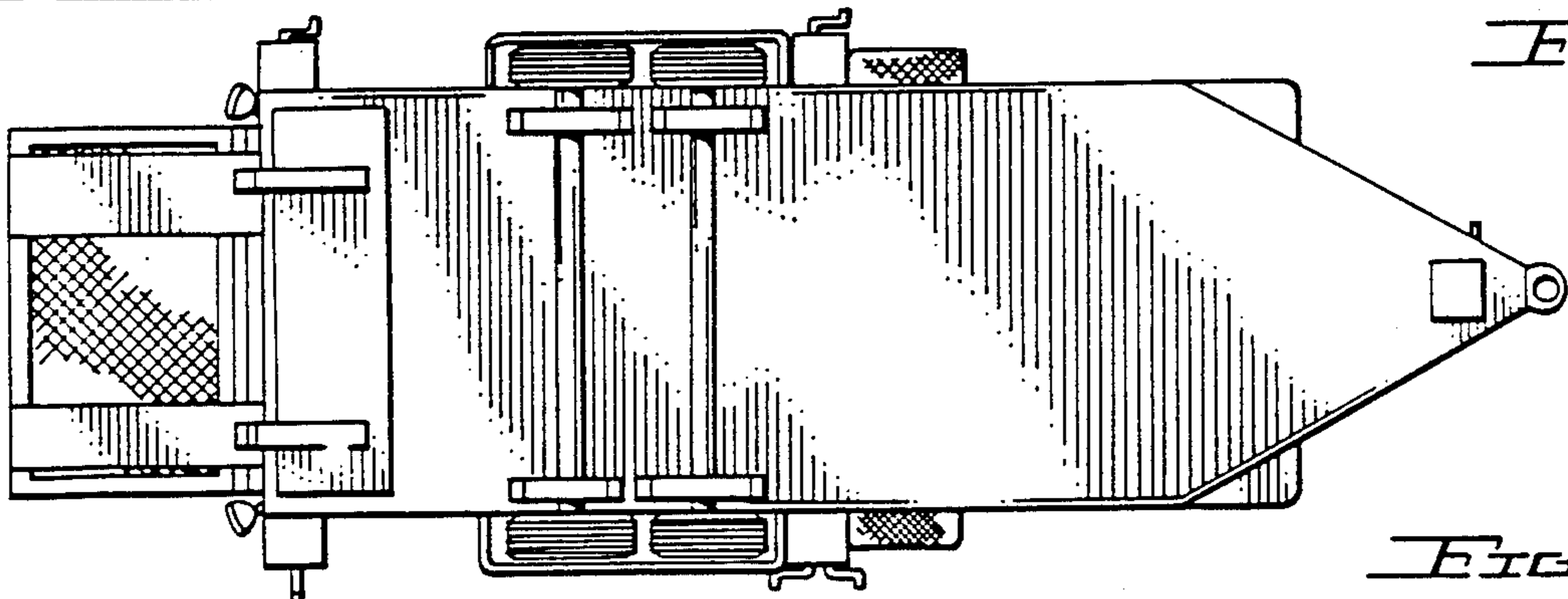


FIG. 6