

[54] TOY BRANCHED CONSTRUCTION ELEMENT

2,187,493 1/1940 Gordon D21/82
3,597,874 8/1971 Ogsbury 446/120

[75] Inventor: Jens N. Knudsen, Billund, Denmark

Primary Examiner—Charles A. Rademaker
Attorney, Agent, or Firm—Kane, Dalsimer, Sullivan,
Kurucz, Levy, Eisele and Richard

[73] Assignee: Interlego A.G., Baar, Switzerland

[**] Term: 14 Years

[57] CLAIM

[21] Appl. No.: 935,563

The ornamental design for a toy branched construction element, as shown and described.

[22] Filed: Nov. 26, 1986

DESCRIPTION

[52] U.S. Cl. D21/108

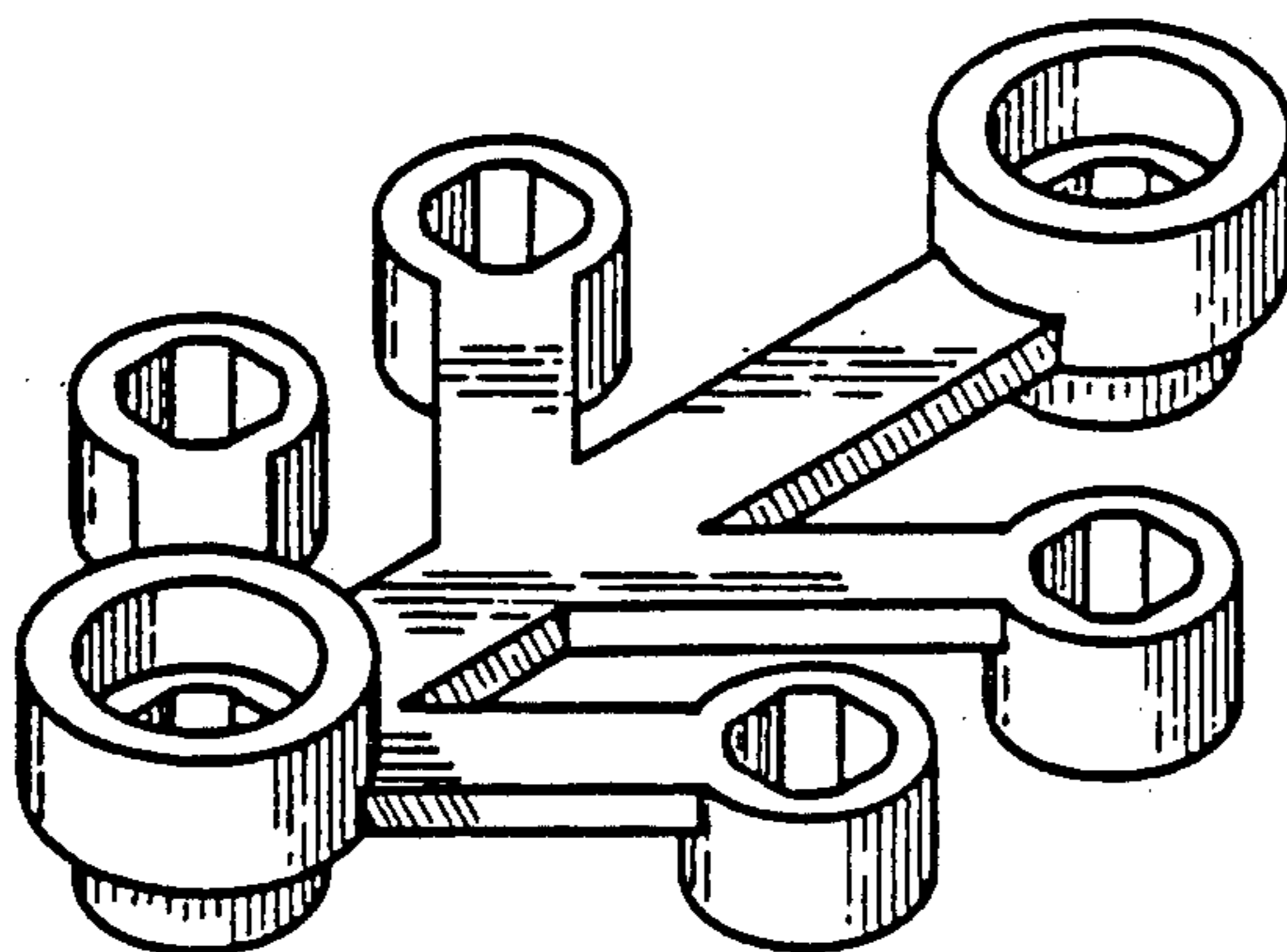
[58] Field of Search D21/59, 108, 104;
446/85, 102, 107, 118, 119, 120, 121, 122, 124,
126; D25/100, 102, 128

FIG. 1 is a top perspective view of the toy branched construction element showing my new design, FIG. 2 is a bottom perspective view thereof, FIG. 3 is a front elevational view thereof, FIG. 4 is a side elevational view thereof the side opposite being a mirror image, FIG. 5 is a top plan view thereof, FIG. 6 is a bottom plan view thereof, and FIG. 7 is a rear elevational view thereof.

[56] References Cited

U.S. PATENT DOCUMENTS

- D. 156,405 12/1949 Gay D25/100
- D. 235,218 5/1975 Jones D21/104



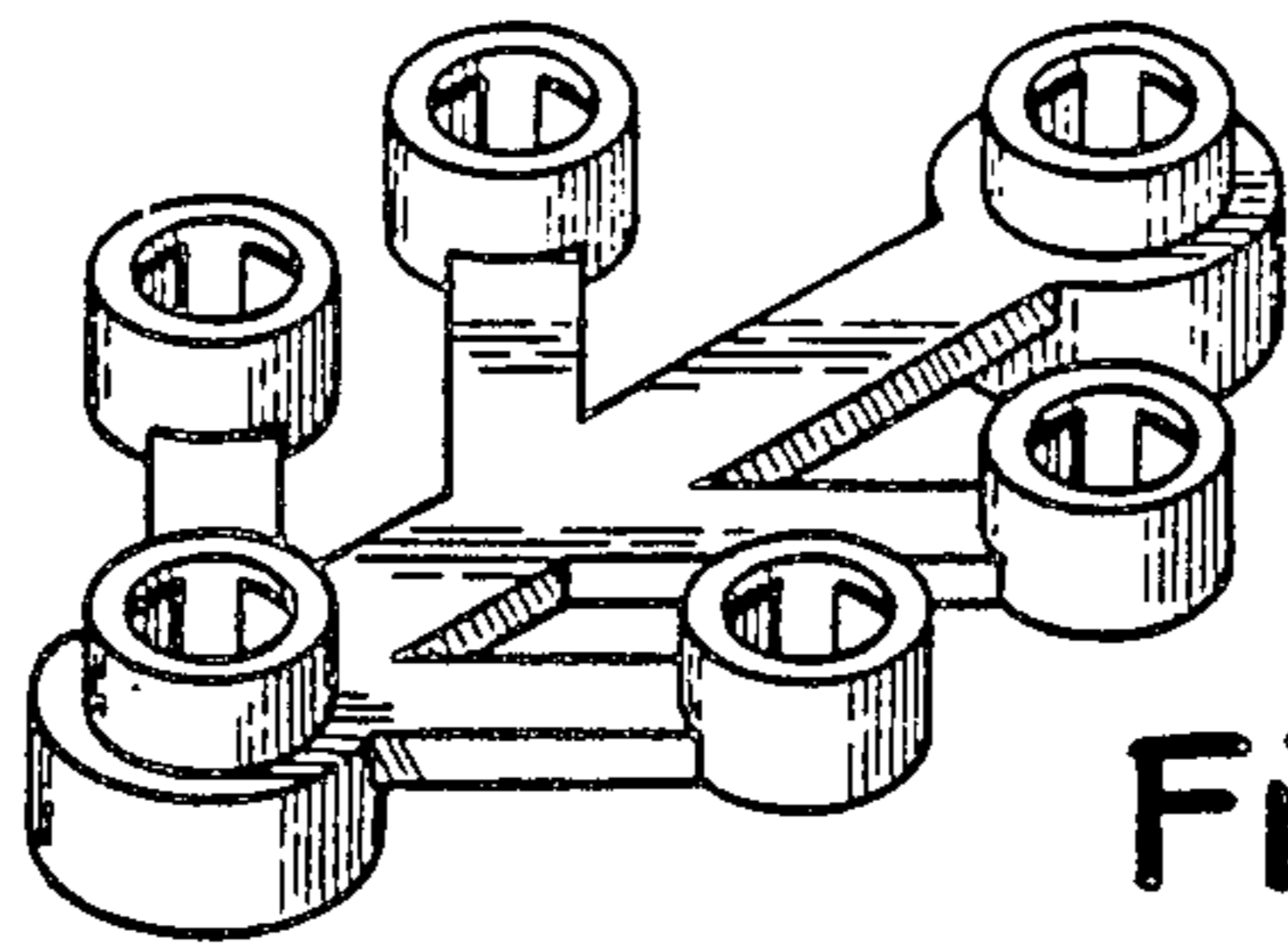


Fig. 2

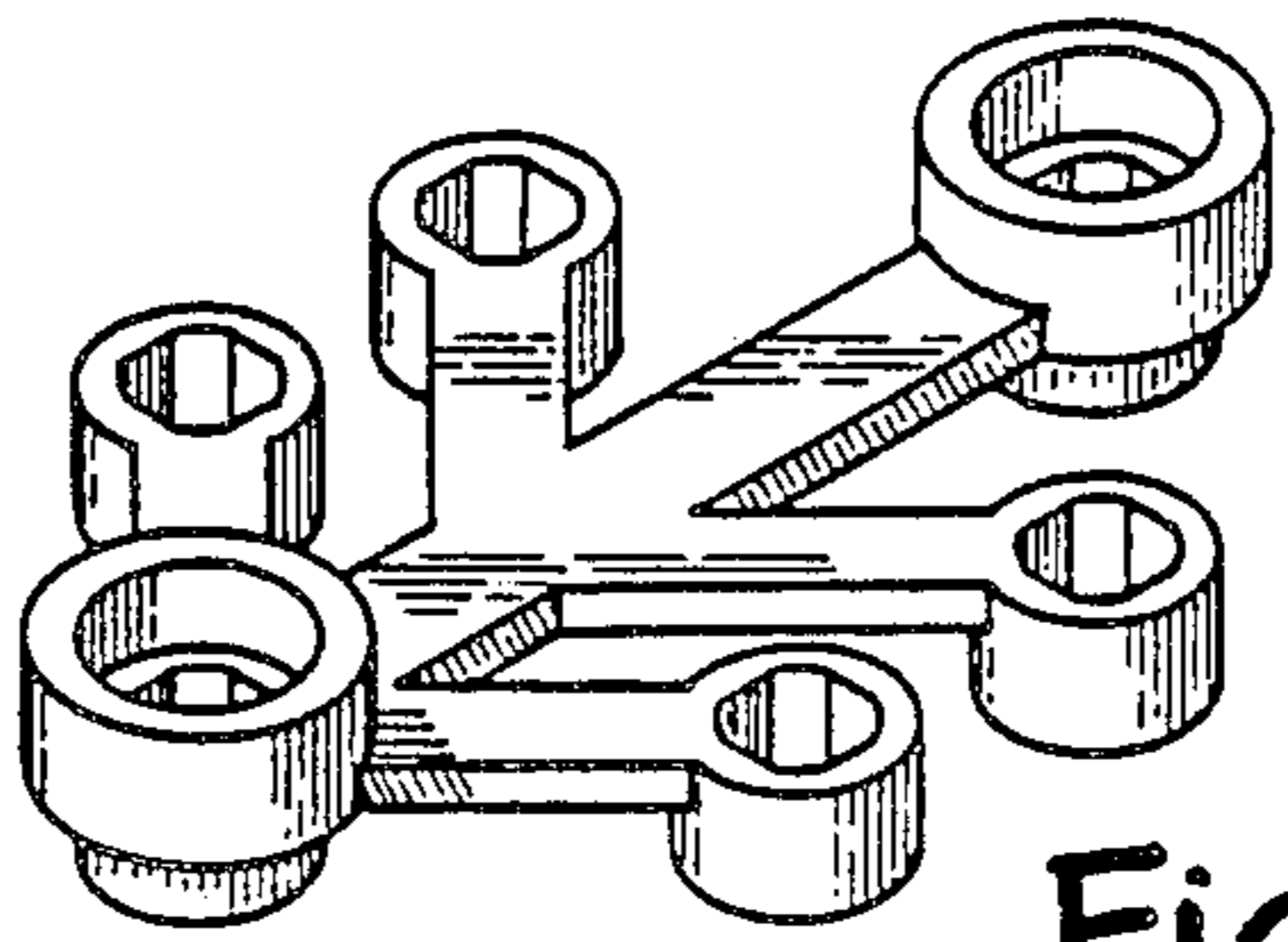


Fig. 1



Fig. 7

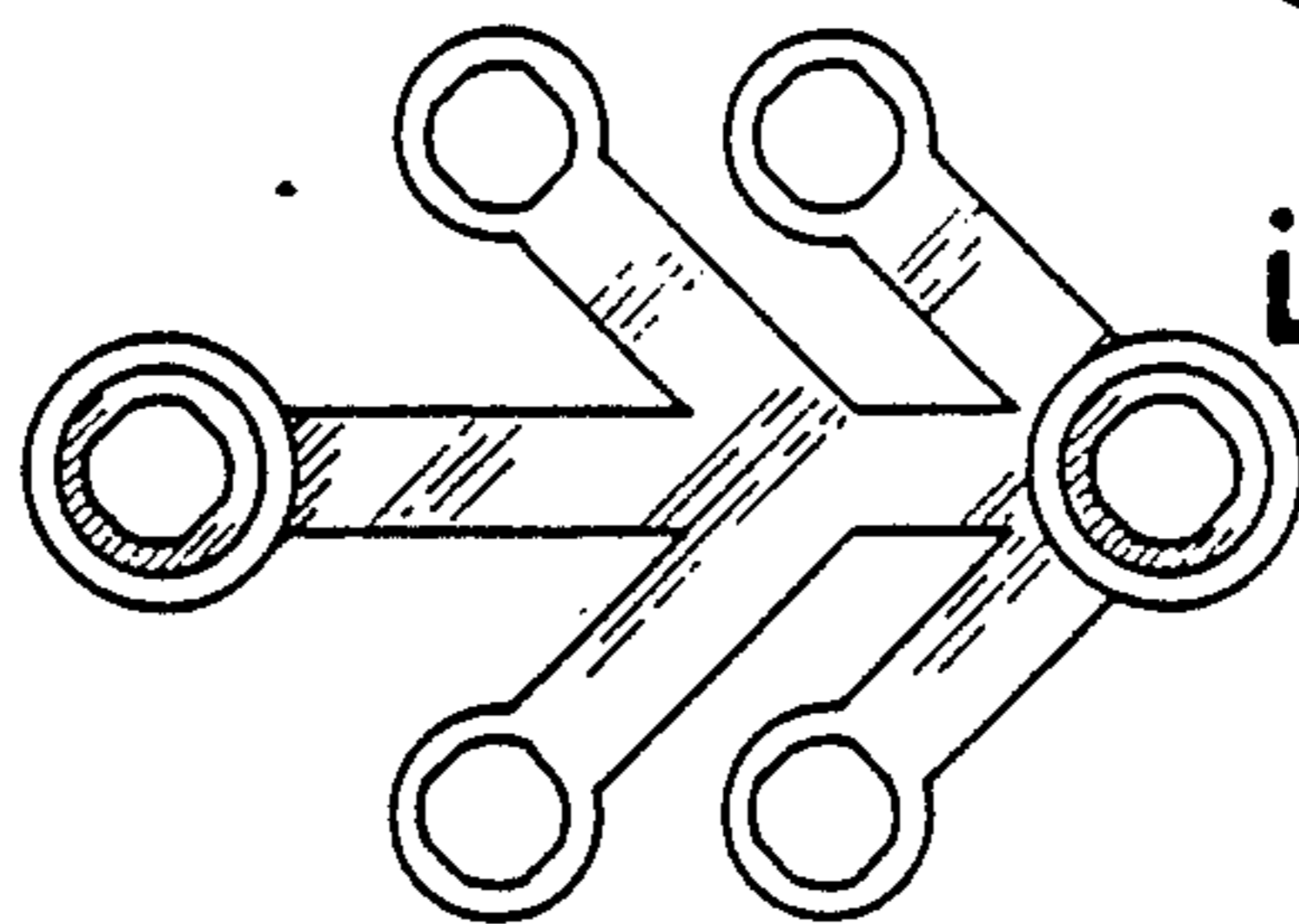


Fig. 5



Fig. 4

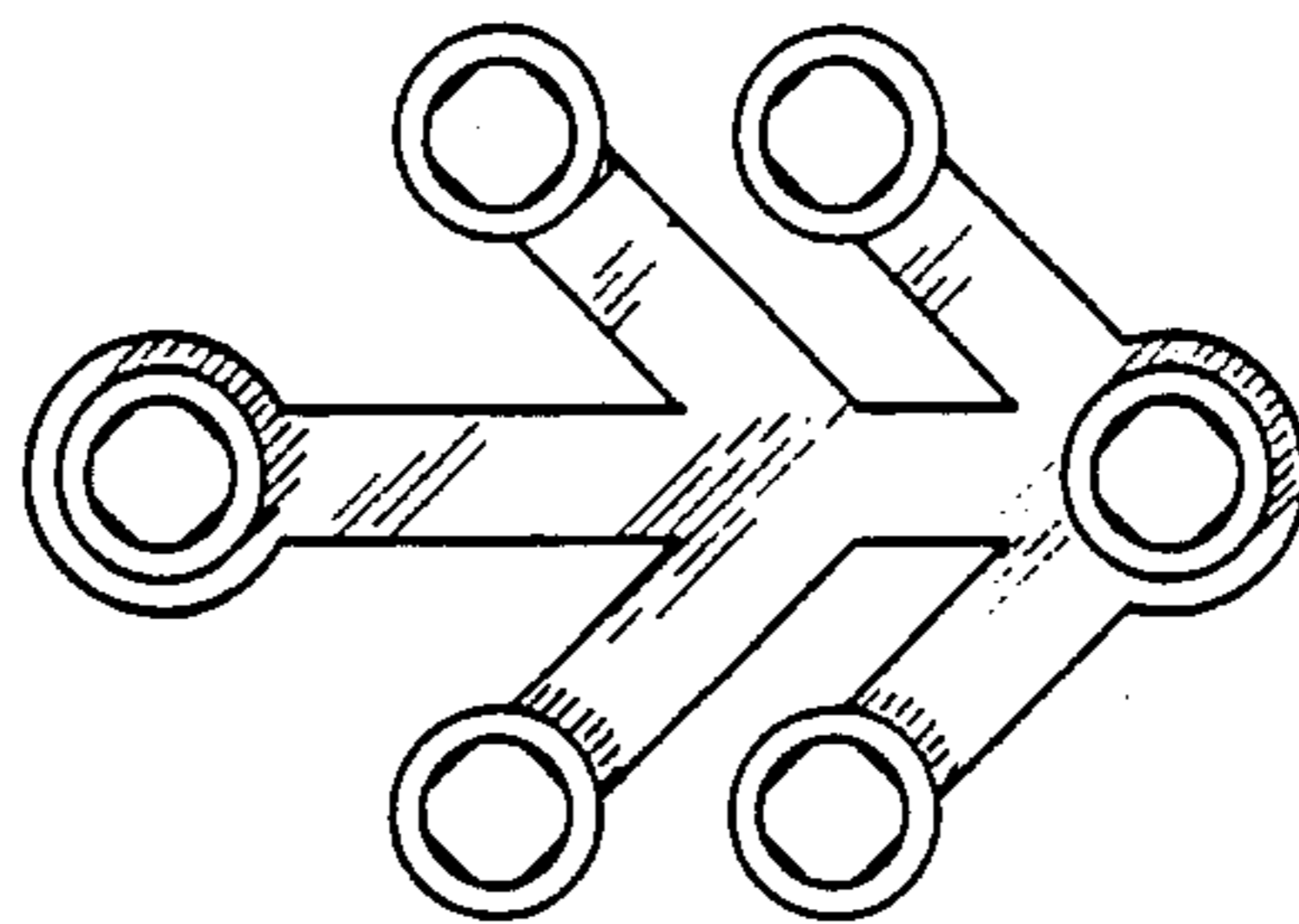


Fig. 6



Fig. 3