

[54] TOY INTERCONNECTING ROAD FENCE OR THE LIKE

[75] Inventor: Tokuo Takahashi, Tokyo, Japan

[73] Assignee: Kawada Co., Ltd., Tokyo, Japan

[**] Term: 14 Years

[21] Appl. No.: 757,349

[22] Filed: Jul. 22, 1985

[30] Foreign Application Priority Data

Mar. 27, 1985 [JP] Japan 60-011945

[52] U.S. Cl. D21/108; D21/123

[58] Field of Search D21/108, 59, 109, 114, D21/115, 116, 117, 118, 119, 122; 496/118, 102, 105, 106, 107, 120, 124, 487, 488, 489, 490

[56] References Cited

U.S. PATENT DOCUMENTS

D. 244,307 5/1977 Maddestra et al. D21/108

D. 284,019 5/1986 Arigaya D21/141

4,227,337 10/1980 Murray et al. 496/118

OTHER PUBLICATIONS

Toys to Grow On, p. 17, item 1205, Fence Rail.

Primary Examiner—Charles A. Rademaker
Attorney, Agent, or Firm—Don B. Finkelstein

[57] CLAIM

The ornamental design for a toy interconnecting road fence or the like, substantially as shown and described.

DESCRIPTION

FIG. 1 is a perspective view of a toy interconnecting road fence of the like showing my design;

FIG. 2 is a top plan view thereof;

FIG. 3 is front elevational view thereof; the rear elevational view being identical thereto;

FIG. 4 is a right side elevational view thereof, the left side elevational view being identical thereto;

FIG. 5 is a bottom plan view thereof;

FIG. 6 is a cross-sectional view along the line 6—6 of FIG. 3; and,

FIG. 7 is a cross-sectional view along the line 7—7 of FIG. 3.

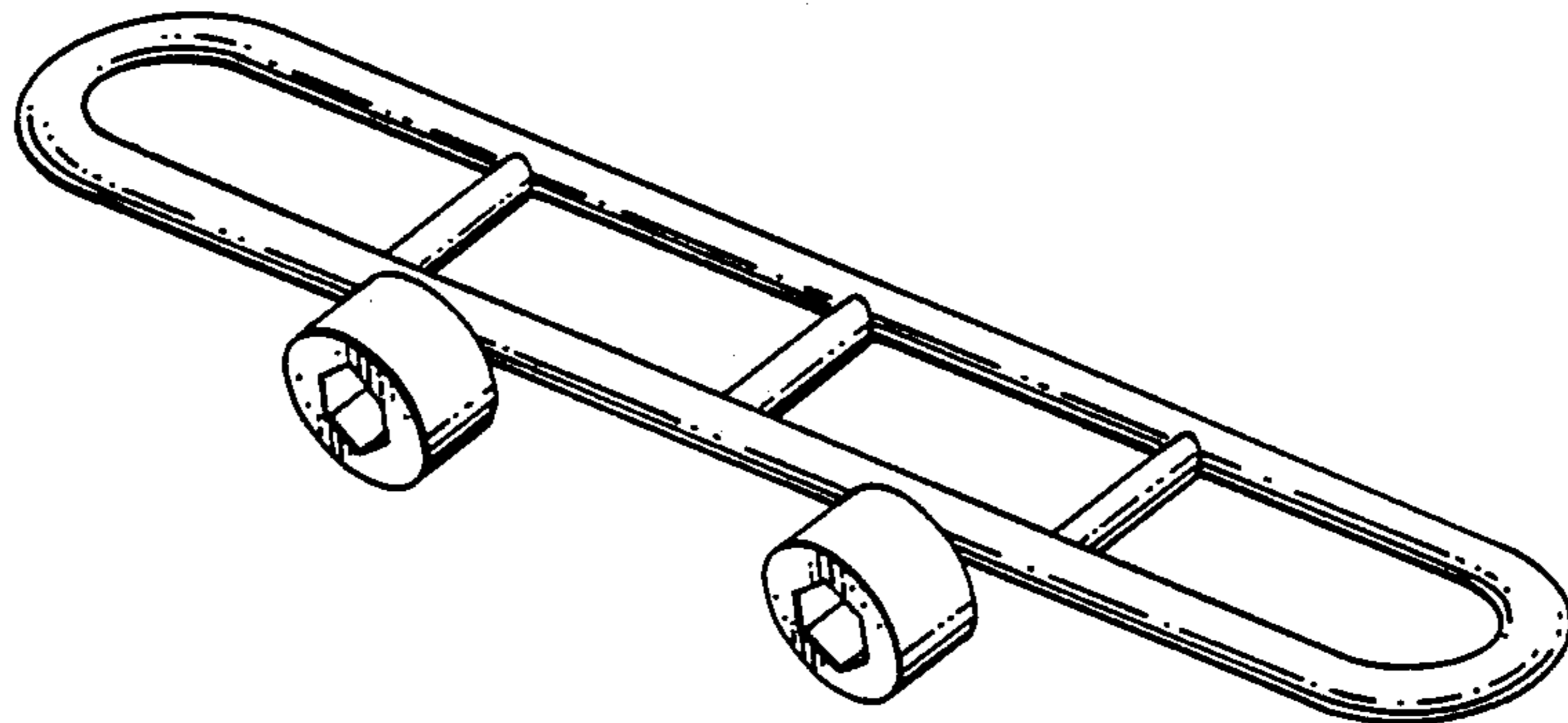


FIG. 1

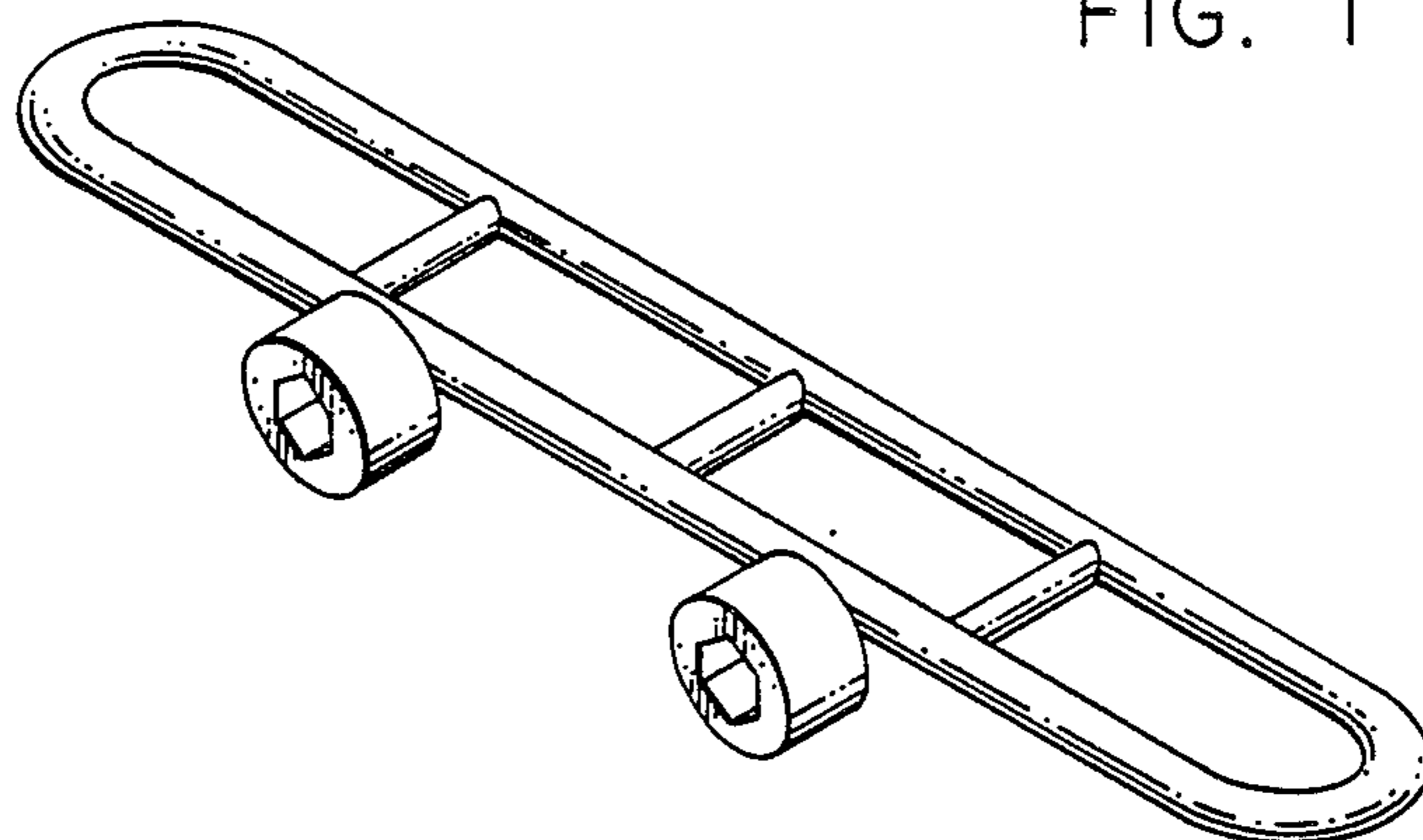


FIG. 2

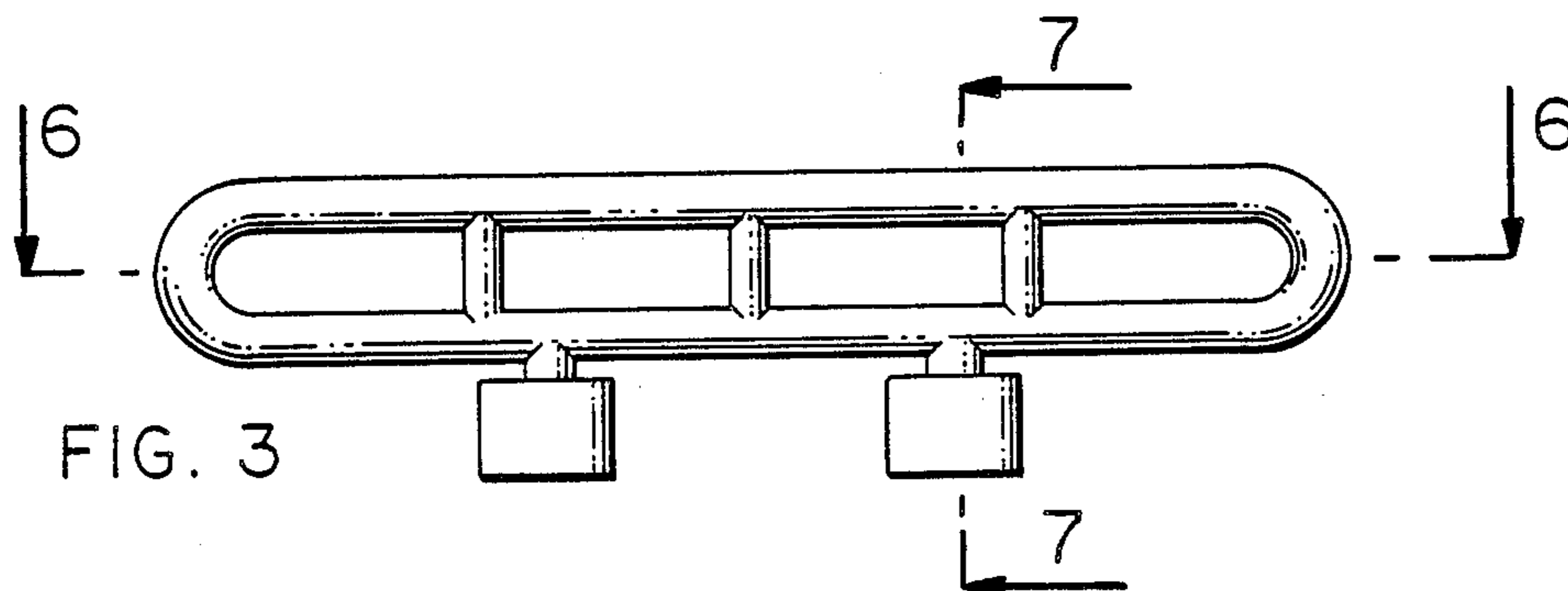
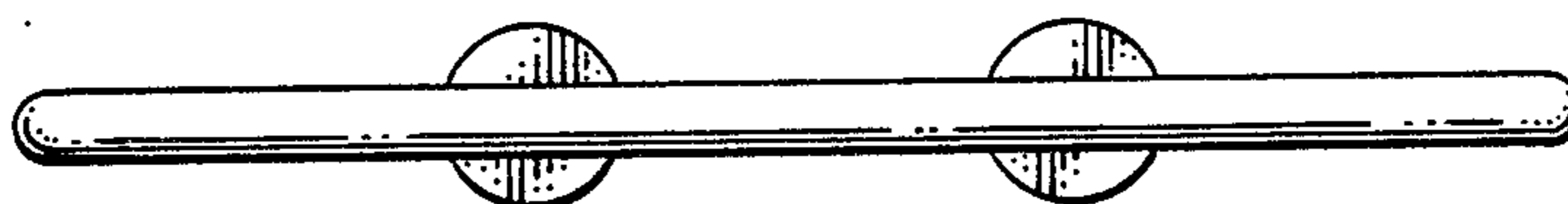


FIG. 3

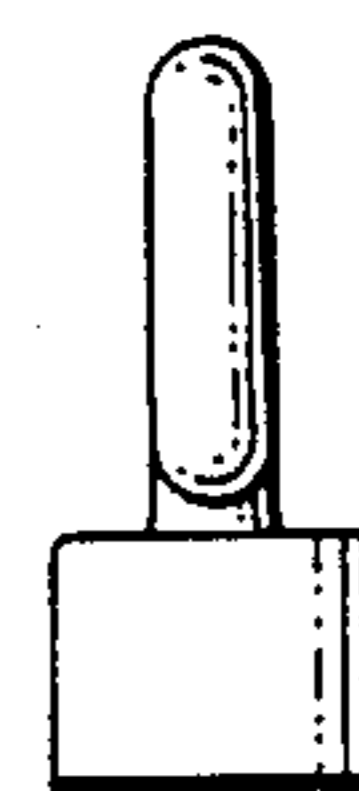


FIG. 4

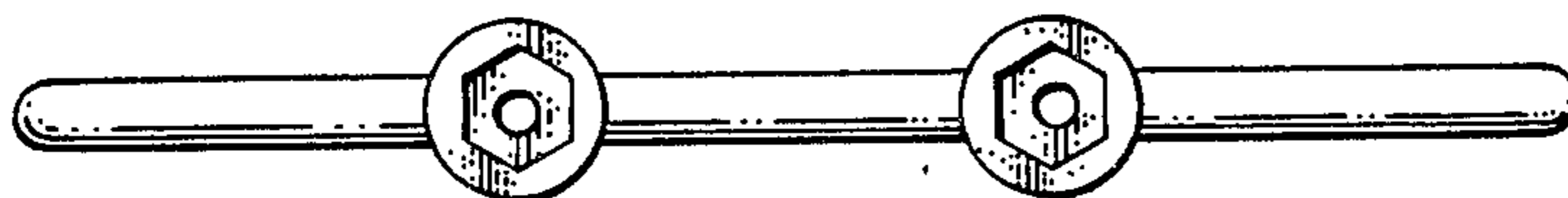


FIG. 5



FIG. 6

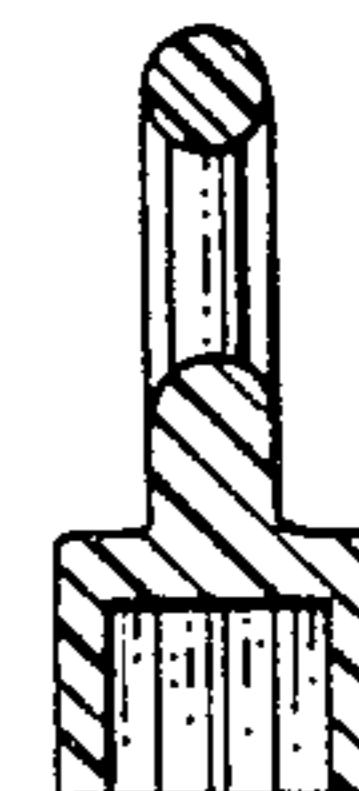


FIG. 7