

[54] SQUARE DRUM WITH STAND RING

D. 270,052 8/1983 Weiman D14/38
D. 286,149 10/1986 Tucker D14/38
D. 288,696 3/1987 Hoshino D17/22
4,254,685 3/1981 Rose D17/22 X

[75] Inventor: Frederick W. Jowitt, Wantage, England

[73] Assignee: Metal Box P.L.C., Reading, England

Primary Examiner—Bernard Ansher
Assistant Examiner—Theodore M. Shooman
Attorney, Agent, or Firm—Burns, Doane, Swecker & Mathis

[**] Term: 14 Years

[21] Appl. No.: 898,423

[22] Filed: Aug. 20, 1986

[57] CLAIM

[30] Foreign Application Priority Data

The ornamental design for a square drum with stand ring, as shown and described.

Mar. 4, 1986 [GB] United Kingdom 1032617

[52] U.S. Cl. D17/22

[58] Field of Search D17/22, 99; 84/411, 84/411 A, 411 M, 411 P, 419, 420, 421

DESCRIPTION

[56] References Cited

FIG. 1 is a front elevational view of a square drum with stand ring showing my new design, the rear and sides being mirror images;

U.S. PATENT DOCUMENTS

FIG. 2 is a top plan view thereof;

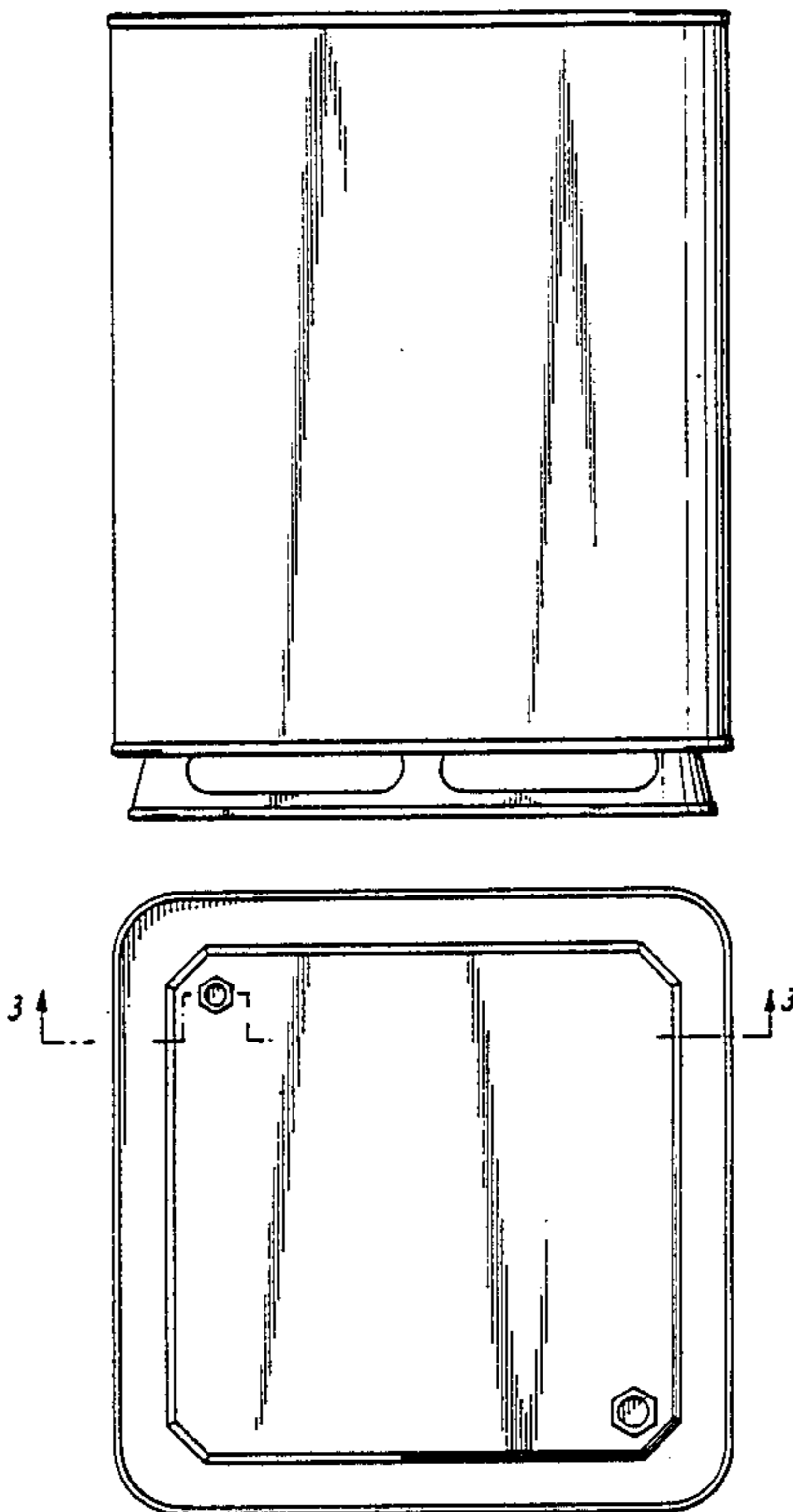
D. 210,693 4/1968 Coito D17/22

D. 267,014 11/1982 Migirian D17/22

FIG. 3 is a sectional view taken along line 3—3 of FIG. 2; and

2; and

FIG. 4 is a bottom plan view thereof.



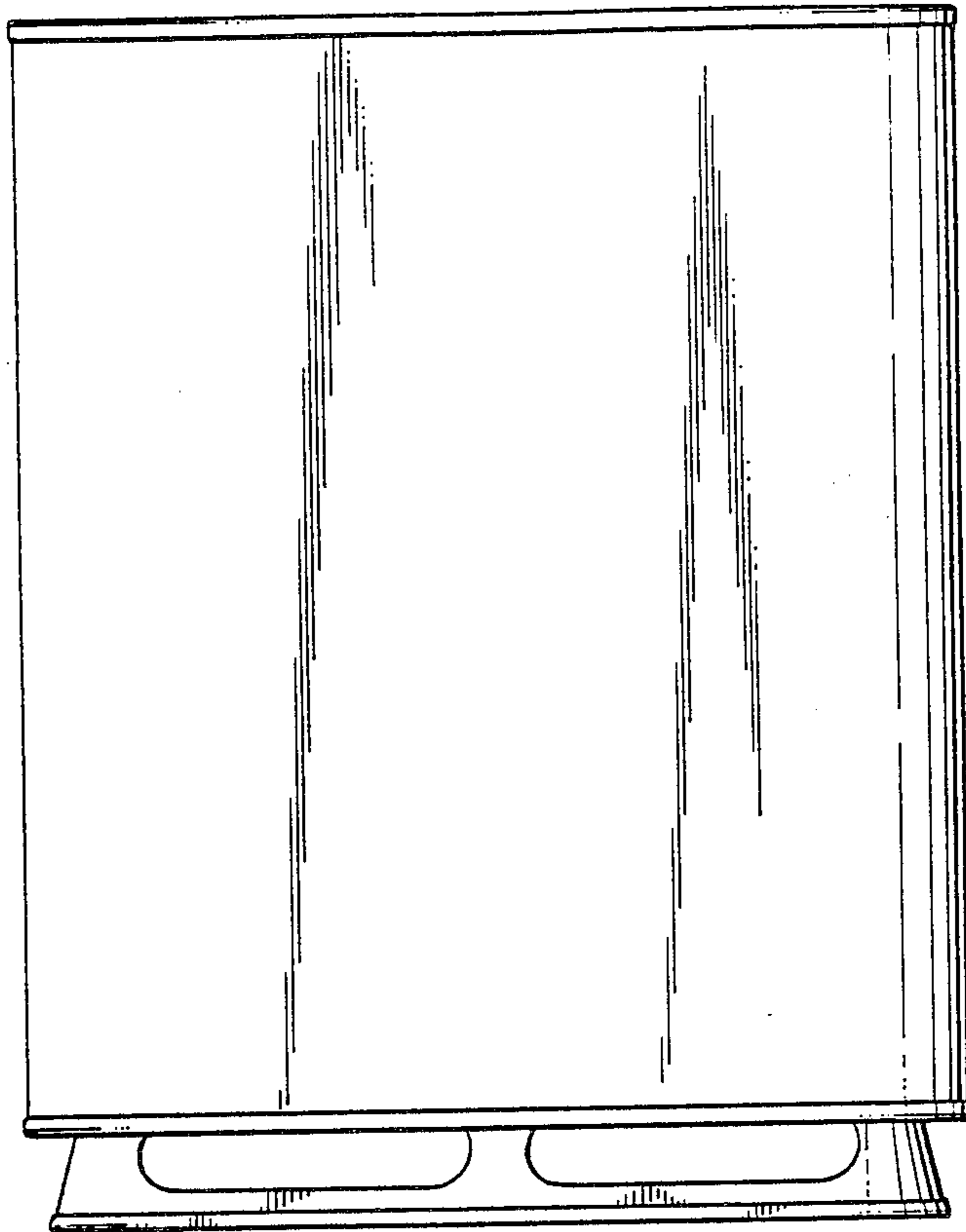


FIG. 1

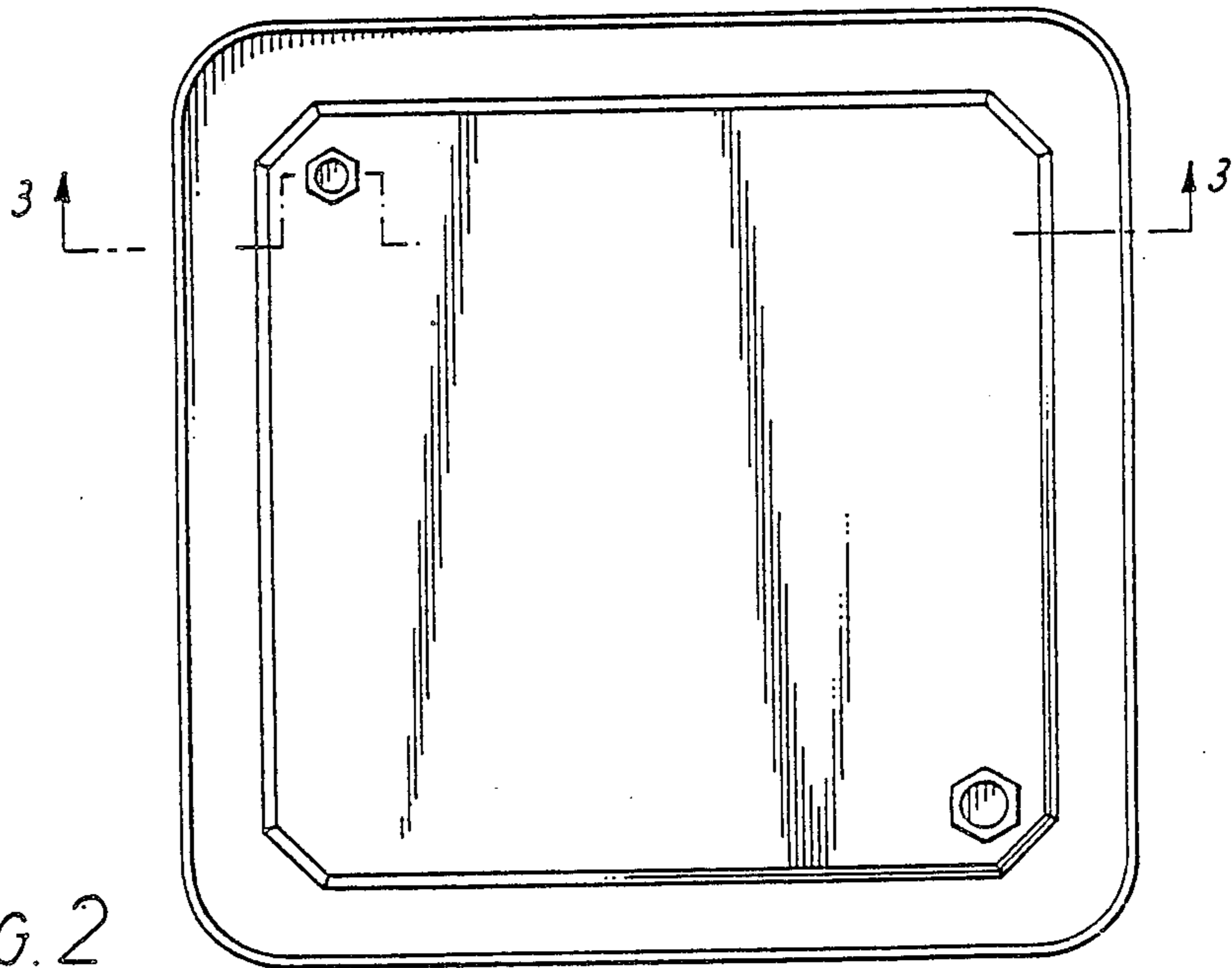


FIG. 2

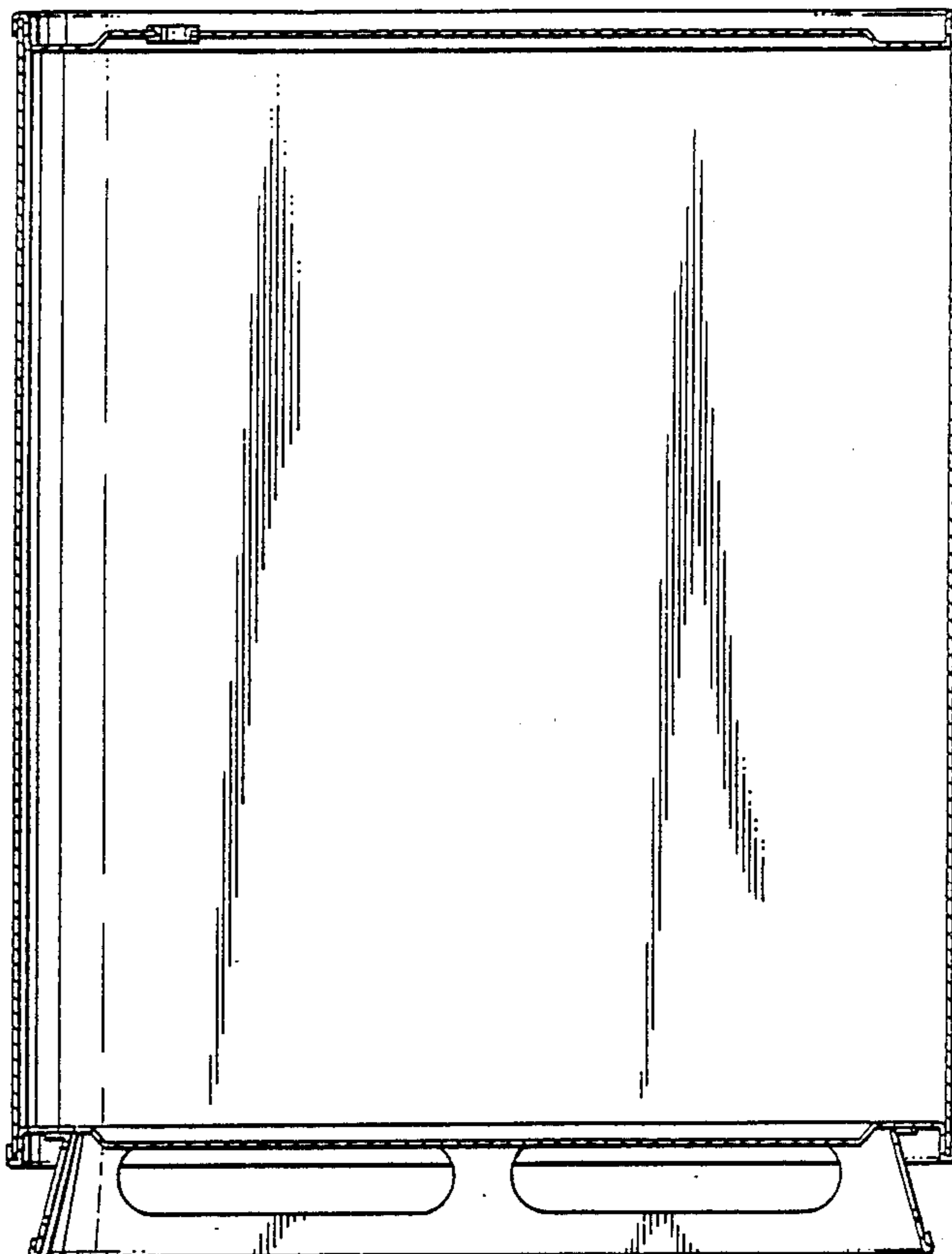


FIG. 3

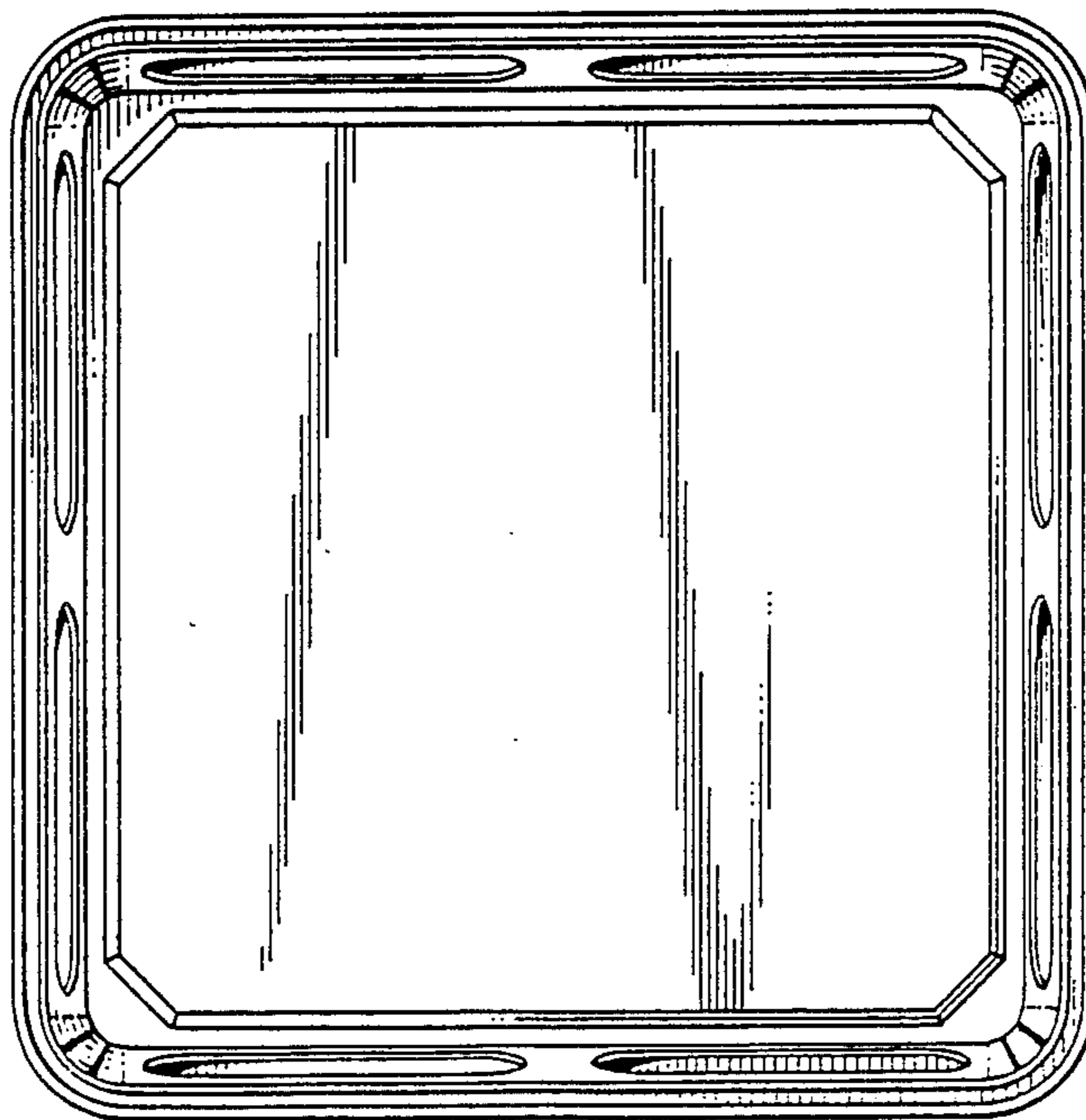


FIG. 4