

[54] **STAND RING FOR A SQUARE DRUM**

[75] **Inventor: Frederick W. Jowitt, Wantage, England**

[73] **Assignee: Metal Box P.L.C., Reading, England**

[**] **Term: 14 Years**

[21] **Appl. No.: 898,422**

[22] **Filed: Aug. 20, 1986**

[30] **Foreign Application Priority Data**

Mar. 4, 1986 [GB] United Kingdom 1032616

[52] **U.S. Cl. D17/22; D17/99; D14/38**

[58] **Field of Search D17/22, 99; 84/411, 84/411 A, 411 M, 411 P, 419, 420, 421; D14/38; D6/488, 449, 462**

[56] **References Cited**

U.S. PATENT DOCUMENTS

D. 210,693	4/1968	Coito	D17/22
D. 218,258	8/1970	Thompson	D17/22
D. 219,713	1/1971	Thompson	D17/22
D. 286,149	10/1986	Tucker	D14/38

Primary Examiner—Bernard Ansher
Assistant Examiner—Theodore M. Shooman
Attorney, Agent, or Firm—Burns, Doane Swecker & Mathis

[57] **CLAIM**

The ornamental design for a stand ring for a square drum, as shown.

DESCRIPTION

FIG. 1 is a top, front and side perspective view of a stand ring for a square drum showing my new design; FIG. 2 is a top plan view thereof; FIG. 3 is a bottom plan view thereof; and FIG. 4 is a sectional view taken along line 4—4 of FIG. 2.

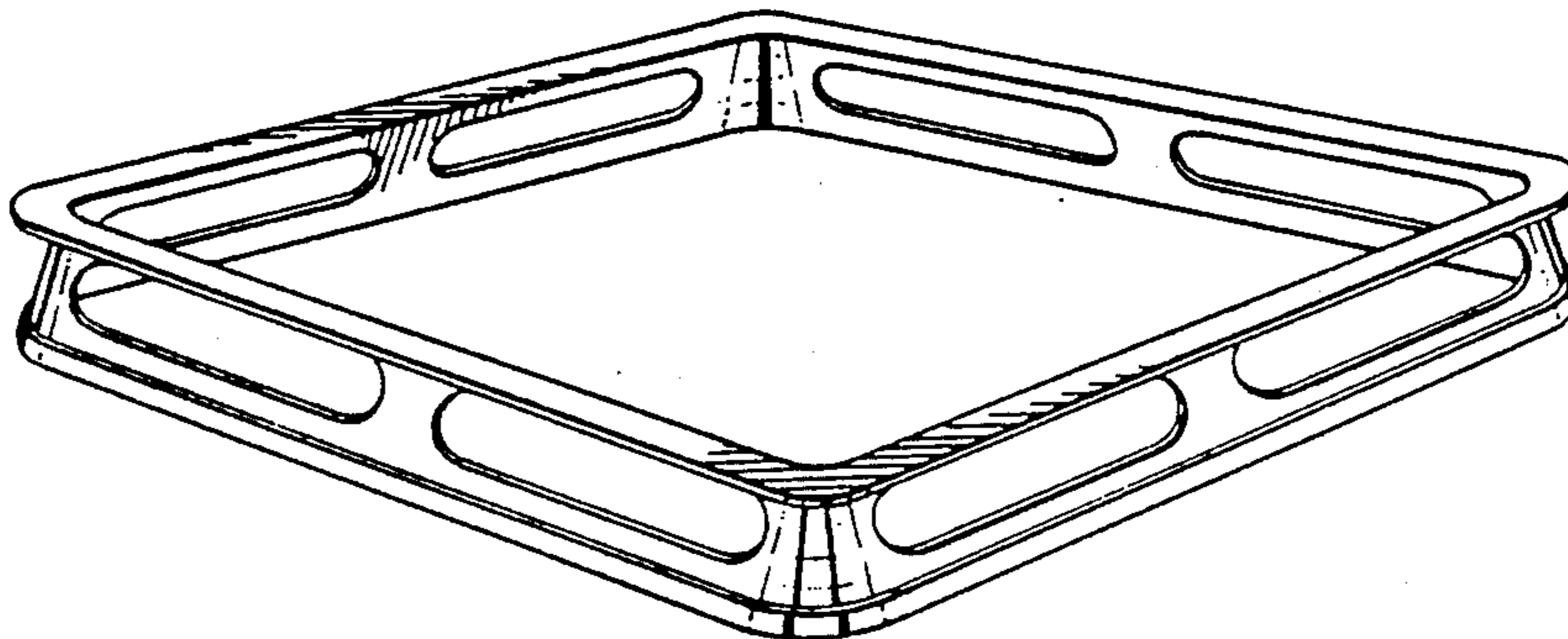


FIG. 1

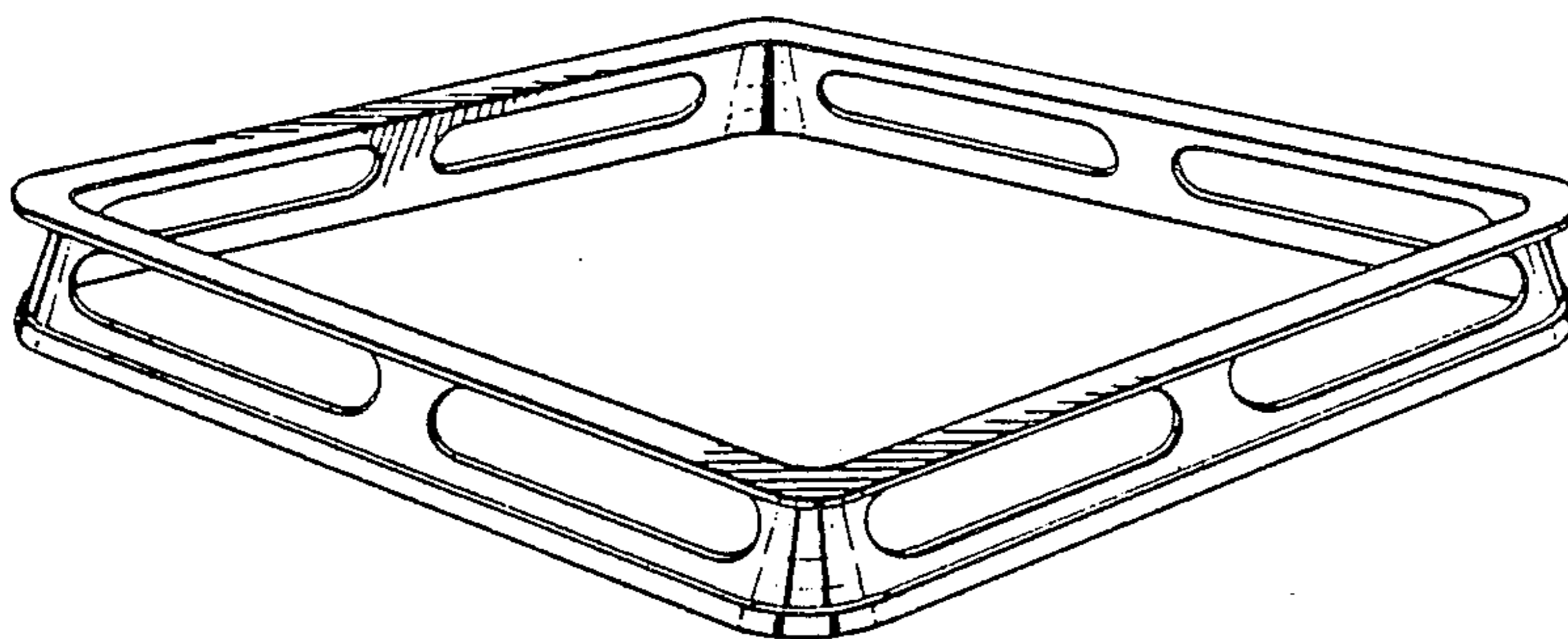


FIG. 2

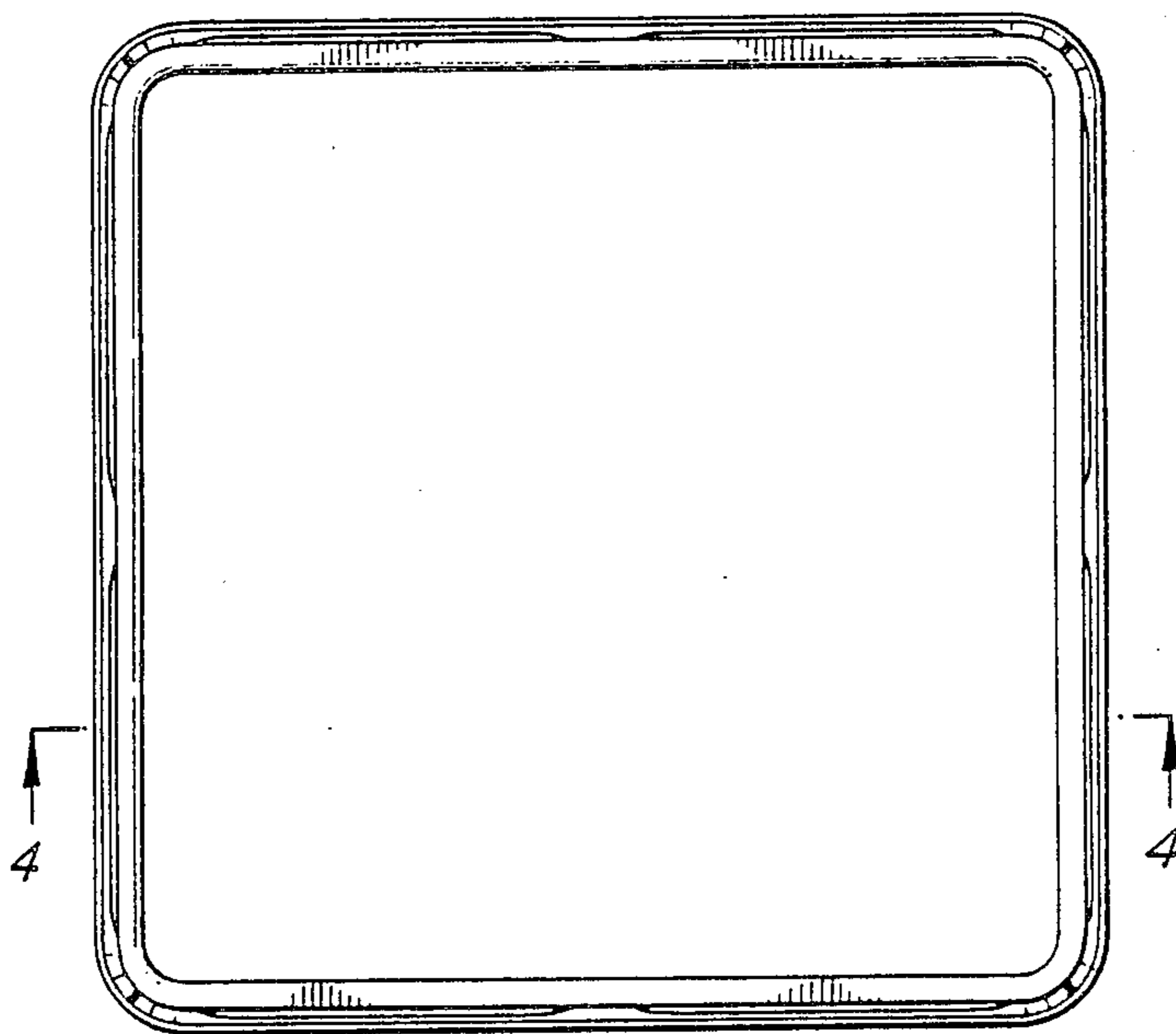


FIG. 3

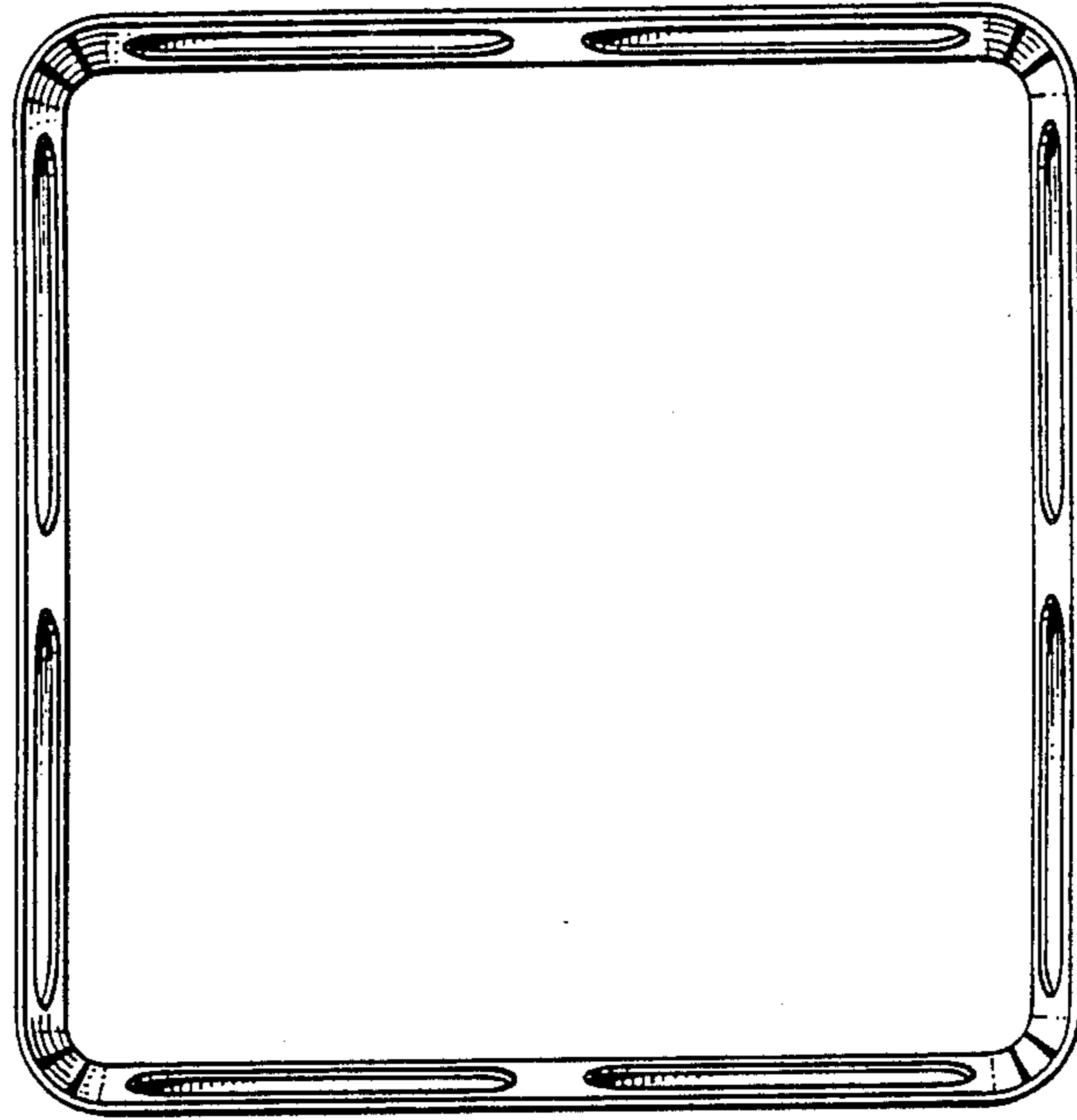


FIG. 4

