

[54] SLIDE FASTENER PRESSER FOOT

[76] Inventor: Bonnie L. Griffith, P.O. Box 178, Tamaroa, Ill. 62888

[**] Term: 14 Years

[21] Appl. No.: 692,518

[22] Filed: Jan. 18, 1985

[52] U.S. Cl. D15/72

[58] Field of Search D15/72-76; 112/235-240

[56] References Cited

U.S. PATENT DOCUMENTS

- D. 243,555 3/1977 Drew D15/72
- 3,858,539 1/1975 Van Amburg 112/240 X

- 4,136,626 1/1979 Kandou et al. 112/235
- 4,159,001 6/1979 Doori 112/235 X
- 4,202,285 5/1980 Kanzaka 112/235
- 4,363,280 12/1982 Lindquist 112/235 X

Primary Examiner—Melvin B. Feifer
Attorney, Agent, or Firm—Terry M. Gernstein

[57] CLAIM

The ornamental design for an slide fastener presser foot, as shown and described.

DESCRIPTION

FIG. 1 is a perspective view of a slide fastener presser foot showing my new design; FIG. 2 is a side view taken from the right of FIG. 1; FIG. 3 is an elevation of the side not shown in FIG. 1; FIG. 4 is a bottom view; and FIG. 5 is a top view.

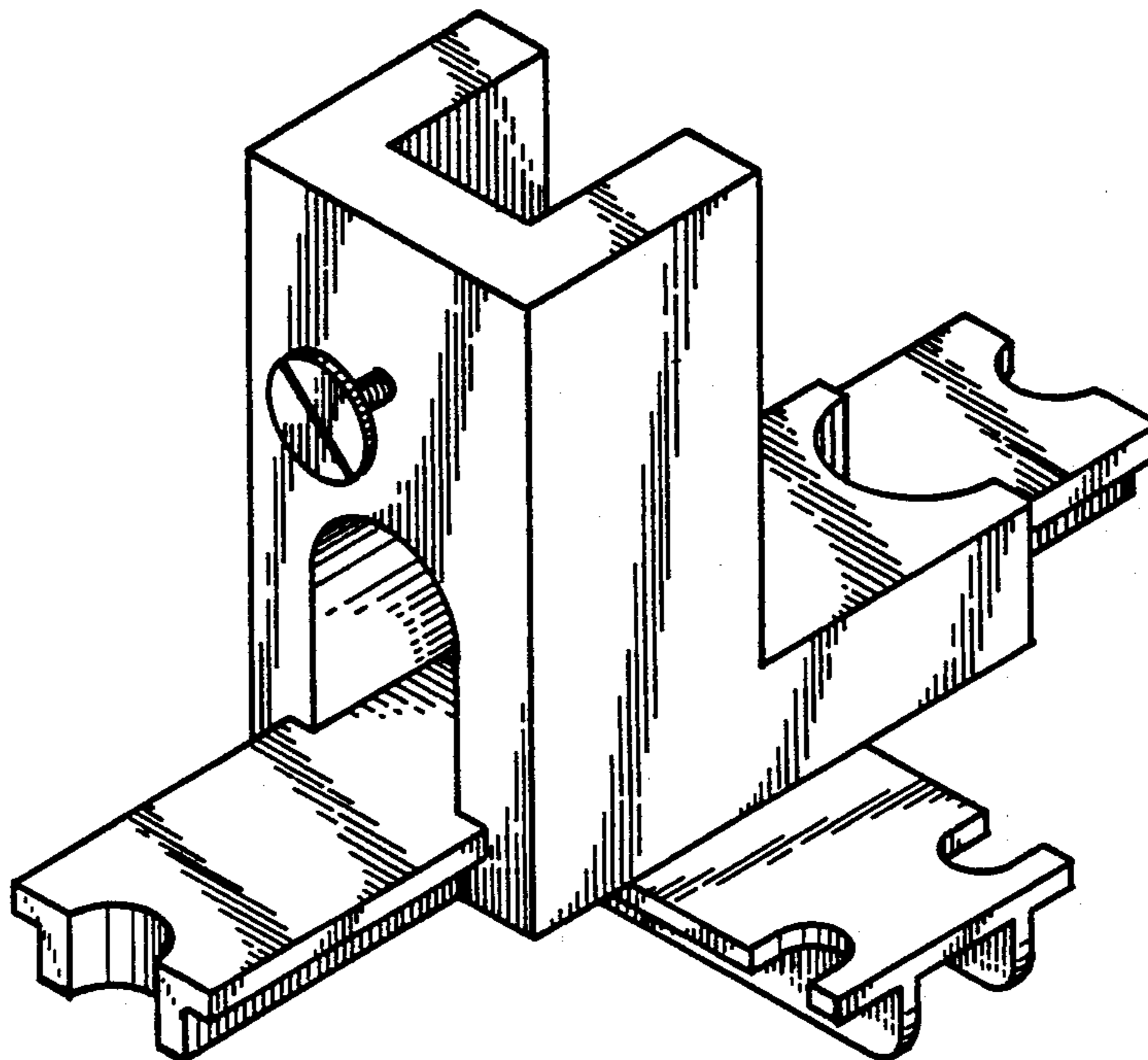


Fig. 1

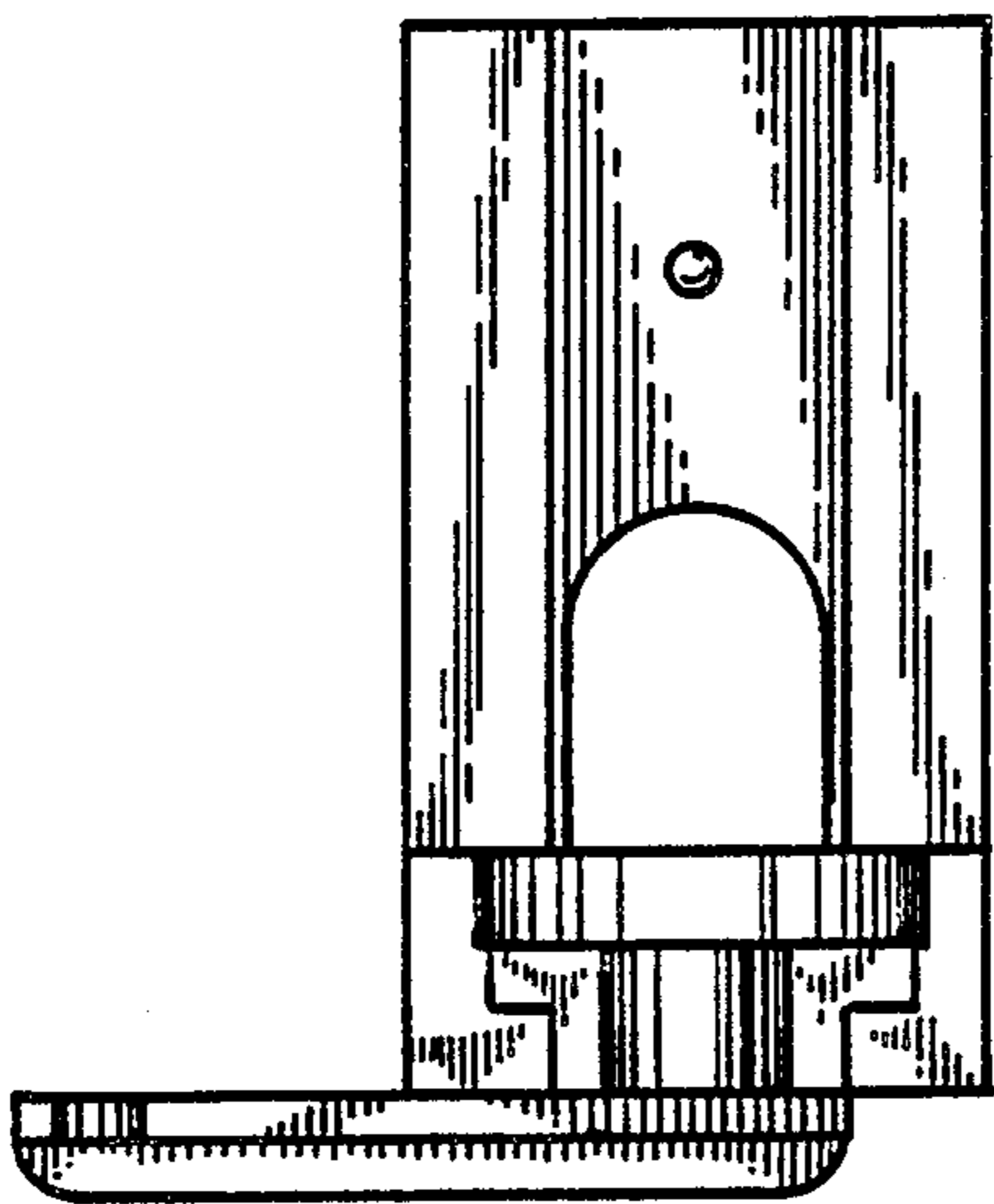
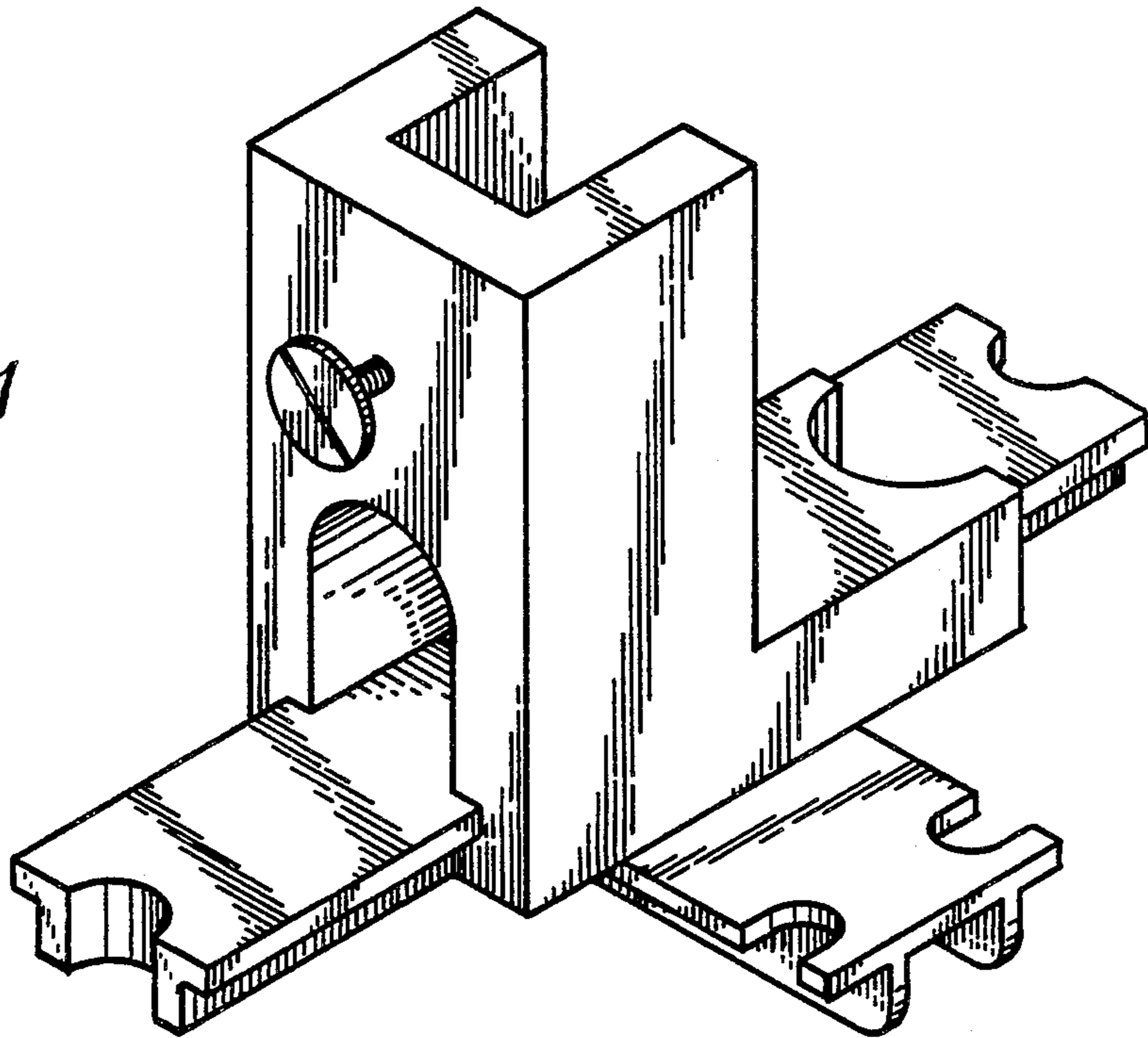


Fig. 2

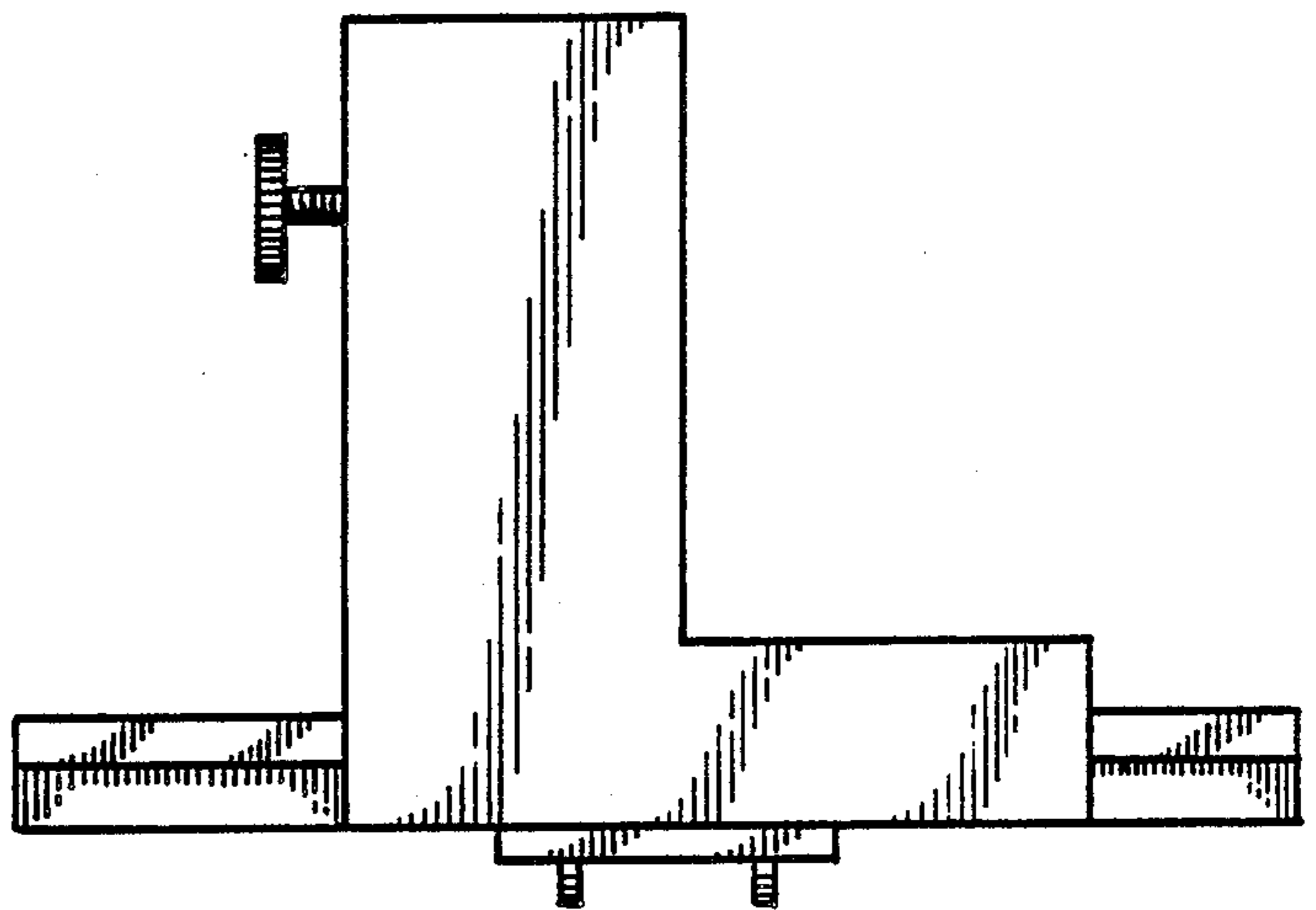


Fig. 3

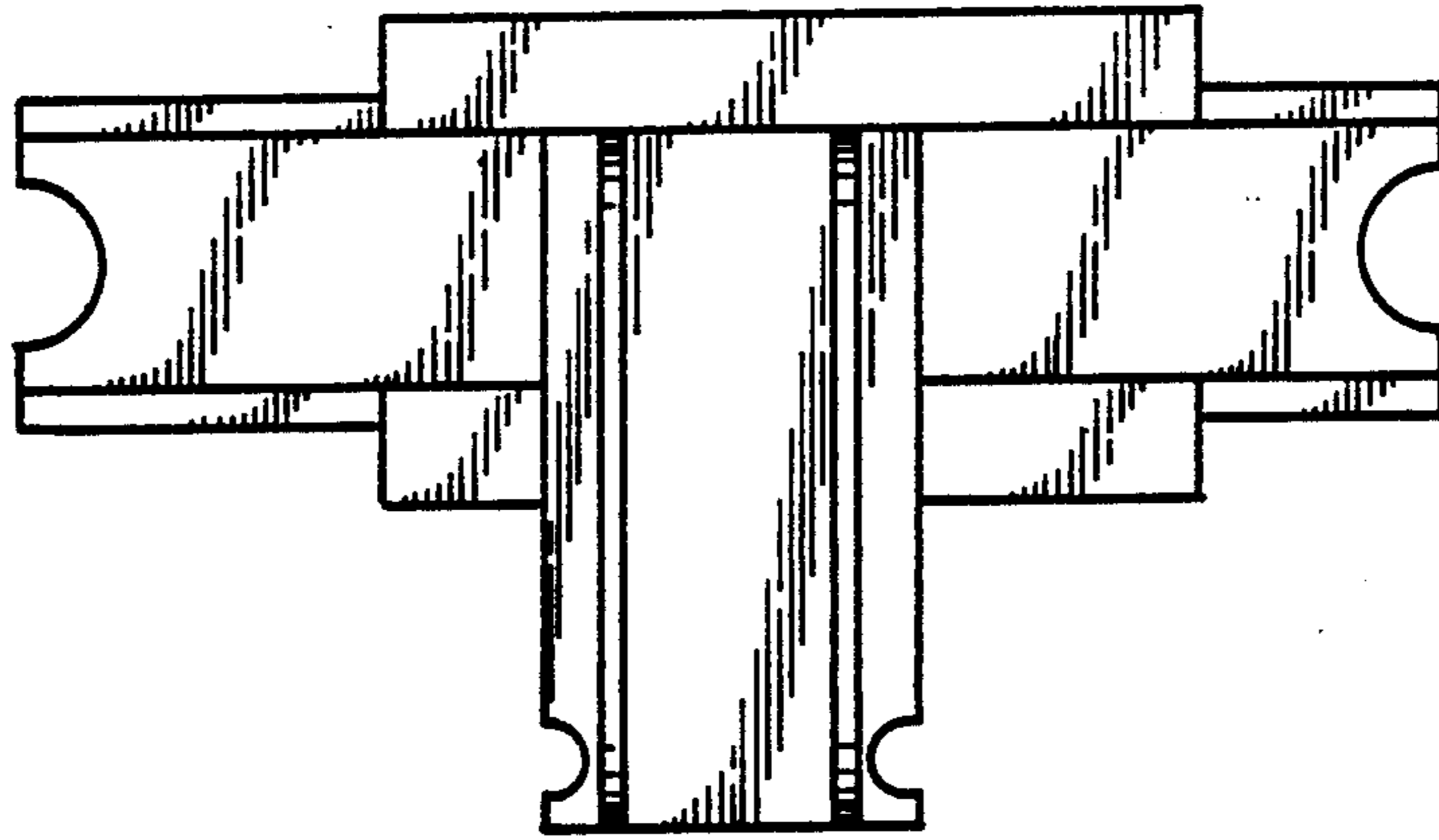


Fig. 4

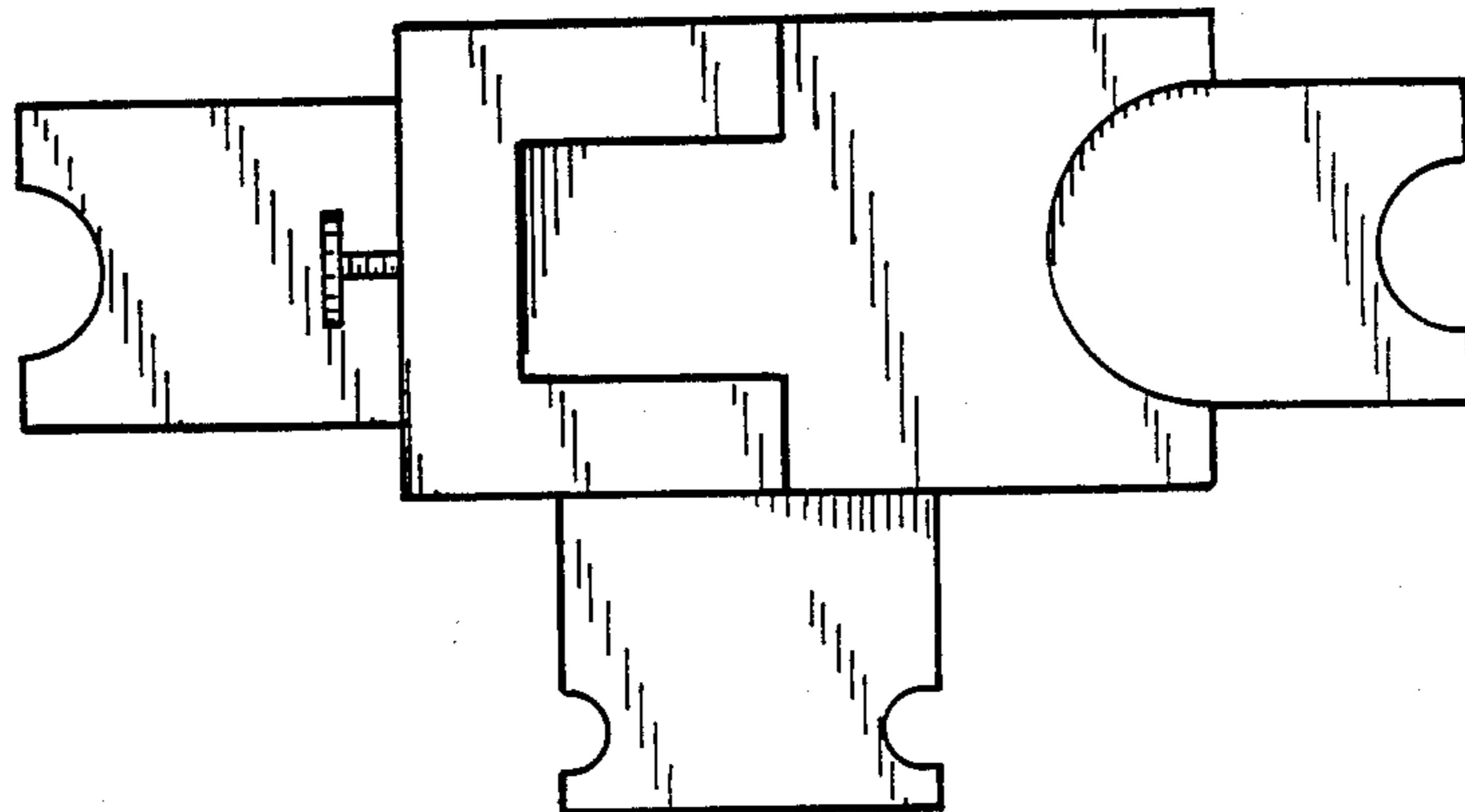


Fig. 5