

[54] POINT FOR A CULTIVATING TOOL
[75] Inventor: Keith Broomhall, Harleston, England
[73] Assignee: Howard Machinery Public Limited, Norfolk, England

[**] Term: 14 Years

[21] Appl. No.: 715,963

[22] Filed: Mar. 25, 1985

[30] Foreign Application Priority Data

Oct. 17, 1984 [GB] United Kingdom 1022731
[52] U.S. Cl. D15/29
[58] Field of Search D15/11, 25, 28-29, D15/32; 37/141 R, 141 T, 142 R, 142 A; 172/713, 681, 772.5; 171/107

[56] References Cited

U.S. PATENT DOCUMENTS

D. 200,721 3/1965 Wilson D15/29
3,387,668 6/1968 Mathers 172/700

3,623,247 11/1971 Stepe 172/713
4,027,409 6/1977 Stepe 172/713
4,414,764 11/1983 Johansson et al. 37/141 T
4,475,602 10/1984 Gerstner 172/713

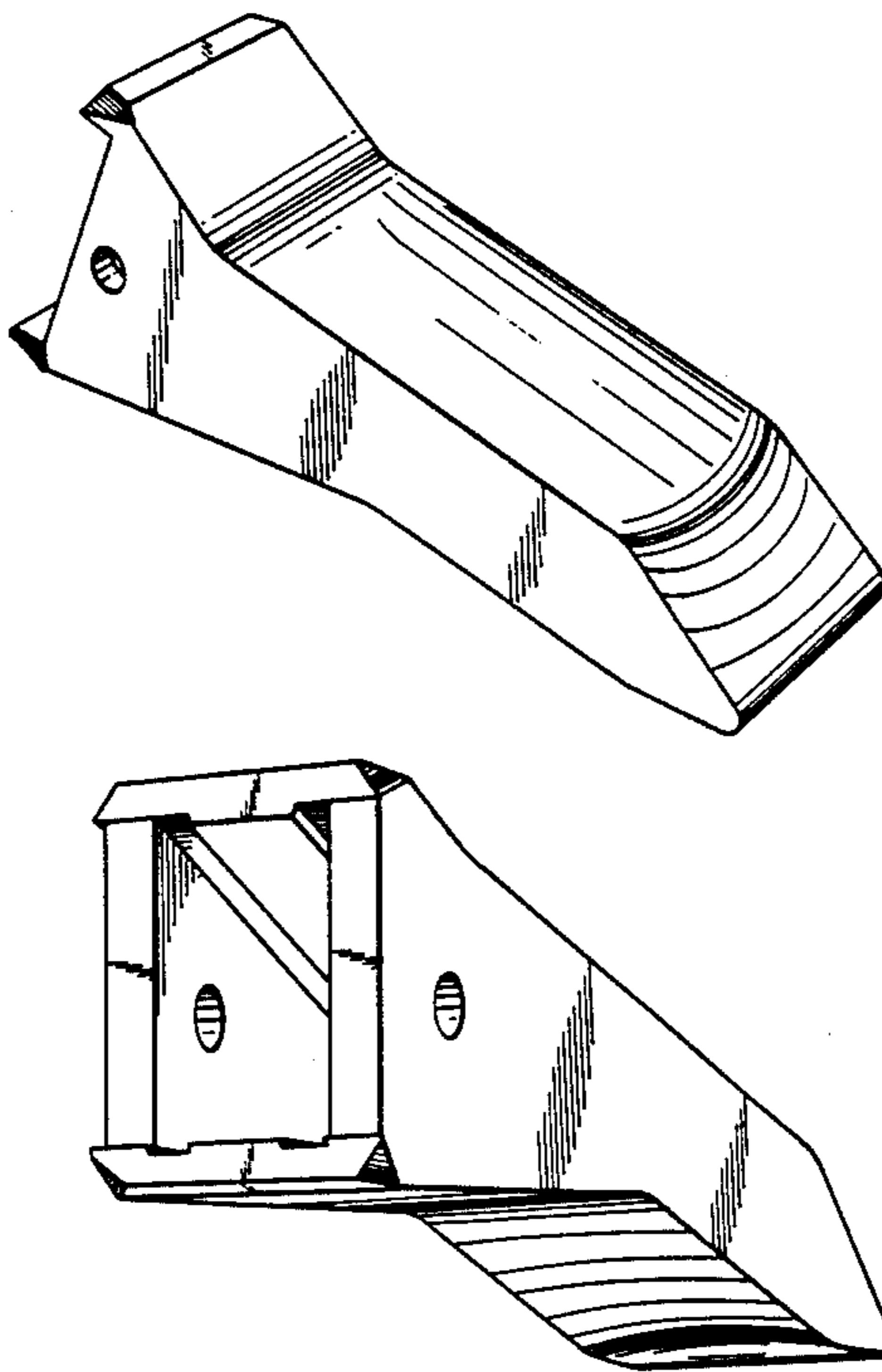
Primary Examiner—Wallace R. Burke
Assistant Examiner—Ruth Takemoto
Attorney, Agent, or Firm—Wood, Dalton, Phillips, Mason & Rowe

[57] CLAIM

The ornamental design for a point for a cultivating tool.

DESCRIPTION

FIG. 1 is a side elevational view of a point for cultivating tool or the like showing my new design;
FIG. 2 is a top plan view thereof;
FIG. 3 is a bottom plan view thereof;
FIG. 4 is a front elevational view thereof;
FIG. 5 is a rear elevational view thereof;
FIG. 6 is a top, front and side perspective view thereof; and
FIG. 7 is a bottom, rear and side perspective view thereof.



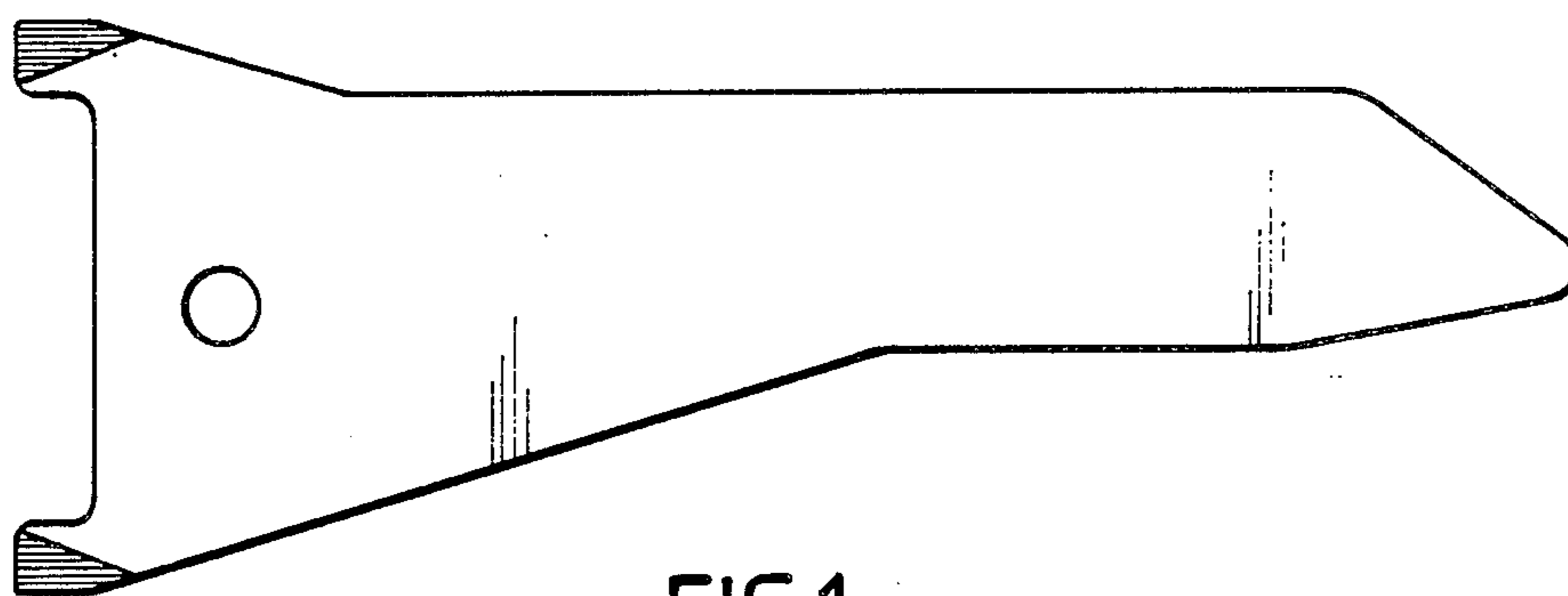


FIG. 1.

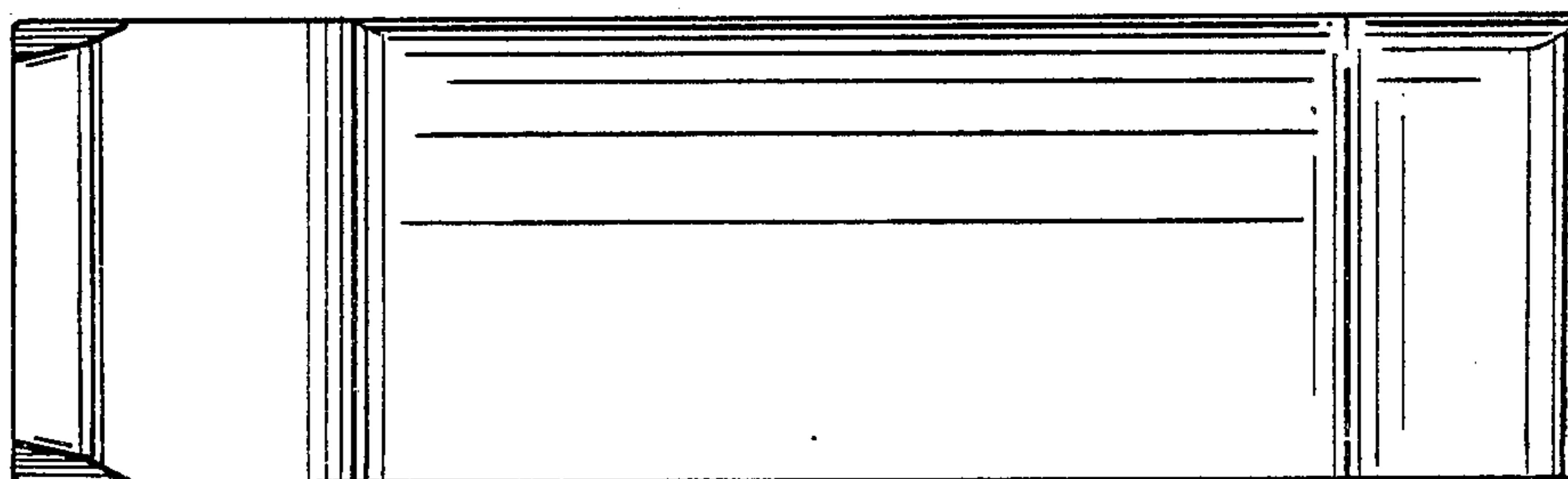


FIG. 2.

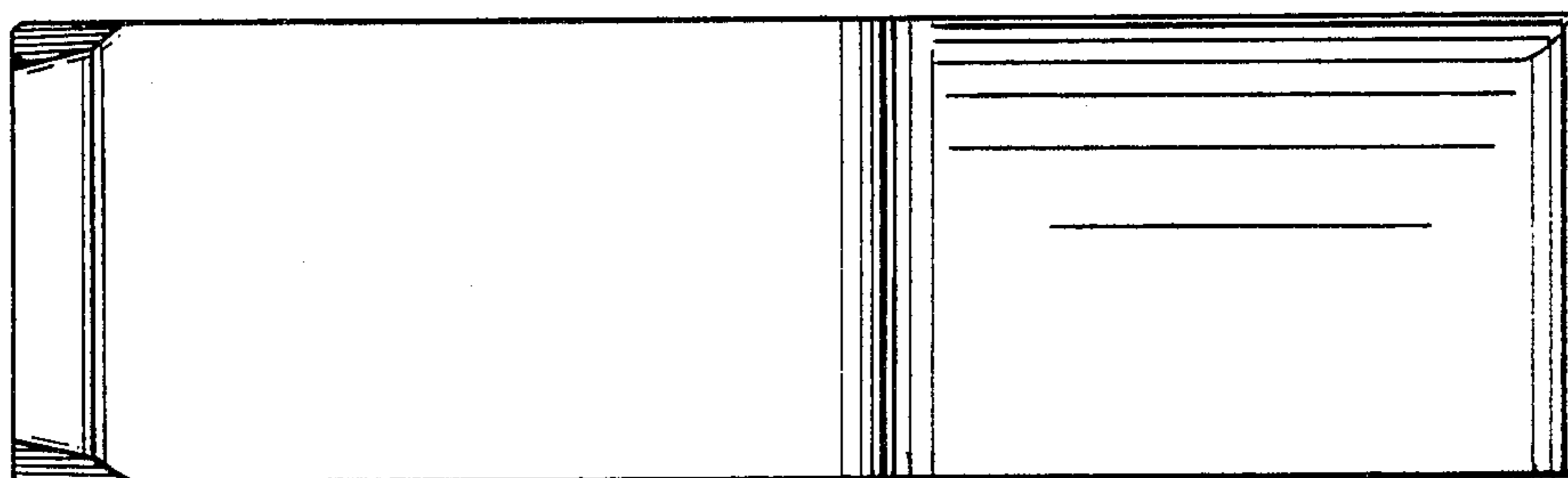


FIG. 3.

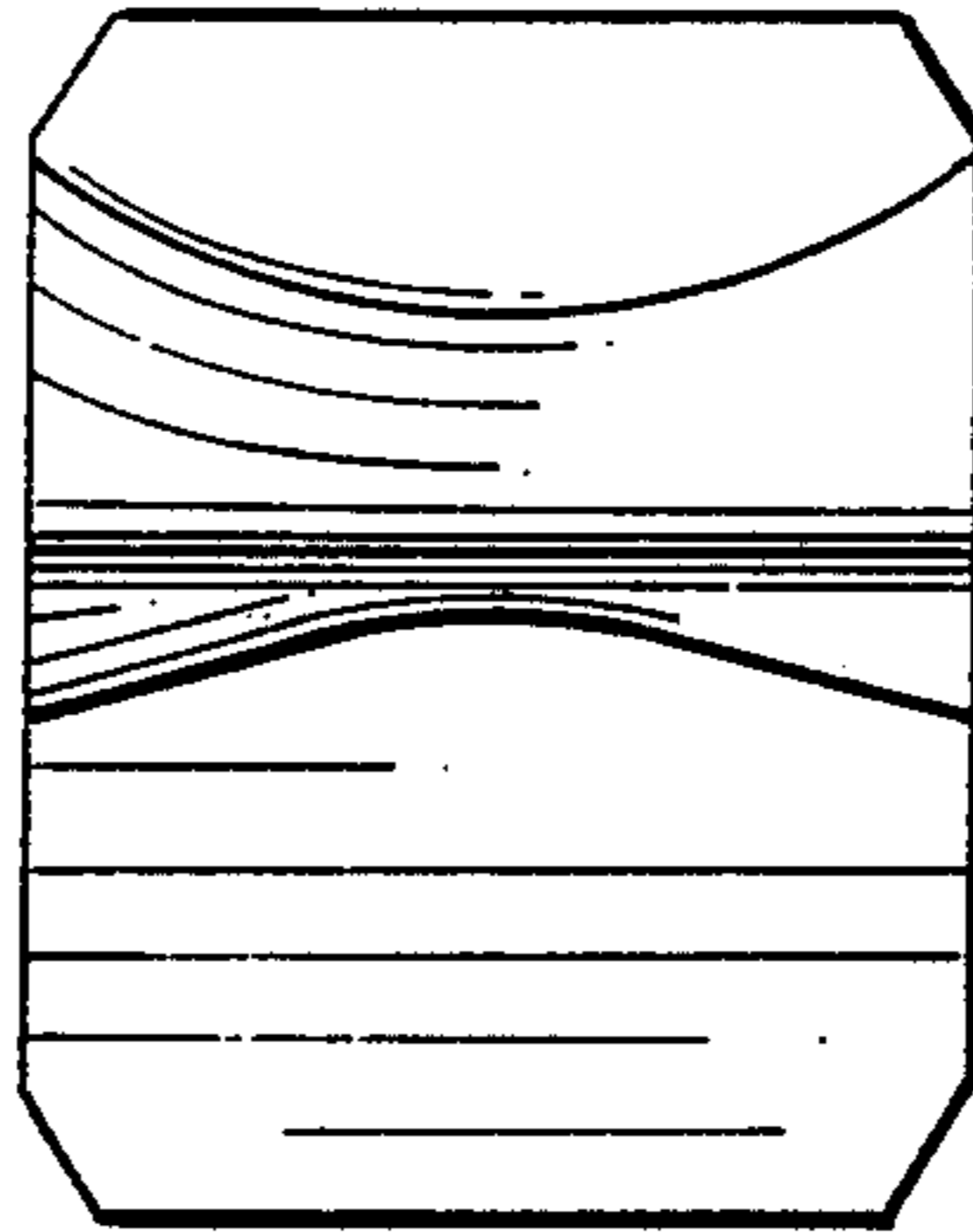


FIG.4.

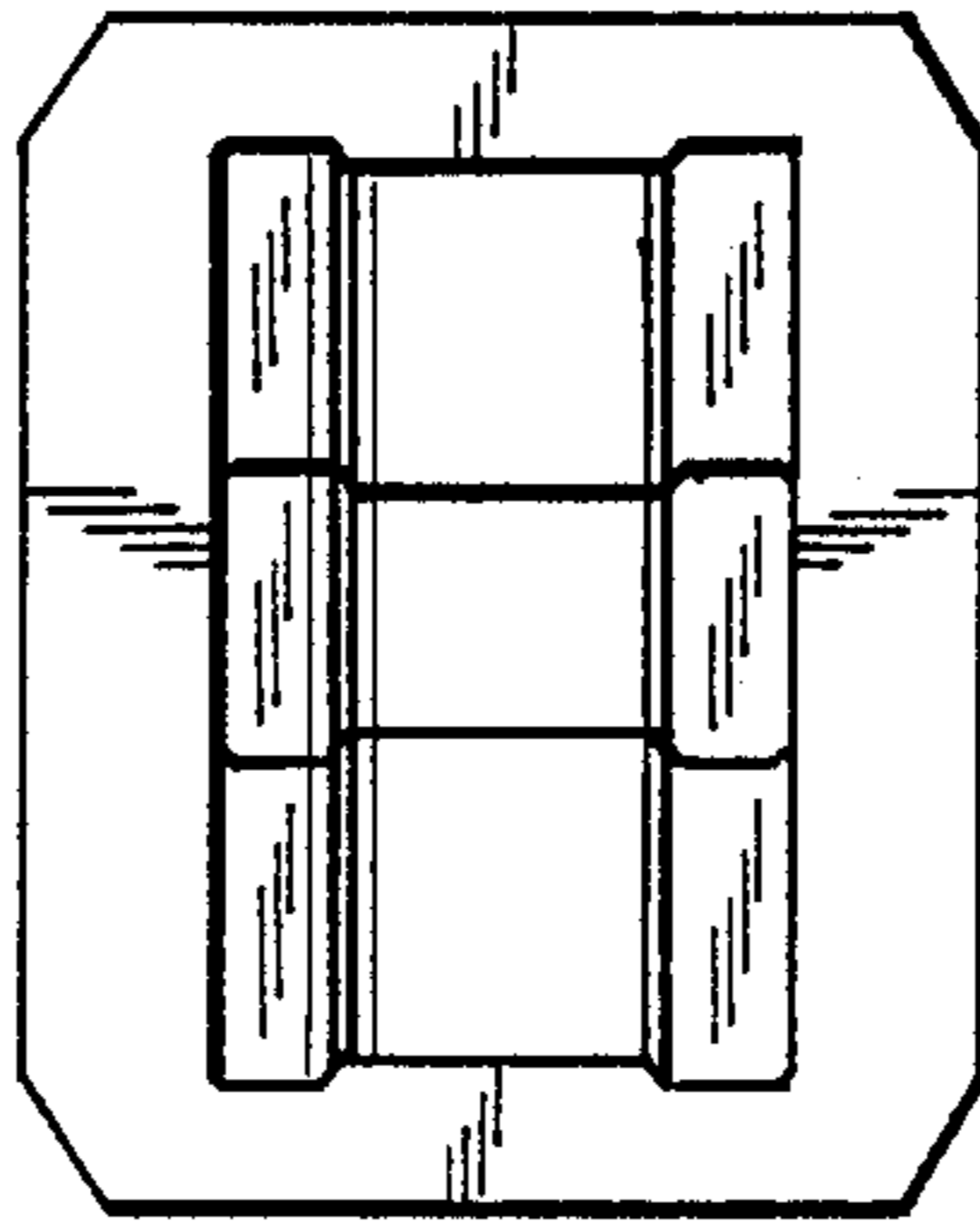


FIG.5.

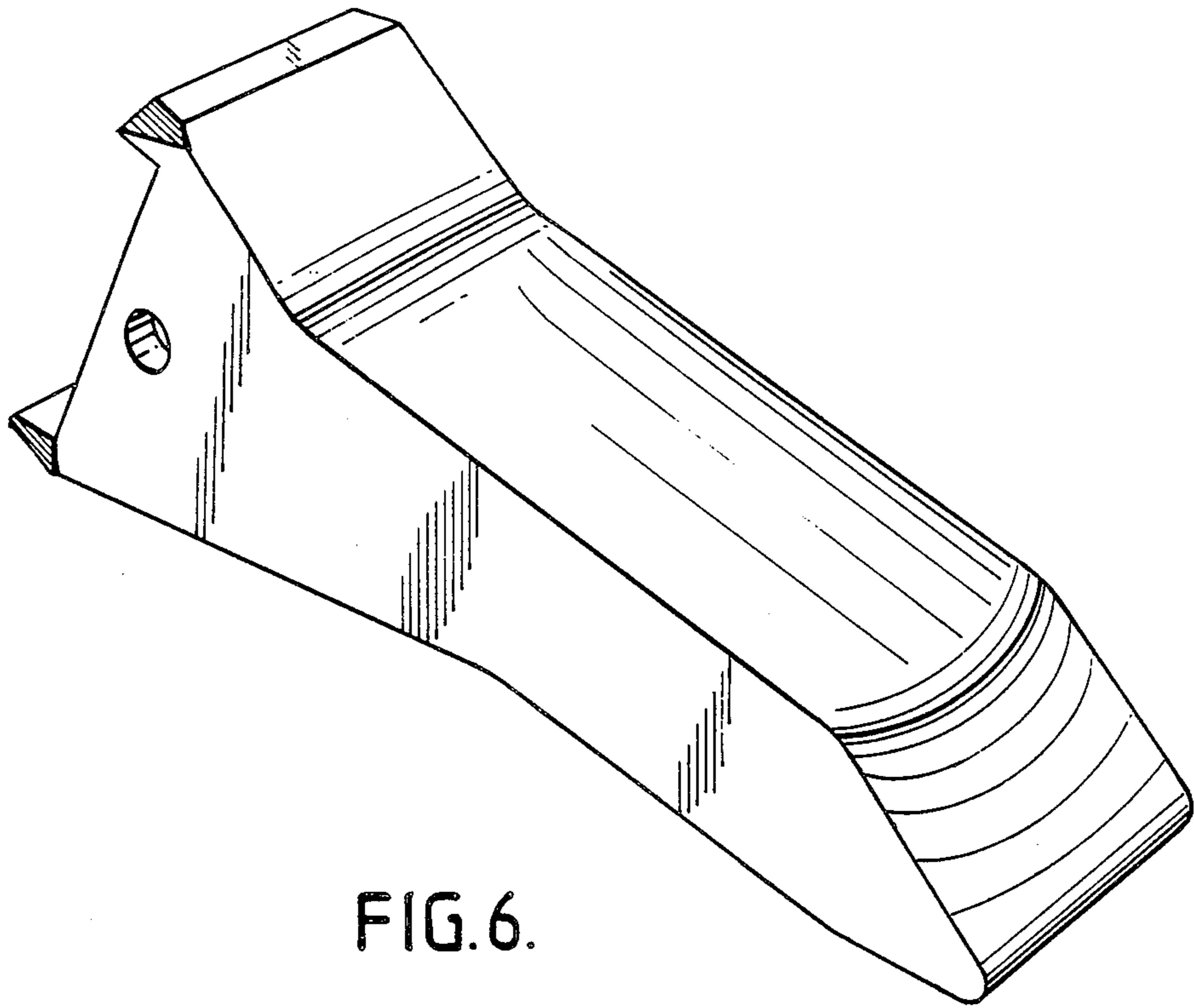


FIG. 6.

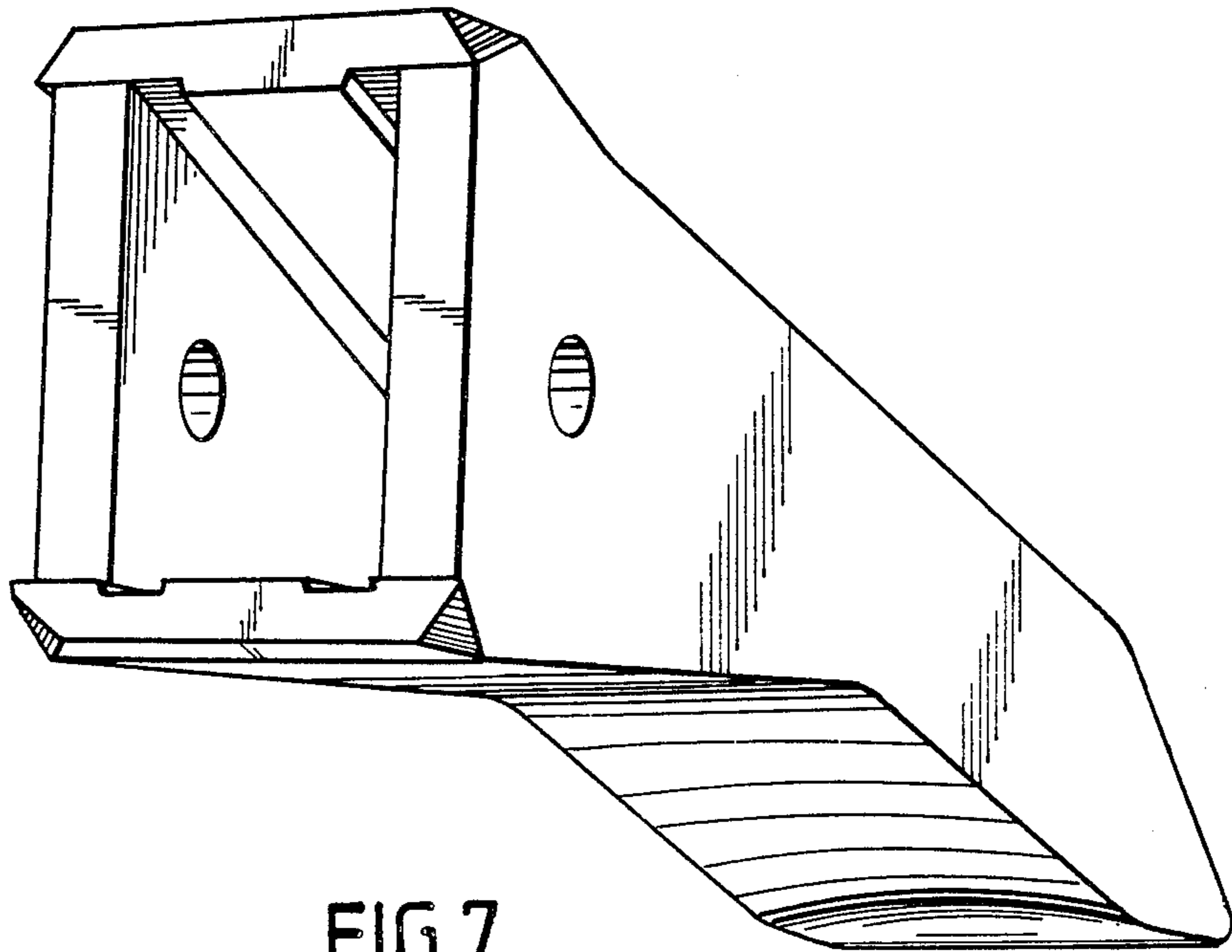


FIG. 7.