

[54] COMPRESSOR

[75] Inventor: James F. Mariol, Cincinnati, Ohio

[73] Assignee: The Scott & Fetzer Company, Westlake, Ohio

[**] Term: 14 Years

[21] Appl. No.: 857,465

[22] Filed: Apr. 25, 1986

[52] U.S. Cl. D15/9

[58] Field of Search D15/7, 9; 417/229, 234, 417/321, 410-421, 572; 230/434

[56] References Cited

U.S. PATENT DOCUMENTS

D. 179,746	2/1957	Sudmeier	D15/9
D. 264,086	4/1982	Pareja	D15/7
D. 281,691	12/1985	Vitaloni	D15/9
3,045,898	1/1957	Hilfing et al. .	

OTHER PUBLICATIONS

Graingers Catalogue No. 338, Spring 1974, p. 348-Two-Stage 4 Cylinder 7½ hp. Compressor Pump.

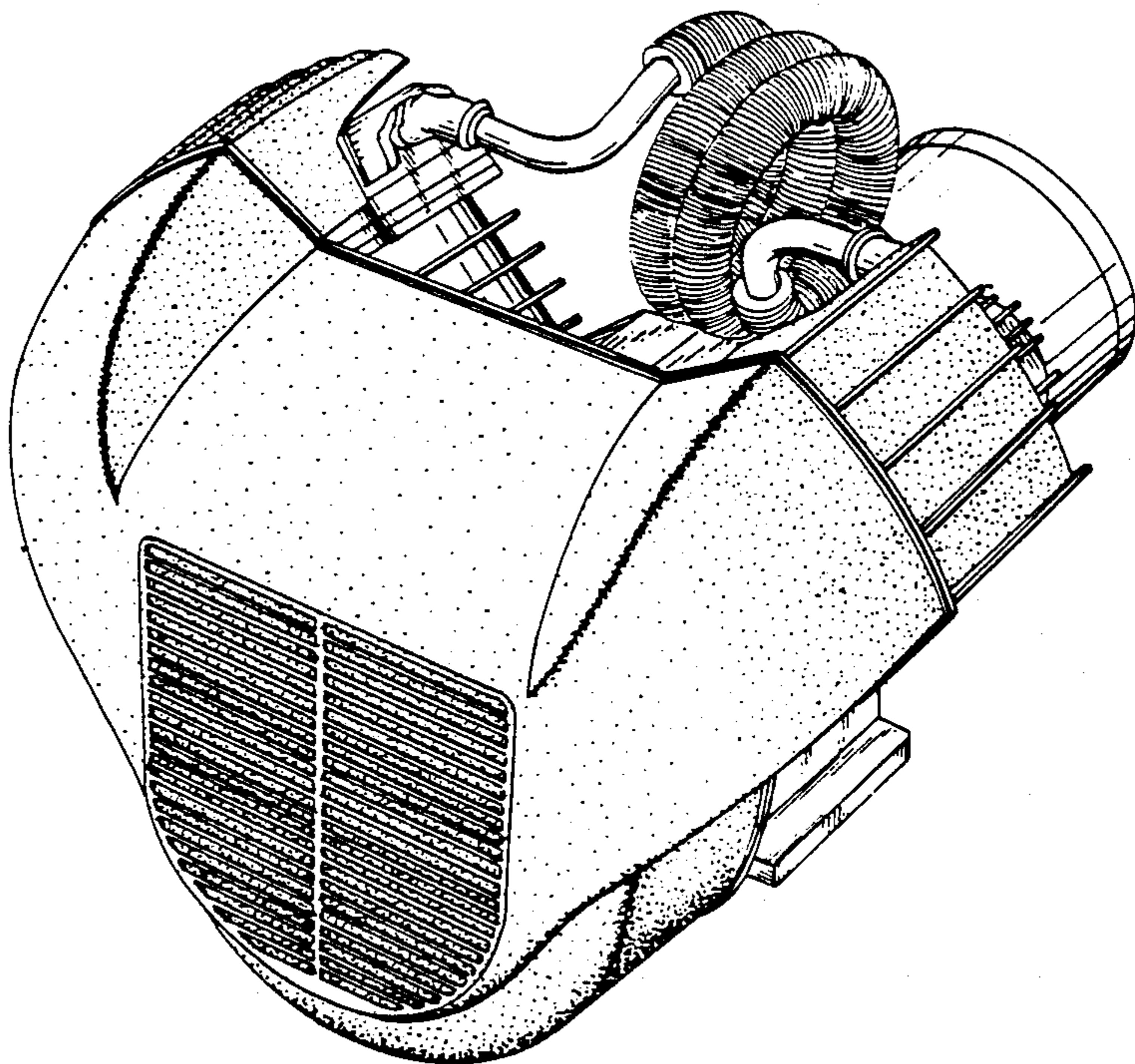
Primary Examiner—Wallace R. Burke
Assistant Examiner—Brian N. Vinson
Attorney, Agent, or Firm—Wood, Herron & Evans

[57] CLAIM

The ornamental design for a compressor, as shown.

DESCRIPTION

FIG. 1 is a front elevational view of a compressor showing my new design;
FIG. 2 is a rear elevational view thereof;
FIG. 3 is an end elevational view thereof;
FIG. 4 is a top plan view thereof;
FIG. 5 is an opposite end elevational view thereof;
FIG. 6 is a bottom plan view thereof; and
FIG. 7 is a top perspective view thereof.



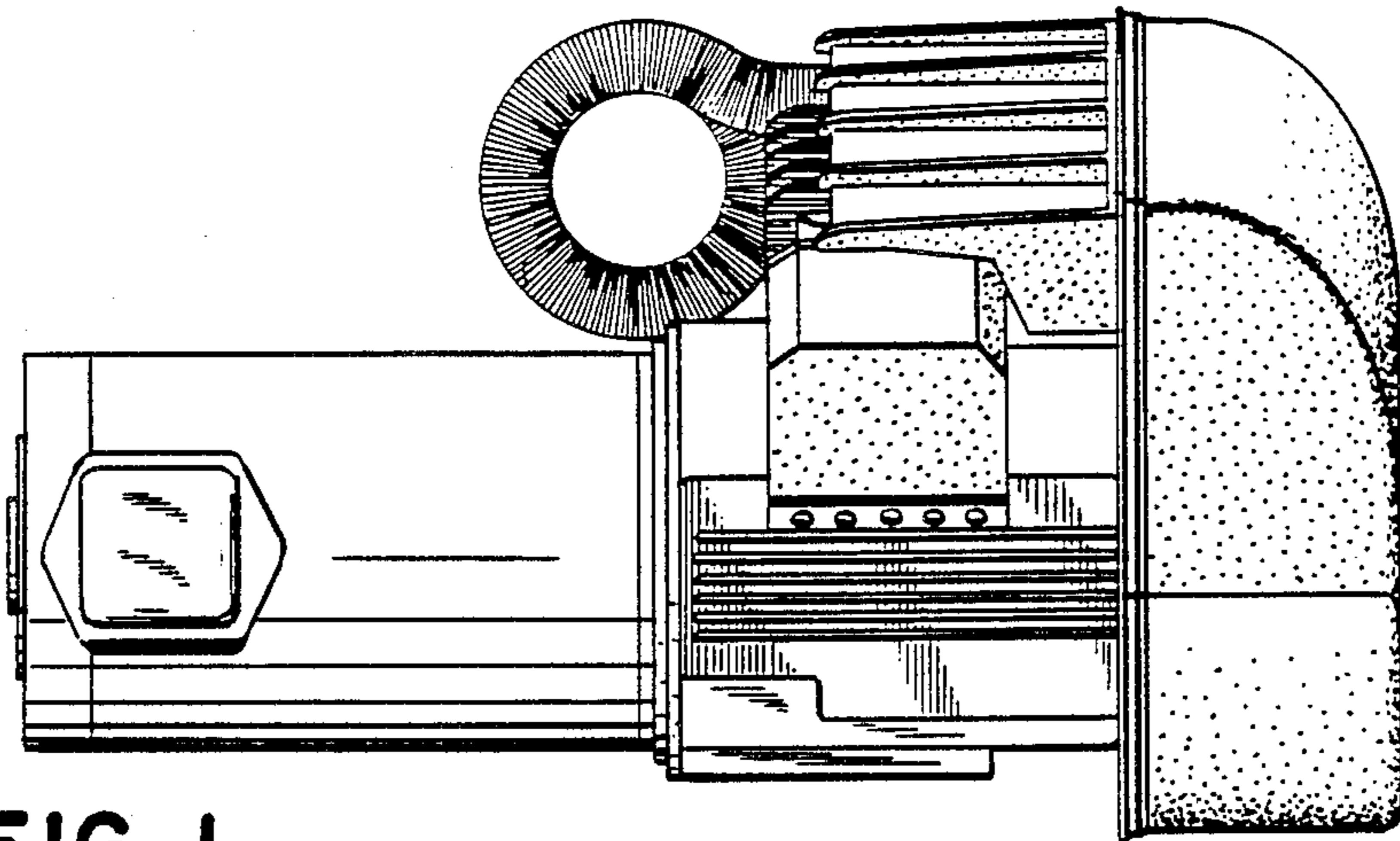


FIG. 1

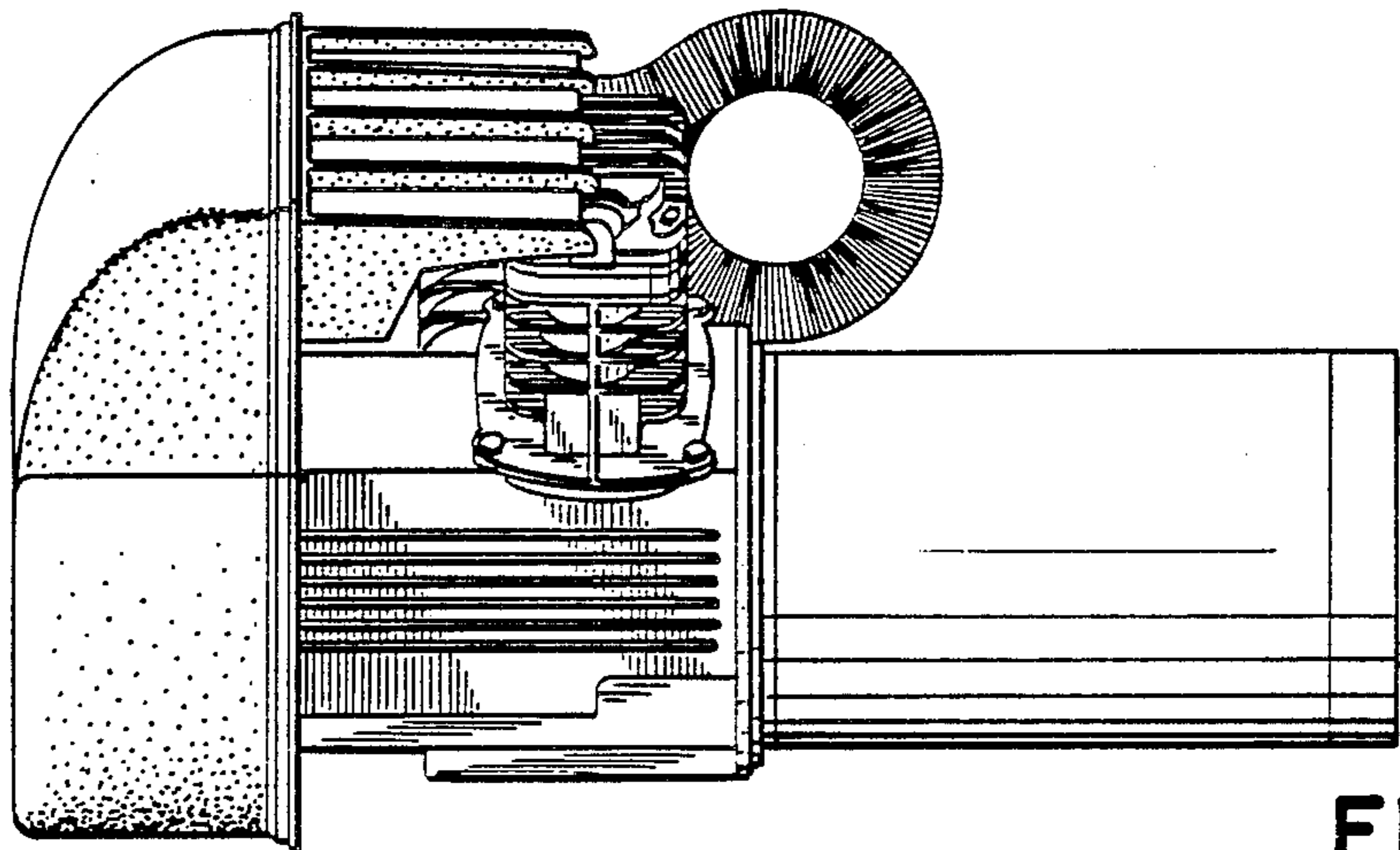


FIG. 2

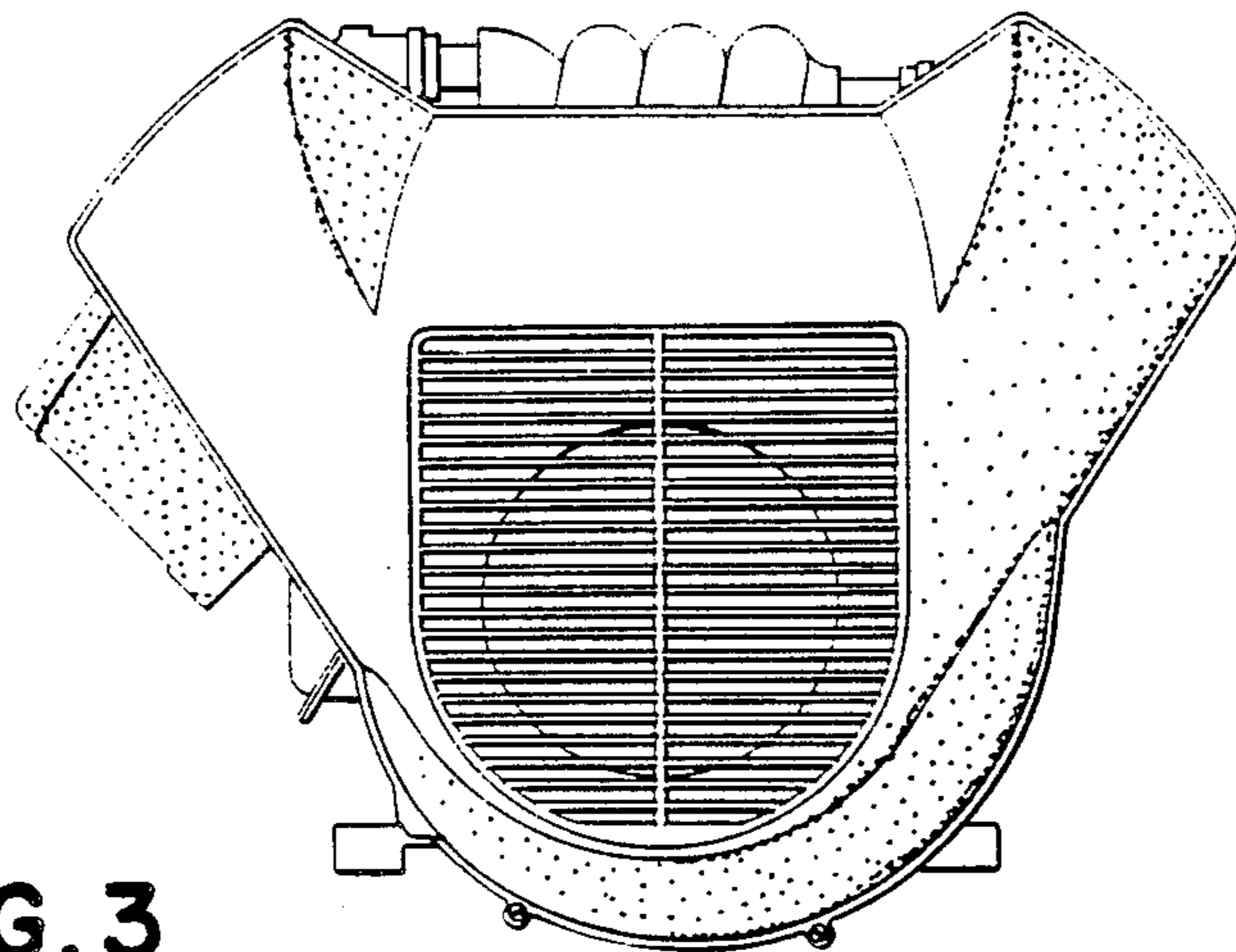


FIG. 3

FIG. 4

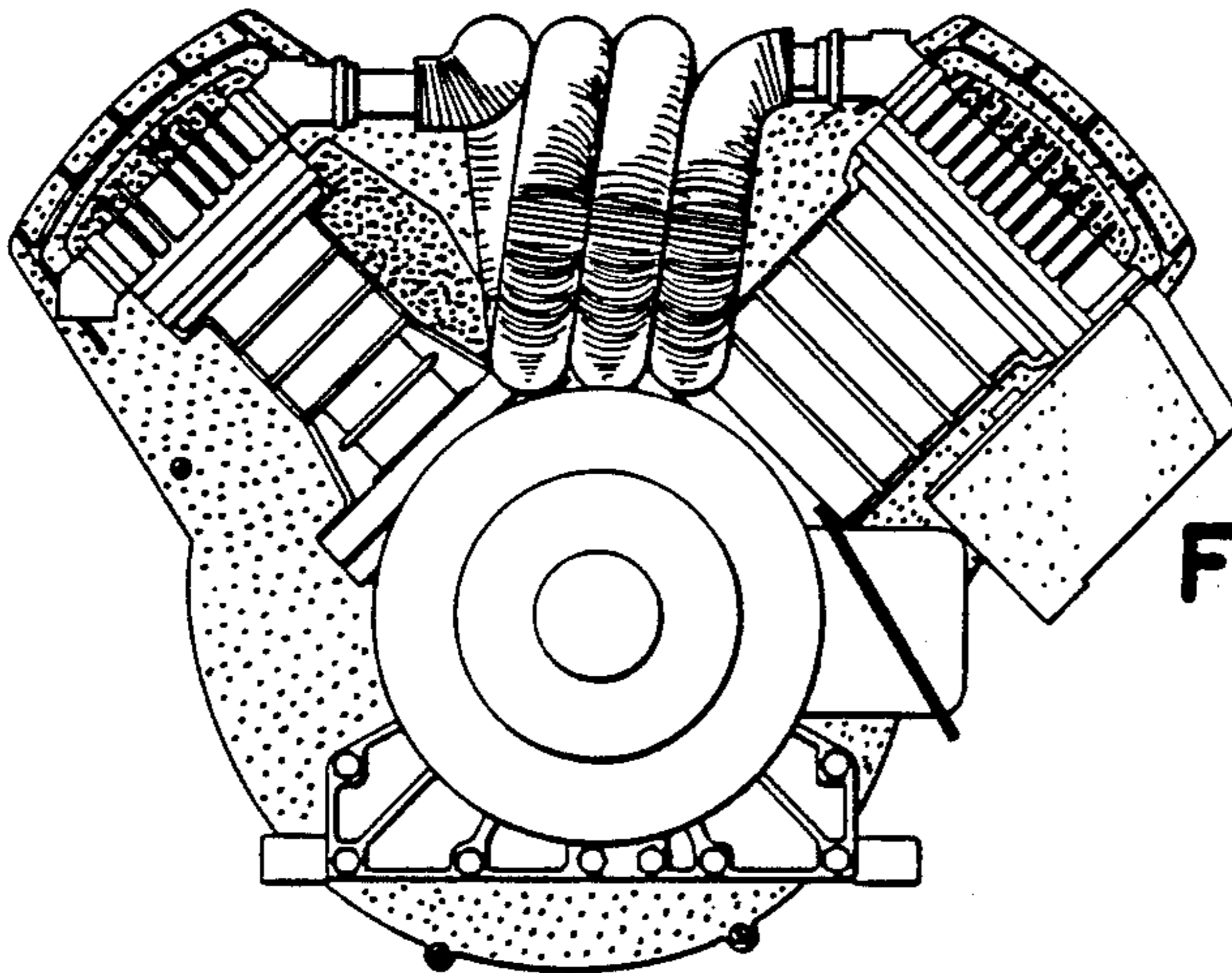
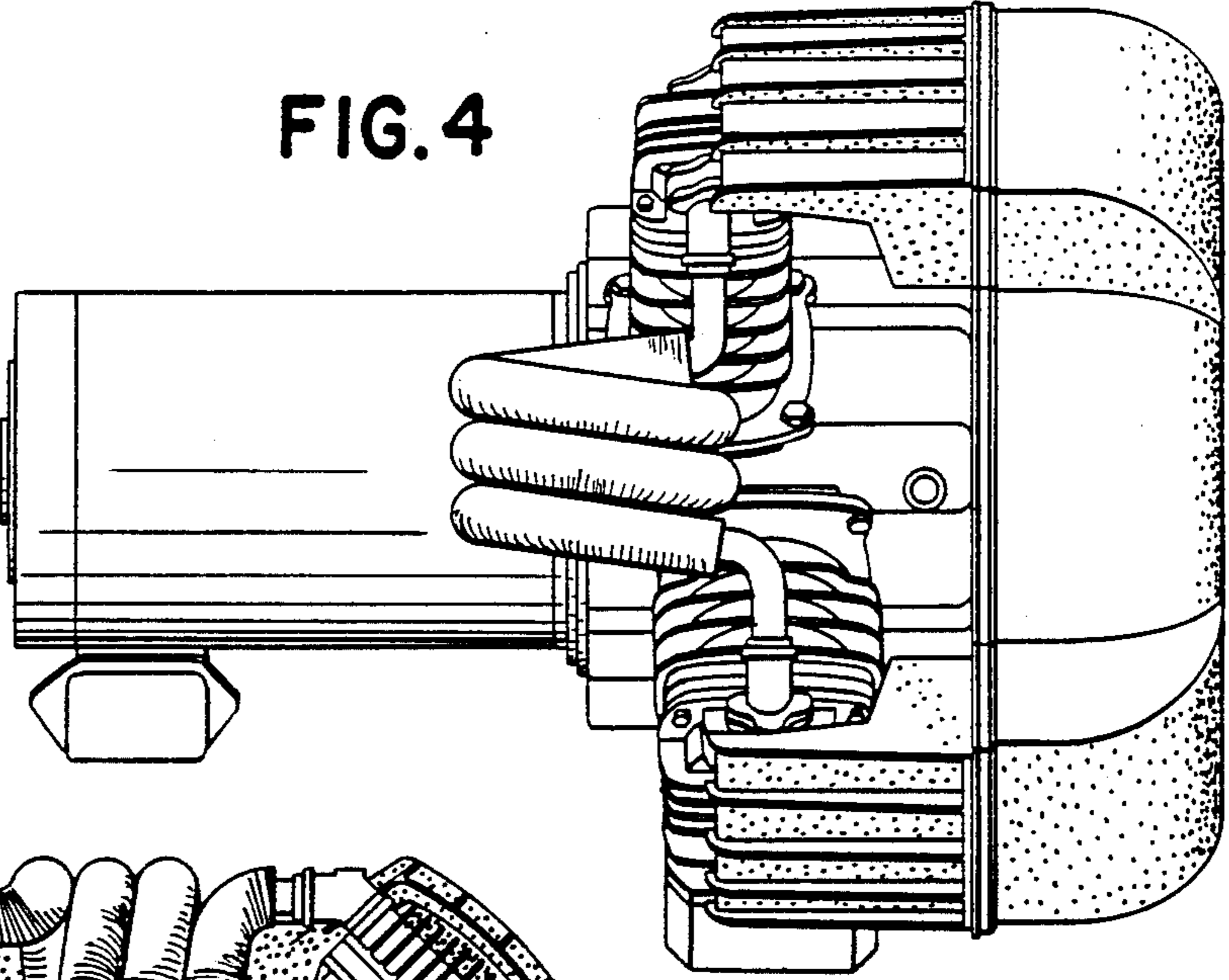
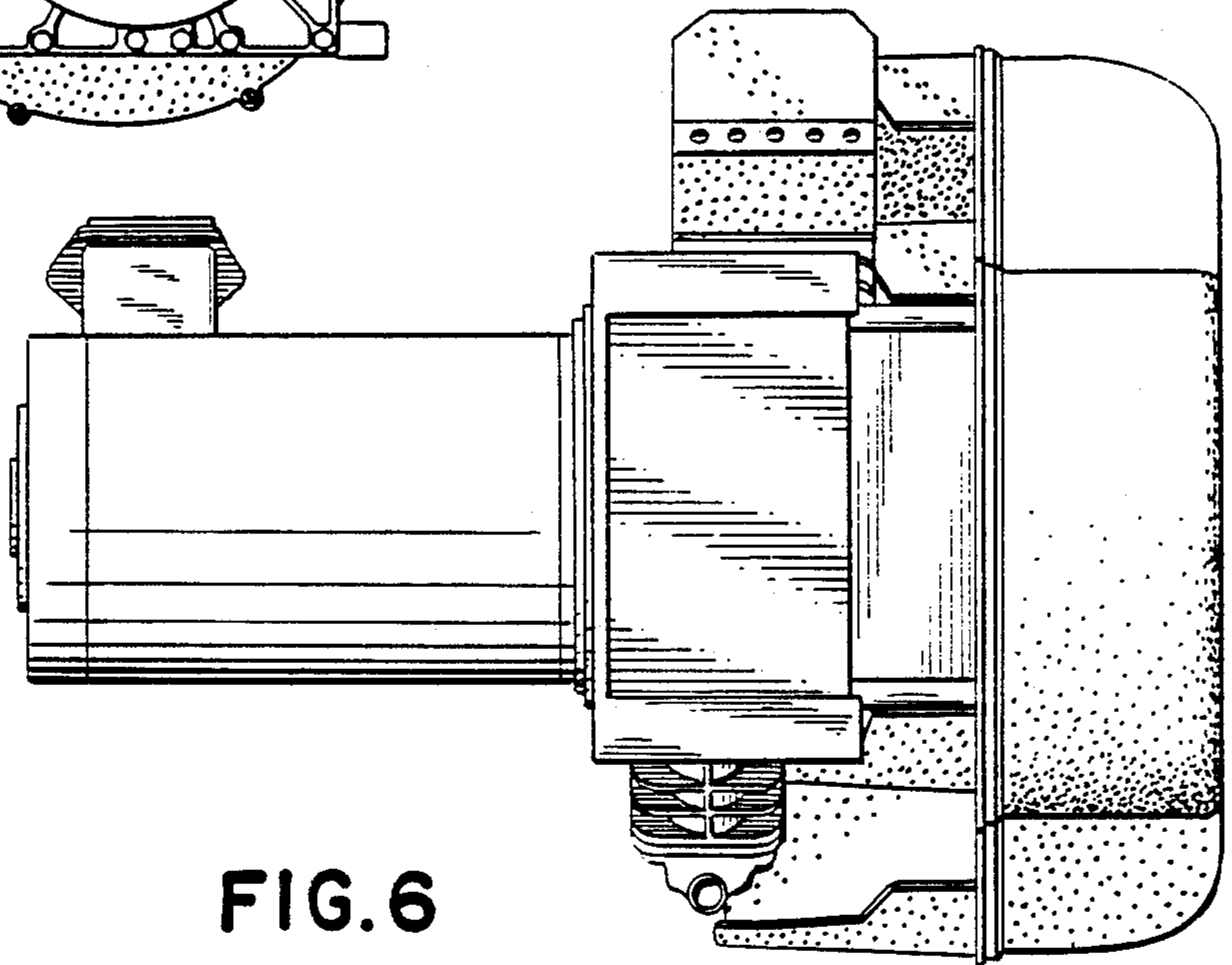


FIG. 5

FIG. 6



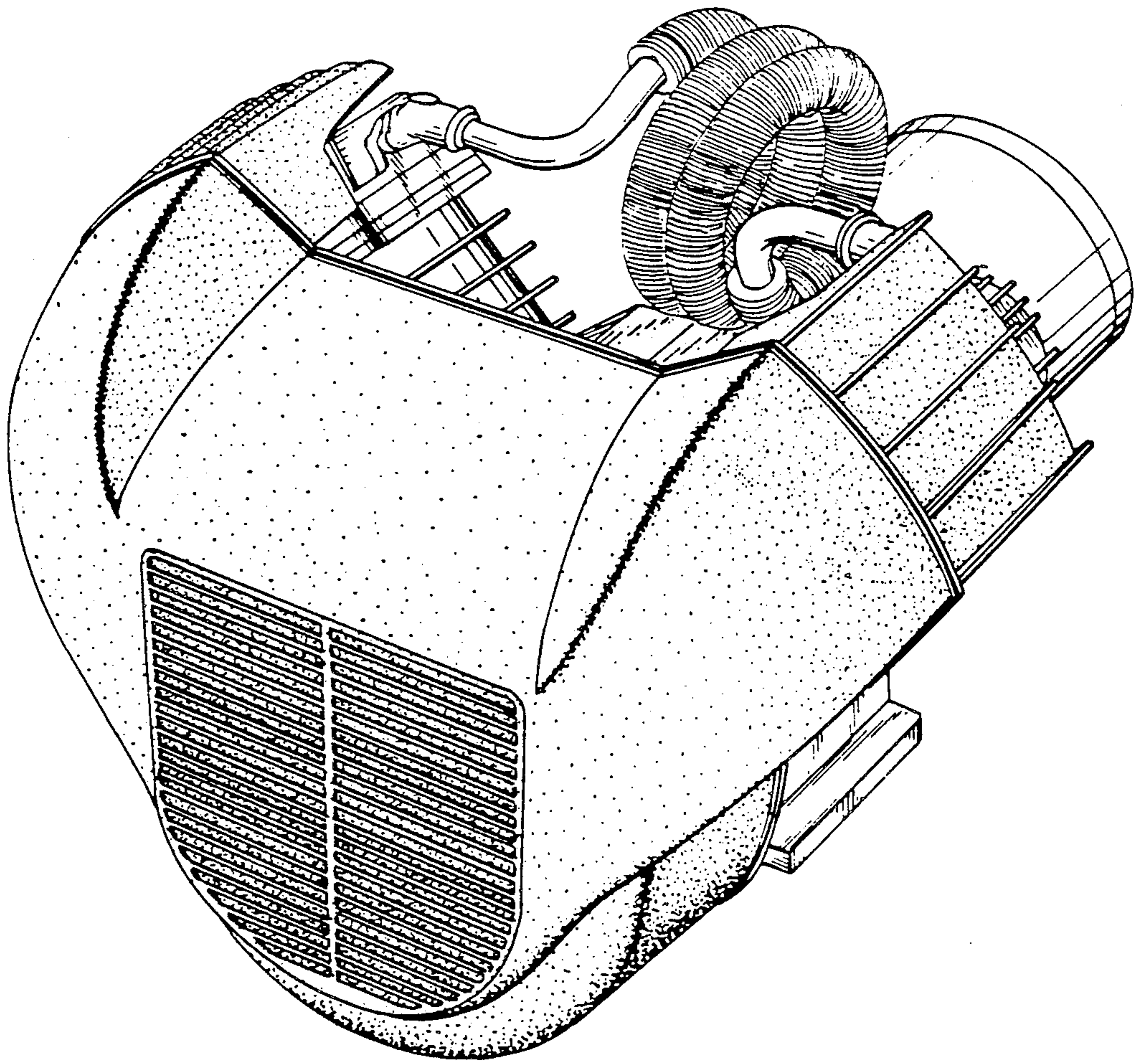


FIG. 7