

[54] COMBINATION TELEPHONE AND ANSWERING SET

[75] Inventor: Arthur T. Martinez, Long Beach, Calif.

[73] Assignee: Fortel Corporation, Compton, Calif.

[\*\*] Term: 14 Years

[21] Appl. No.: 779,381

[22] Filed: Sep. 23, 1985

[52] U.S. Cl. .... D14/52; D14/4; D14/57; D14/63

[58] Field of Search ..... D14/52, 53, 4, 57, 60, D14/62, 63; 179/174, 100 L, 100 R, 100 D, 101, 102, 103; D21/111

[56] References Cited

U.S. PATENT DOCUMENTS

- D. 227,784 7/1973 Jandu et al. .... D14/4
- D. 238,585 1/1976 Derwood ..... D14/52 X
- D. 262,207 12/1981 Kaczkos ..... D14/64 X
- D. 266,162 9/1982 Martinez ..... D14/4
- D. 267,007 11/1982 Chiou ..... D14/53 X
- D. 279,372 6/1985 Baba et al. .... D14/4 X
- D. 282,655 2/1986 Kaku et al. .... D14/4
- D. 283,614 4/1986 Somarchini ..... D14/63 X
- D. 284,368 6/1986 Stonsbury, Jr. .... D14/4
- D. 285,554 9/1986 Beaumont et al. .... D14/52
- D. 286,404 10/1986 Skigen et al. .... D14/63

OTHER PUBLICATIONS

Best catalog-1983-84, at p. 332: Record-A-Call Model CAT-2, Item #5.  
 DAK Industries, Inc. catalog-Early Summer 1985: at p. 65; DAK's Voice Print Answering Mach.; top left Fig. B. A. Pargh Co. Inc., 1983 catalog ©: at p. 33, bottom, Model KXT1420, Panasonic Answerer.  
 Best catalog 1984-85; at p. 296, "Cobra" Answer Machine; Model AN3100.

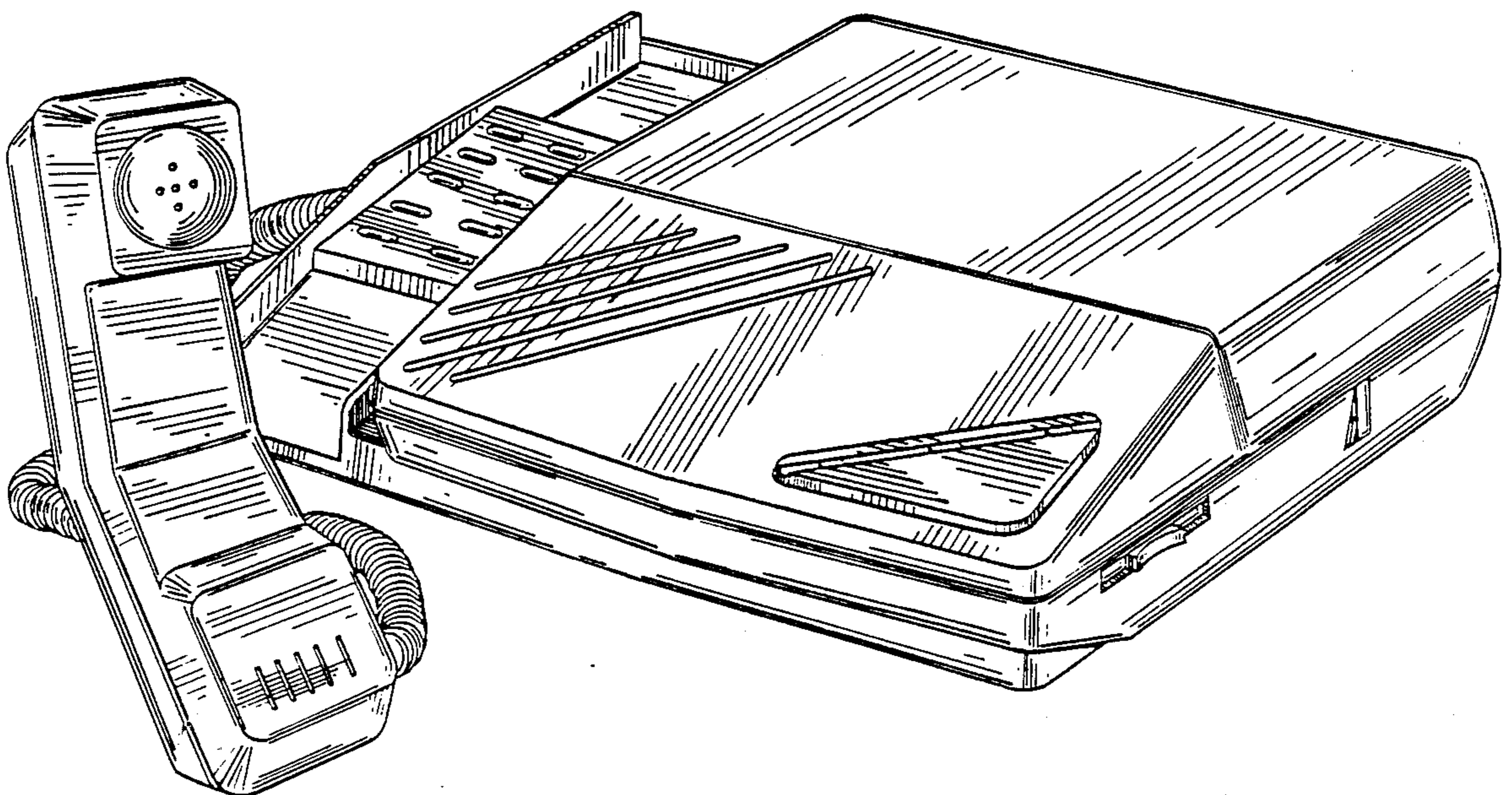
Primary Examiner—Wallace R. Burke  
 Assistant Examiner—Horace B. Fay  
 Attorney, Agent, or Firm—Paul R. Wylie

[57] CLAIM

The ornamental design for a combination telephone and answering set, as shown and described.

DESCRIPTION

FIG. 1 is a front top and right side view of a combination telephone and answering set showing my new design;  
 FIG. 2 is a top plan view thereof;  
 FIGS. 3 and 4 are respectively left and right side elevational views thereof;  
 FIG. 5 is a front elevational view thereof;  
 FIG. 6 is a rear elevational view thereof;  
 FIG. 7 is a bottom plan view thereof;  
 FIG. 8 is a front, top and right side perspective view of the stand thereof, and a right side and bottom perspective view of the handset thereof.  
 The cords of the set are omitted in some views and are shown only fragmentarily in FIG. 6 for ease of illustration.



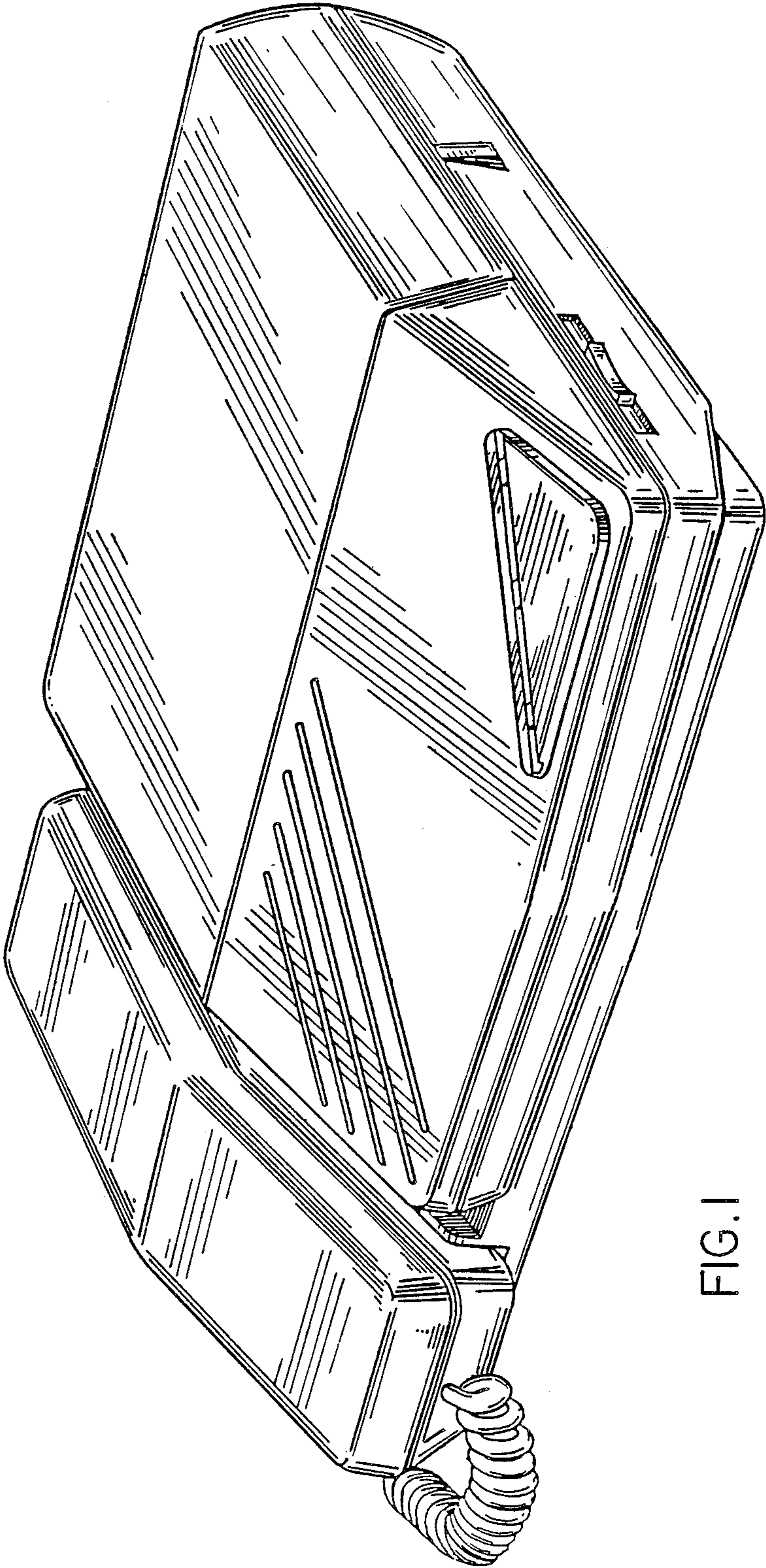
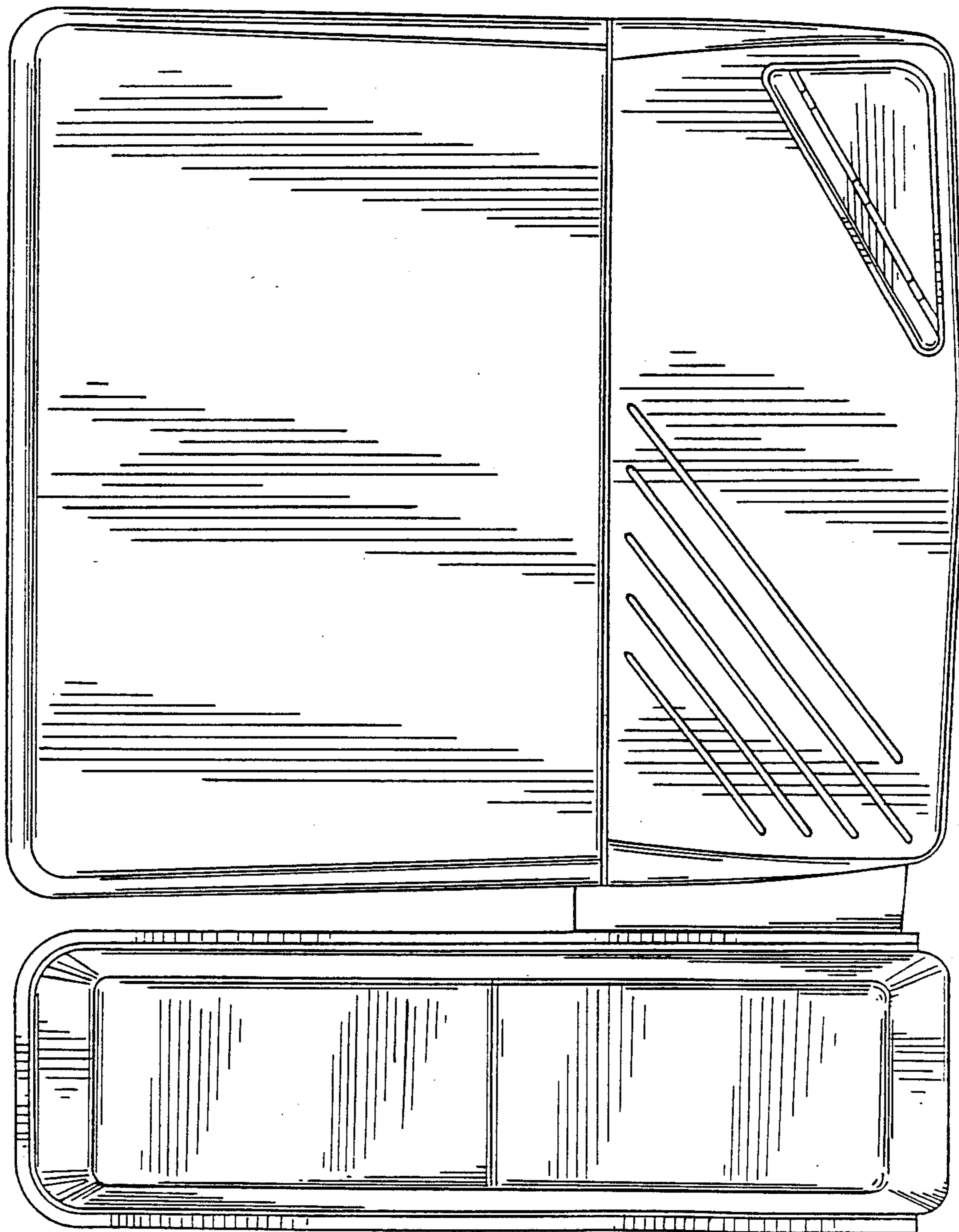


FIG. 1

FIG. 2



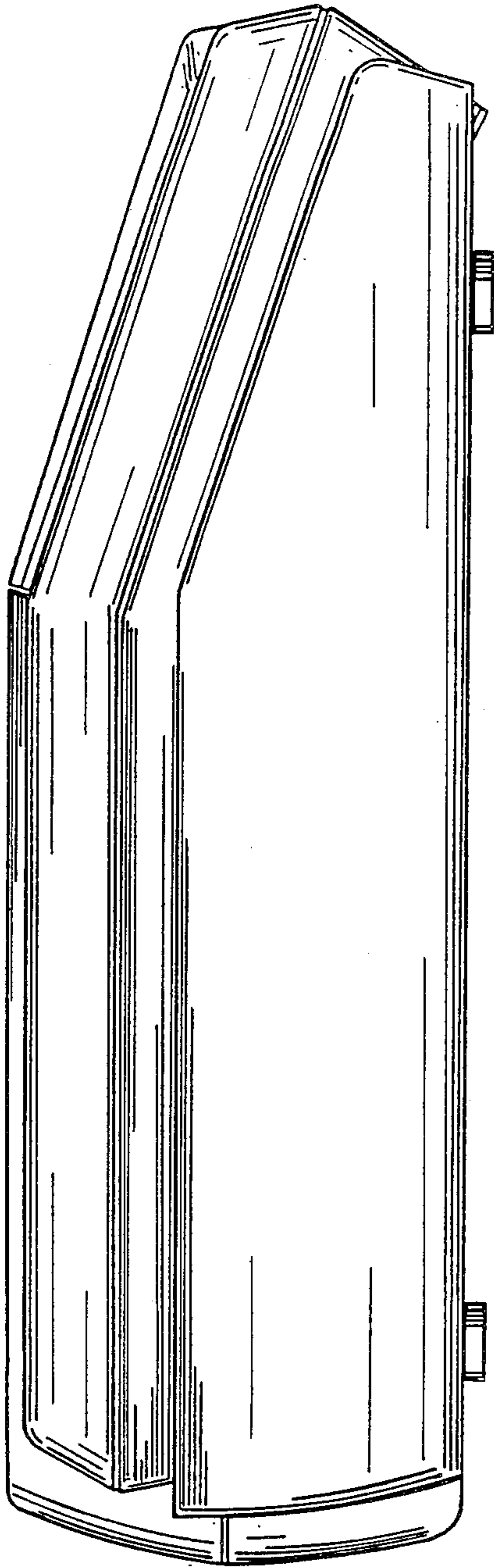


FIG. 3

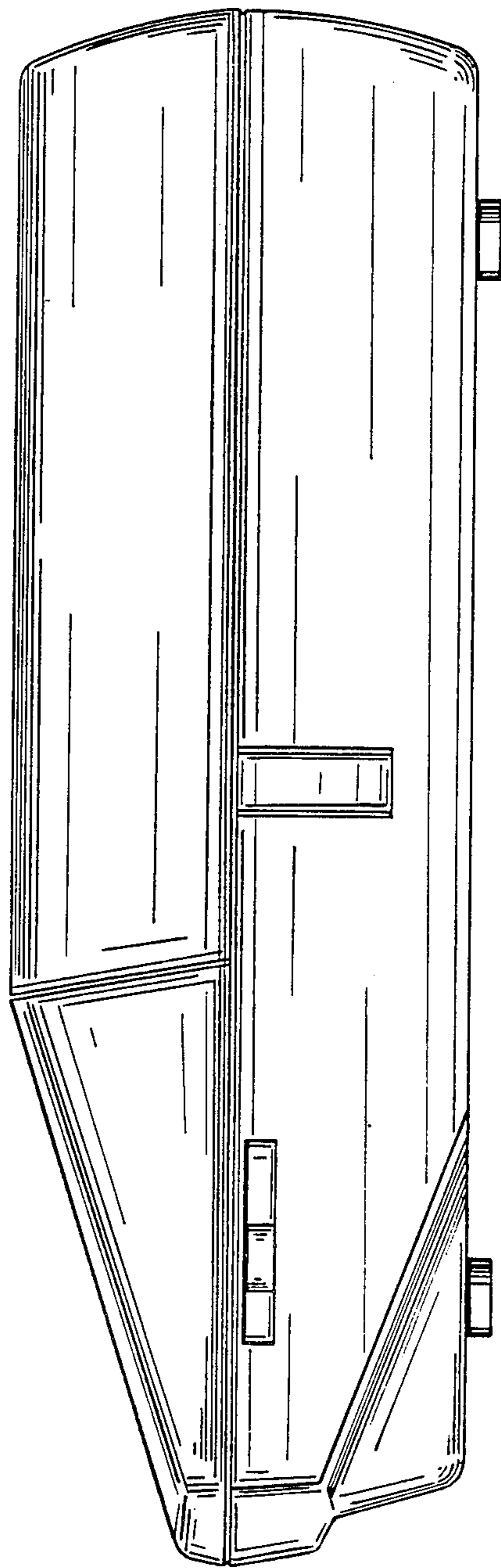


FIG. 4

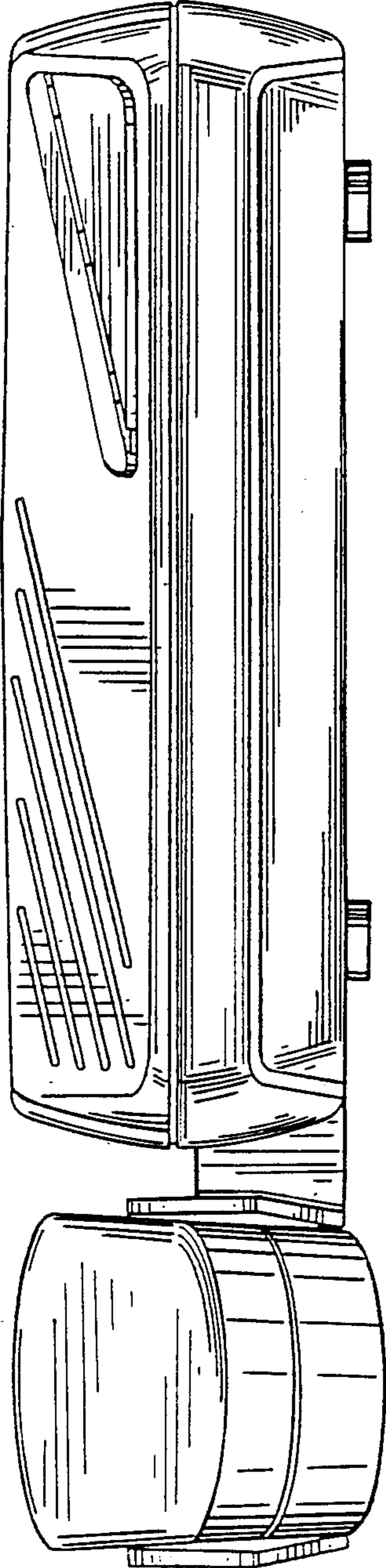


FIG. 5

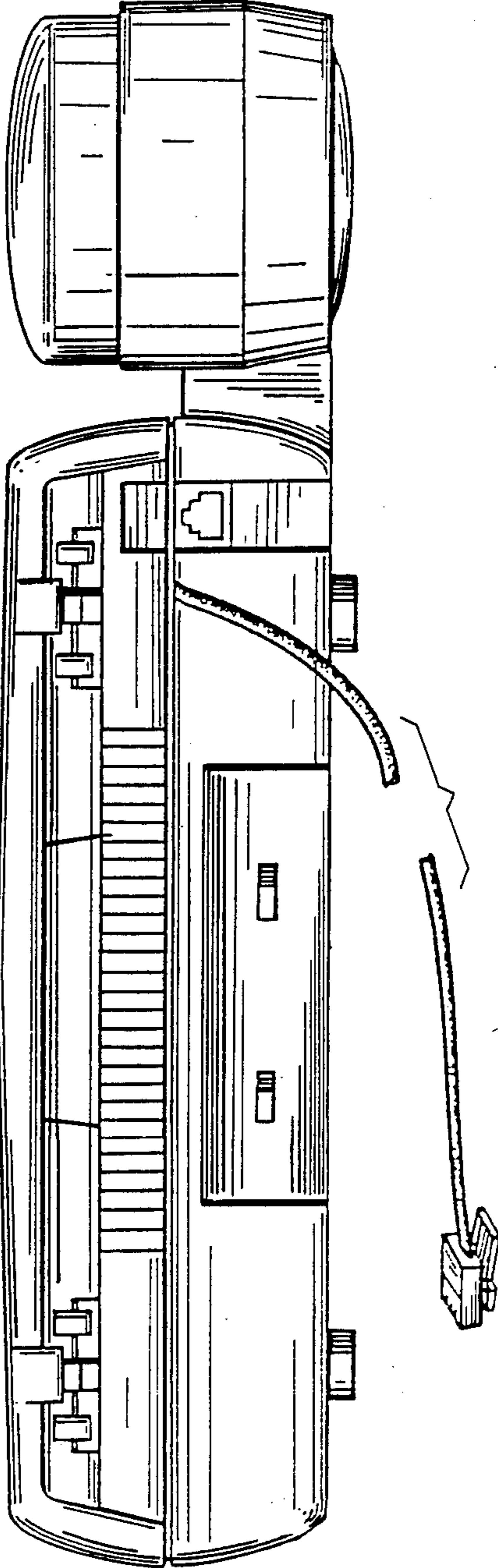
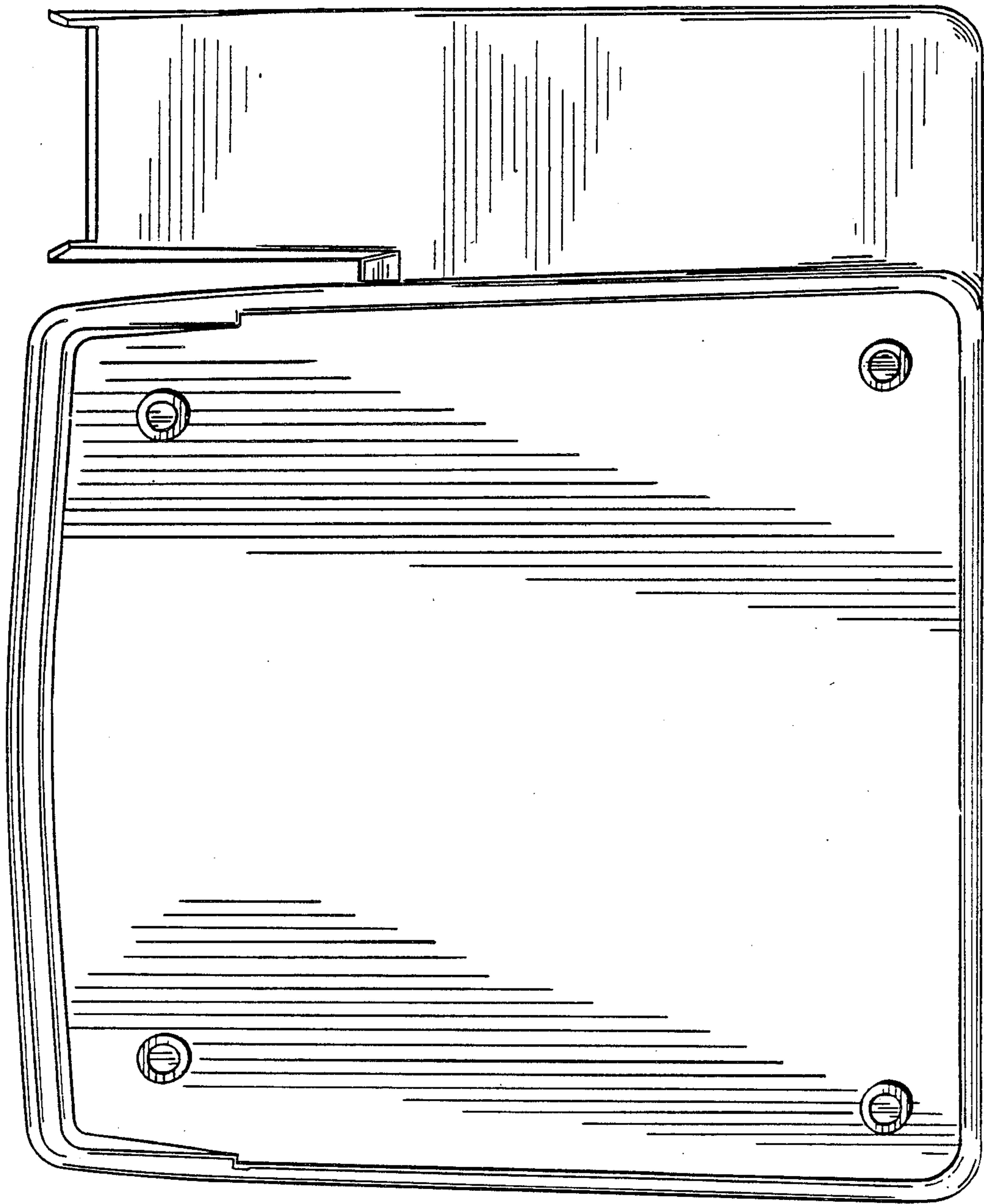


FIG. 6

FIG. 7



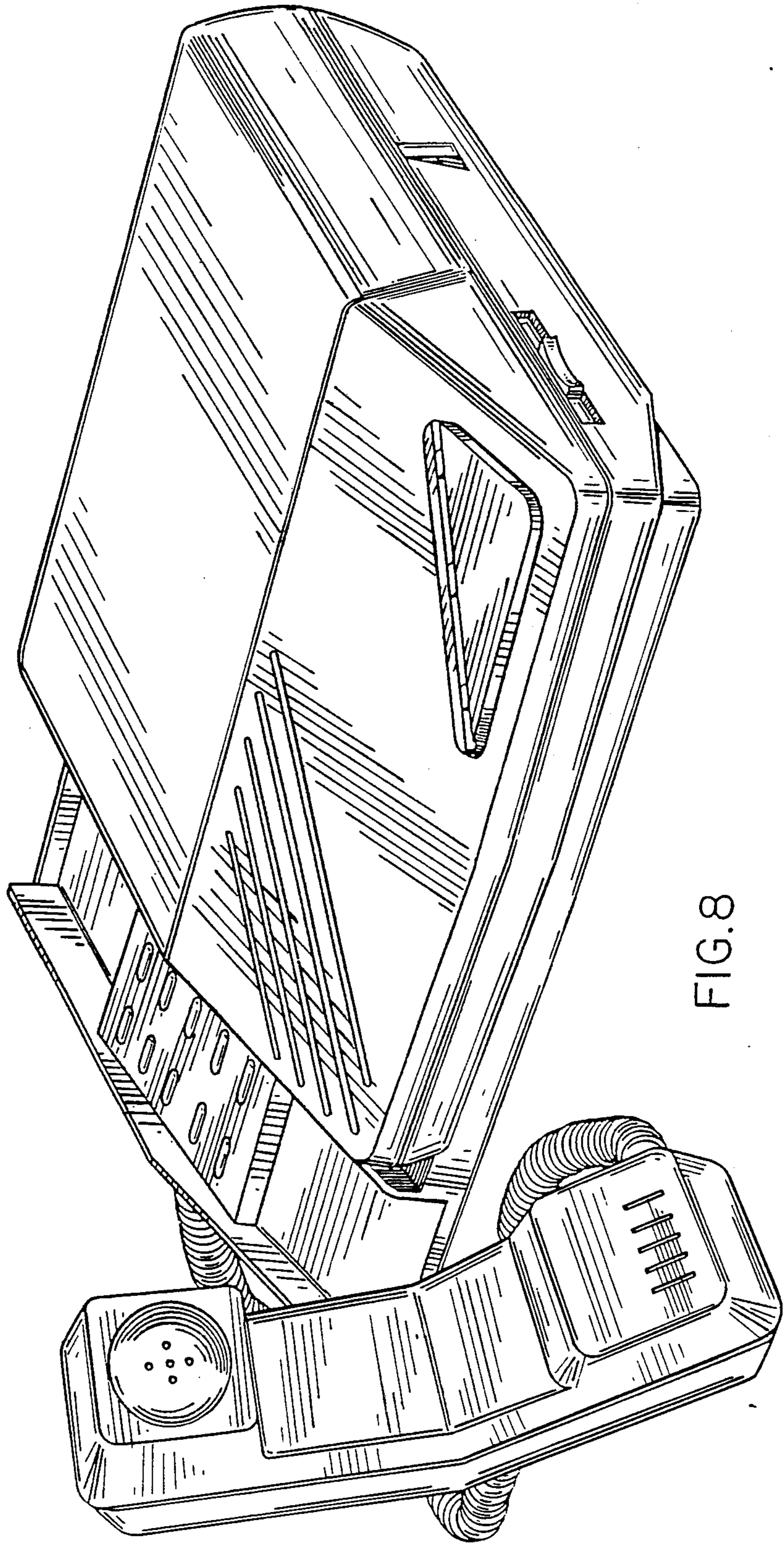


FIG.8