

[54] TRI-SPOKED STEERING WHEEL

[76] Inventor: Thomas L. Faul, P.O. Box 181, Washago, Ontario, Canada, L0K 2B0

[**] Term: 14 Years

[21] Appl. No.: 772,241

[22] Filed: Aug. 30, 1985

[52] U.S. Cl. D12/176

[58] Field of Search D12/176; 74/552

[56] References Cited

U.S. PATENT DOCUMENTS

- D. 252,457 7/1979 Conterno D12/176
- D. 254,486 3/1980 Montgomery et al. D12/176

OTHER PUBLICATIONS

Morse Controls Distributor Catalogue, 9/84, Super Surfer Steering Wheel, bottom center of page.

Primary Examiner—James M. Gandy

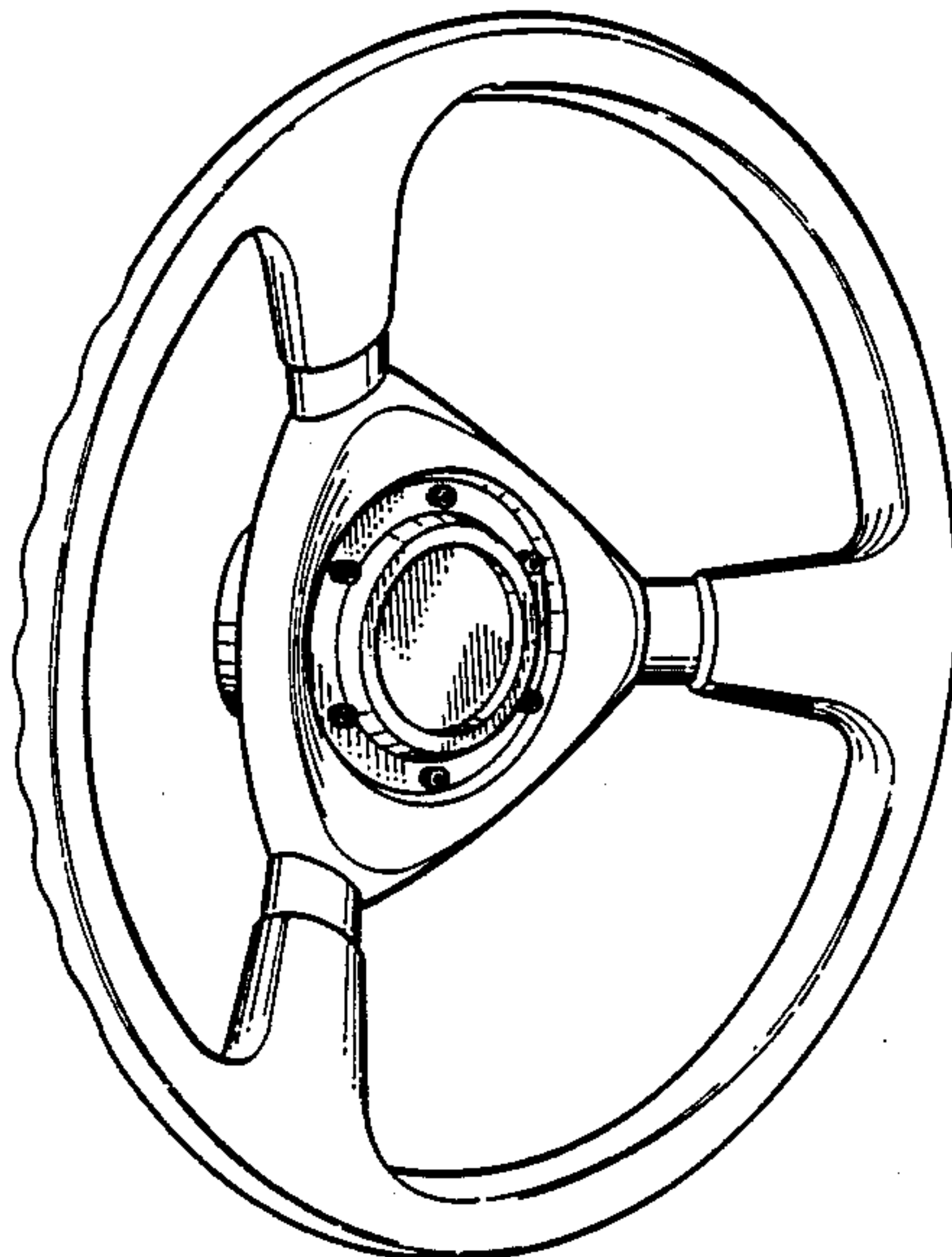
Attorney, Agent, or Firm—Riches, McKenzie & Herbert

[57] CLAIM

The ornamental design for a tri-spoked steering wheel, as shown.

DESCRIPTION

FIG. 1 is a front perspective view of a tri-spoked steering wheel showing my new design; FIG. 2 is a front elevation view thereof; FIG. 3 is a side elevation view thereof; FIG. 4 is a side perspective view thereof; and FIG. 5 is a rear elevation view thereof.



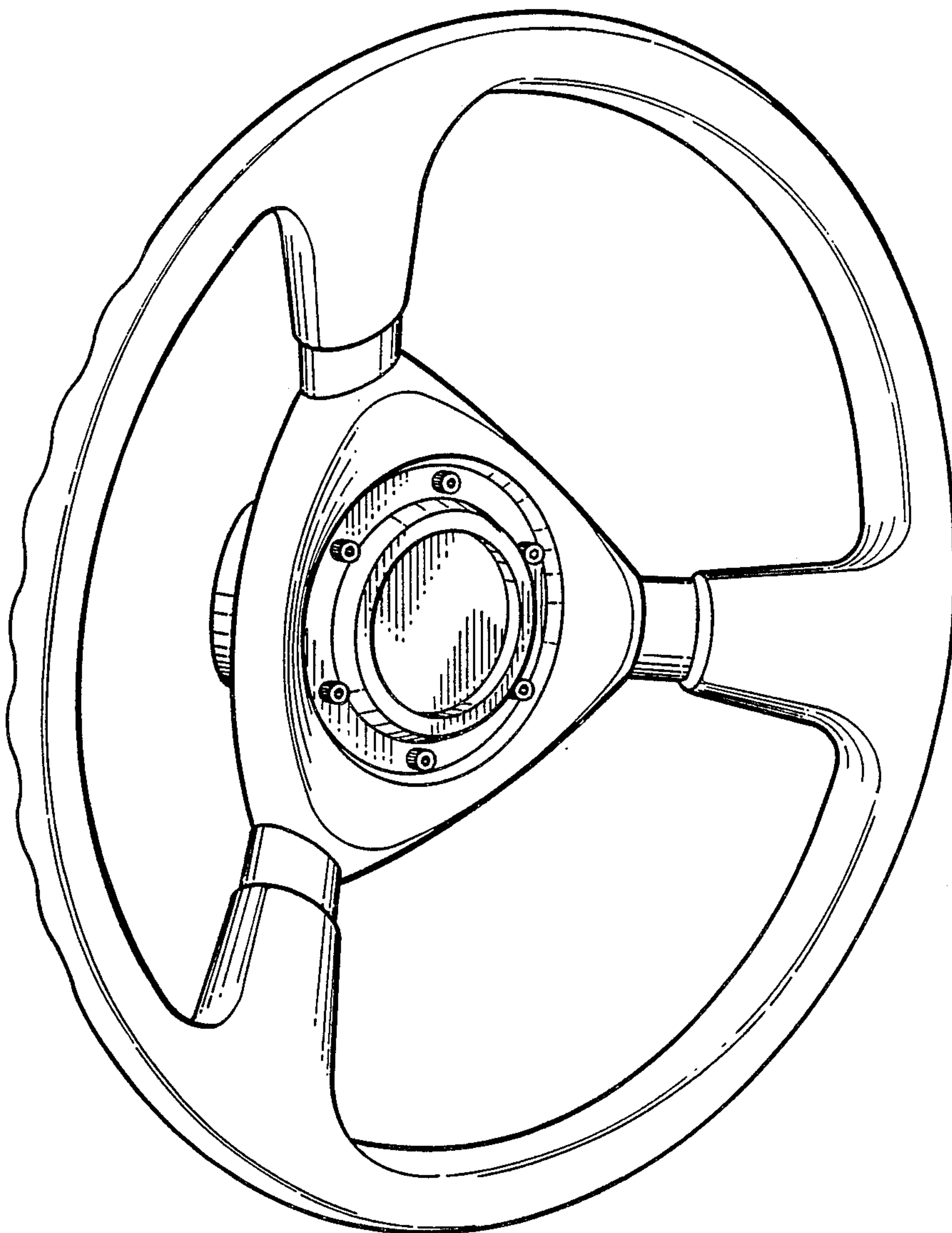


FIG.1.

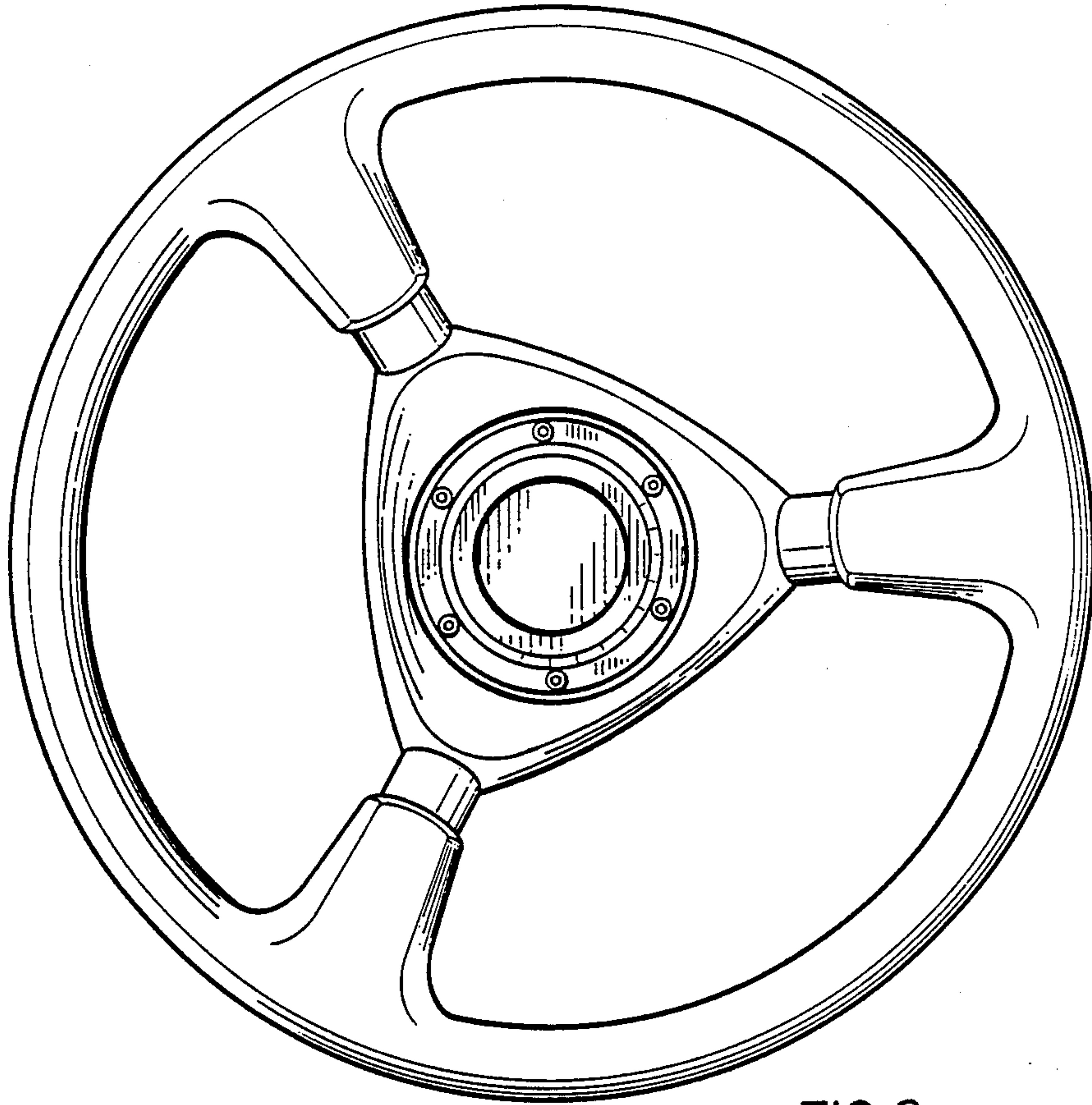


FIG. 2.

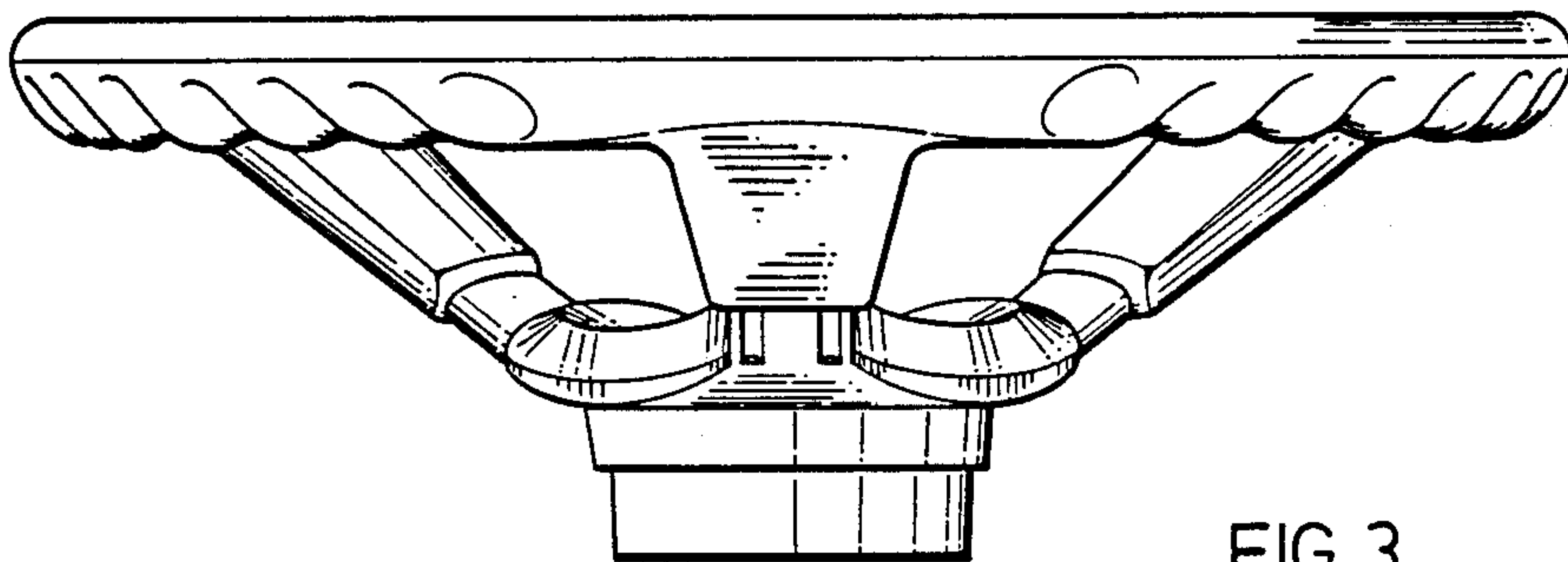


FIG. 3.

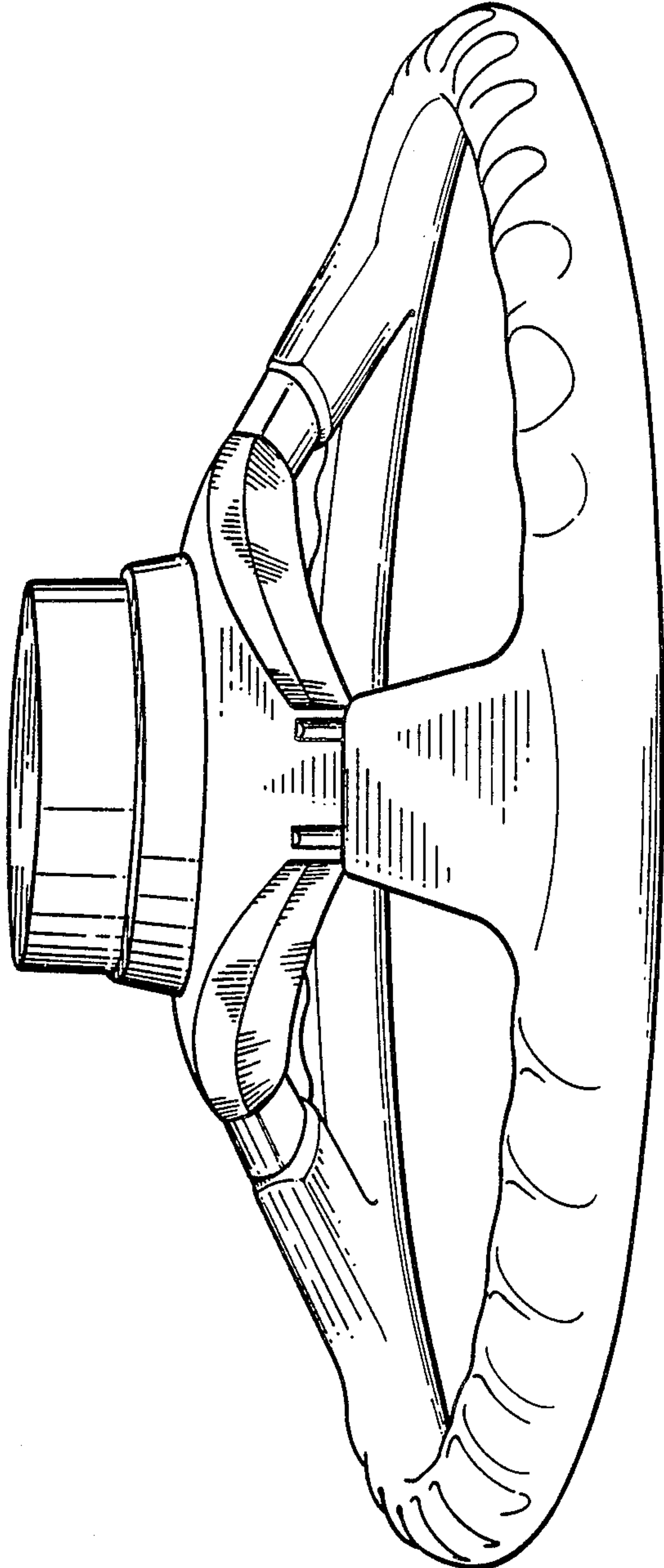


FIG.4.

FIG. 5.

