

[54] CLOCK

[76] Inventor: Walter Zyhylij, 569 S. Whitney,
Fresno, Calif. 93702

[**] Term: 14 Years

[21] Appl. No.: 752,963

[22] Filed: Jul. 8, 1985

[52] U.S. Cl. D10/6; D10/12;
D10/22

[58] Field of Search D10/6, 12, 13, 22;
D12/183, 210, 317; 368/10-11

[56] References Cited

U.S. PATENT DOCUMENTS

- | | | | | |
|------------|---------|----------|-------|-----------|
| D. 151,300 | 10/1948 | Thompson | | D12/183 X |
| D. 164,036 | 7/1951 | Lyon | | D12/210 |
| D. 173,666 | 12/1954 | Mason | | D12/210 |
| D. 196,789 | 11/1963 | Pyshe | | D12/210 |

OTHER PUBLICATIONS

Commercial Car Journal—5/71—p. 124—Alum. Wheel
at bottom.

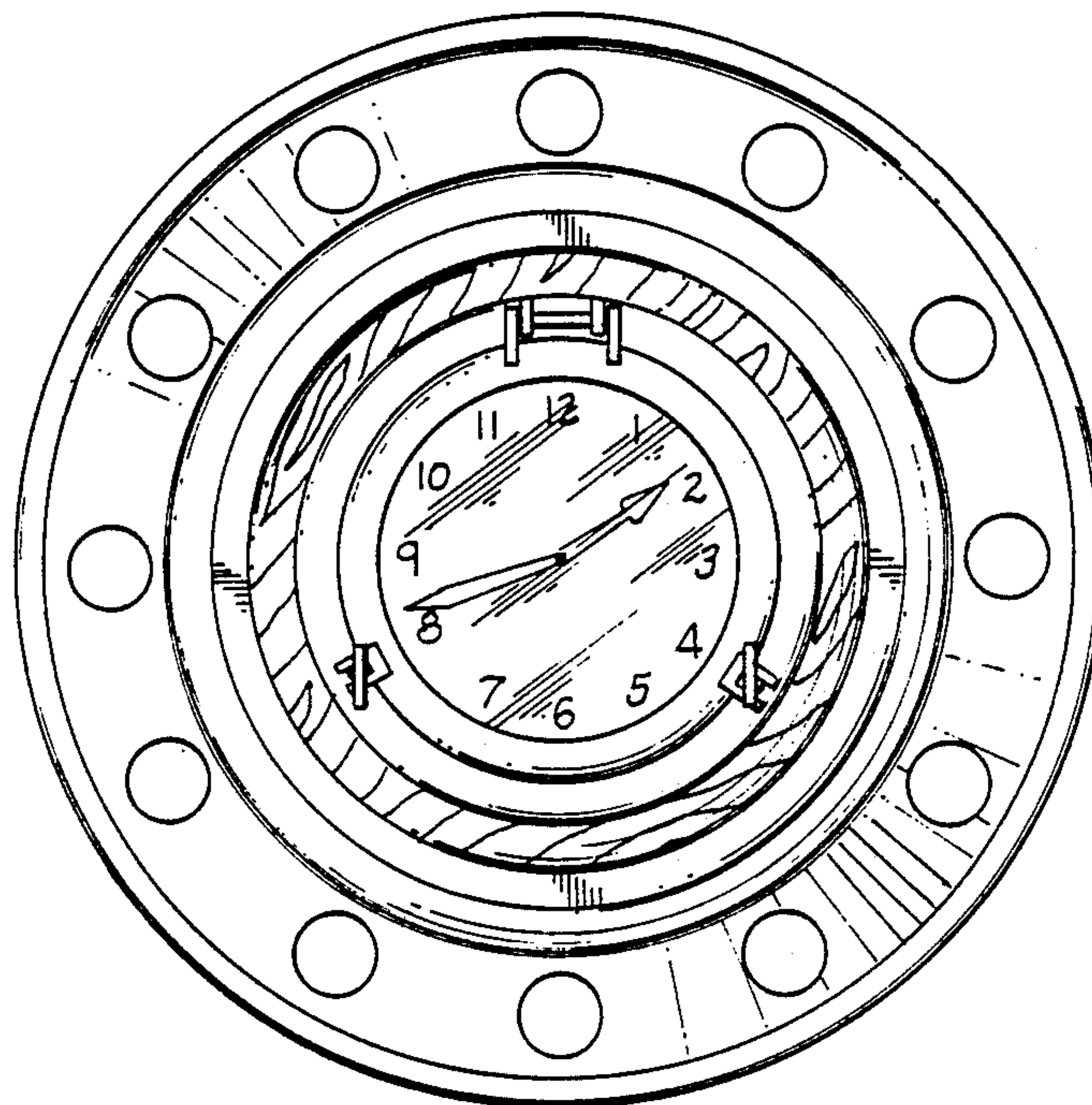
Primary Examiner—Nelson C. Holtje
Attorney, Agent, or Firm—James D. Givnan, Jr.

[57] CLAIM

The ornamental design for a clock, as shown and de-
scribed.

DESCRIPTION

FIG. 1 is a front elevational view of a clock showing my
new design;
FIG. 2 is a right side elevational view thereof with a left
side elevational view being a mirror image of FIG. 2;
FIG. 3 is a top plan view thereof;
FIG. 4 is a bottom plan view thereof, and
FIG. 5 is a rear elevational view thereof on a reduced
scale.



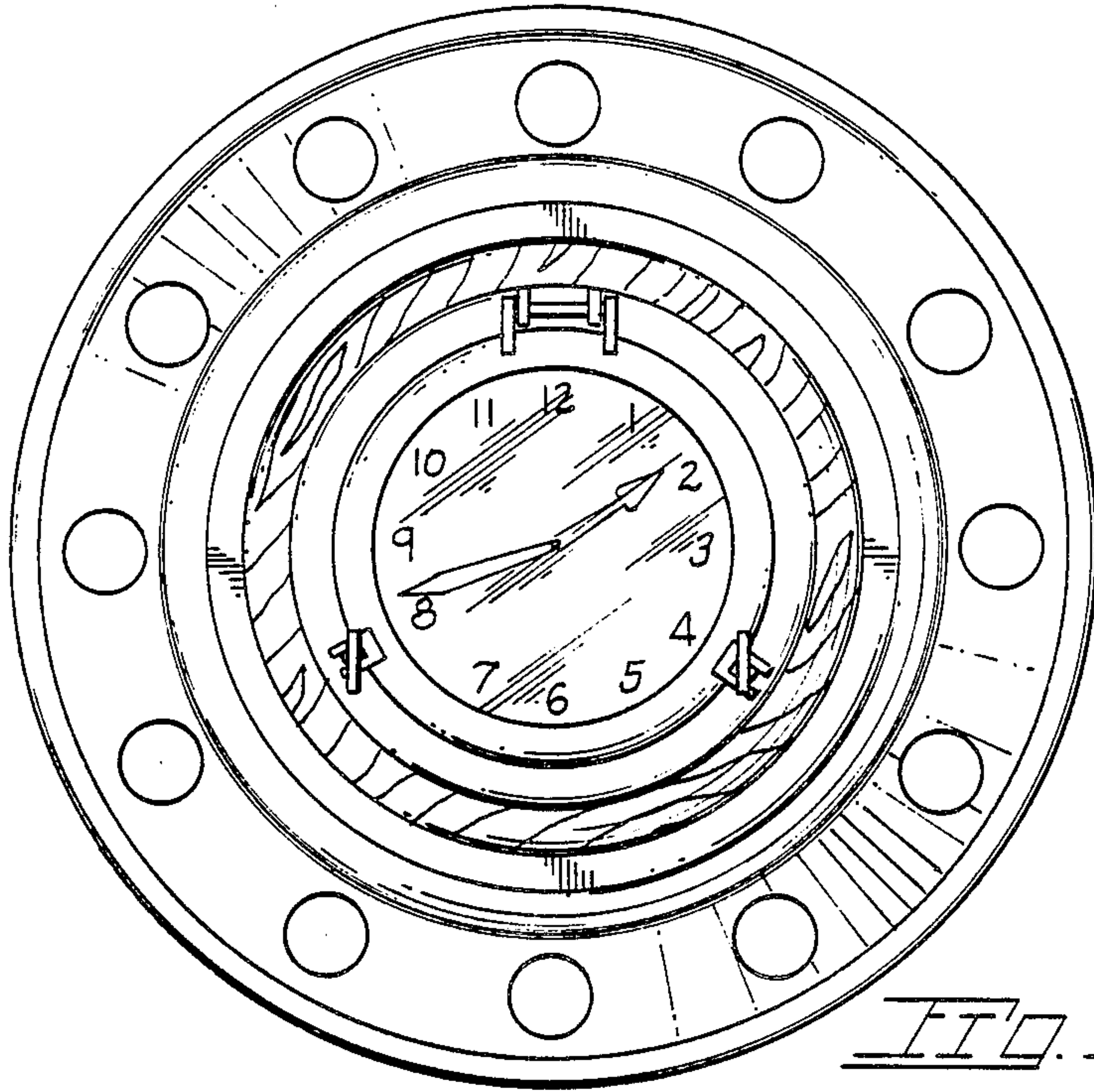


FIG. 1

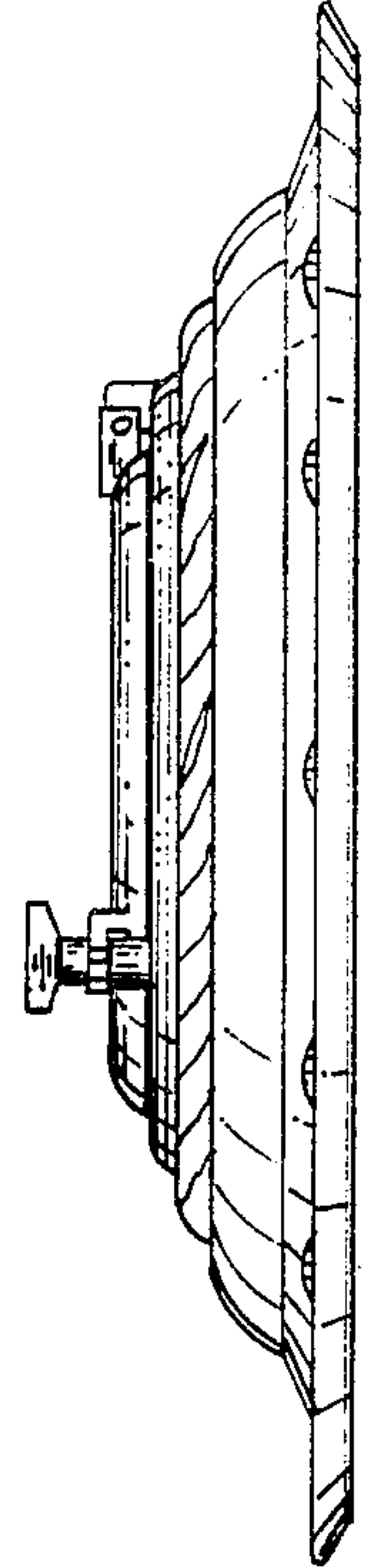


FIG. 2

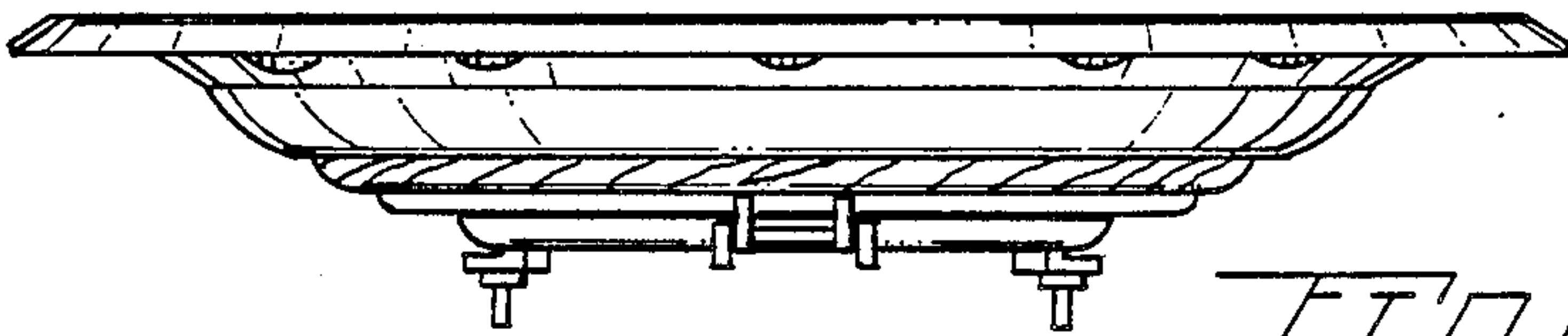


FIG. 3

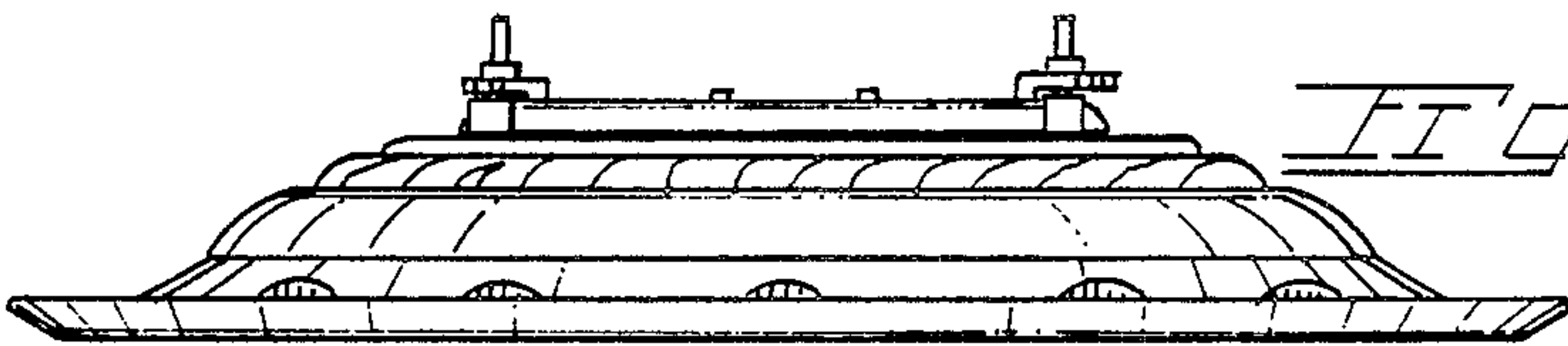


FIG. 4

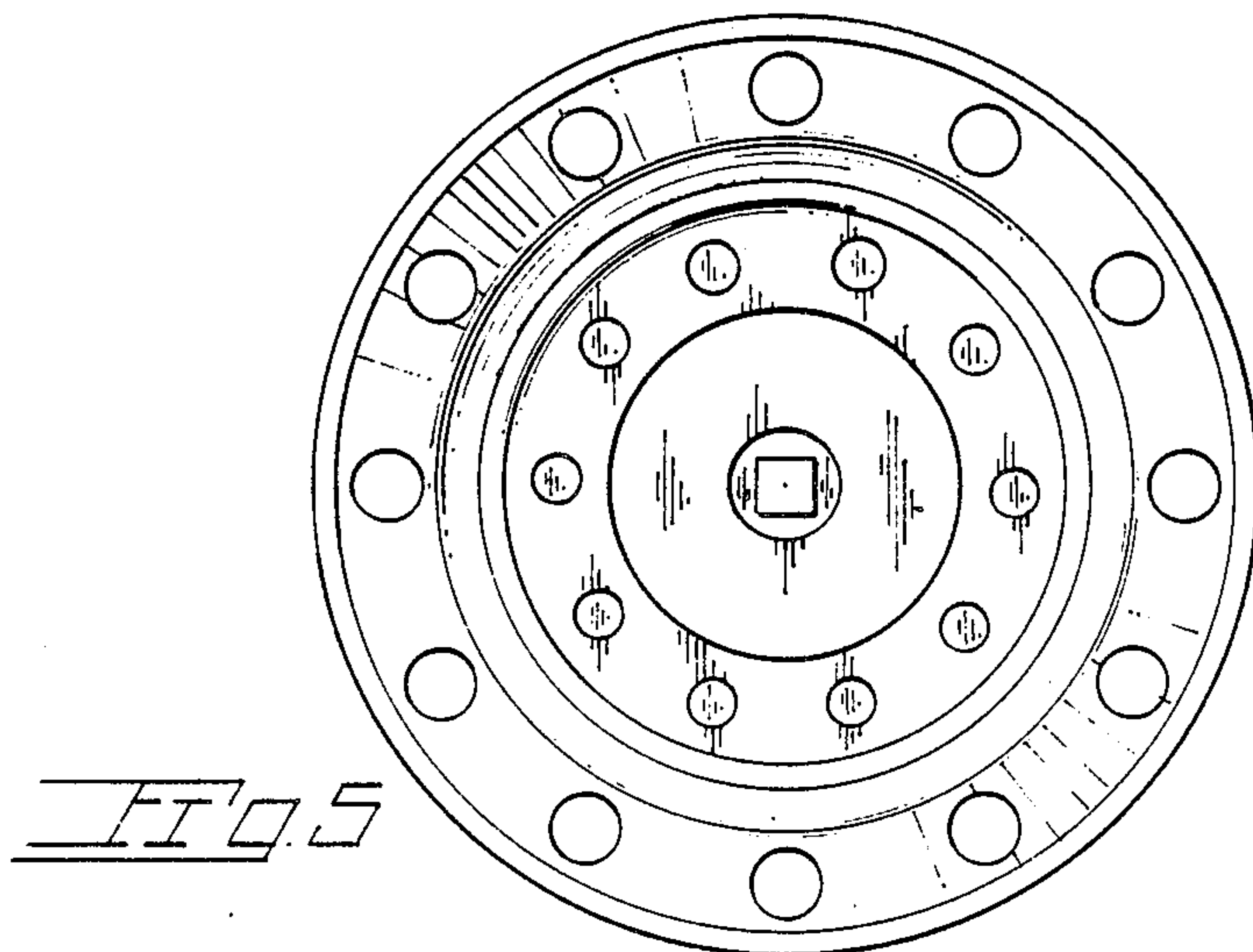


FIG. 5