

[54] COMBINED CONTAINER, LID AND CARRYING HANDLE

[75] Inventor: Adrien P. Rayner, Iver, England

[73] Assignee: Metal Box P.L.C., Reading, England

[**] Term: 14 Years

[21] Appl. No.: 764,738

[22] Filed: Aug. 12, 1985

[30] Foreign Application Priority Data

Feb. 12, 1985 [GB] United Kingdom 1024977

[52] U.S. Cl. D9/379; D9/355; D9/399

[58] Field of Search D9/349, 352, 353, 355, D9/390, 399, 379, 434, 435; D32/53, 53.1, 54; 229/4.5, 5.5, 5.7, 1.5 B, 1.5 R; 220/1 R

[56] References Cited

U.S. PATENT DOCUMENTS

- D. 15,847 2/1885 Walsh D9/379
- D. 199,278 9/1964 Douglas D9/379
- D. 220,316 3/1971 Bardell D9/379

- D. 220,847 6/1971 Holcroft et al. D9/379 X
- D. 265,176 6/1982 Bock D9/335 X
- D. 276,139 10/1984 Rayner D9/352
- D. 277,646 2/1985 Jorgensen D9/355 X
- D. 278,800 5/1985 Bowen et al. D9/352 X
- D. 287,824 1/1987 Rayner D9/349 X

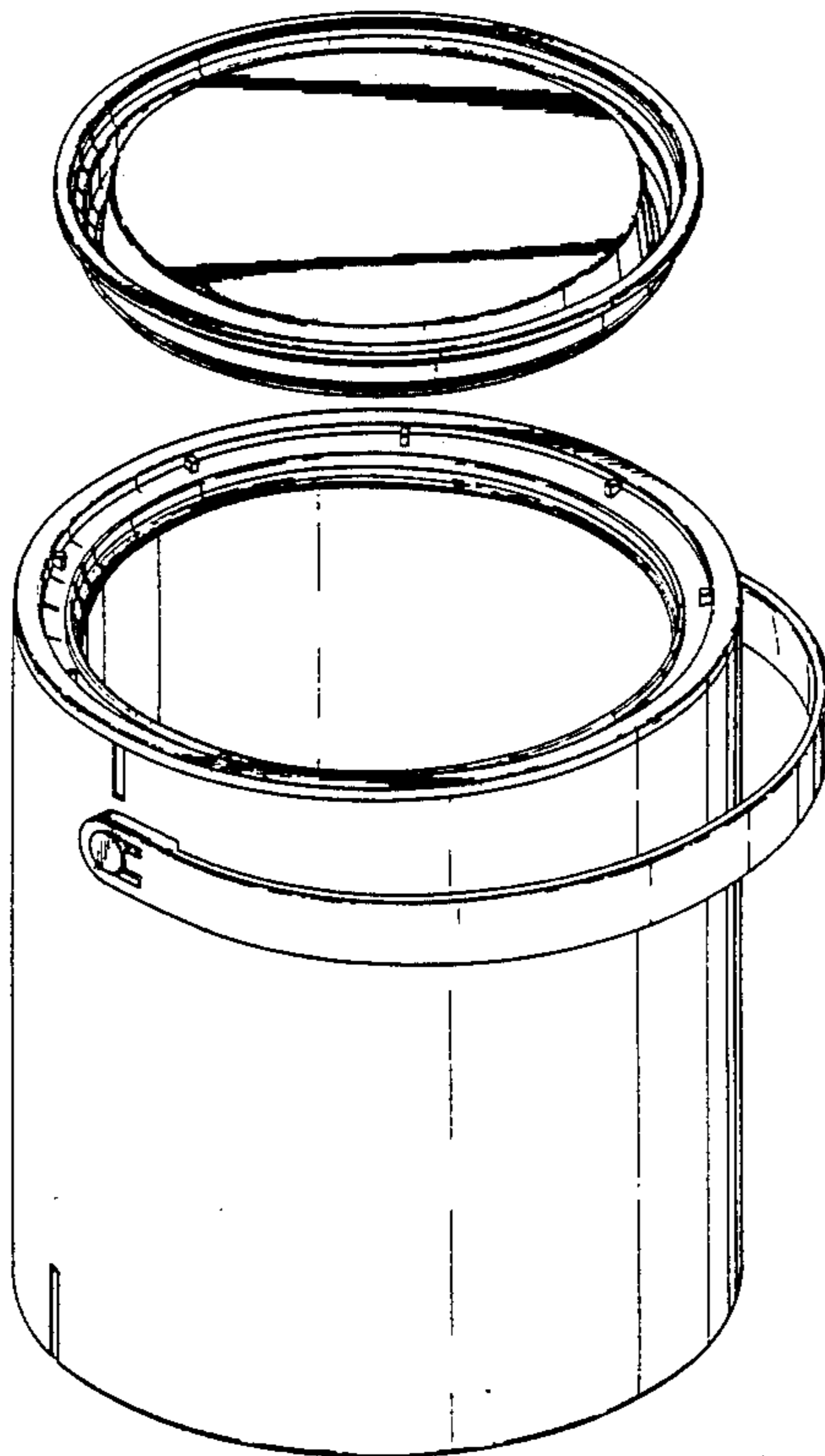
Primary Examiner—Robert C. Spangler
Attorney, Agent, or Firm—Burns, Doane, Swecker & Mathis

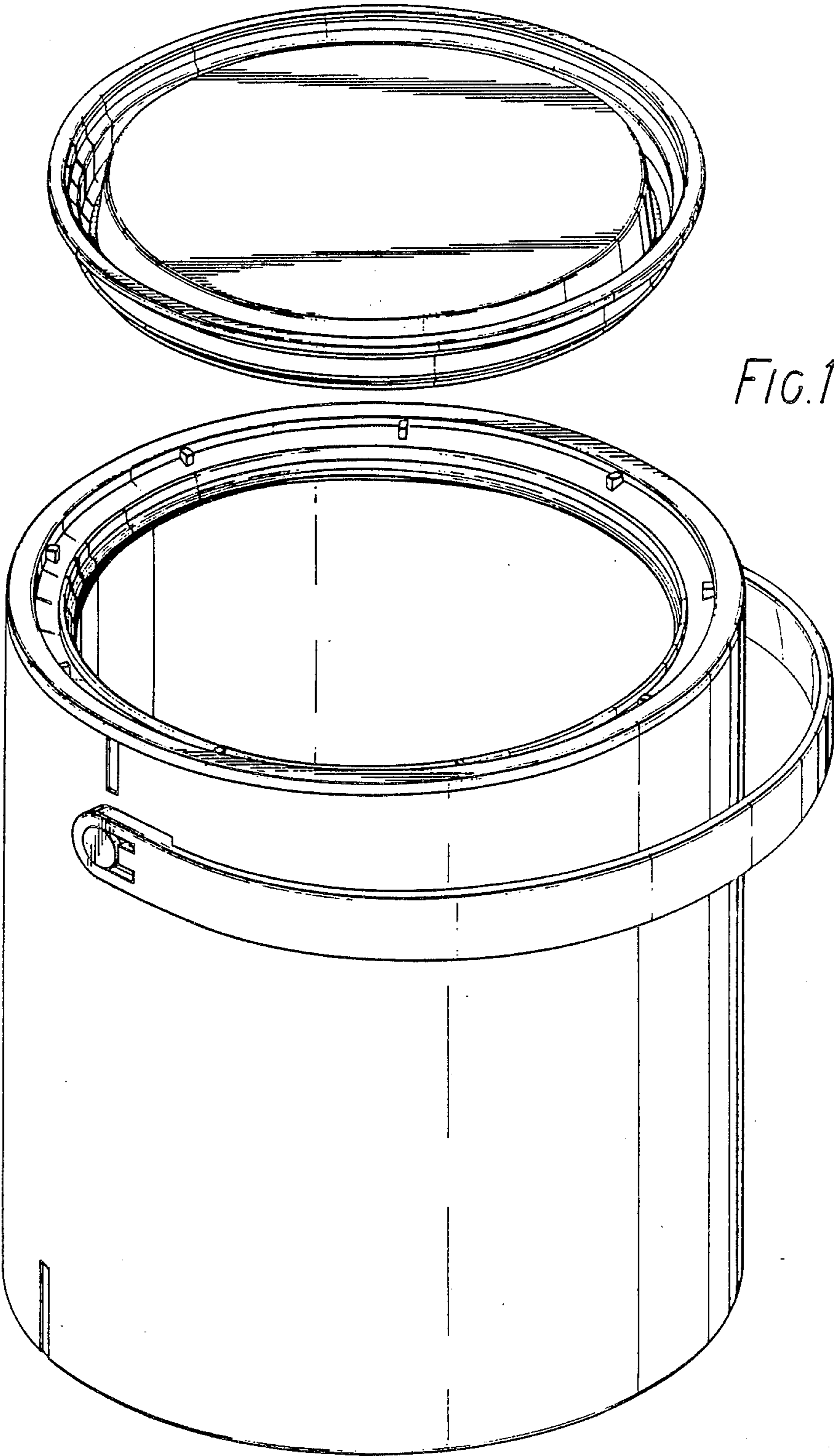
[57] CLAIM

The ornamental design for a combined container, lid and carrying handle, as shown.

DESCRIPTION

FIG. 1 is an exploded top perspective view of a combined container, lid and carrying handle showing my new design;
 FIG. 2 is an exploded bottom perspective view;
 FIG. 3 is an exploded side elevational view;
 FIG. 4 is an exploded vertical sectional view taken on the line 4—4 of FIG. 3; and,
 FIG. 5 is an exploded bottom perspective view partly broken away.





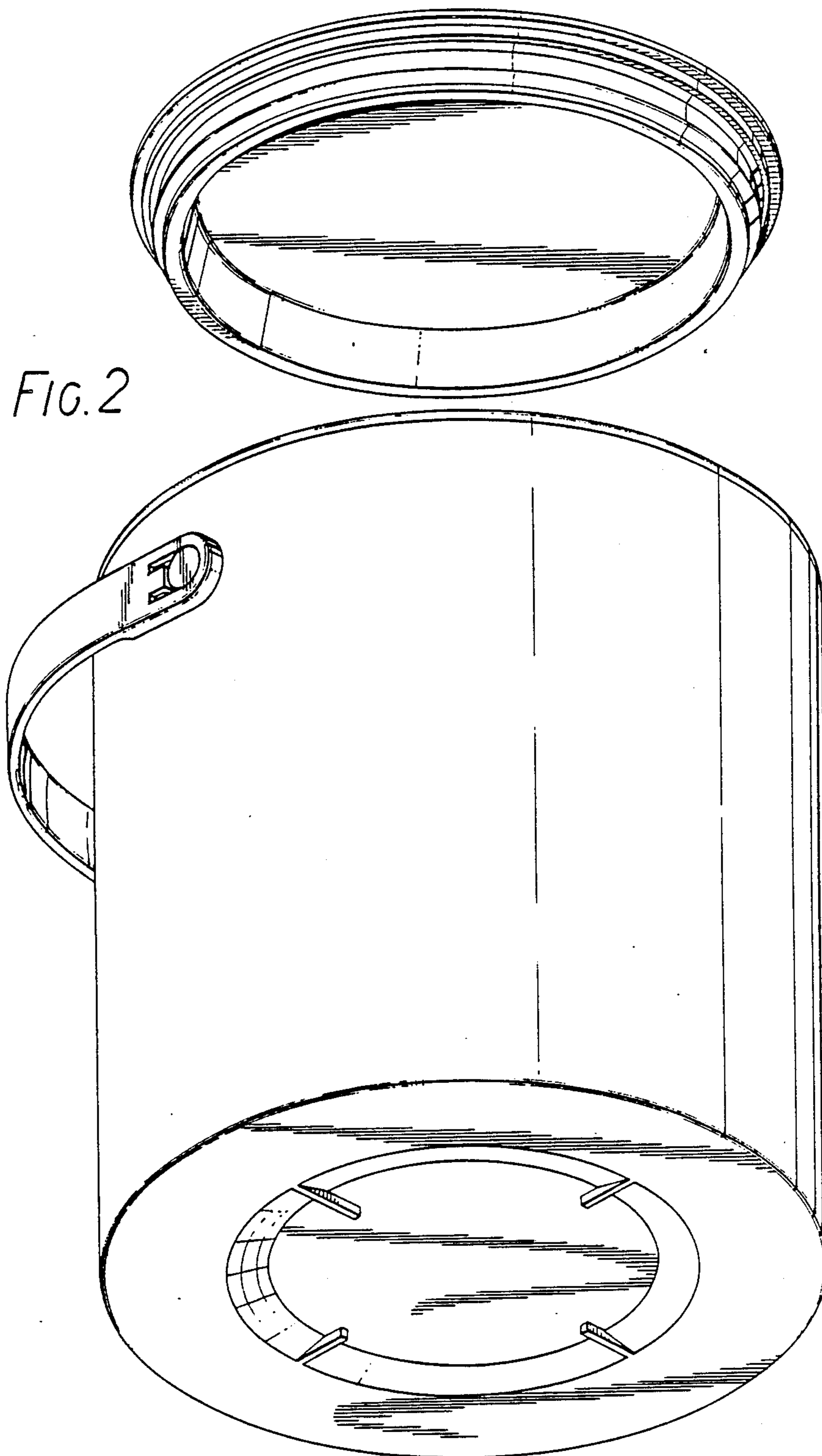


FIG. 2

FIG. 3

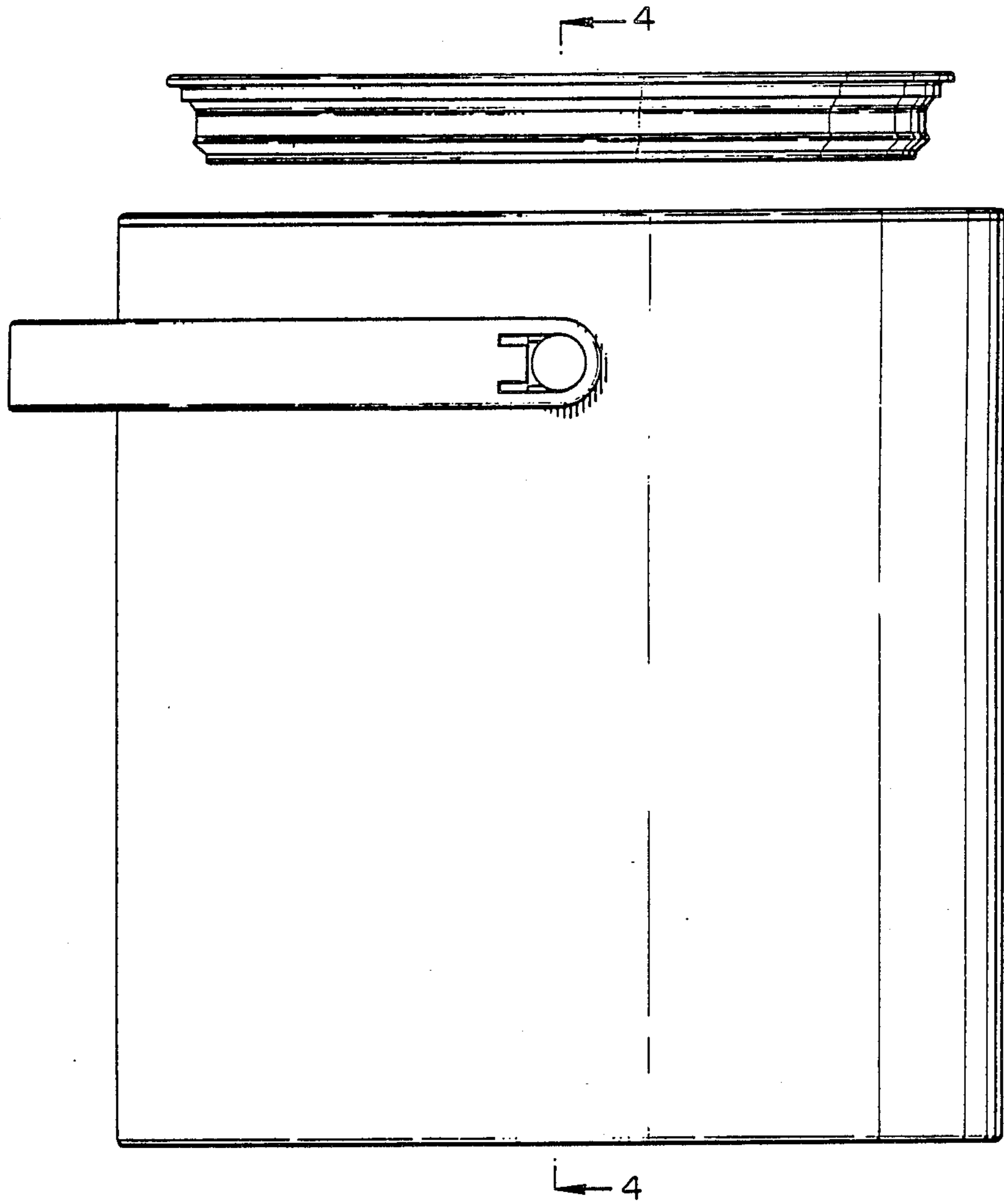
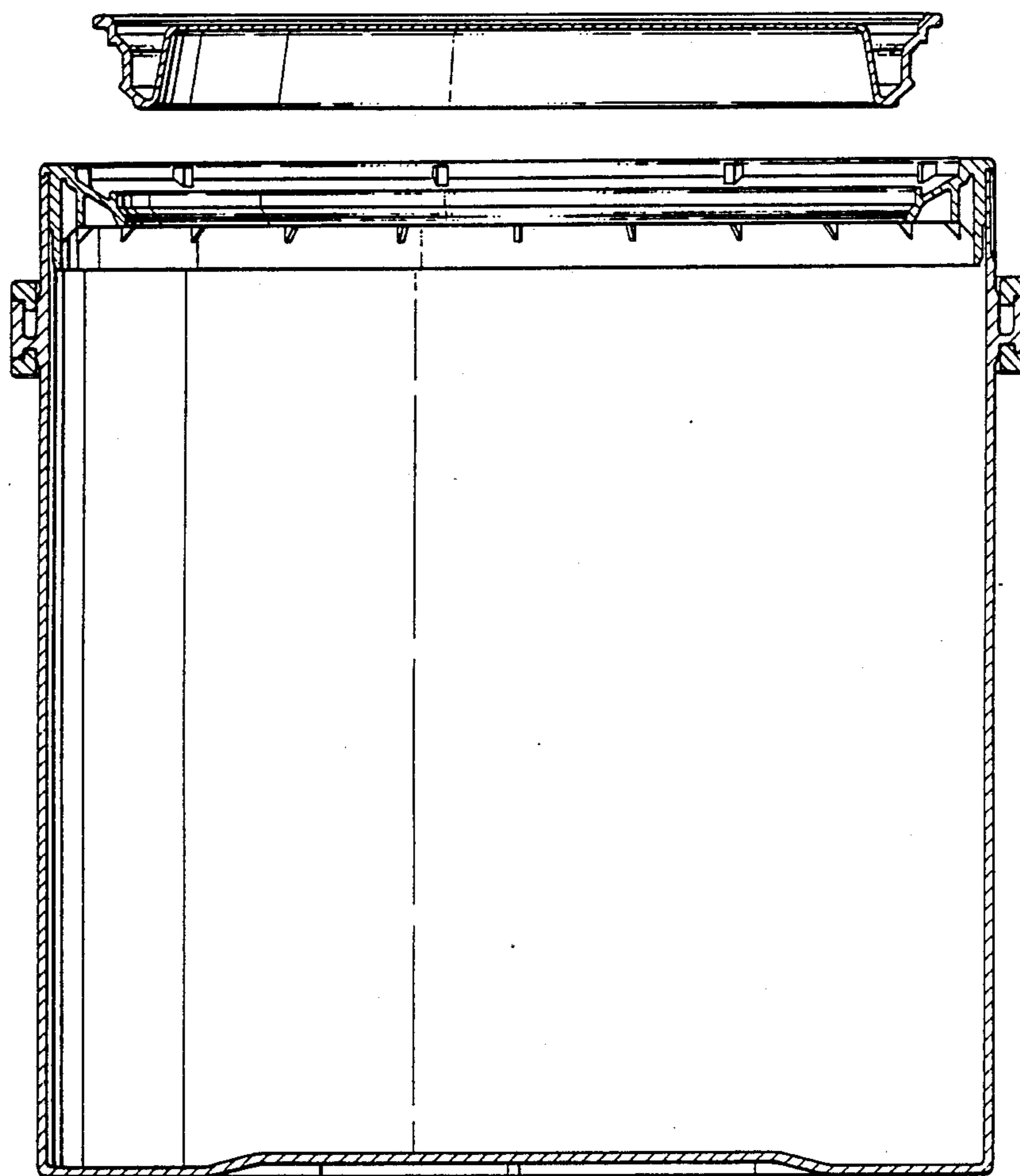


FIG. 4



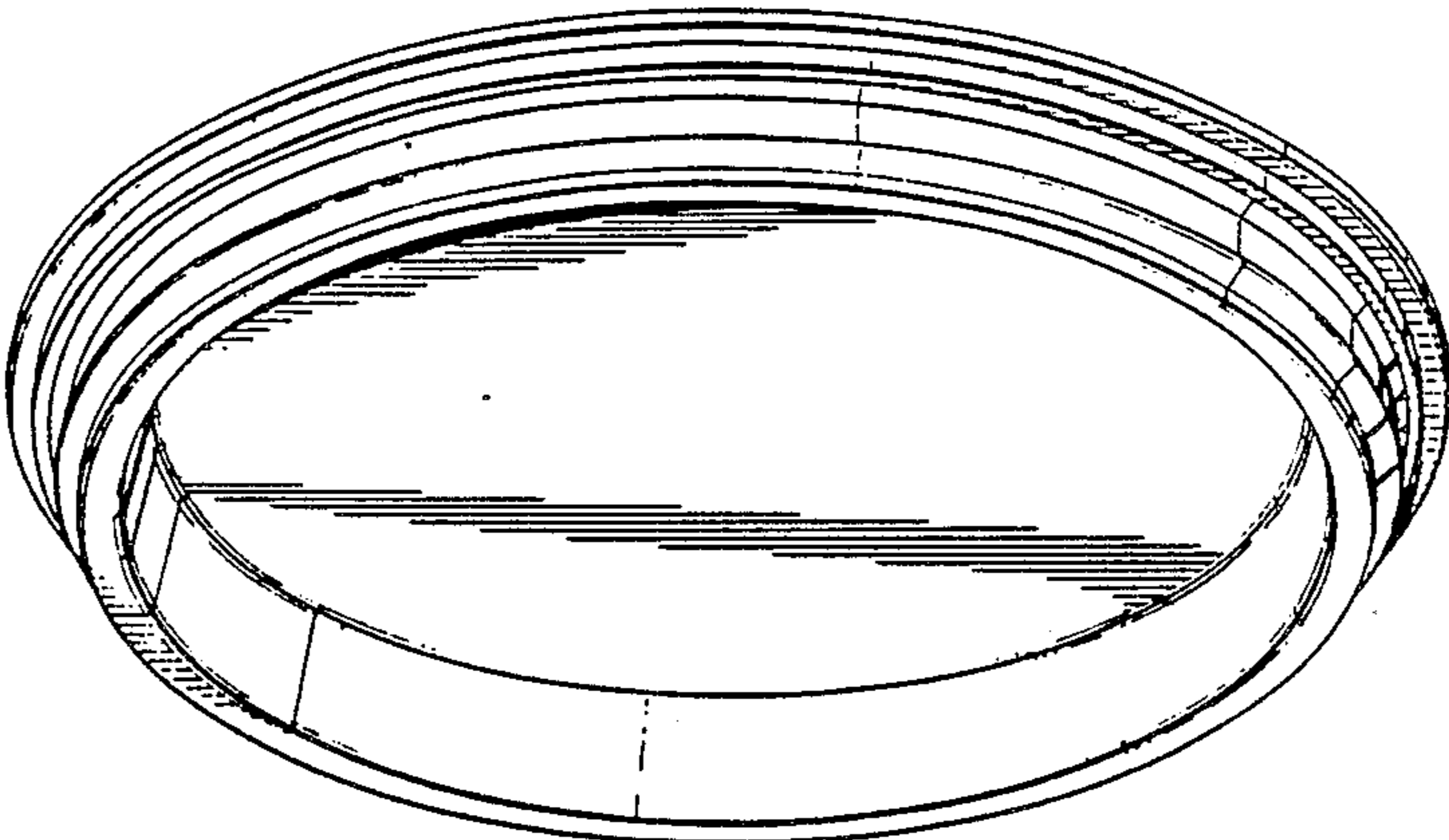


FIG. 5

