

[54] ROD RETAINER OR SIMILAR ARTICLE

[75] Inventors: Yoshimasa Misono, Tokyo; Akio Kikuchi, Tokorozawa, both of Japan

[73] Assignees: Honda Giken Kogyo, Tokyo; Nifco Inc., Yokohama, both of Japan

[**] Term: 14 Years

[21] Appl. No.: 784,350

[22] Filed: Oct. 4, 1985

[30] Foreign Application Priority Data

Apr. 9, 1985 [JP] Japan 60-14053

[52] U.S. Cl. D8/380; 248/74.2

[58] Field of Search 248/73, 74.2; 52/677, 52/684, 689; 24/543, 573, 458; D8/380

[56] References Cited

U.S. PATENT DOCUMENTS

D. 269,155	5/1983	Rose	D8/395 X
D. 277,644	2/1985	TölköD8	394 X/
D. 279,959	8/1985	Nimmo et al.	D8/394 X
2,030,960	2/1936	Barns	D8/380 X
3,216,685	11/1965	Raymond	248/74.2
3,228,640	1/1966	Walsh	248/74.2 X
4,213,589	7/1980	Prerron	248/74.2 X
4,450,605	5/1984	Schäty	248/74.2 X
4,655,424	4/1987	Oshida	248/74.2 X

FOREIGN PATENT DOCUMENTS

1230280	3/1960	France	248/73
1364768	5/1964	France	248/73
1144348	3/1969	United Kingdom	248/74.2

Primary Examiner—Horace B. Fay
Attorney, Agent, or Firm—Trexler, Bushnell, Giangiorgi & Blackstone, Ltd.

[57] CLAIM

The ornamental design for a rod retainer or similar article, as shown and described.

DESCRIPTION

FIG. 1 is a left side, top and front perspective view of a rod retainer or similar article, showing our new design; FIG. 2 is a left side elevational view thereof, with a rod retained therewithin relative to a panel, and with the rod and panel shown in broken lines for illustrative purposes only, and forming no part of the claimed design; FIG. 3 is a top plan view thereof; FIG. 4 is a bottom plan view thereof; FIG. 5 is a front elevational view thereof; FIG. 6 is a rear elevational view thereof; FIG. 7 is a left side elevational view thereof; and, FIG. 8 is a cross-sectional view taken in the direction of the arrows on line 8—8 of FIG. 5.

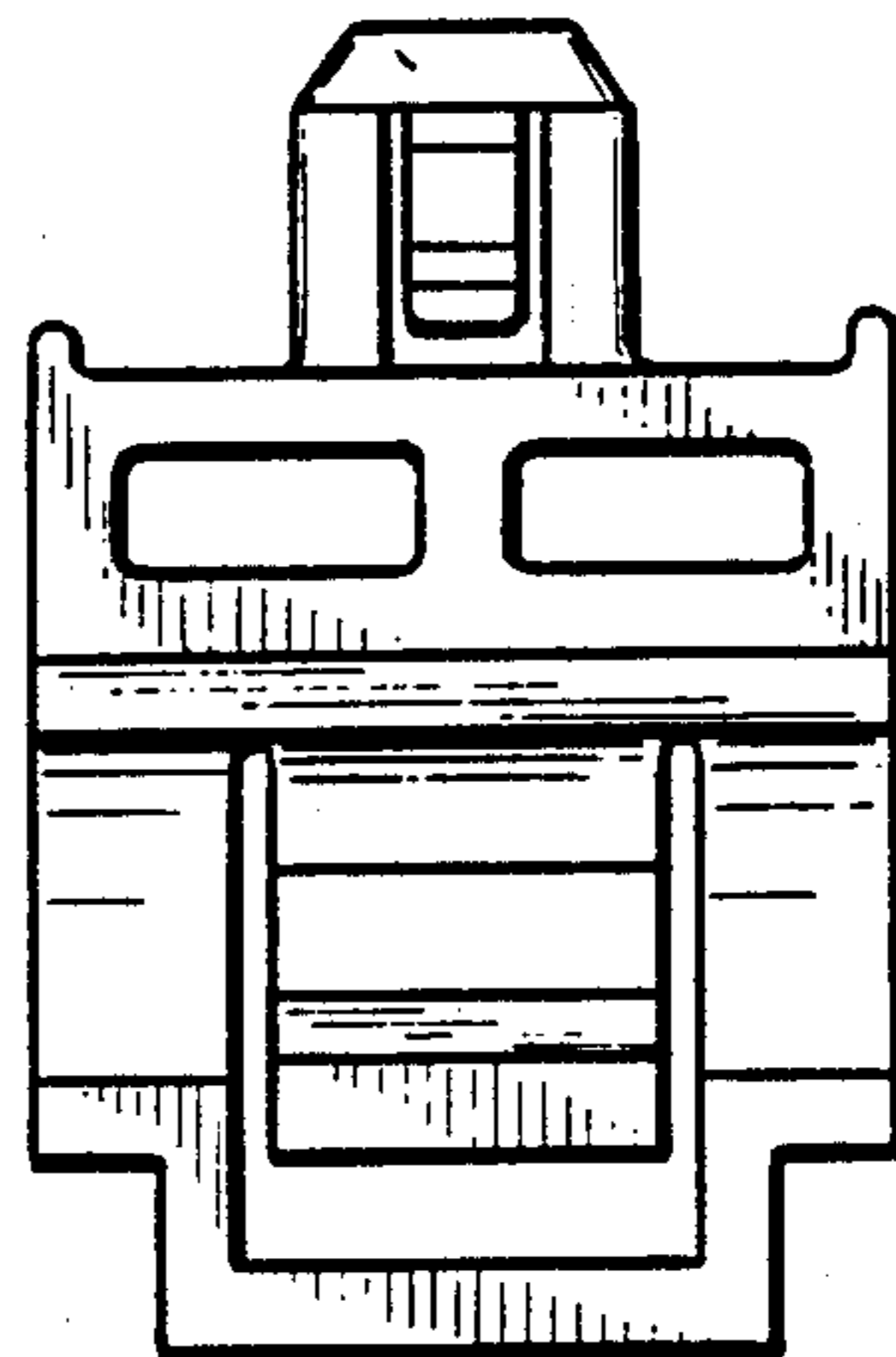
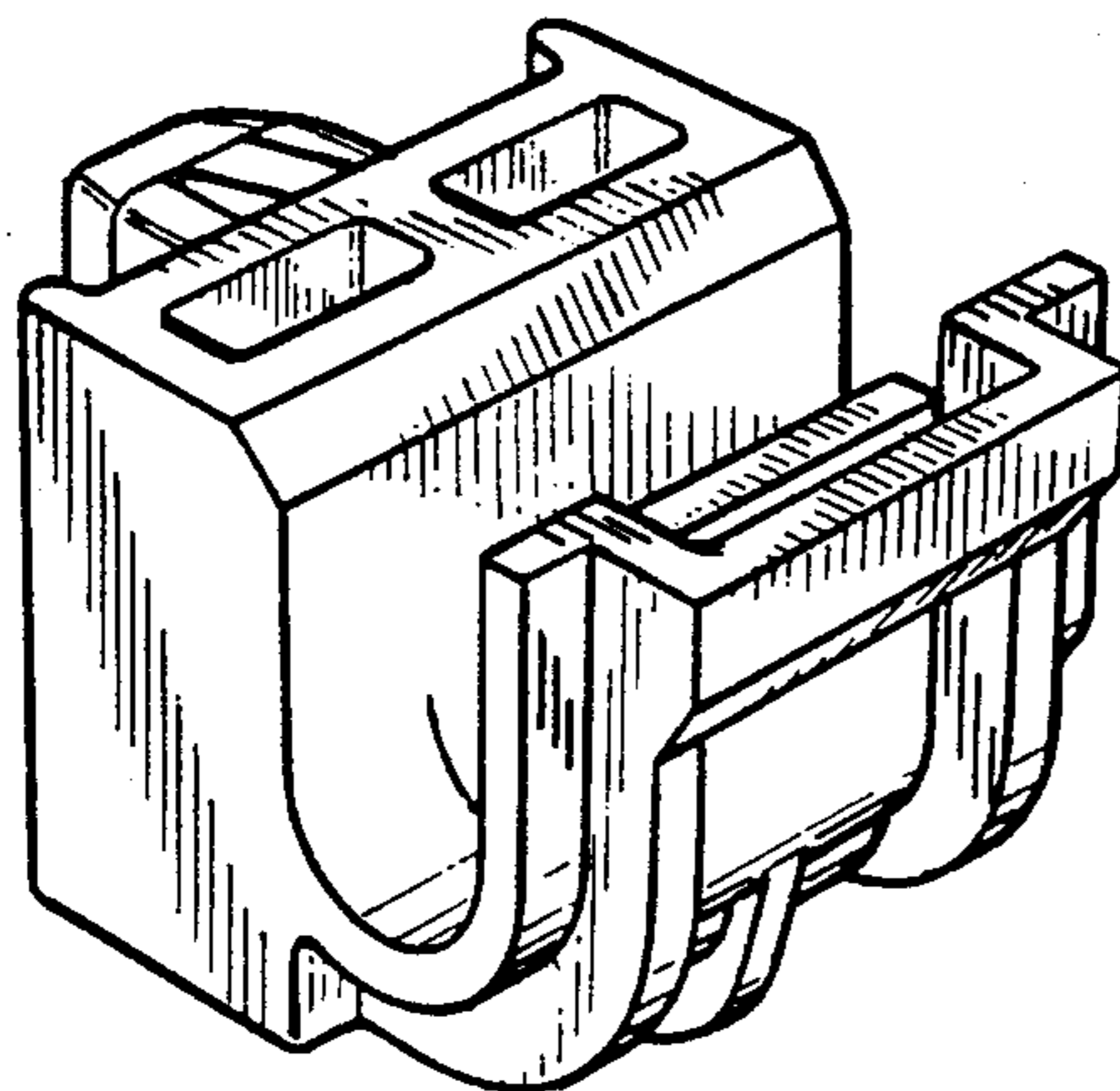


FIG. 1

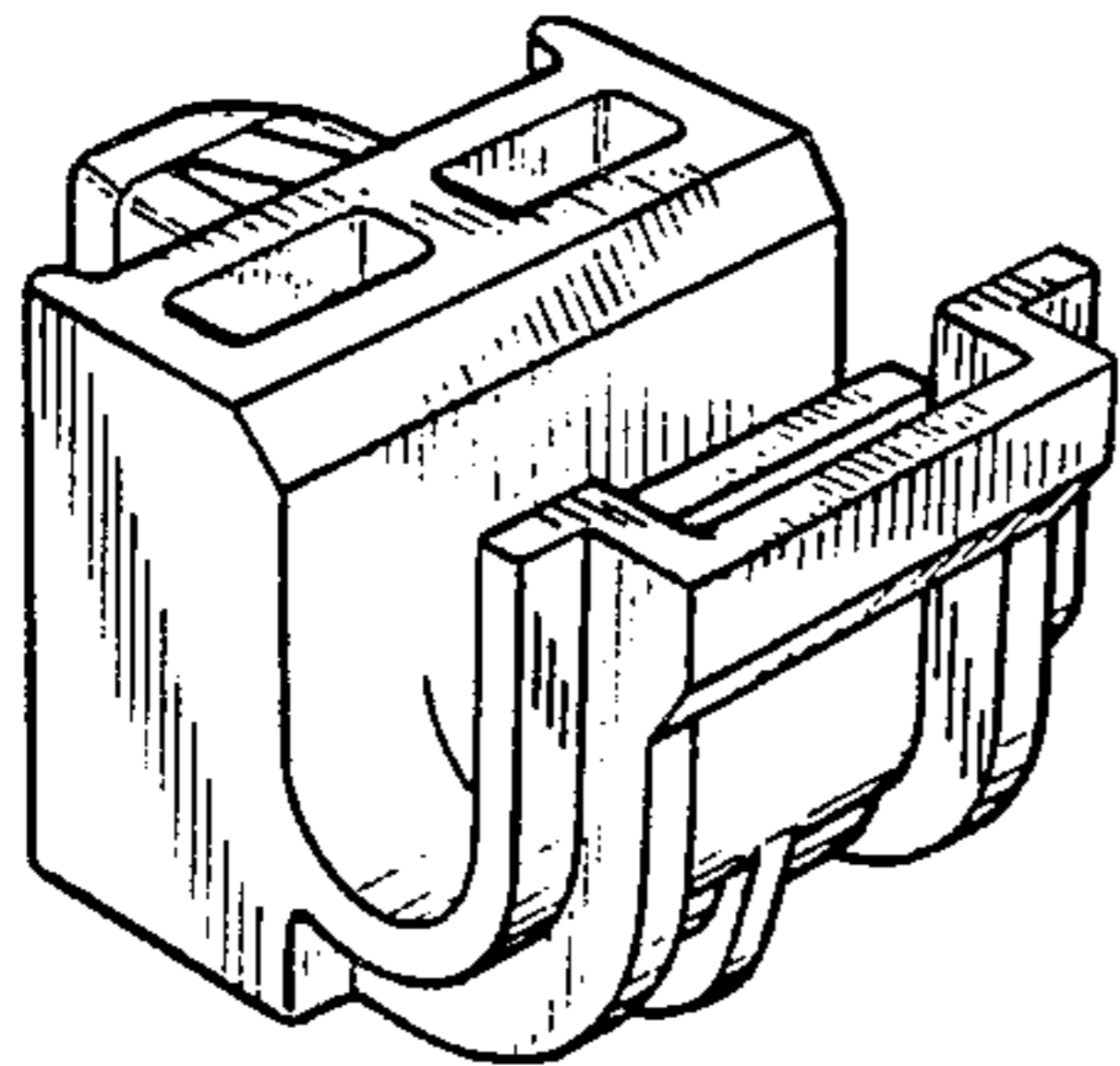


FIG. 3

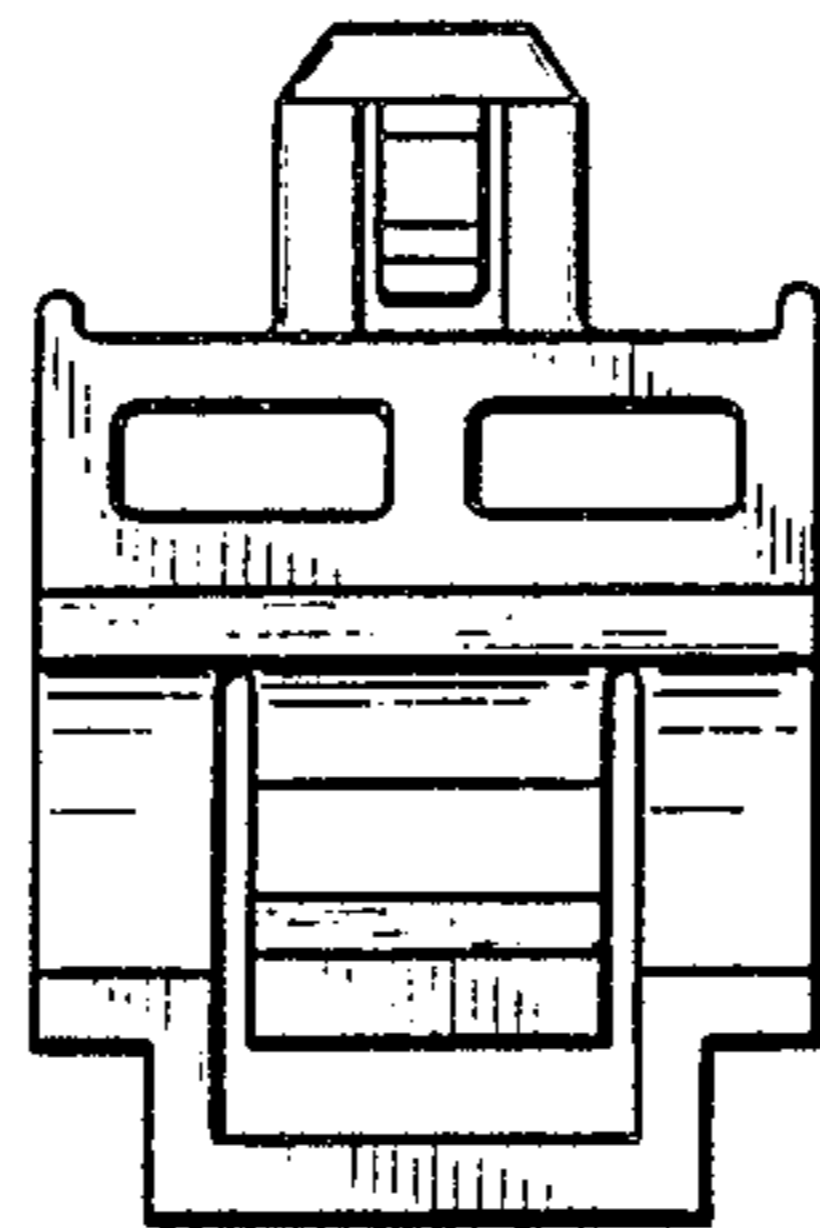


FIG. 4

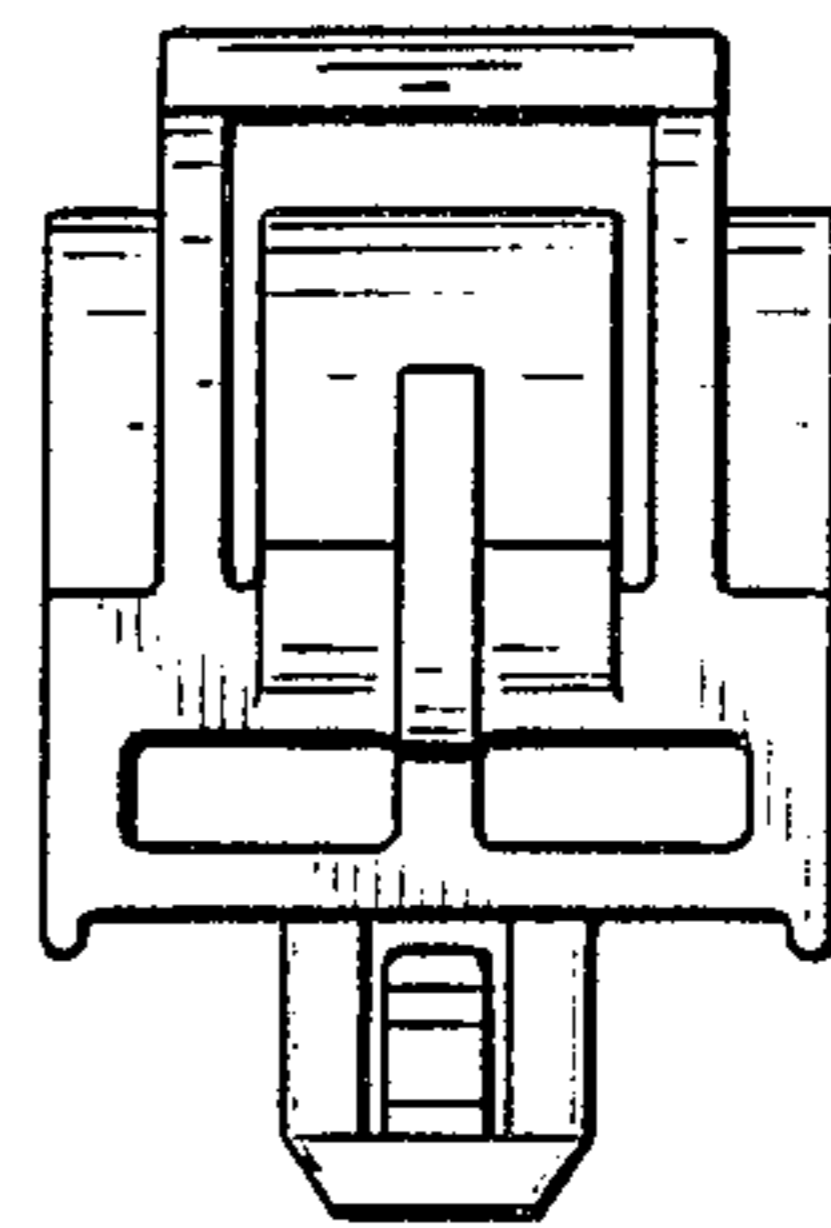


FIG. 2

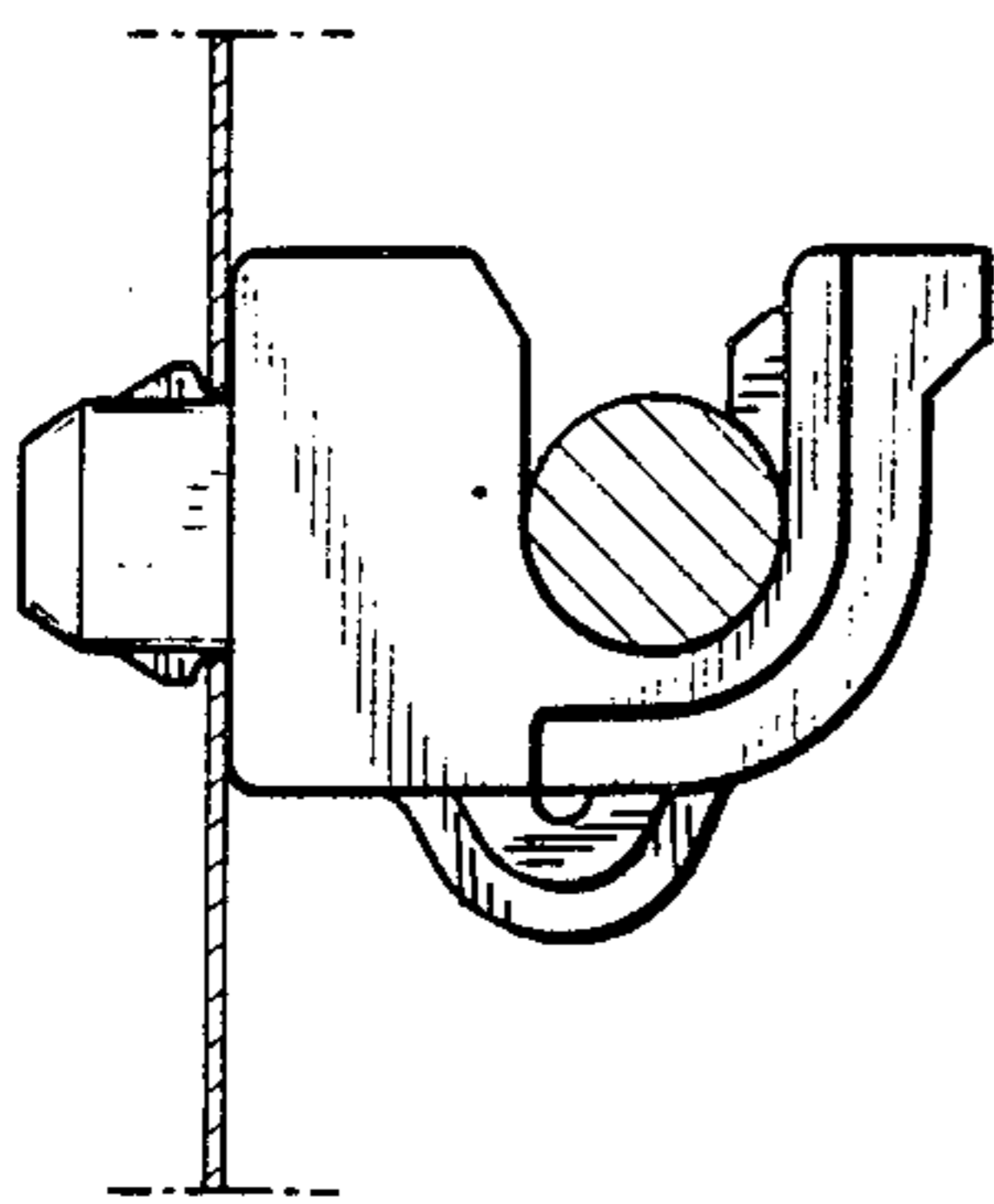


FIG. 5

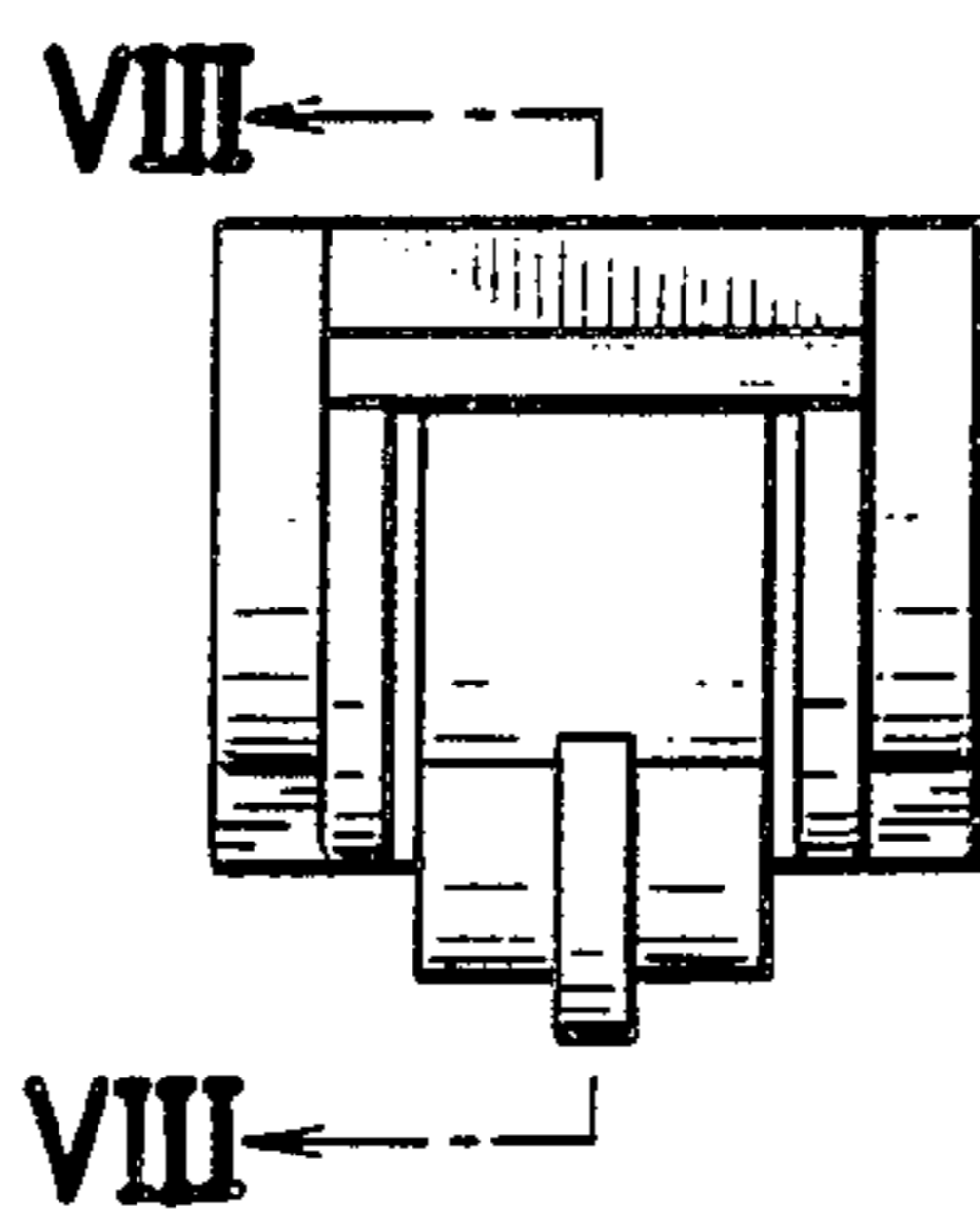


FIG. 6

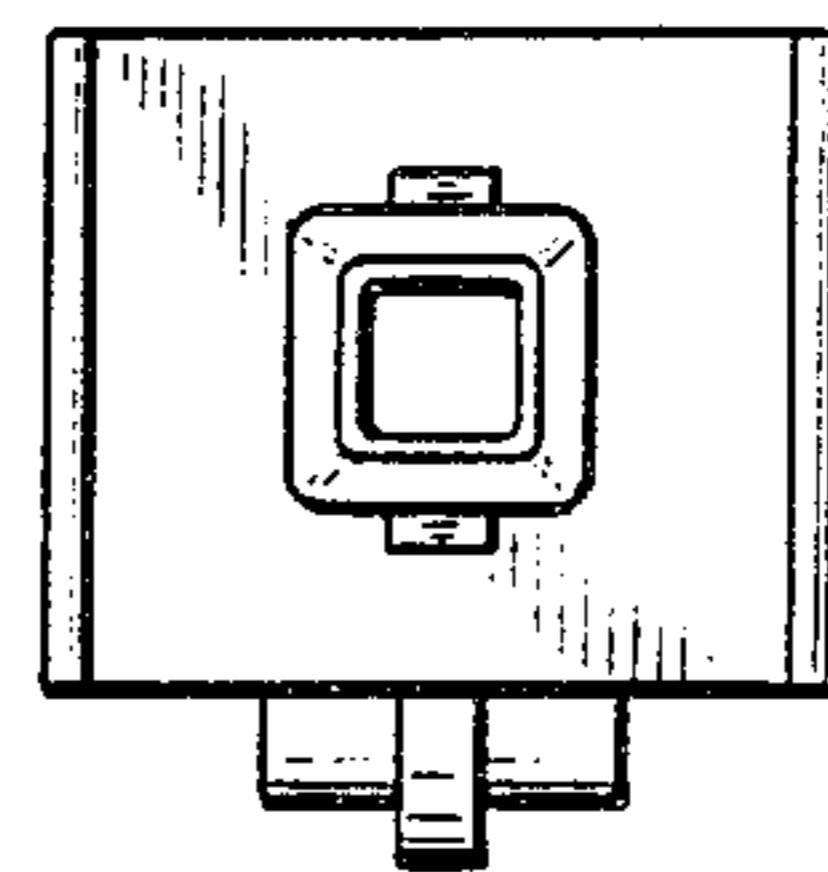


FIG. 8

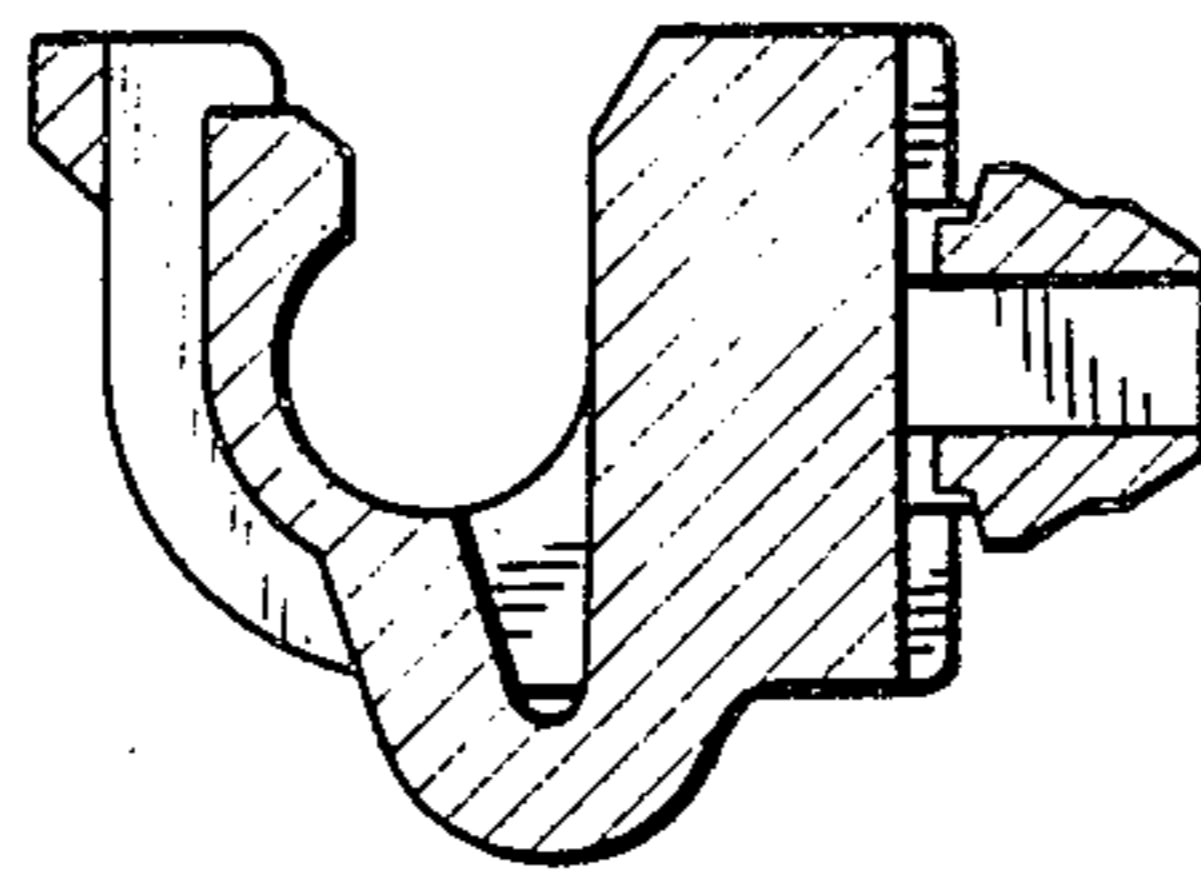


FIG. 7

