

[54] ELECTRIC METER LOCK RING

4,611,478 9/1986 Carlson et al. .... 70/164  
4,674,304 6/1987 Guiler ..... 70/164

[76] Inventor: Norman B. DeWalch, 1213 W. Loop  
North, Suite 180, Houston, Tex.  
77055

[\*\*] Term: 14 Years

[21] Appl. No.: 786,832

[22] Filed: Oct. 11, 1985

[52] U.S. Cl. .... D8/333

[58] Field of Search ..... D8/330-331,  
D8/333-335, 341, 346; 70/158, 163-164

[56] References Cited

U.S. PATENT DOCUMENTS

958,706	5/1910	Chambless .....	70/20
3,828,593	8/1974	Bolton .....	70/181 X
3,867,822	2/1975	Morse .....	70/164
4,008,585	2/1977	Lundberg .....	70/232 X
4,158,953	6/1979	Nielsen .....	70/164
4,331,012	5/1982	Swisher .....	70/164
4,413,490	11/1983	Nielsen .....	70/164

OTHER PUBLICATIONS

Sterling Rotary Shackle Padlock—brochure.

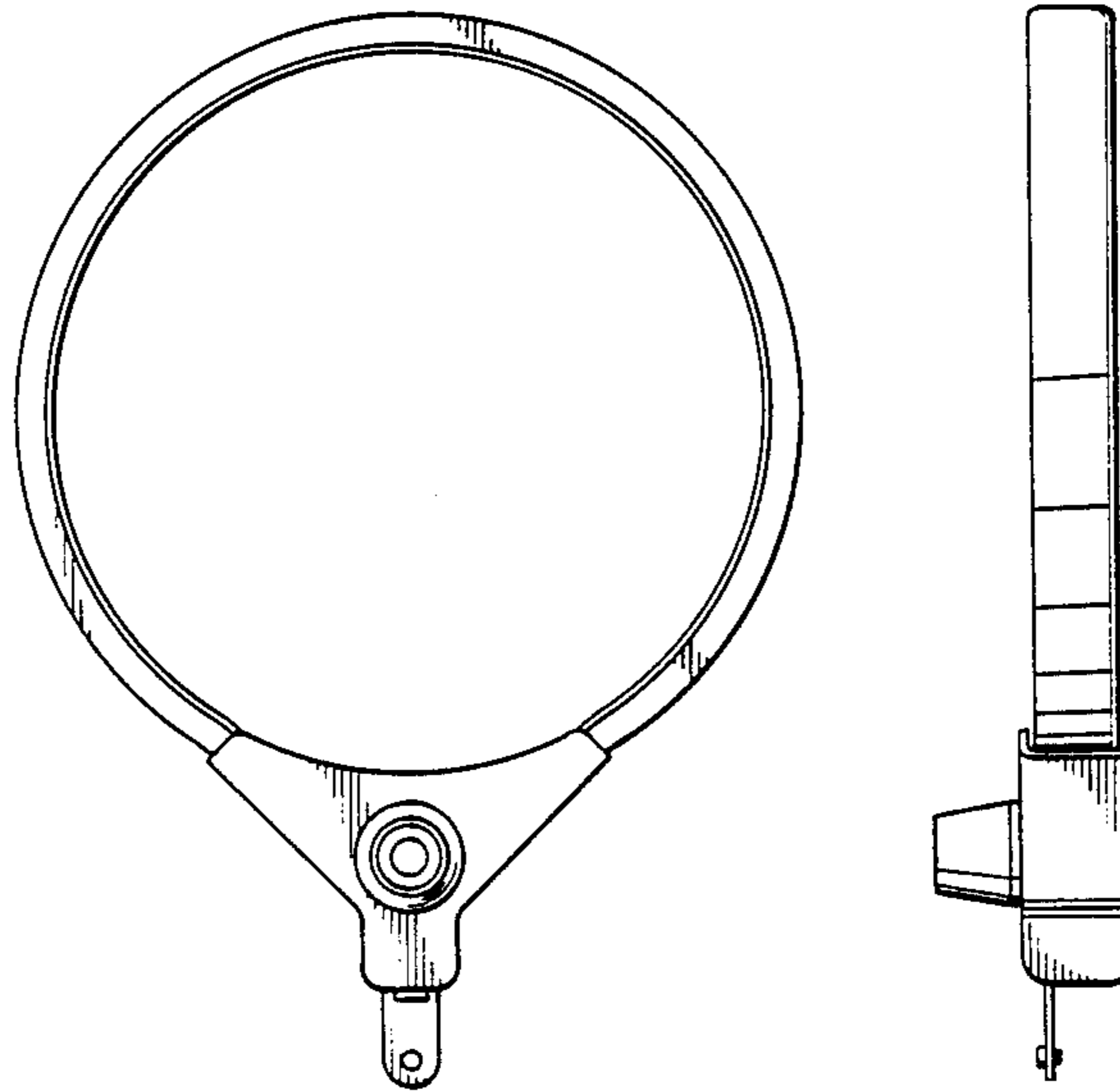
Primary Examiner—Wallace R. Burke  
Assistant Examiner—Brian N. Vinson  
Attorney, Agent, or Firm—Paul L. DeVerter, II

[57] CLAIM

The ornamental design for an electric meter lock ring, as shown and described.

DESCRIPTION

FIG. 1 is a front elevational view of an electric meter lock ring showing my new design;  
FIG. 2 is a right side elevational view thereof, the left side being a mirror image;  
FIG. 3 is a rear elevational view thereof;  
FIG. 4 is a bottom plan view thereof, the top being substantially similar in appearance; and  
FIG. 5 is a partial sectional view taken in the direction of the line 5—5 of FIG. 3.



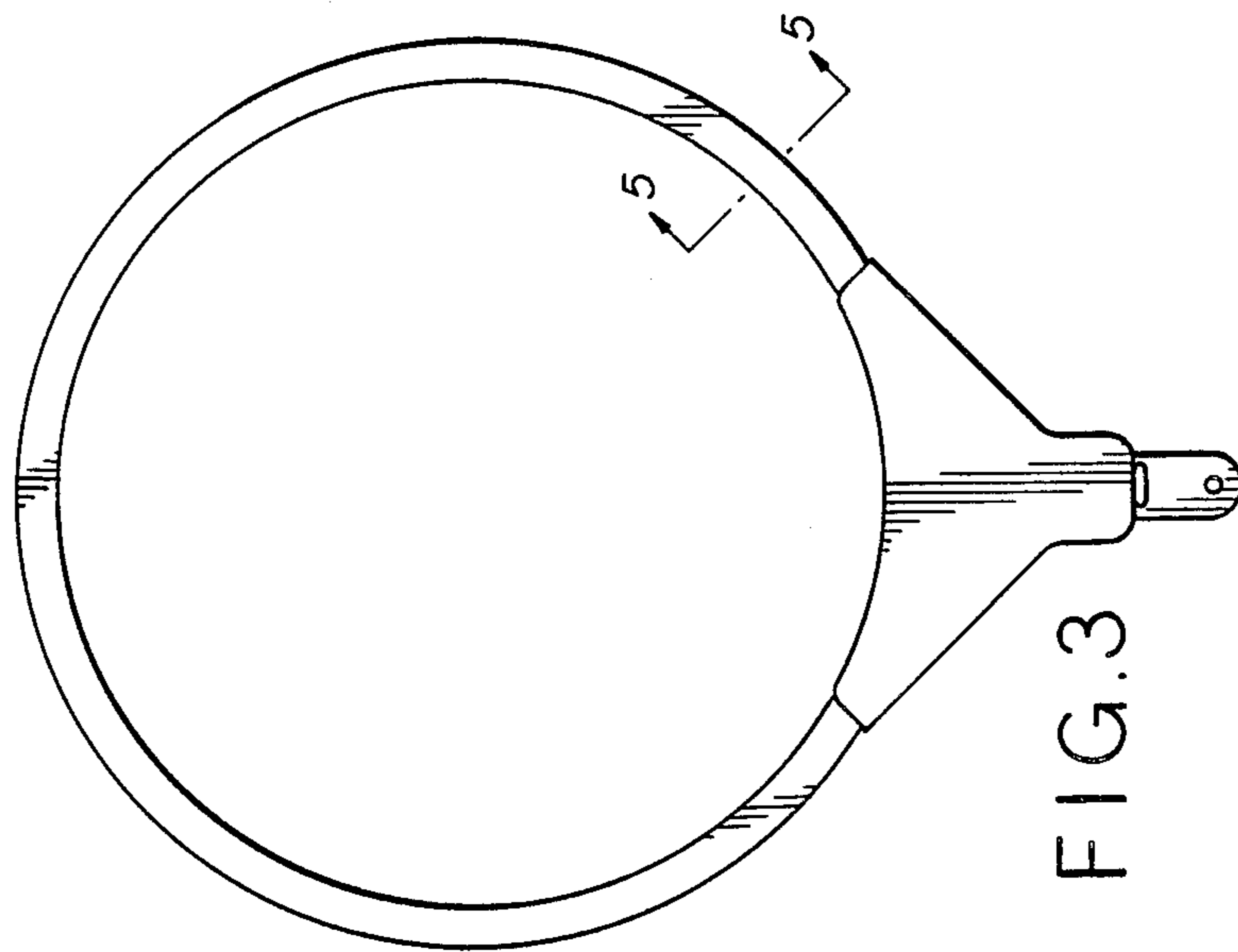


FIG. 1

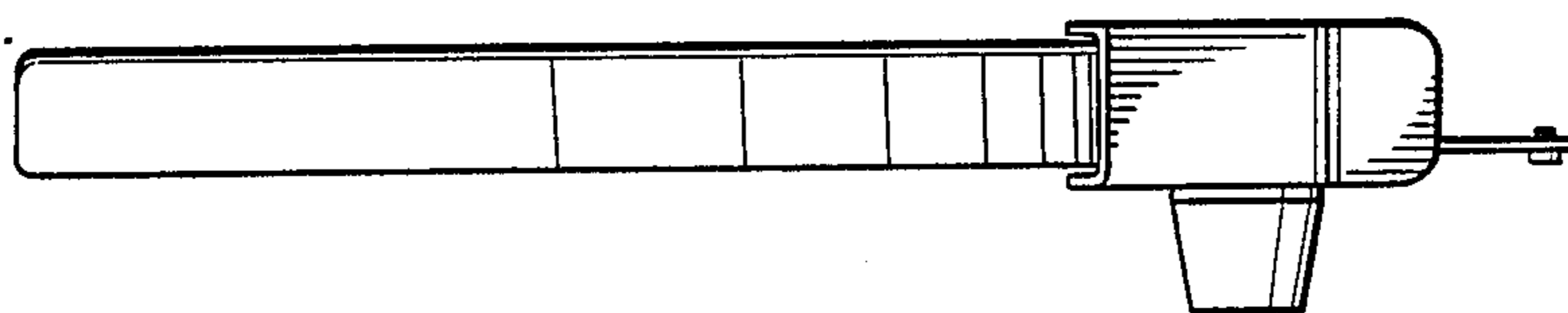


FIG. 2

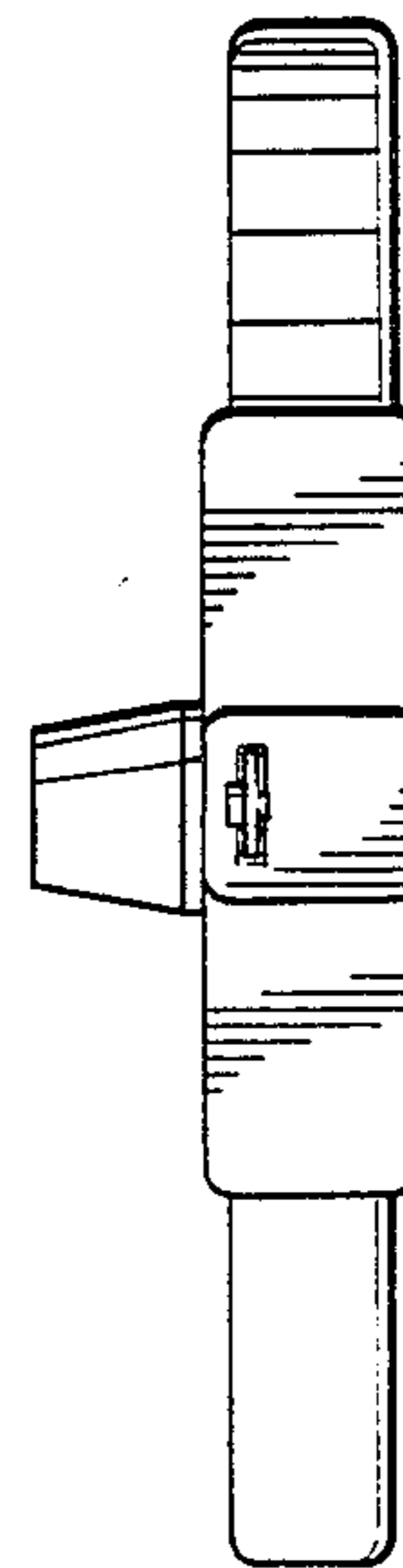


FIG. 3



FIG. 4



FIG. 5